

US00D382245S

United States Patent [19]

[11] Patent Number: **Des. 382,245**

Bedrosian et al.

[45] Date of Patent: ****Aug. 12, 1997**

[54] TAIL LIGHT BRACKET FOR MOTORCYCLE

OTHER PUBLICATIONS

[76] Inventors: **Yerchanik Bedrosian**, 9618 Tujunga Canyon Blvd., Tujunga, Calif. 91042; **Ara Bedrosian; Shant Bedrosian**, both of 12670 Pierce St., Pacoima, Calif. 91331

Drag Specialties, 1987, p. 242, taillight bracket—item A located at top right corner of page.

Primary Examiner—Holly Baynham
Attorney, Agent, or Firm—Kelly, Bauersfeld, Lowry & Kelley

[**] Term: **14 Years**

[57] CLAIM

[21] Appl. No.: **48,556**

The ornamental design for a tail light bracket for motorcycle, as shown.

[22] Filed: **Jan. 3, 1996**

DESCRIPTION

[51] LOC (6) Cl. **12-06**

[52] U.S. Cl. **D12/223; D8/354**

[58] Field of Search D8/349, 354, 380;
D12/162, 223, 114; 248/300, 200, 27.1;
280/495, 96.1

FIG. 1 is a perspective view from the front, left side and top of a tail light bracket for motorcycle embodying our new design;

FIG. 2 is a right side elevational view thereof;

FIG. 3 is a left side elevational view thereof;

FIG. 4 is a front elevational view thereof;

FIG. 5 is rear elevational view thereof;

FIG. 6 is a top plan view thereof; and,

FIG. 7 is a bottom plan view thereof.

[56] References Cited

U.S. PATENT DOCUMENTS

D. 226,808 5/1973 Rollins D8/380 X
4,108,414 8/1978 Grant, Sr. 248/300

1 Claim, 1 Drawing Sheet

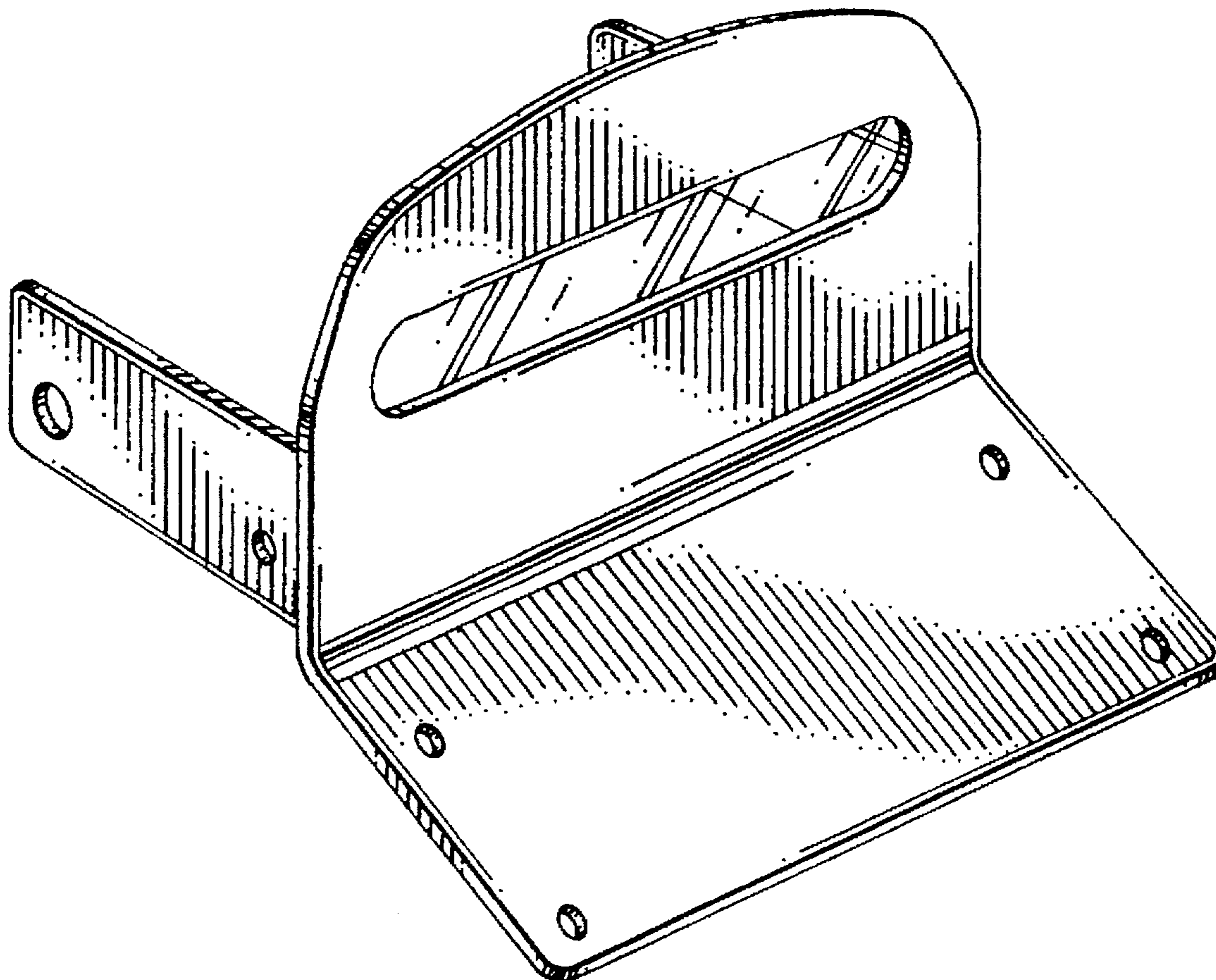


FIG. 1

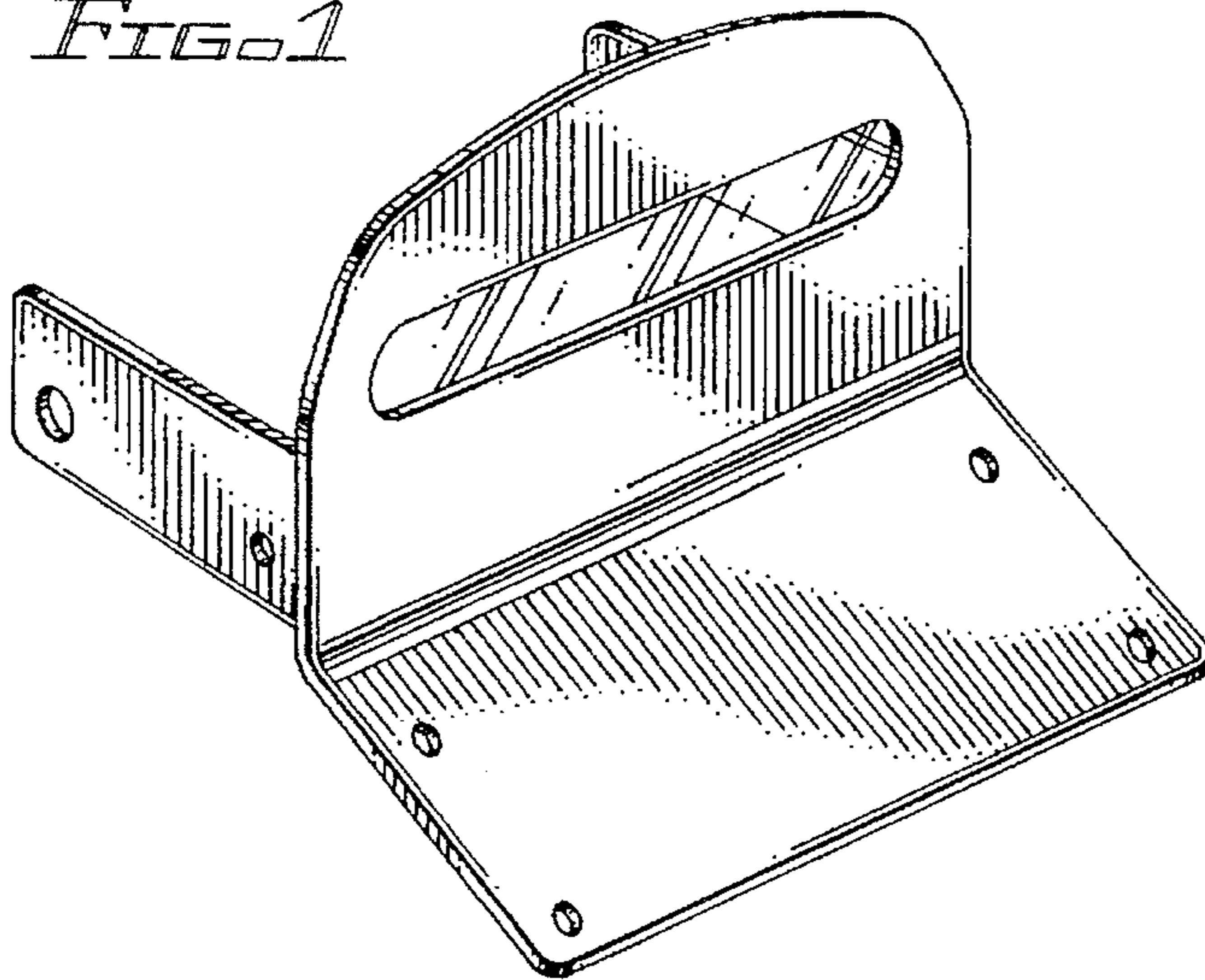


FIG. 2

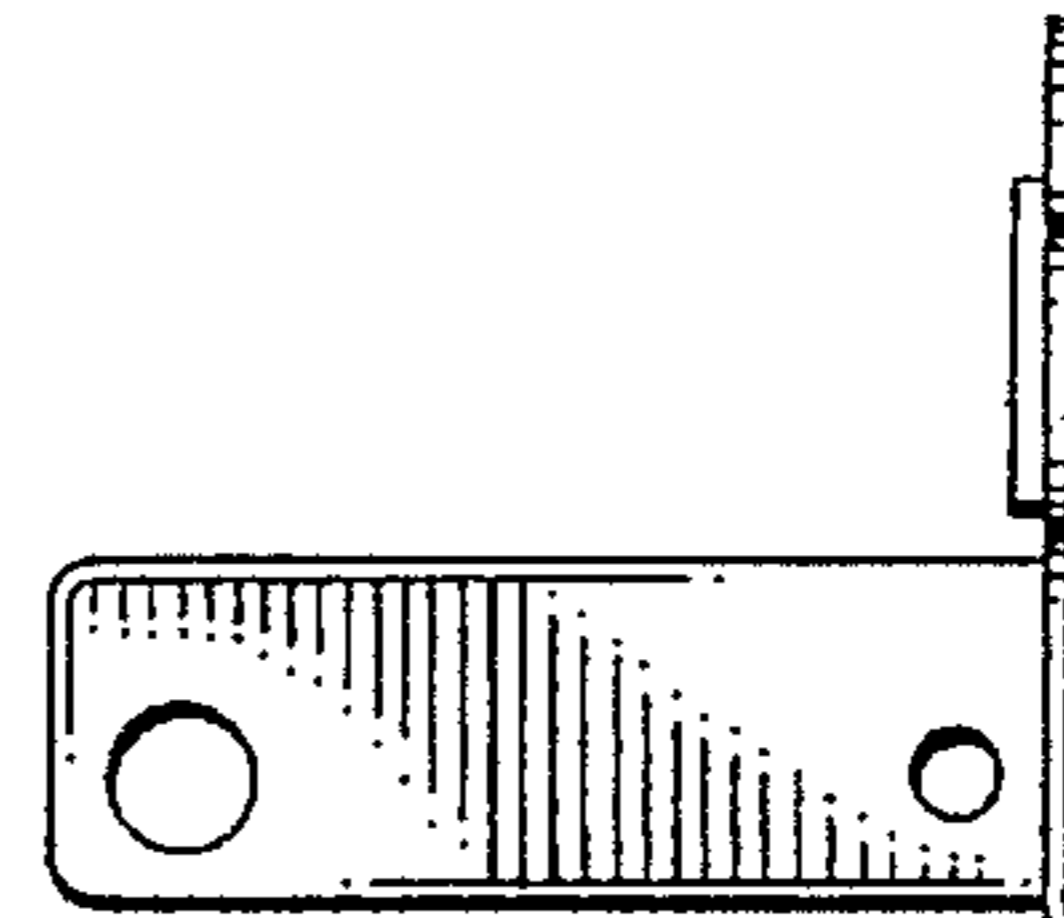
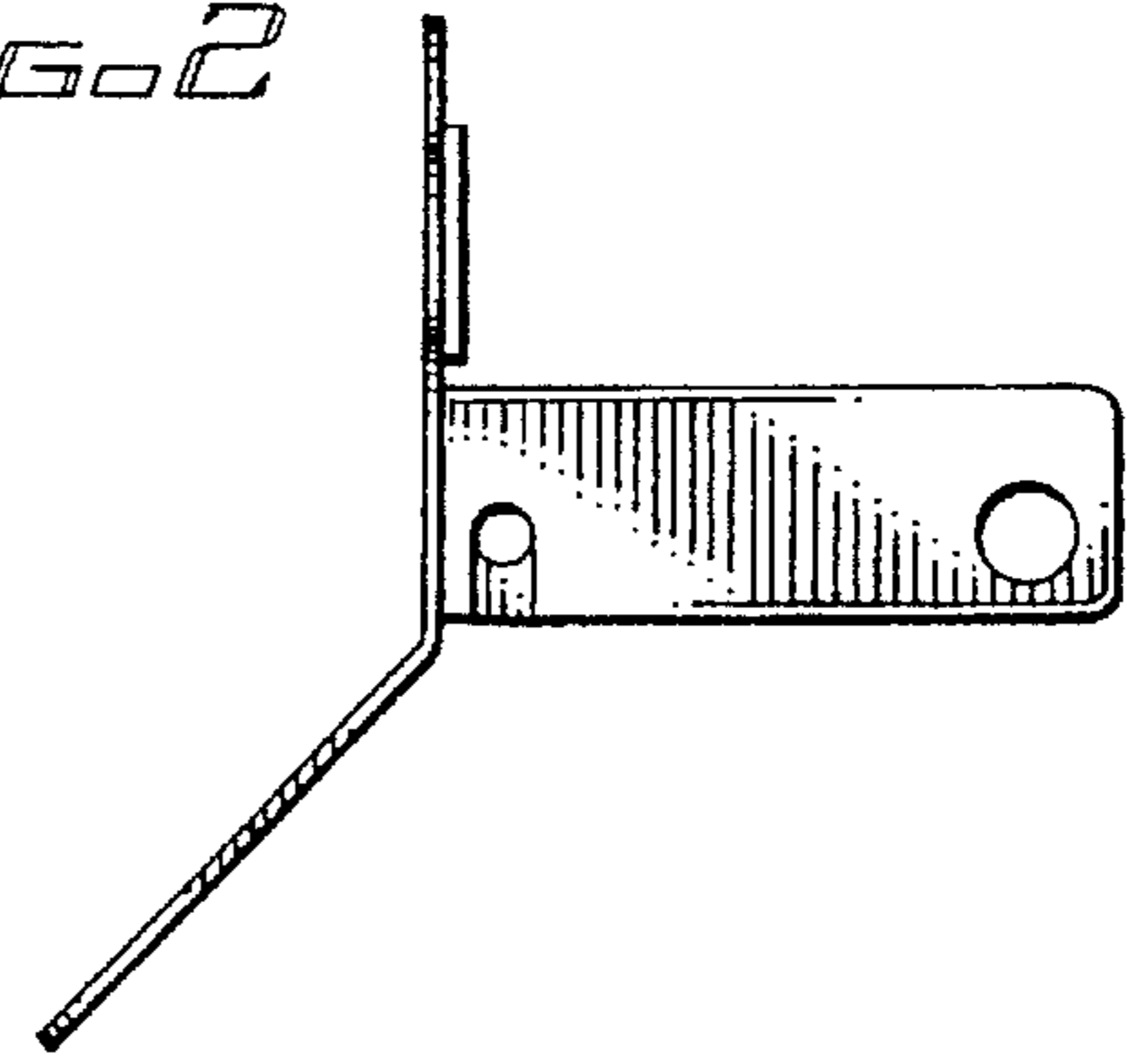


FIG. 3

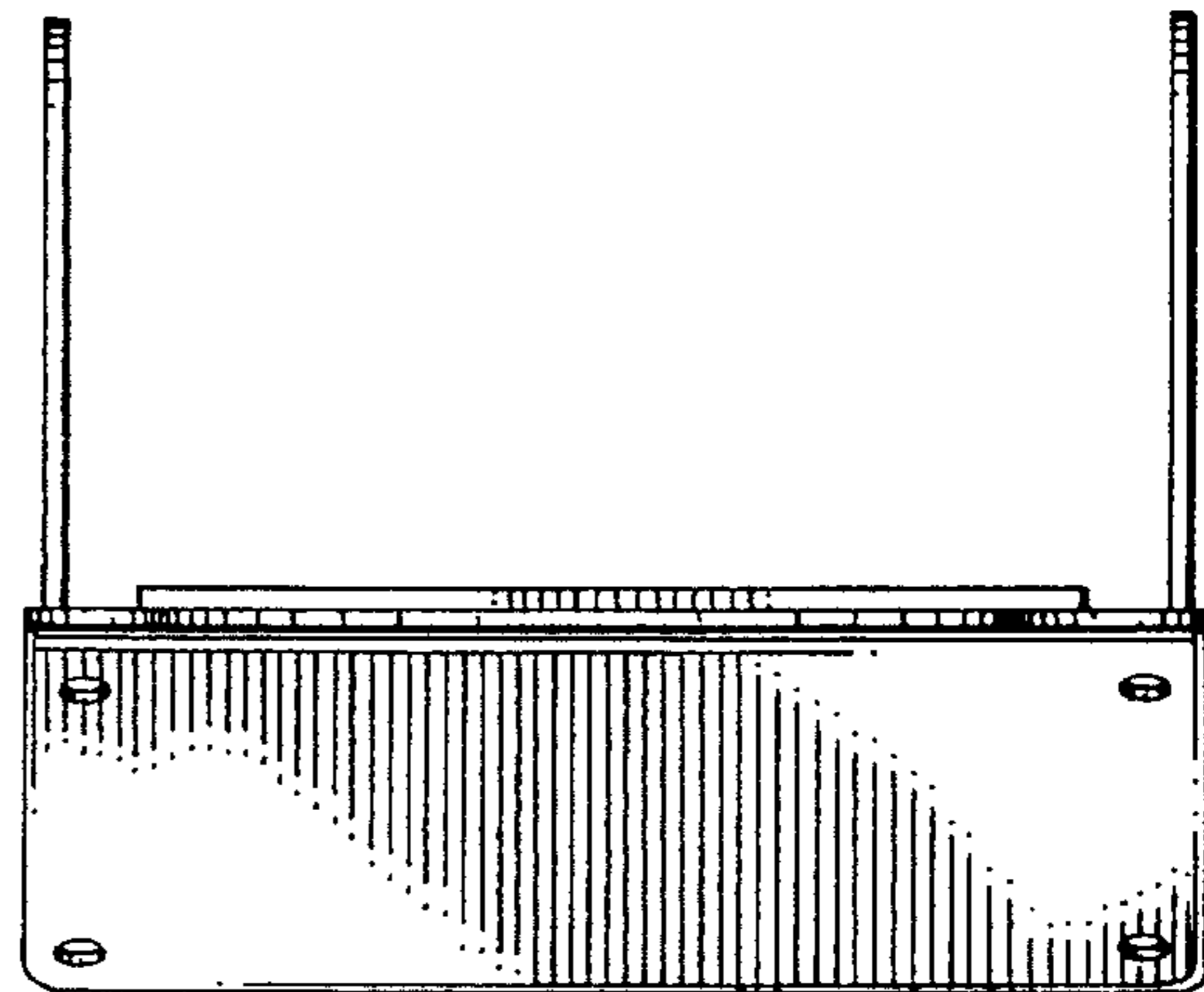


FIG. 4

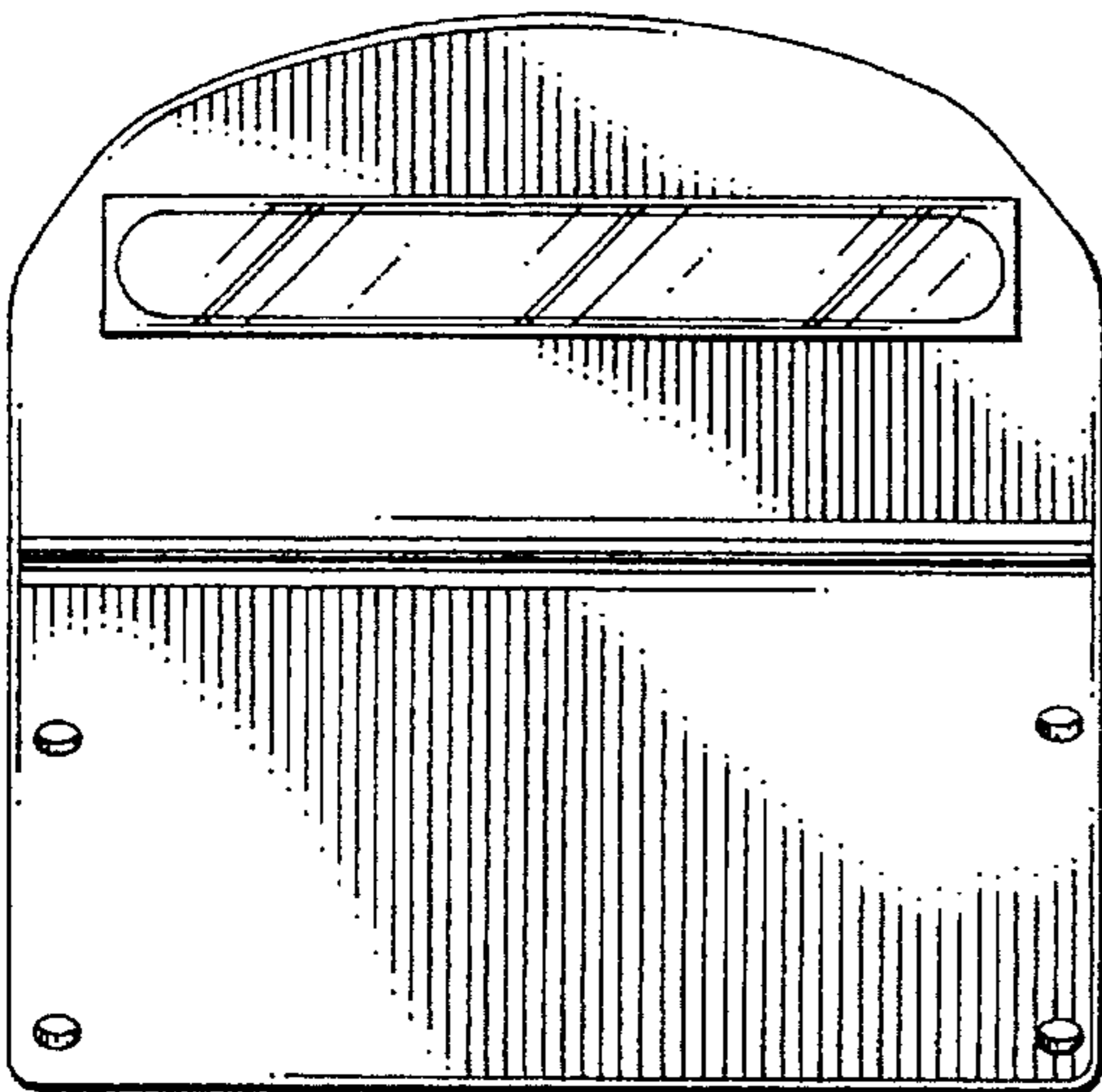


FIG. 6

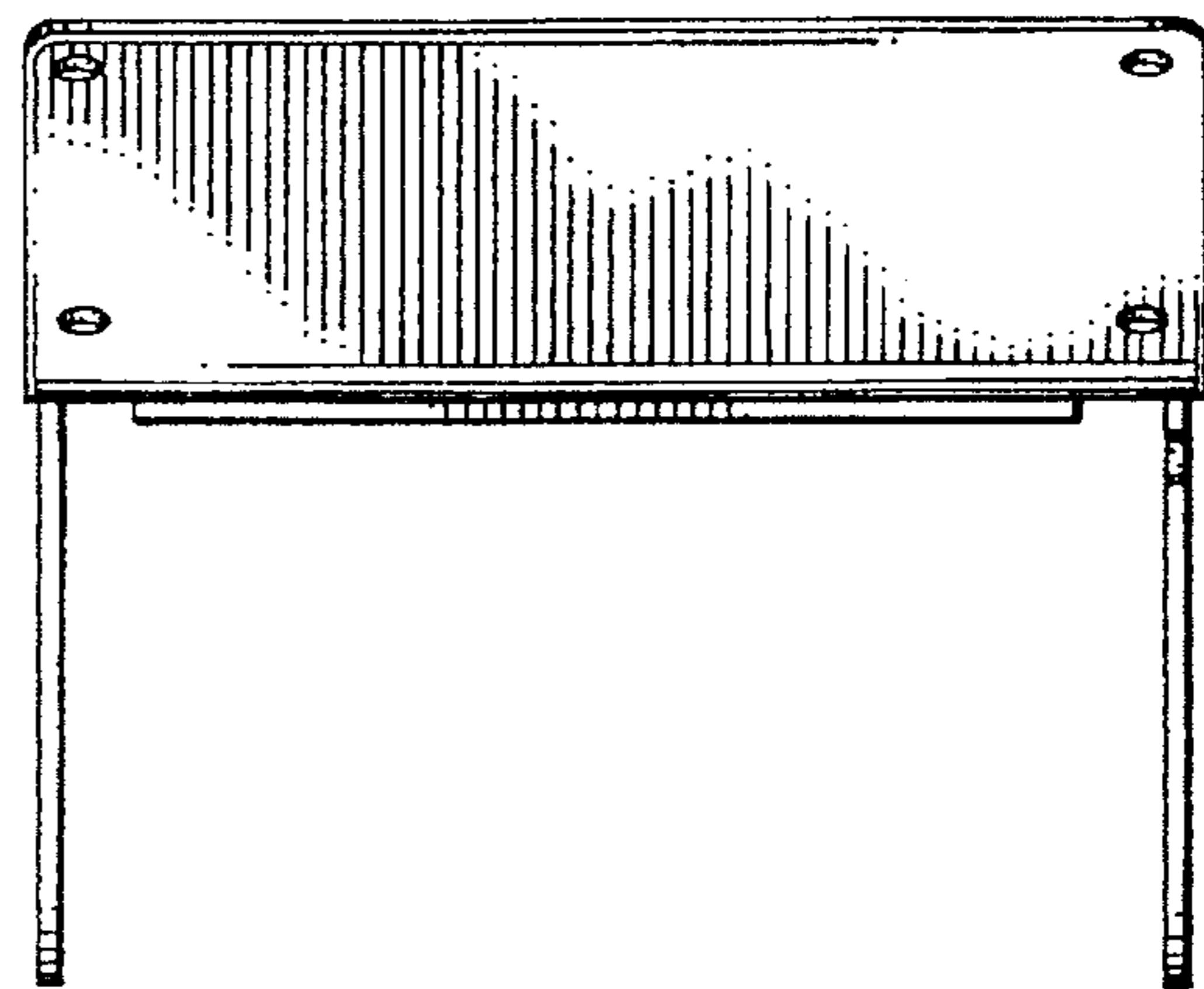


FIG. 5

FIG. 7

