



US00D382244S

United States Patent [19] Niles

[11] Patent Number: **Des. 382,244**

[45] Date of Patent: ****Aug. 12, 1997**

[54] **FRONT FACE OF A VEHICLE WHEEL**

[76] Inventor: **Ellsworth Niles**, 627 Columbus Ave.,
Boston, Mass. 02115

[*] Notice: The portion of the term of this patent
subsequent to Dec. 17, 2010, has been
disclaimed.

[**] Term: **14 Years**

[21] Appl. No.: **40,031**

[22] Filed: **Jun. 8, 1995**

[51] LOC (6) Cl. **12-16**

[52] U.S. Cl. **D12/211**

[58] Field of Search D12/205, 209,
D12/211; 301/64.1, 64.7, 65

[56] **References Cited**

U.S. PATENT DOCUMENTS

D. 46,710 11/1914 West D12/205

D. 268,260	3/1983	Kershbaum et al.	D12/209
D. 284,073	6/1986	Flodman	D12/211
328,555	10/1885	Wing	301/65
361,914	4/1887	Wing	D12/205
1,521,834	1/1925	Raymond	301/65

Primary Examiner—Freda Nunn

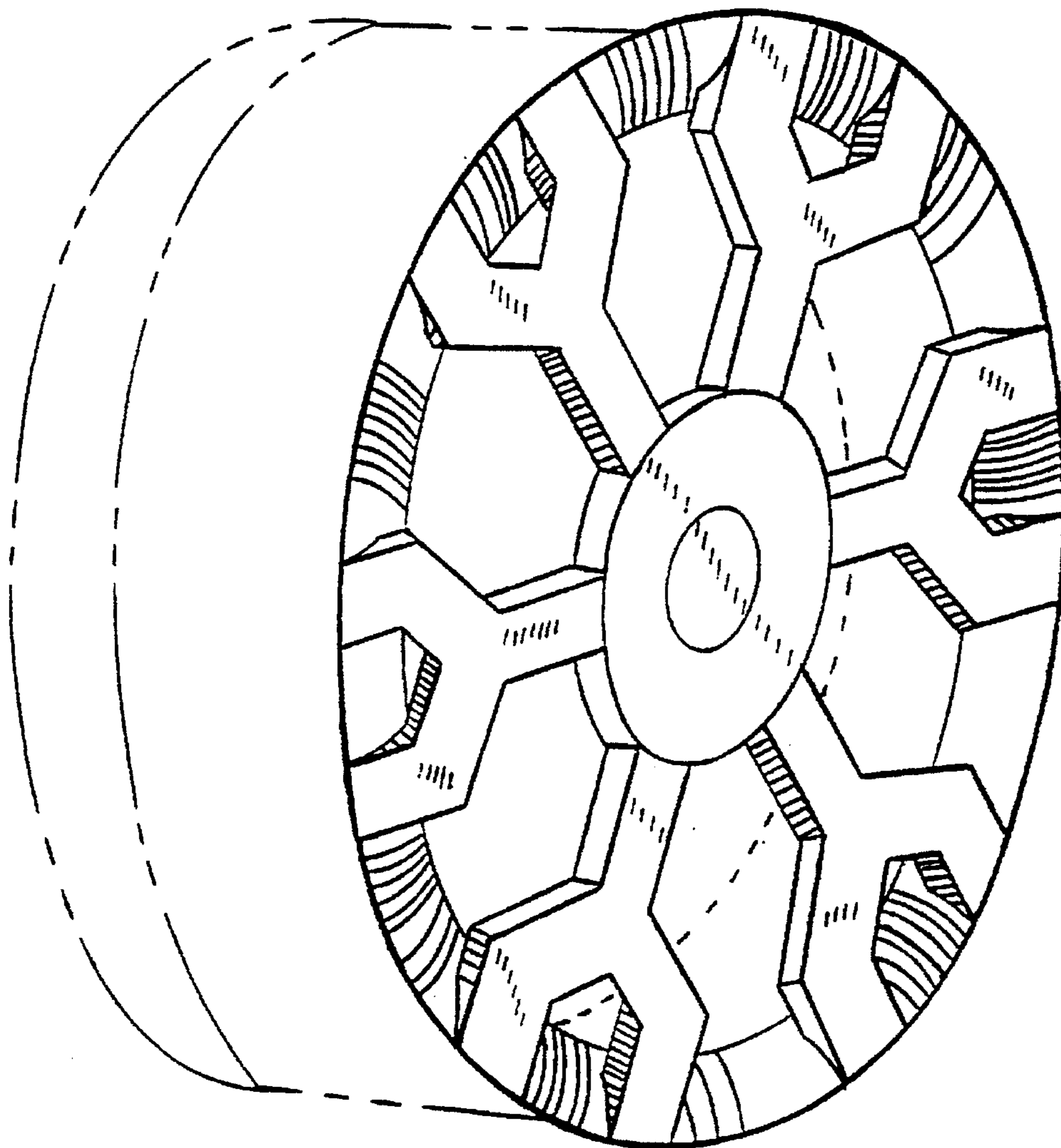
[57] **CLAIM**

The ornamental design for the front face of a vehicle wheel,
as shown and described.

DESCRIPTION

FIG. 1 is a front elevation view of the front face of a vehicle
wheel showing my new design; and,
FIG. 2 is a front perspective view thereof, it being under-
stood that the broken line showing of the outer surface of the
rim is for illustrative purposes only and forms no part of the
claimed design.

1 Claim, 2 Drawing Sheets



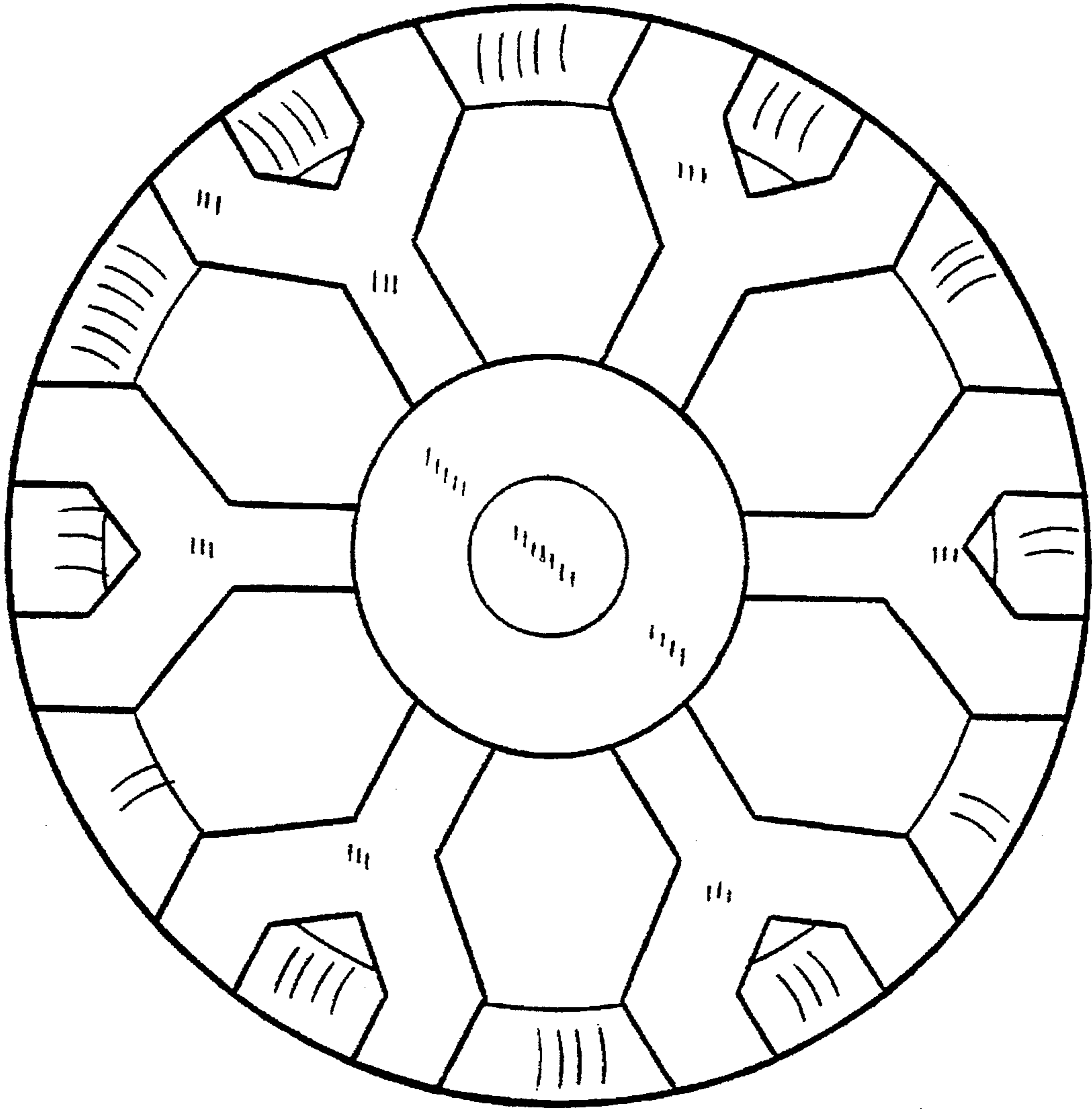


FIG. 1

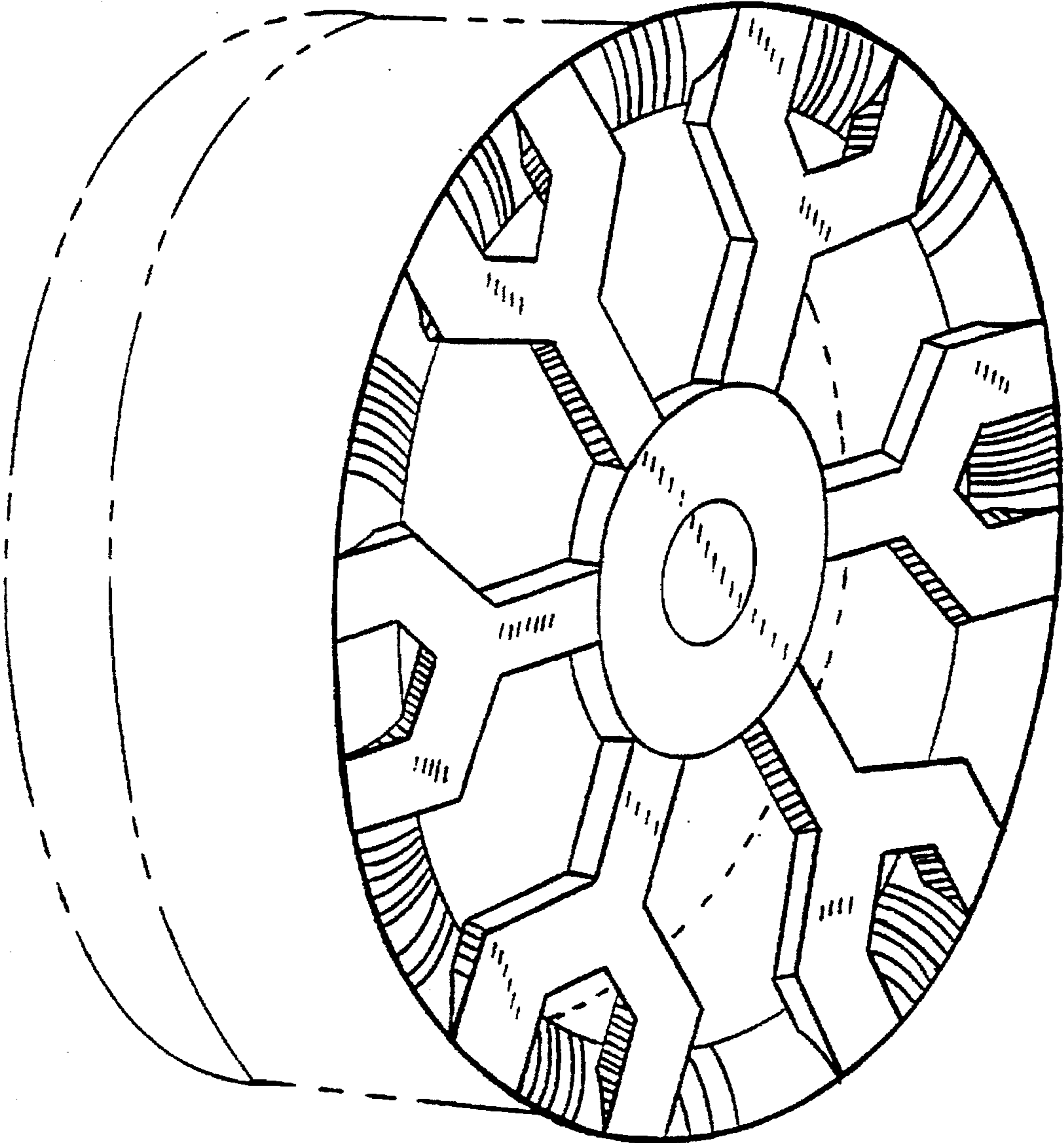


FIG. 2