



US00D382234S

United States Patent [19]
Hinkston

[11] **Patent Number: Des. 382,234**
[45] **Date of Patent: **Aug. 12, 1997**

[54] **AXLE AND BASE FRAME OF COLLAPSIBLE
BABY JOGGING STROLLER**

D. 350,923 9/1994 Schmidlin et al. D12/129
D. 369,579 5/1996 Baechler D12/129
5,188,389 2/1993 Baechler et al. 280/650

[76] Inventor: **Paul Hinkston**, 2554 Lincoln Blvd.,
#73, Marina del Ray, Calif. 90292

Primary Examiner—Kay H. Chin
Attorney, Agent, or Firm—Edward E. Roberts

[**] Term: **14 Years**

[57] **CLAIM**

[21] Appl. No.: **56,219**

The ornamental design for a axle and base frame of col-
lapsible baby jogging stroller, as shown.

[22] Filed: **Jun. 24, 1996**

DESCRIPTION

Related U.S. Application Data

[62] Division of Ser. No. 28,409, Sep. 14, 1994, Pat. No. Des.
371,094.

FIG. 1 is a perspective view of a collapsible baby jogging
stroller showing my new design;

[51] **LOC (6) Cl.** **12-12**

FIG. 2 is a front elevational view thereof;

[52] **U.S. Cl.** **D12/133; D34/27**

FIG. 3 is a back elevational view thereof;

[58] **Field of Search** D12/129, 128;
D34/12, 27; 280/650, 657, 658, 47.38,
647

FIG. 4 is a top view thereof; and

FIG. 5 is a side elevational view thereof; and,

FIG. 6 is a sectional view showing the ovate configuration
of the tubes designated.

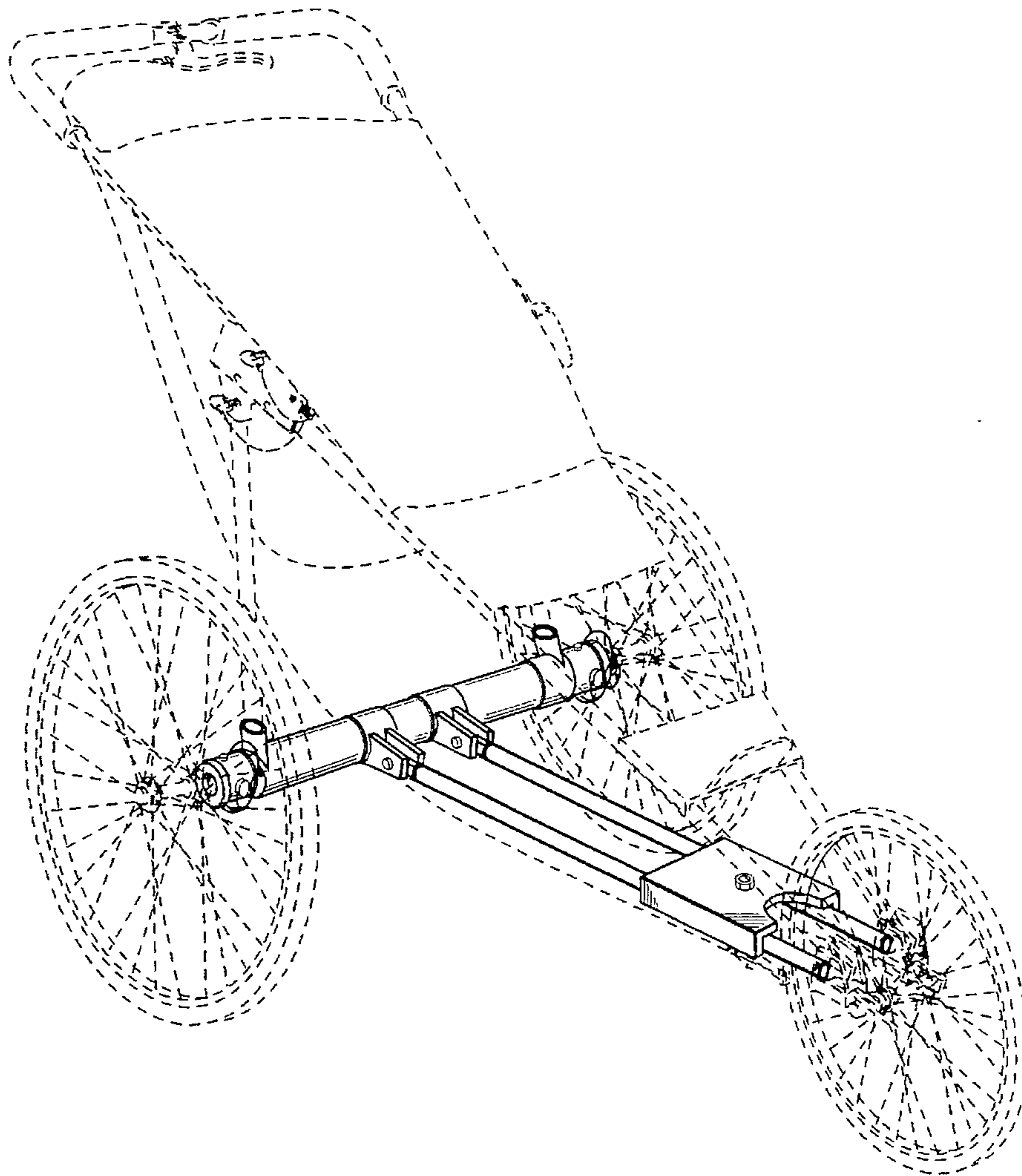
The broken lines shown in FIGS. 1 through 5 are for
illustrative purposes only and form no part of the claimed
design.

[56] **References Cited**

U.S. PATENT DOCUMENTS

D. 297,525 9/1988 Baechler D12/129

1 Claim, 3 Drawing Sheets



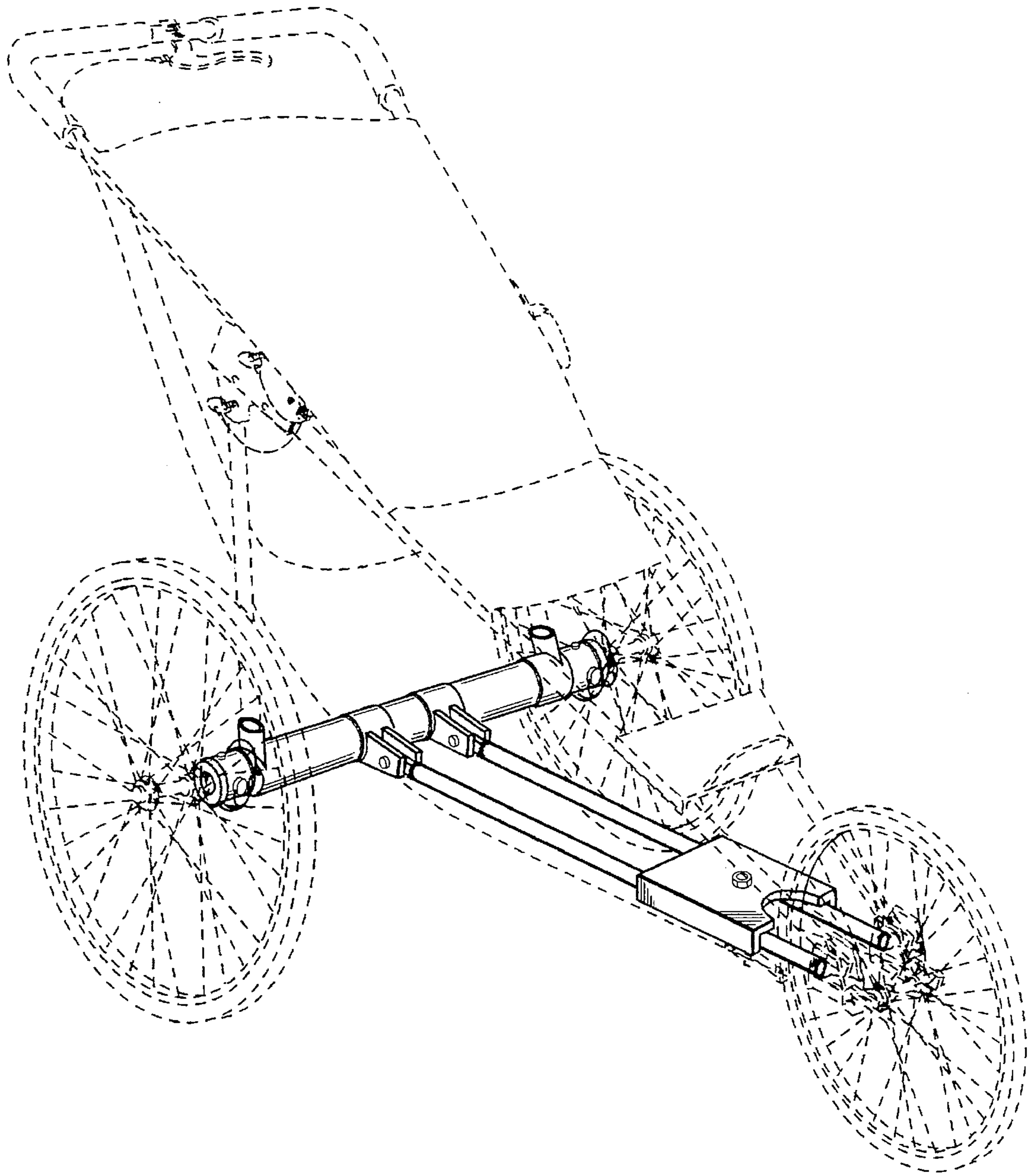


FIG. 1

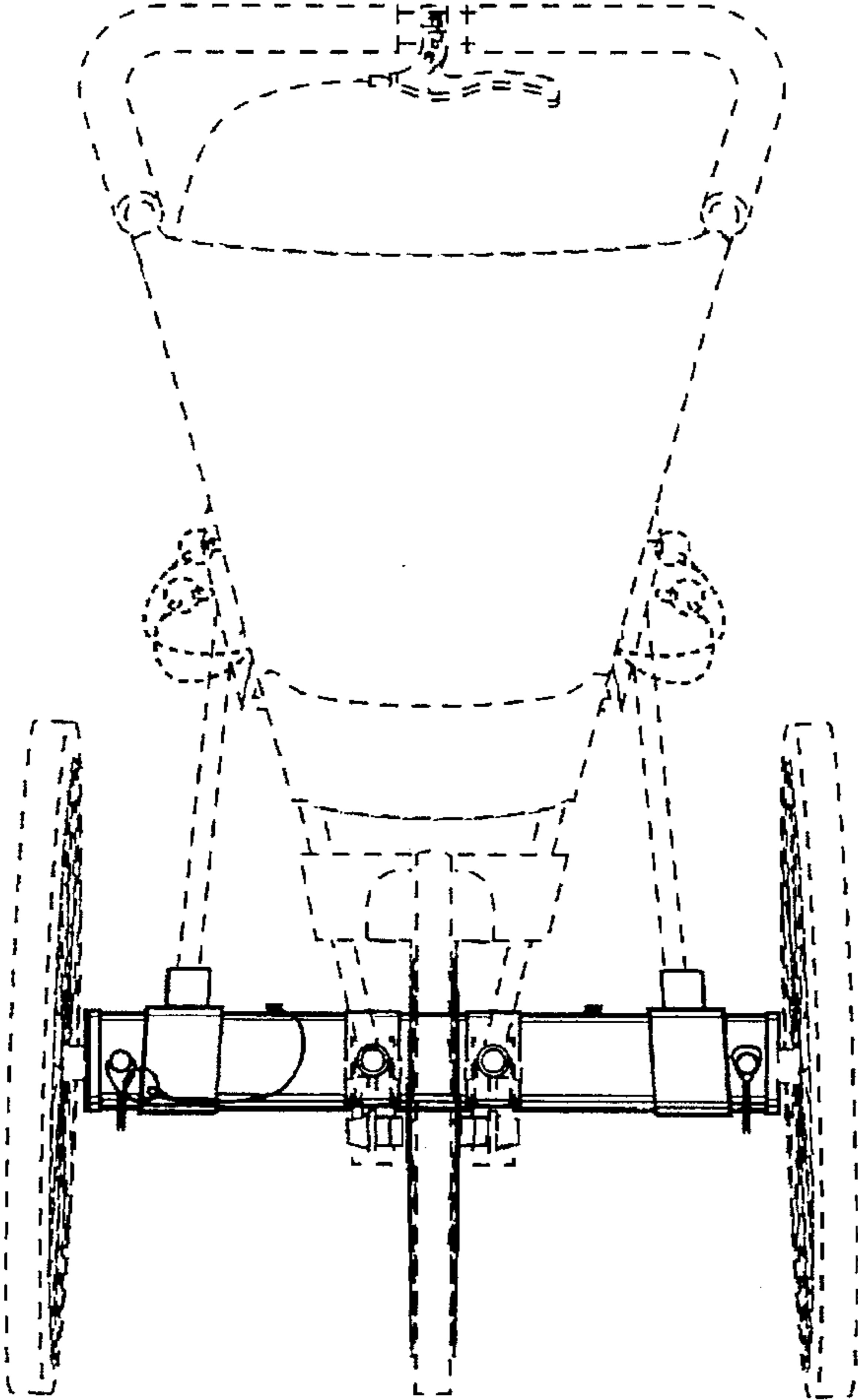


FIG. 2

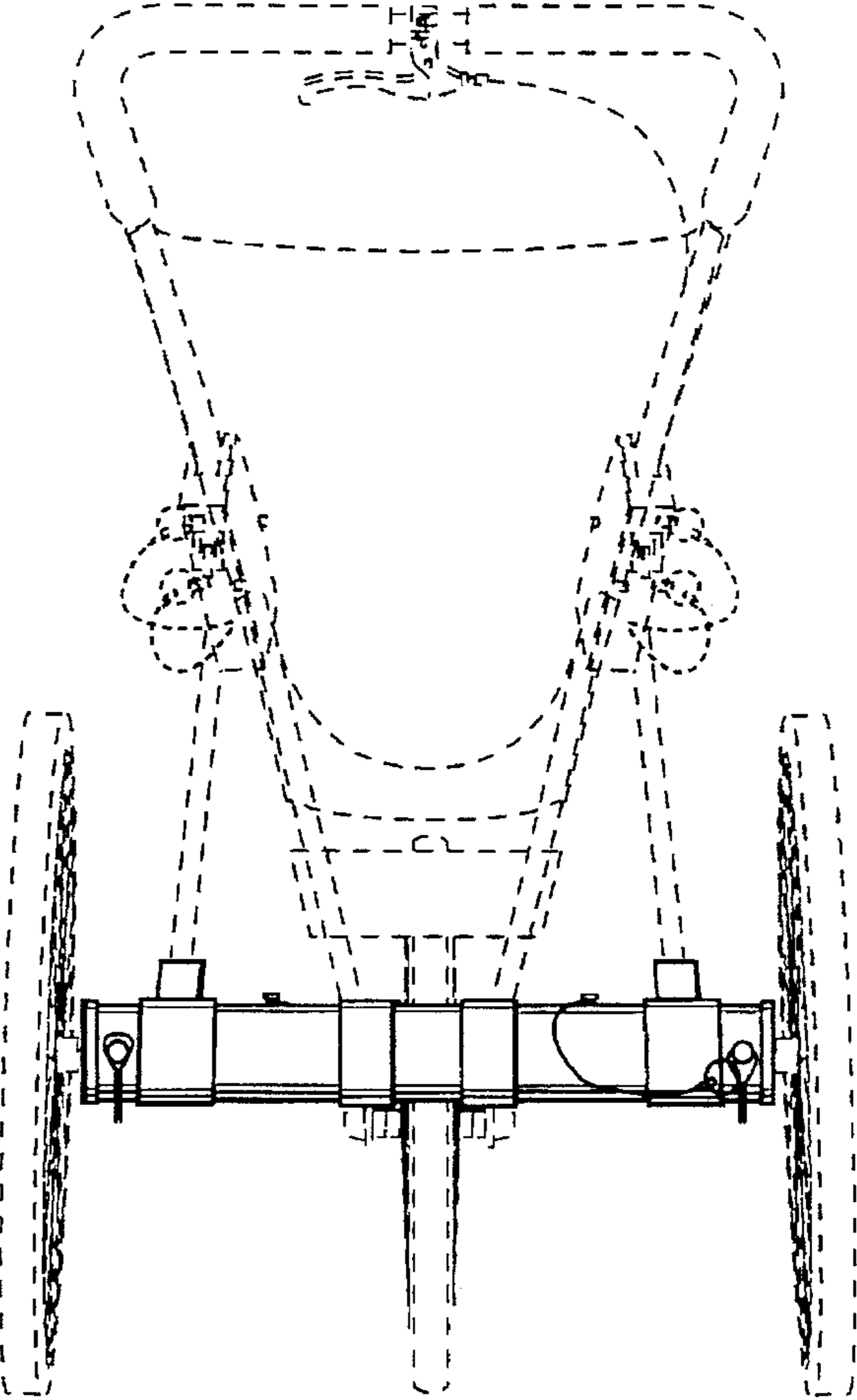


FIG. 3

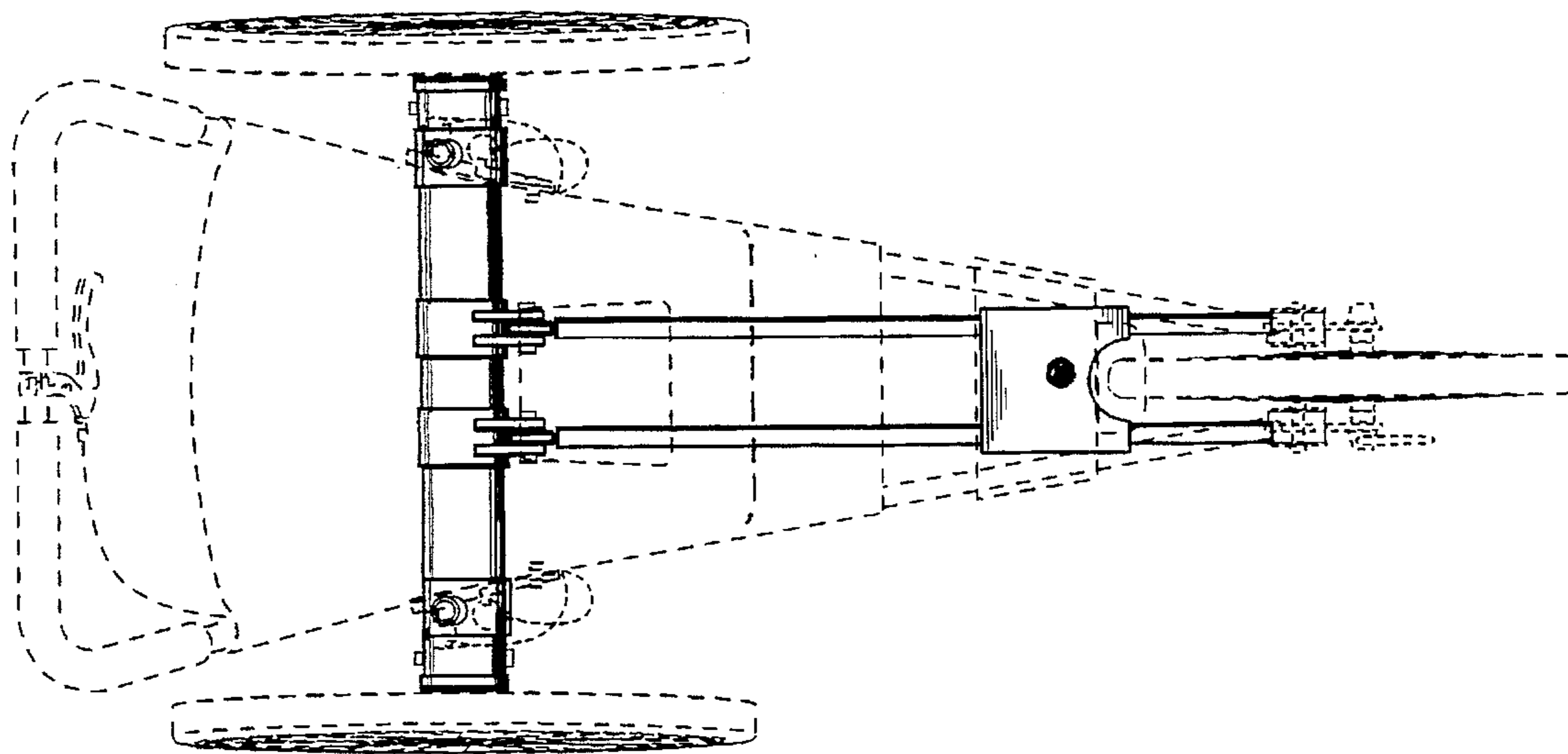


FIG. 4

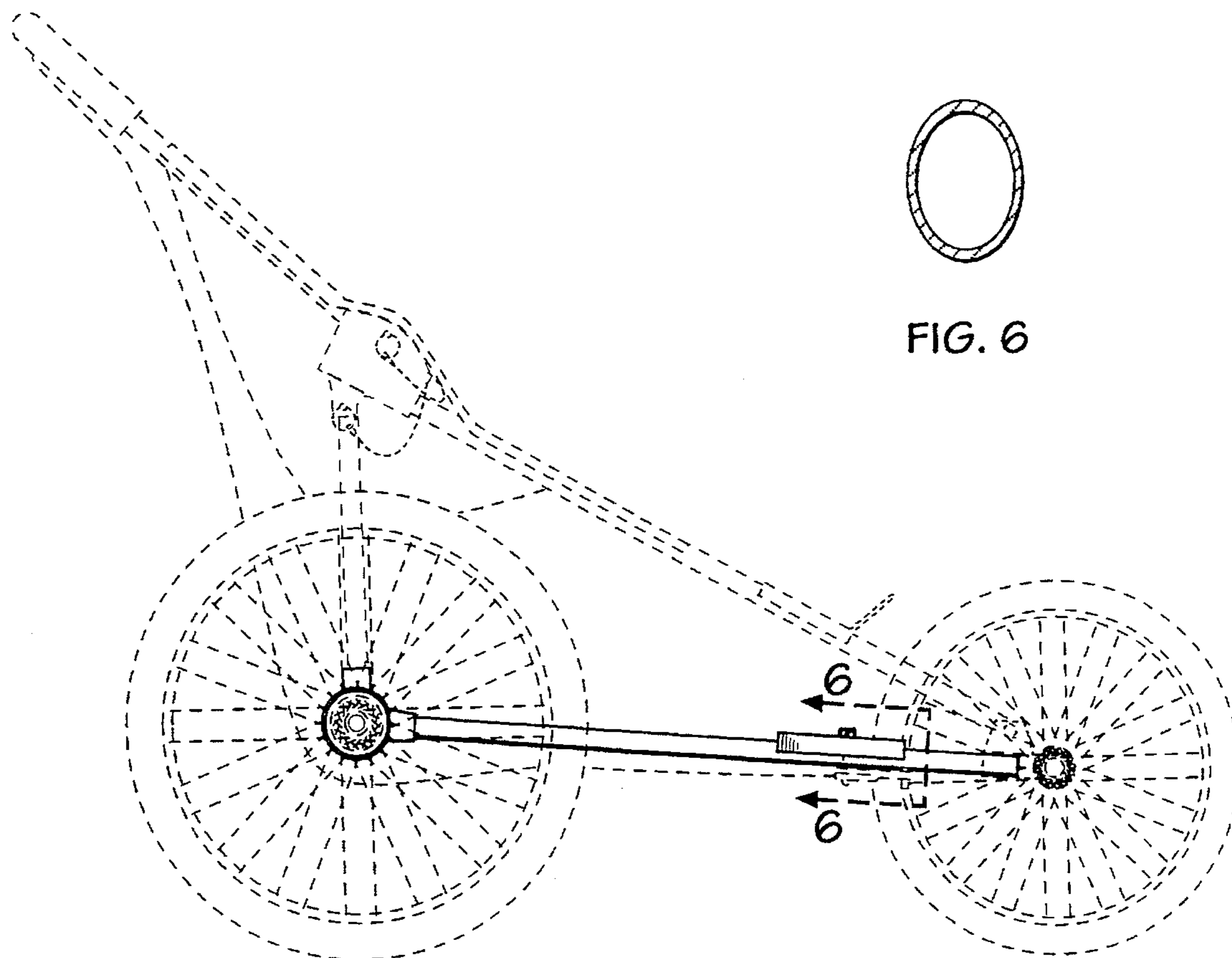


FIG. 6

FIG. 5