



US00D382232S

United States Patent [19]
Hines et al.

[11] **Patent Number: Des. 382,232**
[45] **Date of Patent: **Aug. 12, 1997**

[54] **TRUCK BED**

5,035,462 7/1991 Page et al. 296/183
5,228,742 7/1993 Johnson et al. 296/191

[76] Inventors: **Kevin Hines**, 416 Woodline Dr.,
Woodlands, Tex. 77386; **Charles Beck**,
711 Moonstone Ct., Upland, Calif.
91786

OTHER PUBLICATIONS

J. C. Whitney & Co. Catalog, ©1995, p. 575C, cover page,
truck body.

[**] Term: **14 Years**

Primary Examiner—Melody N. Brown
Attorney, Agent, or Firm—Litman, McMahon and Brown,
L.L.C.

[21] Appl. No.: **50,564**

[22] Filed: **Dec. 22, 1995**

[57] **CLAIM**

[51] **LOC (6) Cl.** **12-08**

The ornamental design for a truck bed, as shown and
described.

[52] **U.S. Cl.** **D12/98**

[58] **Field of Search** D12/98, 93, 14,
D12/196; 296/183, 191, 24.1, 37.6, 37.1,
37.5; 137/351

DESCRIPTION

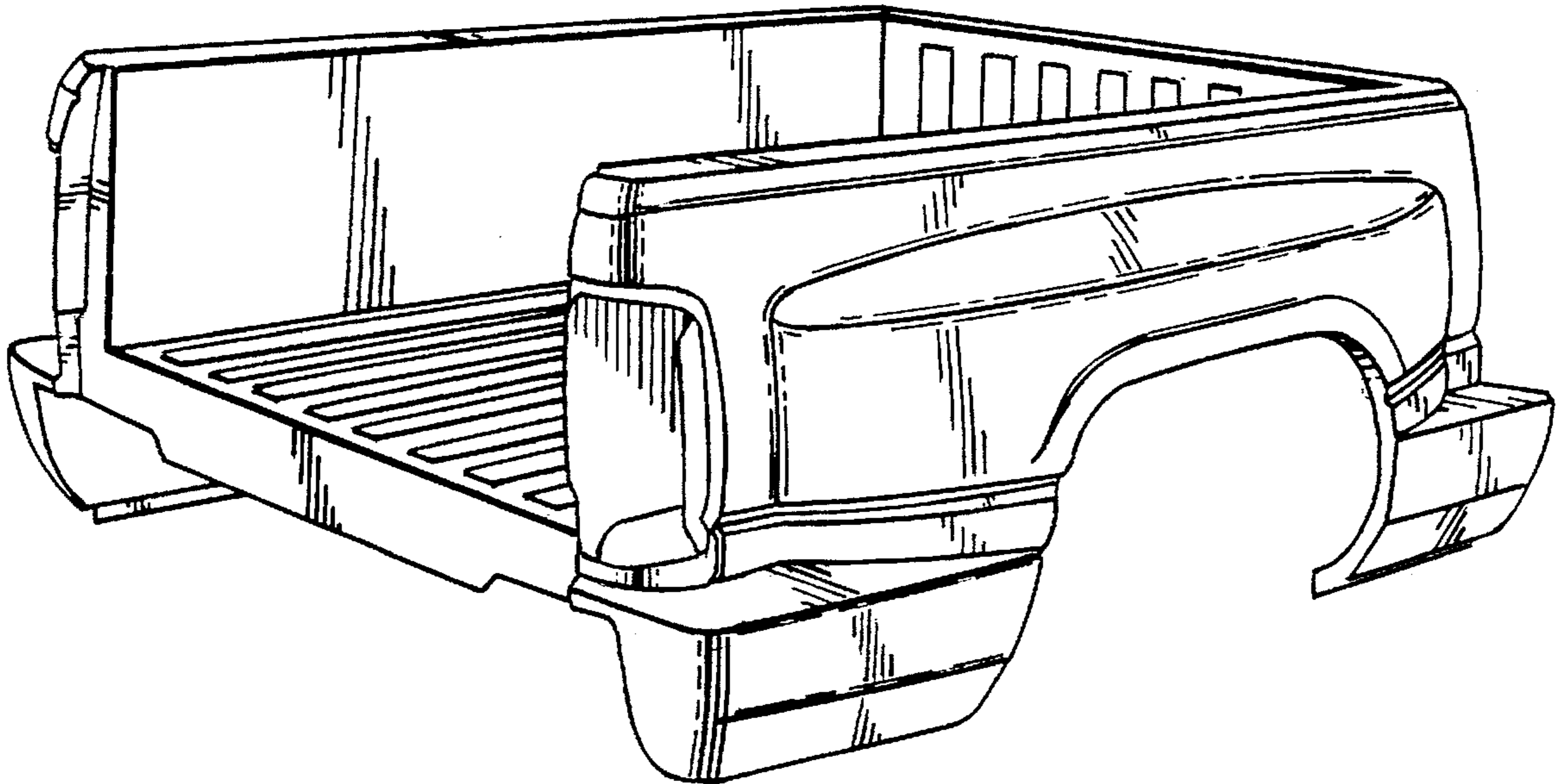
FIG. 1 is a perspective view of a truck bed in accordance
with the present invention;
FIG. 2 is a rear elevational view of the bed;
FIG. 3 is a top plan view of the bed;
FIG. 4 is a front elevational view of the bed;
FIG. 5 is a side elevational view of the bed;
FIG. 6 is side elevational view of the bed; and,
FIG. 7 is a bottom plan view of the bed.
Portions of the bed as seen in **FIGS. 2** and **7** are not seen
during normal use of the bed.

[56] **References Cited**

U.S. PATENT DOCUMENTS

- D. 301,572 6/1989 Mc Kinnon D12/196
- D. 313,379 1/1991 Machida et al. D12/98
- D. 336,266 6/1993 Hunter D12/98
- D. 346,571 5/1994 Lewellen et al. D12/98
- D. 351,817 10/1994 Lewellen et al. D12/98
- D. 352,485 11/1994 Creed et al. D12/98
- D. 372,211 7/1996 Hunter et al. D12/98

1 Claim, 4 Drawing Sheets



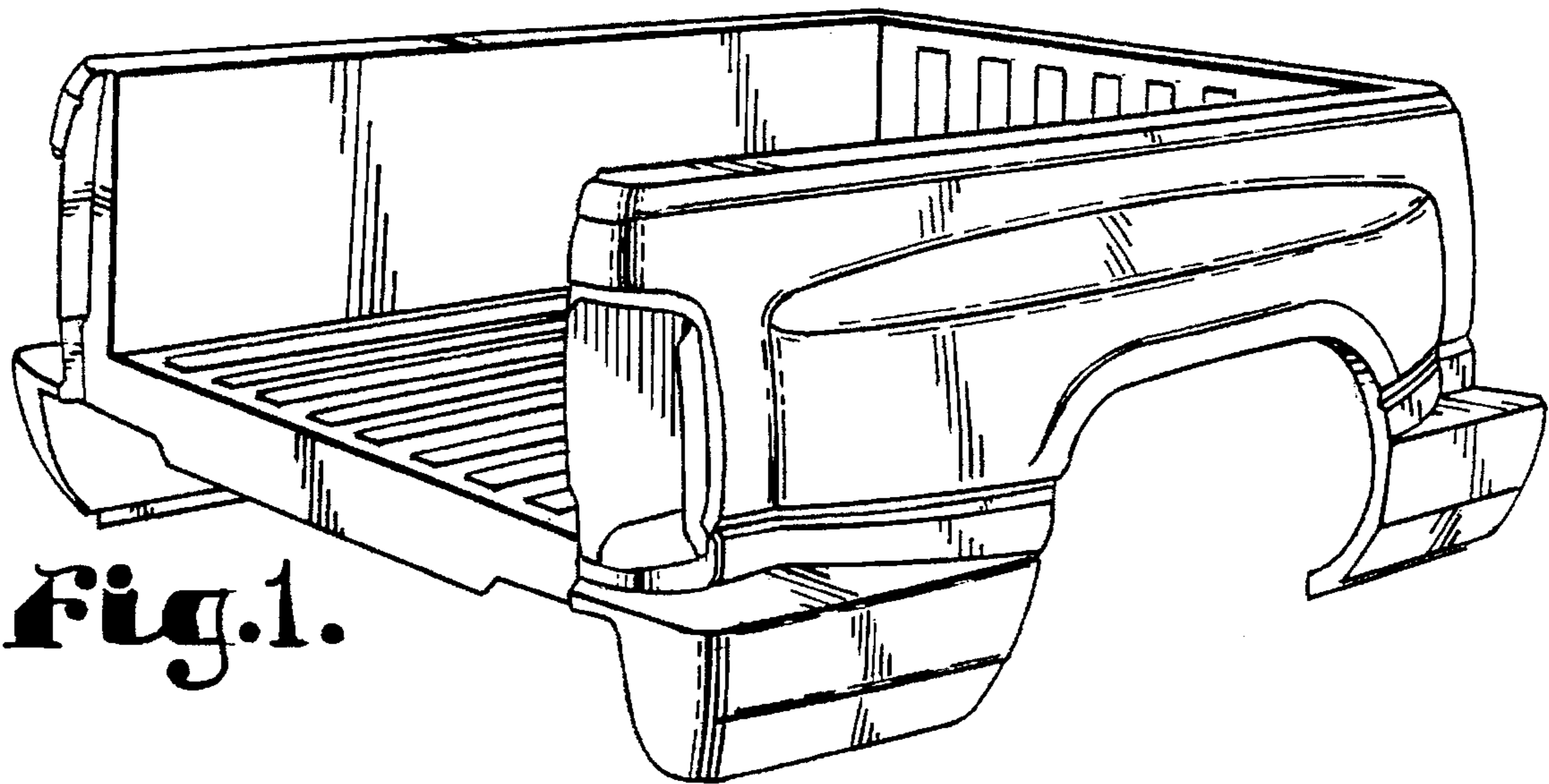
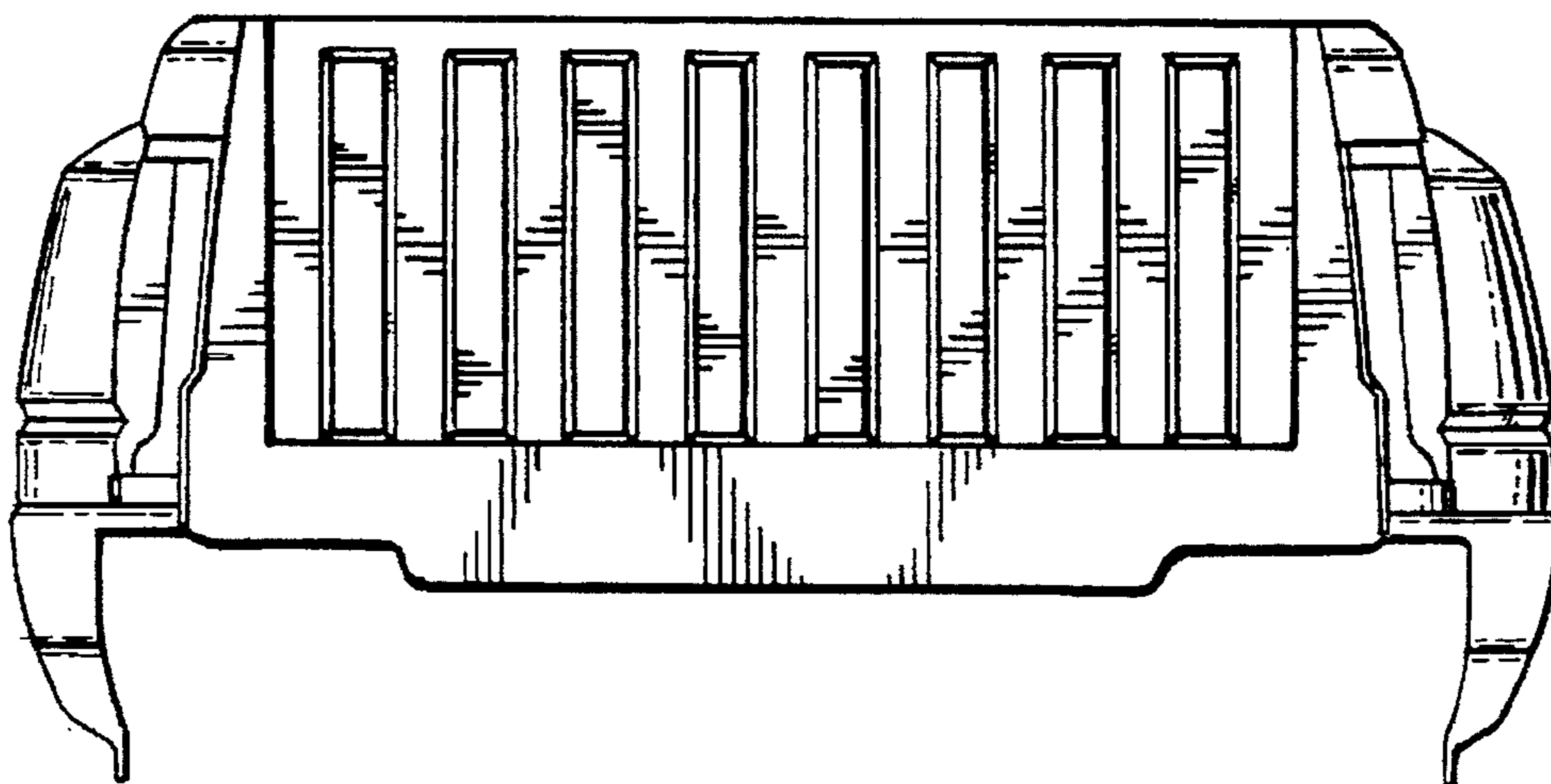


Fig. 1.

Fig. 2.



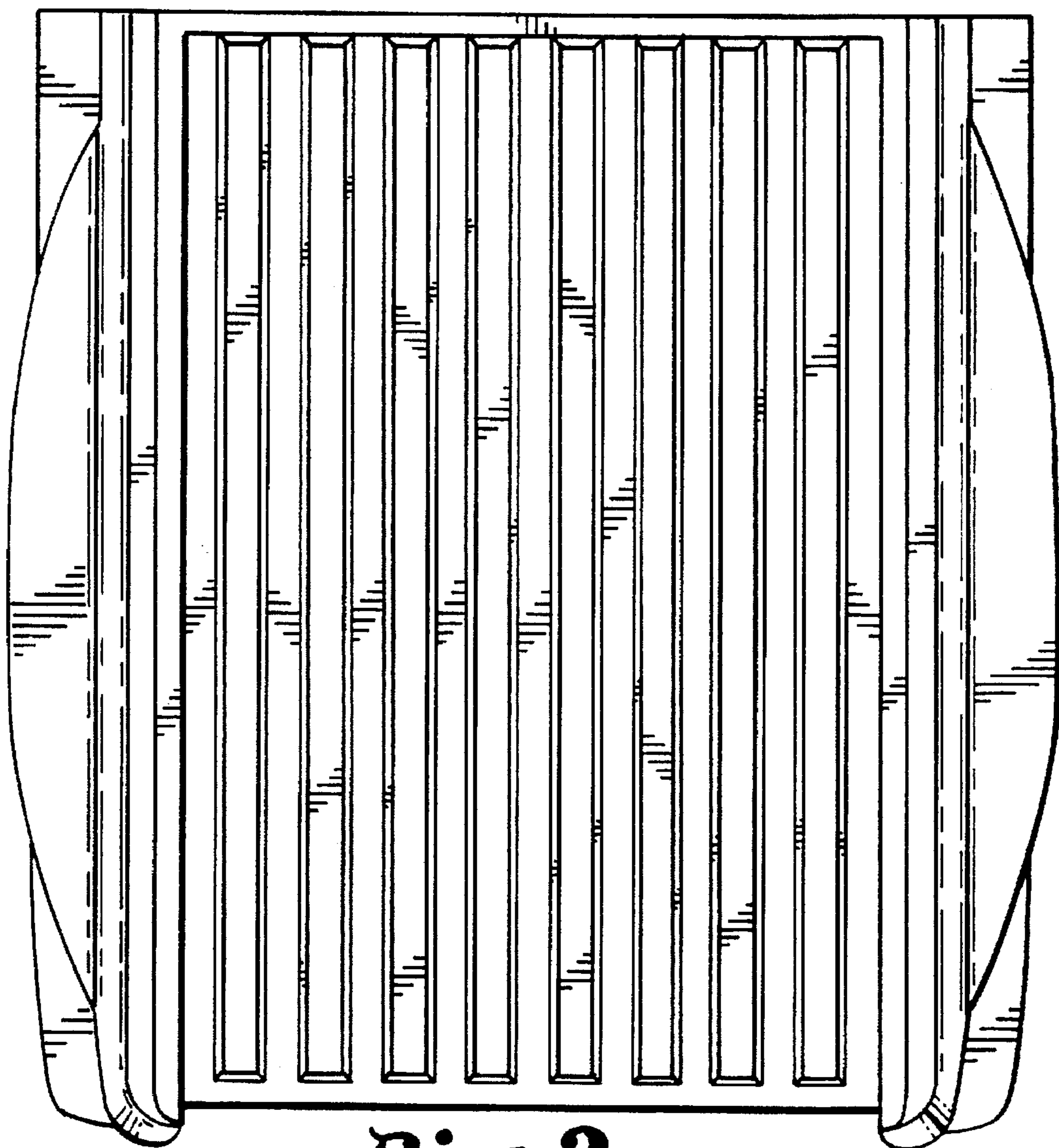


Fig. 3.

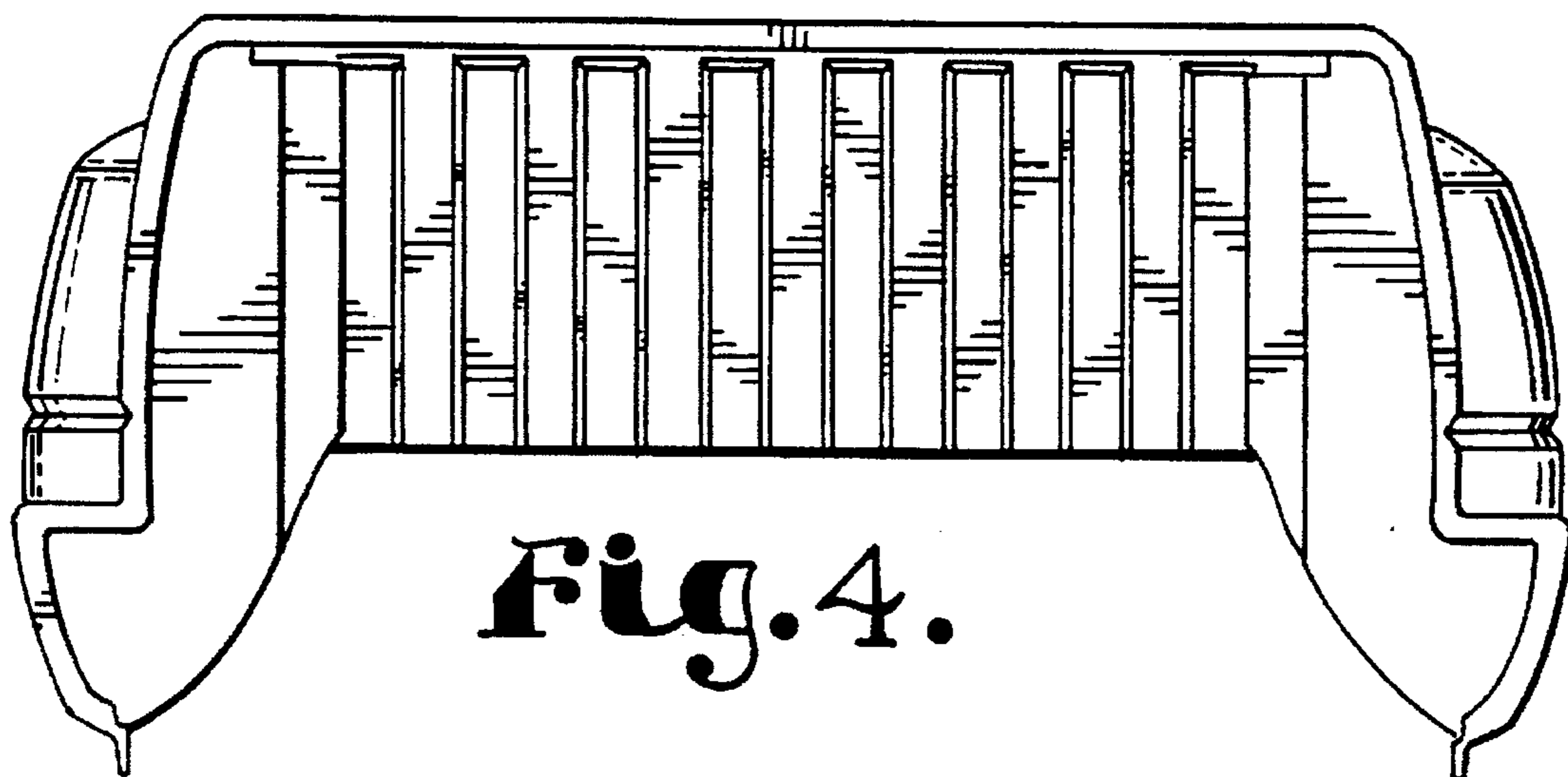


Fig. 4.

Fig. 5.

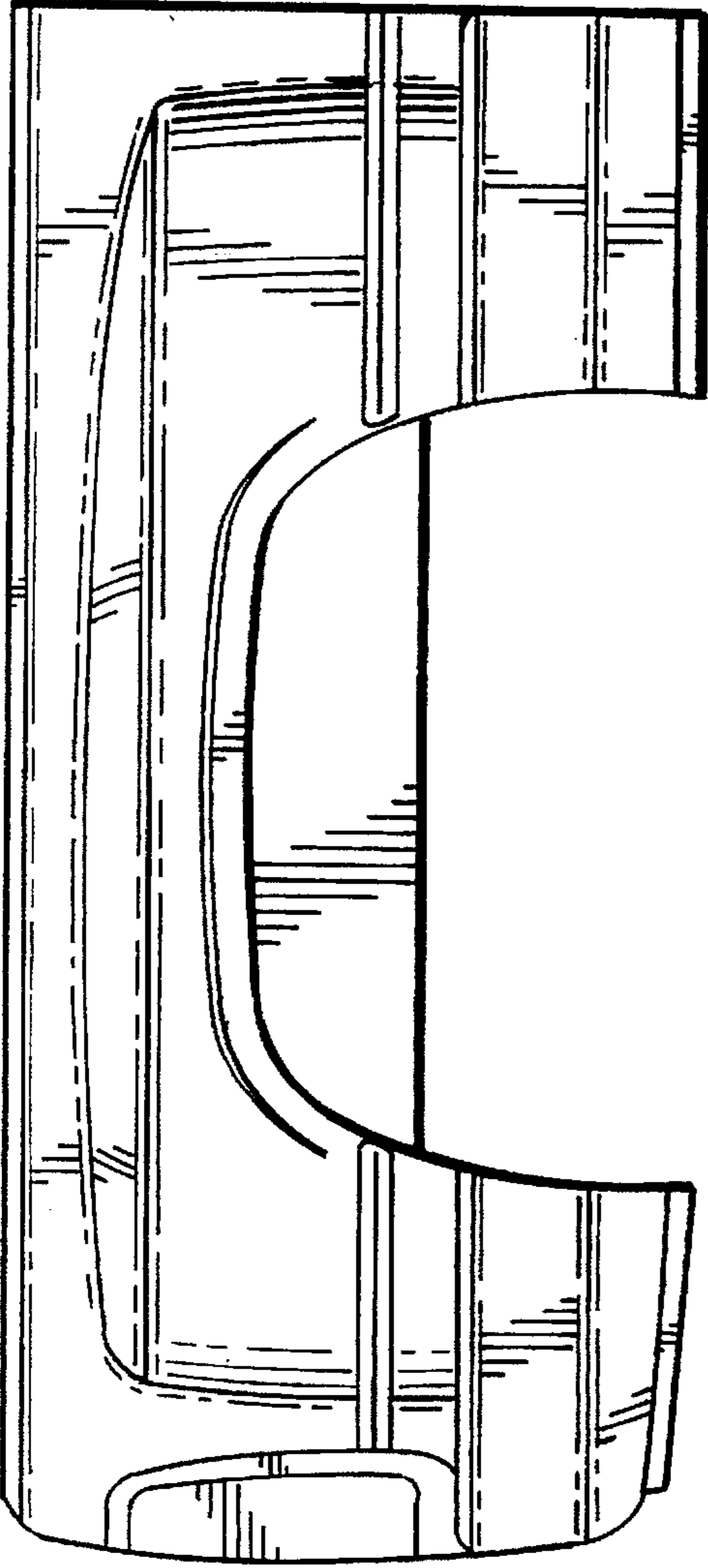


Fig. 6.

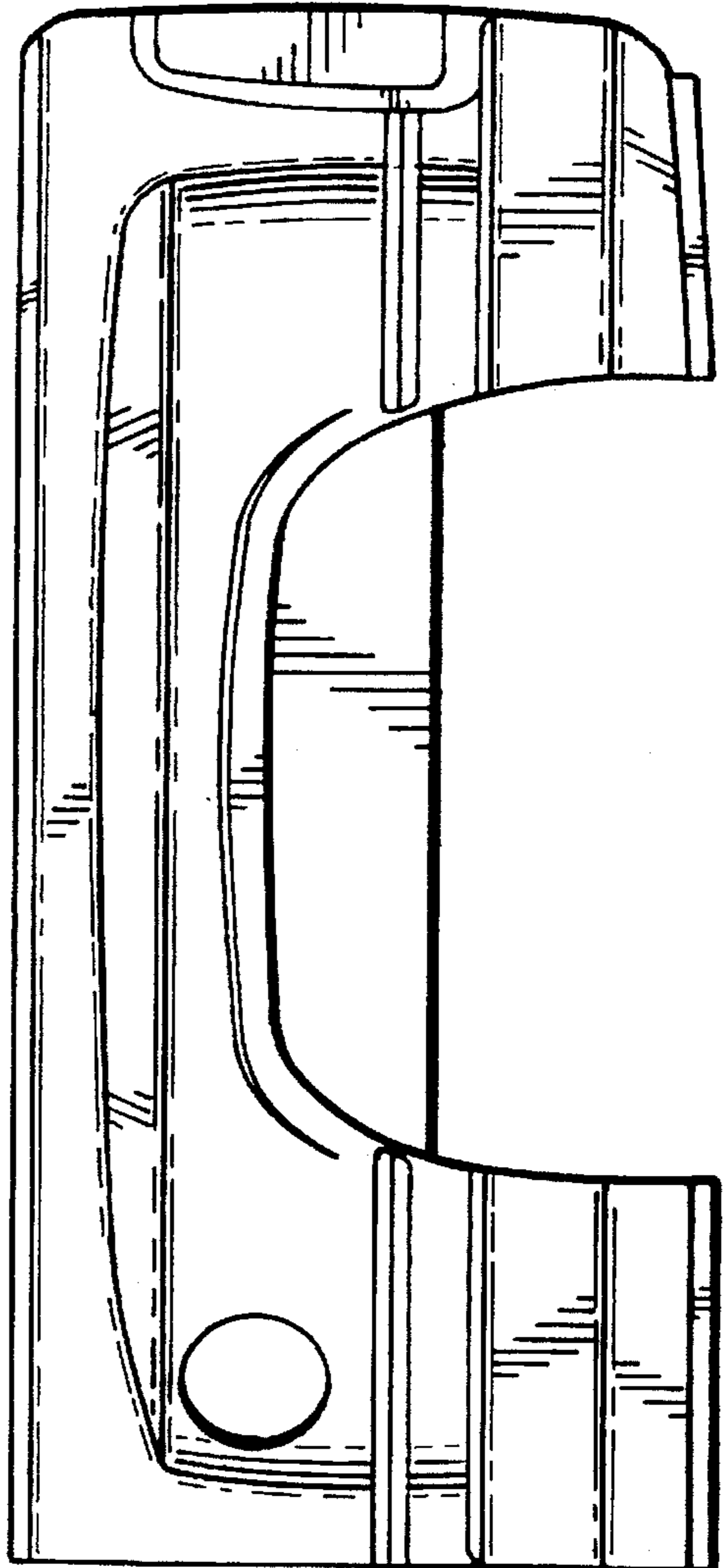


Fig. 7.

