



US00D382228S

United States Patent [19]

[11] Patent Number: **Des. 382,228**

Snook

[45] Date of Patent: ****Aug. 12, 1997**

[54] STADIUM CURIO

5,360,305 11/1994 Evans 446/110

[76] Inventor: **Jeffery E. Snook**, 26132 Kingsbury St., Kittredge, Colo. 80457

Primary Examiner—Dominic Simone
Attorney, Agent, or Firm—Chase & Yakimo

[**] Term: **14 Years**

[57] CLAIM

[21] Appl. No.: **48,602**

The ornamental design for a stadium curio, as shown and described.

[22] Filed: **Jan. 5, 1996**

DESCRIPTION

[51] LOC (6) Cl. **11-02**

FIG. 1 is a perspective view of the stadium curio showing my new design;

[52] U.S. Cl. **D11/157; D11/131; D25/12**

FIG. 2 is a side view of the stadium curio of FIG. 1;

[58] Field of Search **D11/131, 157; D25/12; 446/85, 87, 110, 108; 434/72**

FIG. 3 is an opposed side view of the stadium curio of FIG. 1;

[56] References Cited

FIG. 4 is a top view of the stadium curio of FIG. 1;

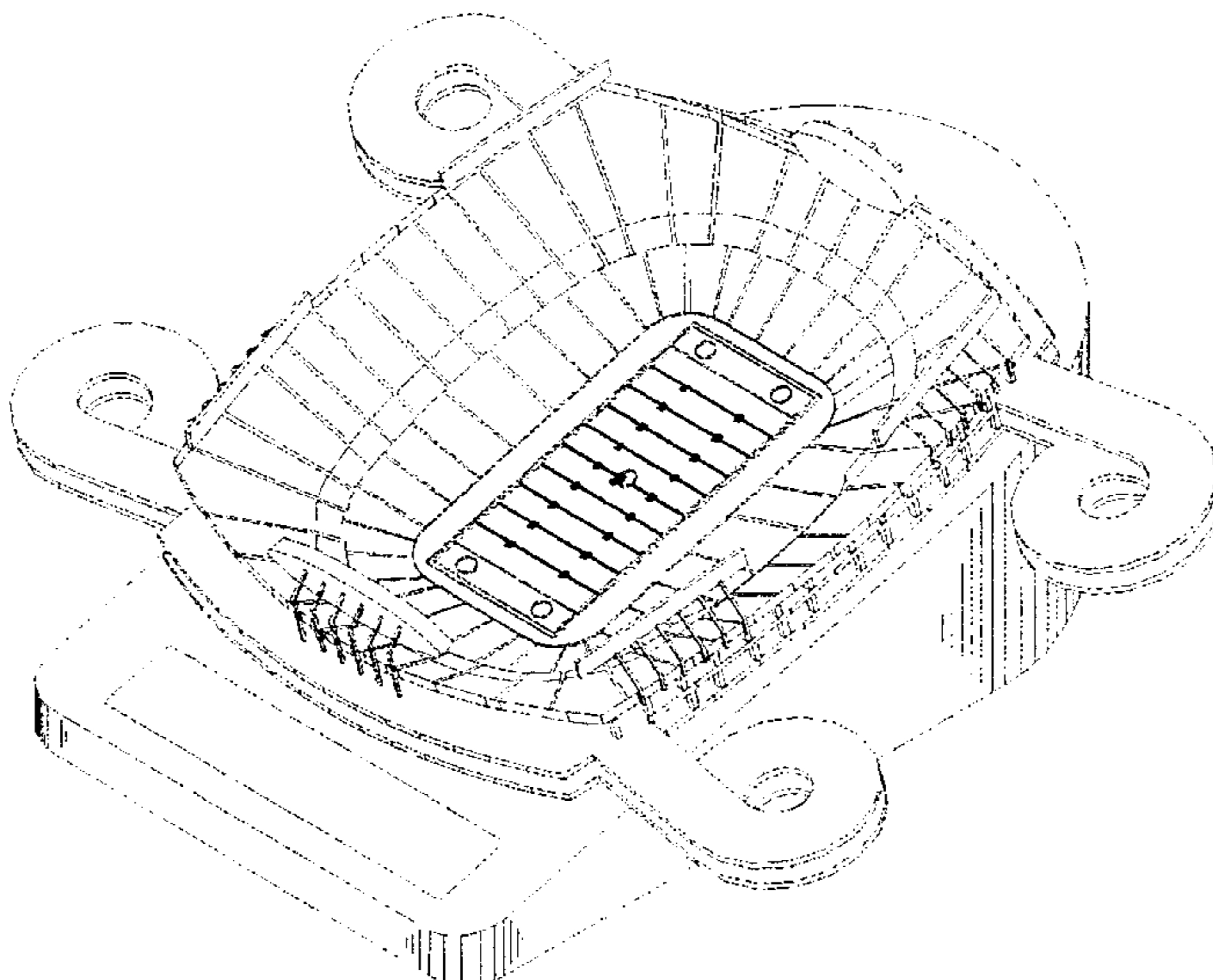
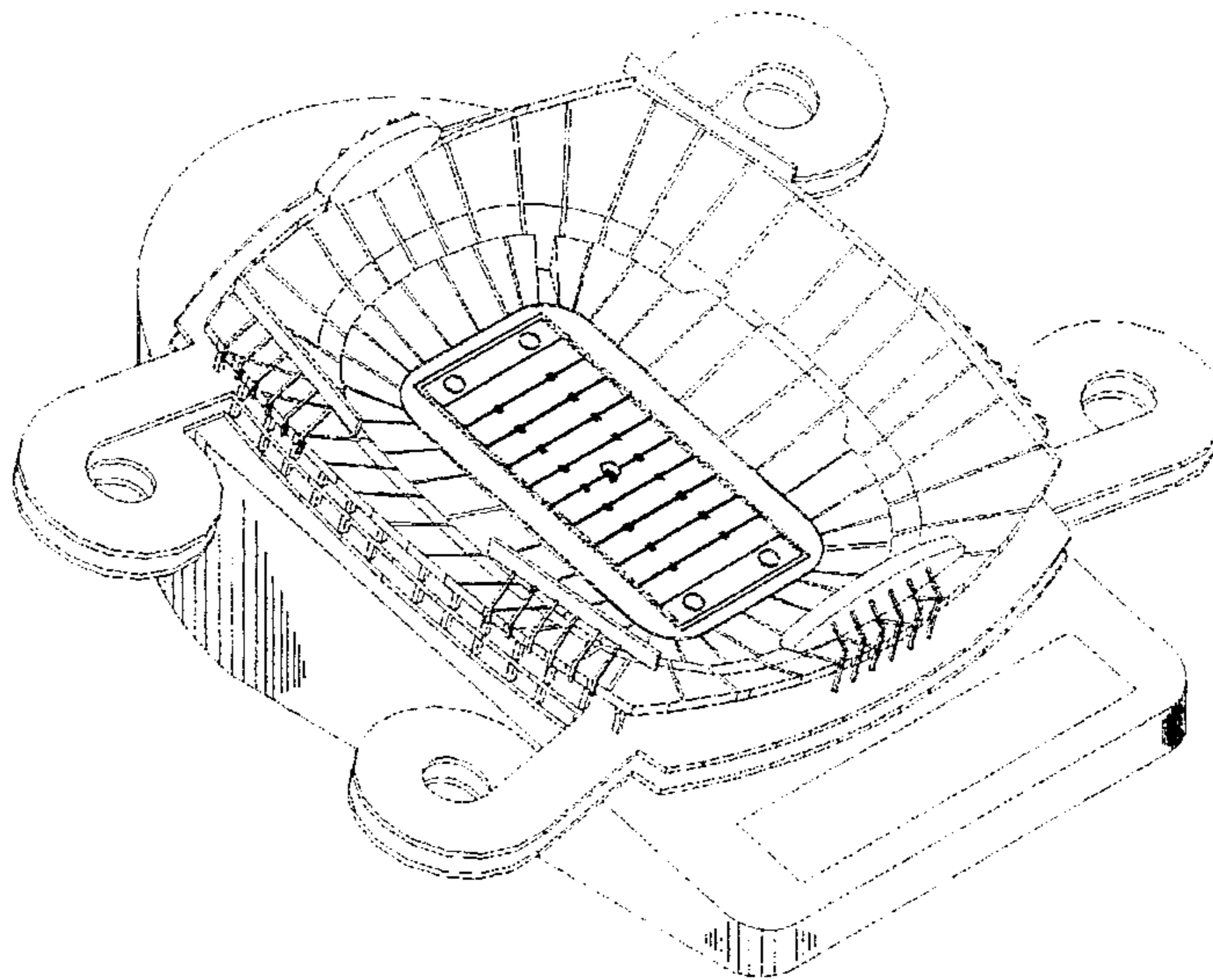
U.S. PATENT DOCUMENTS

FIG. 5 is a front view of the stadium curio of FIG. 1;

D. 208,460	9/1967	Marcott	D25/12
1,873,748	8/1932	Favreau	434/72
3,241,270	3/1966	Newman	D25/12 X
5,002,513	3/1991	Weiss	446/110 X

FIG. 6 is a rear view of the stadium curio of FIG. 1; and, FIG. 7 is a perspective view of the stadium curio of FIG. 1.

1 Claim, 7 Drawing Sheets



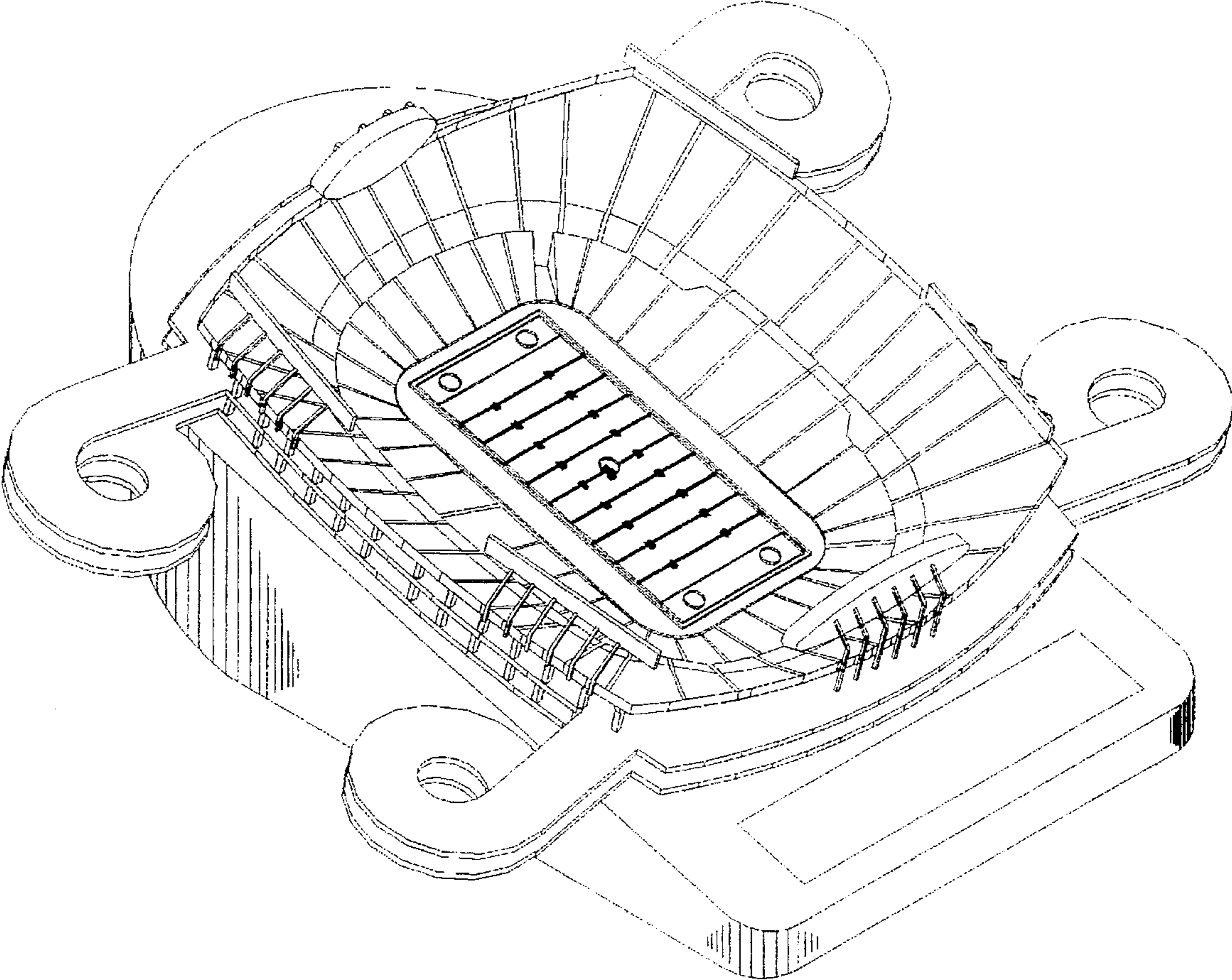


FIG. 1

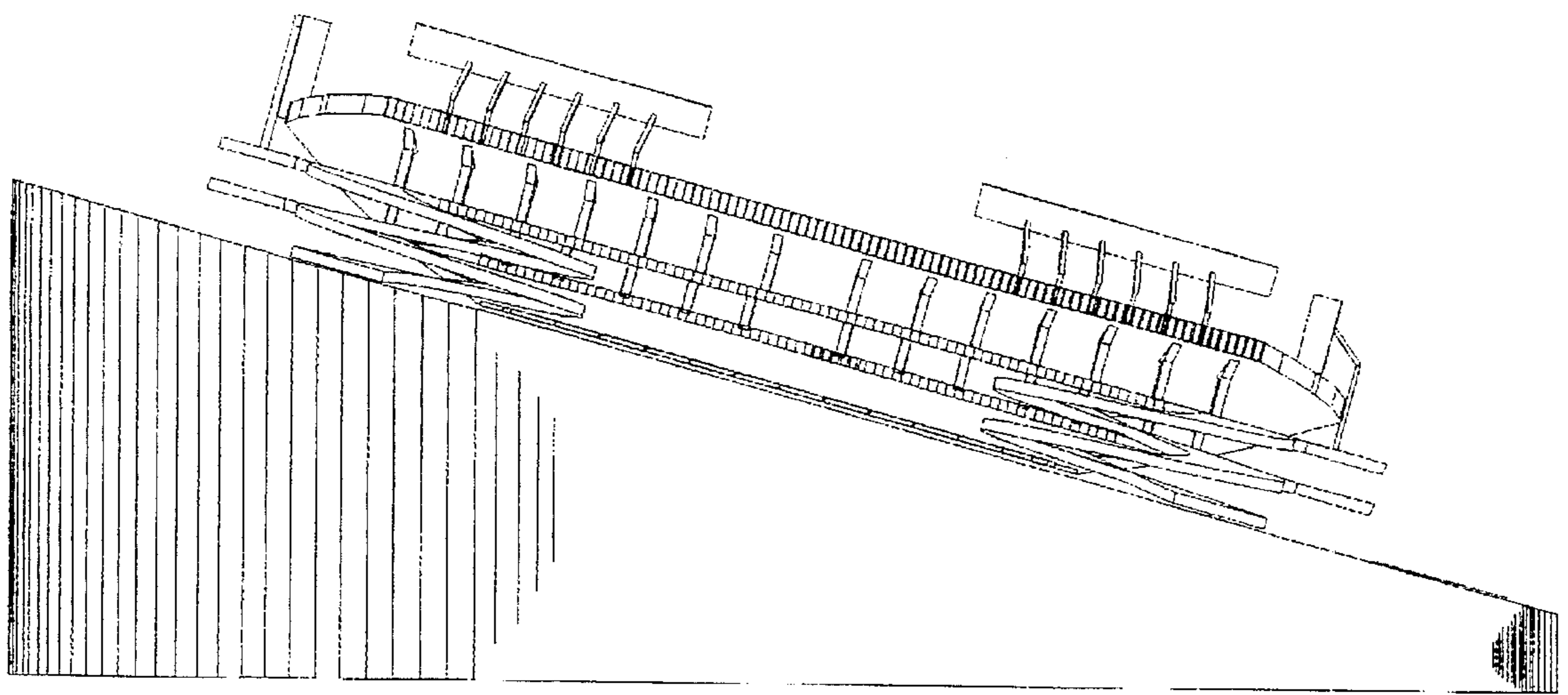


FIG. 2

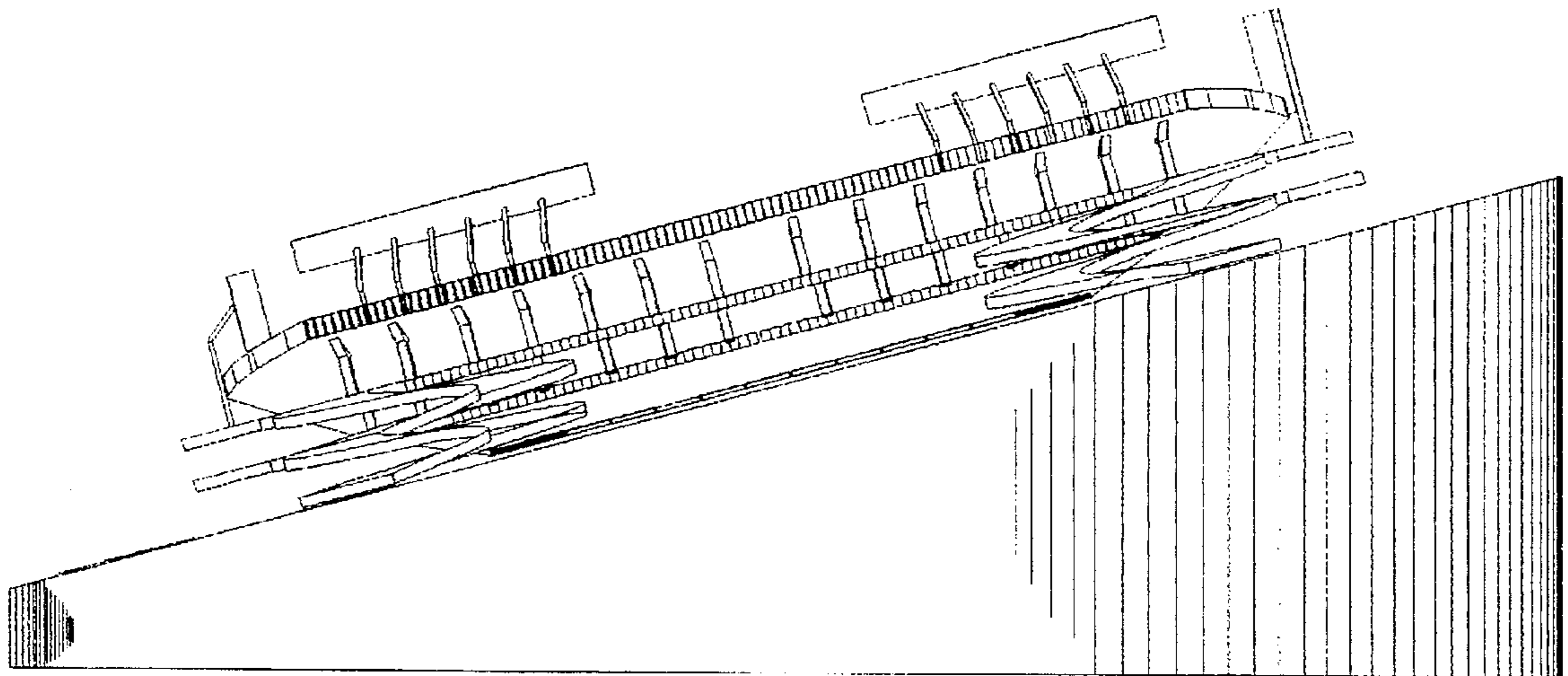


FIG. 3

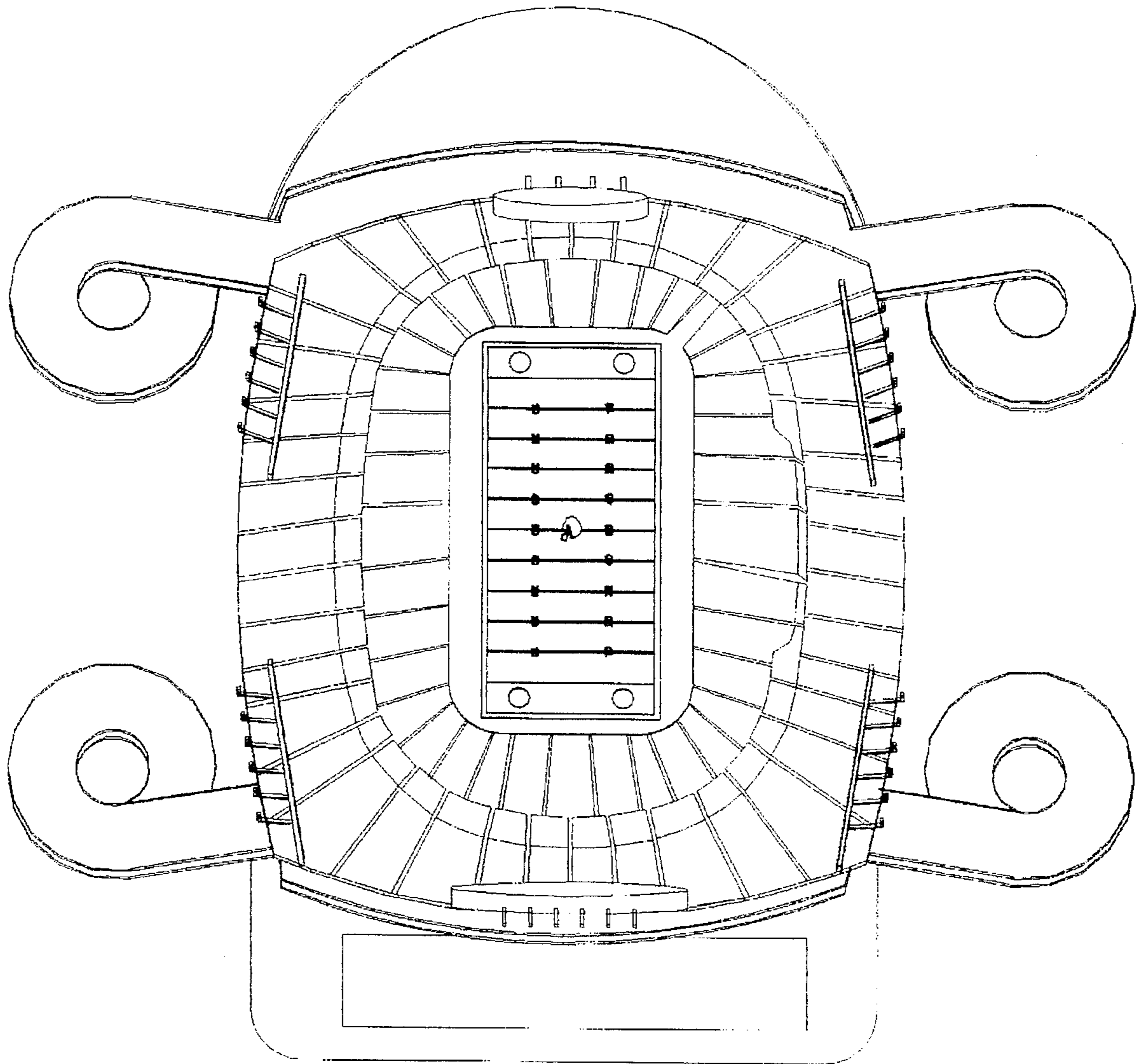


FIG. 4

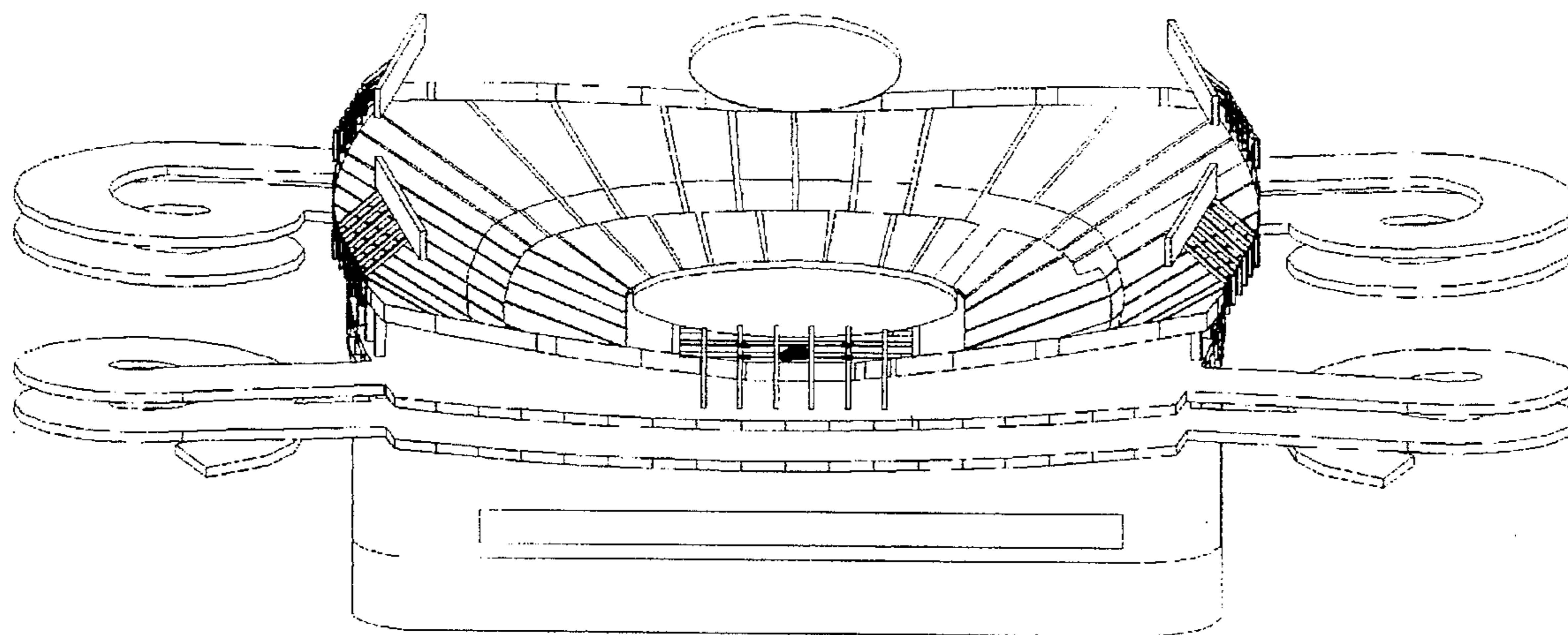


FIG. 5

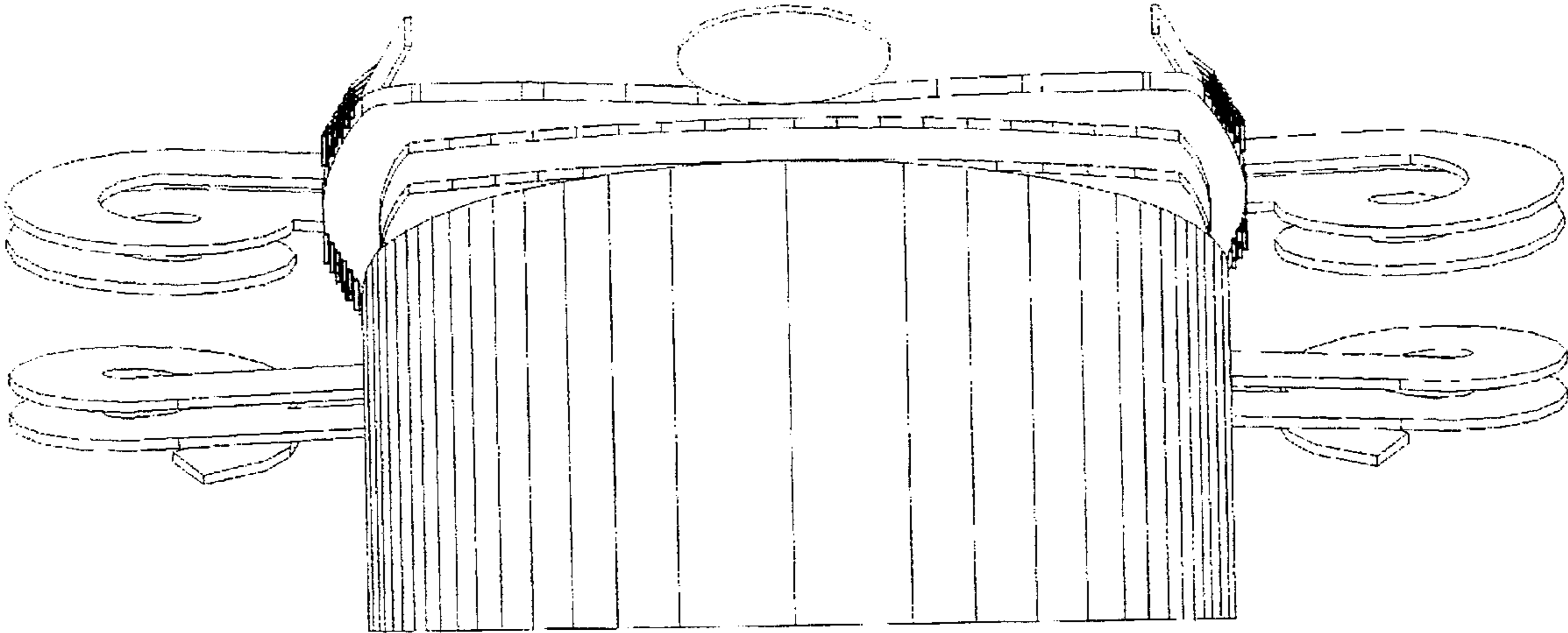


FIG. 6

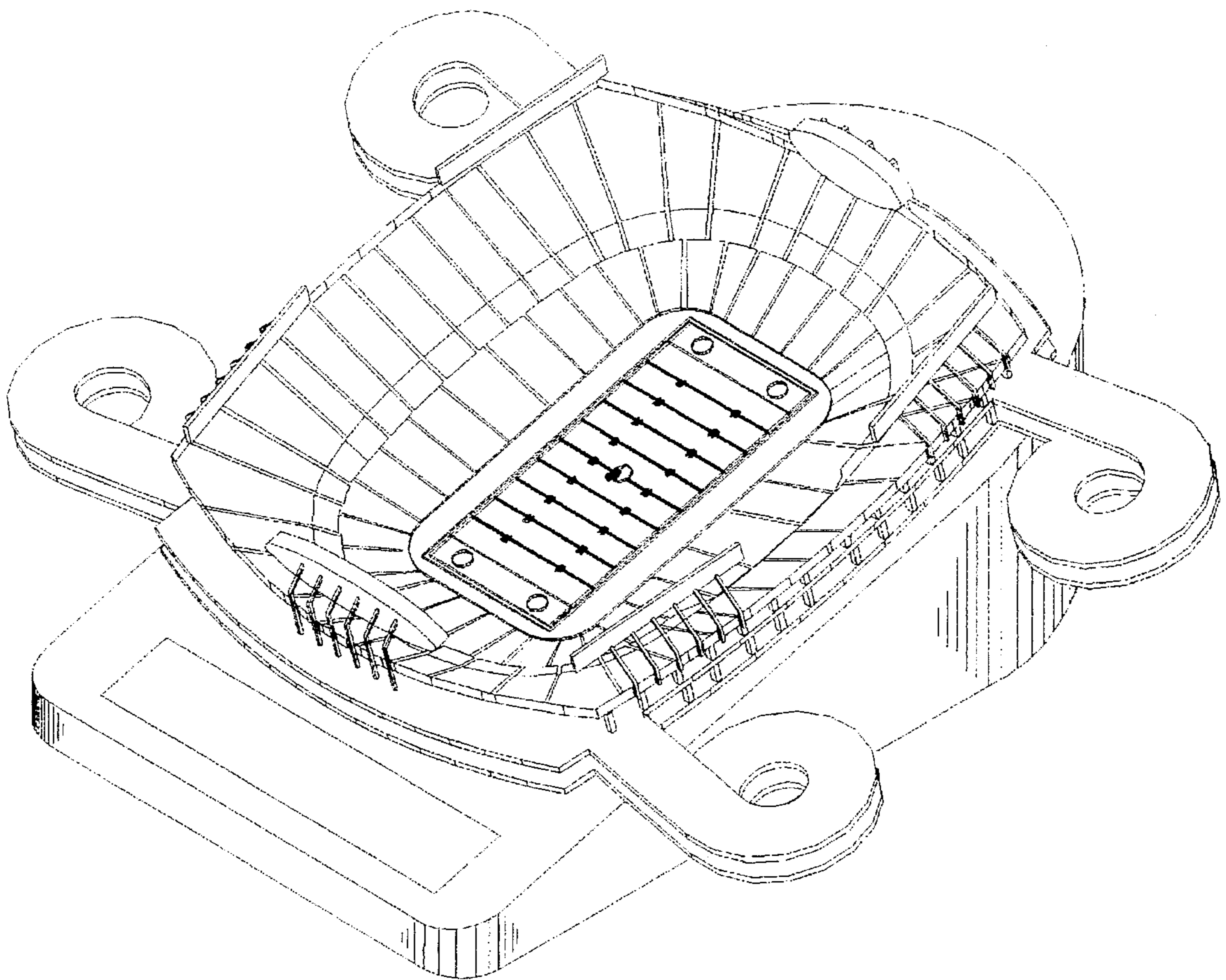


FIG. 7

UNITED STATES PATENT AND TRADEMARK OFFICE
CERTIFICATE OF CORRECTION

PATENT NO. : Des. 382,228
DATED : Aug. 12, 1997
INVENTOR(S) : Jeffery E. Snook

It is certified that error appears in the above-identified patent and that said Letters Patent is hereby corrected as shown below:

The title page should be deleted to appear as per attached title page.

The drawing sheets consisting of sheets 1-7 should be deleted to appear as per attached drawing sheets 1-7.

Signed and Sealed this
Thirtieth Day of September, 1997

Attest:



BRUCE LEHMAN

Attesting Officer

Commissioner of Patents and Trademarks

United States Patent [19]
Snook

[11] **Patent Number:** **Des. 382,228**

[45] **Date of Patent:** ****Aug. 12, 1997**

[54] **STADIUM CURIO**

5,360,305 11/1994 Evans 446/110

[76] **Inventor:** **Jeffery E. Snook, 26132 Kingsbury St., Kittredge, Colo. 80457**

*Primary Examiner—Dominic Simone
Attorney, Agent, or Firm—Chase & Yakimo*

[**] **Term:** **14 Years**

[57] **CLAIM**

The ornamental design for a stadium curio, as shown and described.

[21] **Appl. No.:** **48,602**

[22] **Filed:** **Jan. 5, 1996**

DESCRIPTION

[51] **LOC (6) CL** **11-02**

[52] **U.S. CL** **D11/157; D11/131; D25/12**

[58] **Field of Search** **D11/131, 157; D25/12; 446/85, 87, 110, 108; 434/72**

FIG. 1 is a perspective view of the stadium curio showing my new design;

FIG. 2 is a side view of the stadium curio of FIG. 1;

FIG. 3 is an opposed side view of the stadium curio of FIG. 1;

FIG. 4 is a top view of the stadium curio of FIG. 1;

FIG. 5 is a front view of the stadium curio of FIG. 1;

FIG. 6 is a rear view of the stadium curio of FIG. 1; and,

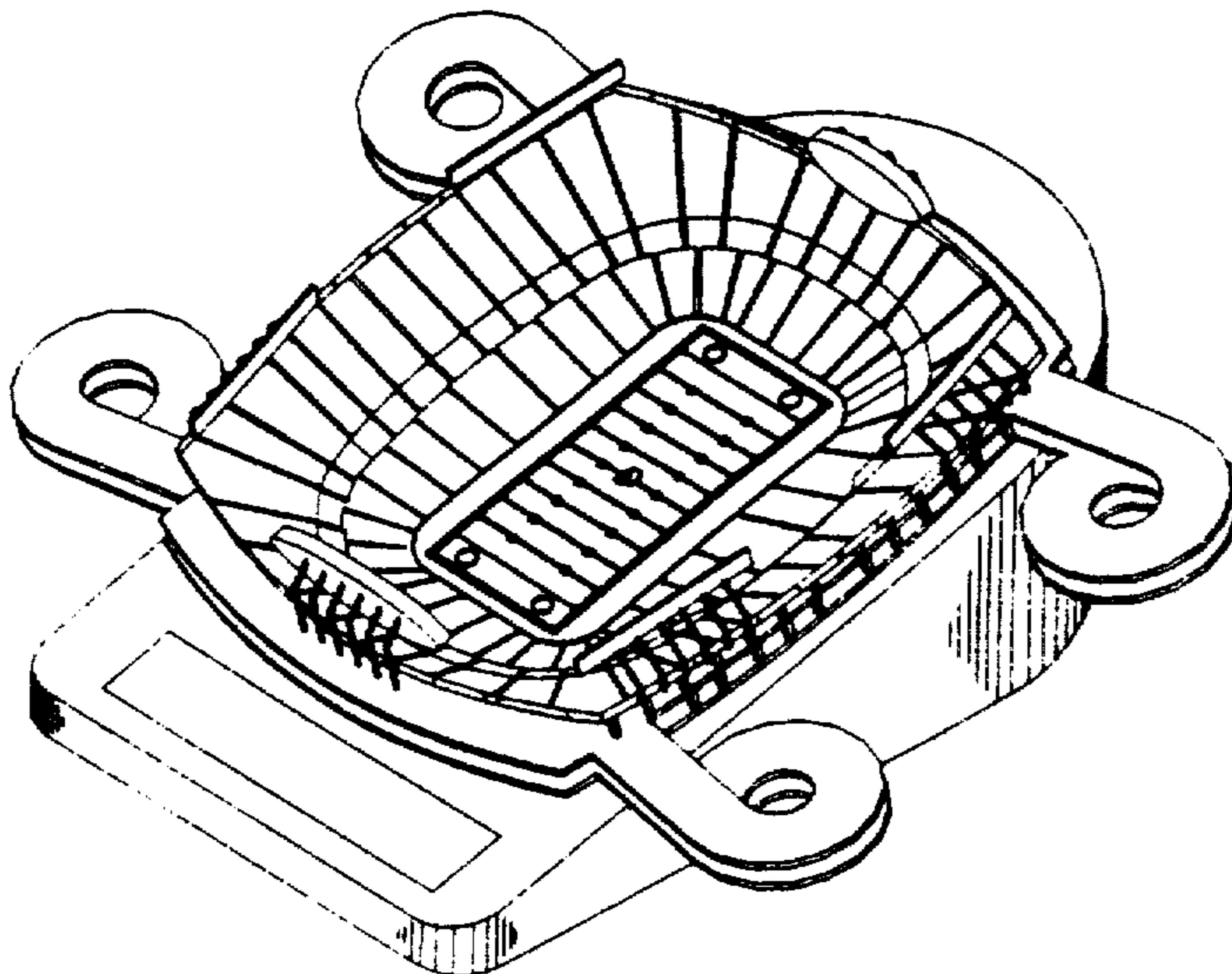
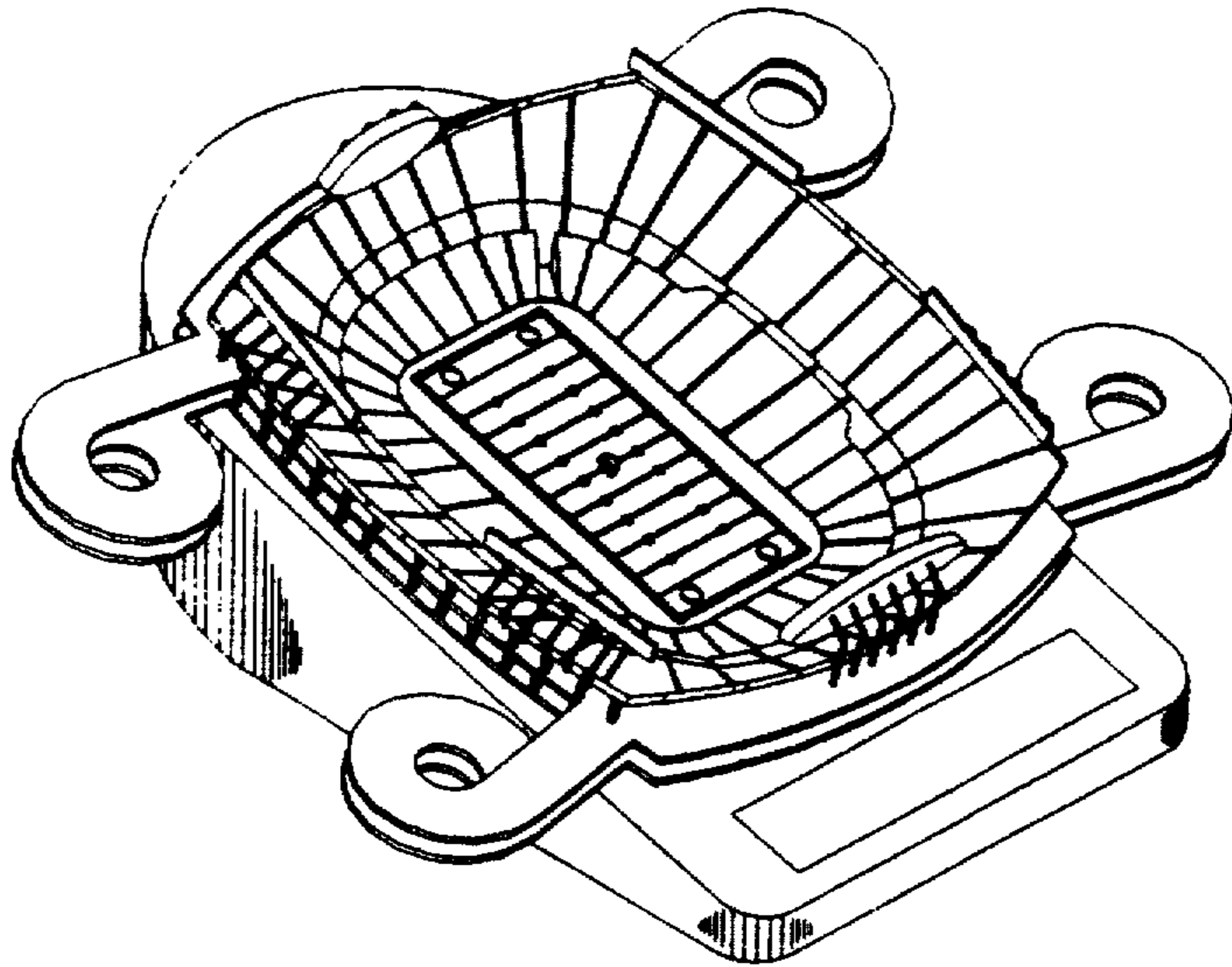
FIG. 7 is a perspective view of the stadium curio of FIG. 1.

[56] **References Cited**

U.S. PATENT DOCUMENTS

D. 208,460	9/1967	Marcotti	D25/12
1,873,748	8/1932	Favreau	434/72
3,241,270	3/1966	Newman	D25/12 X
5,002,513	3/1991	Weiss	446/110 X

1 Claim, 7 Drawing Sheets



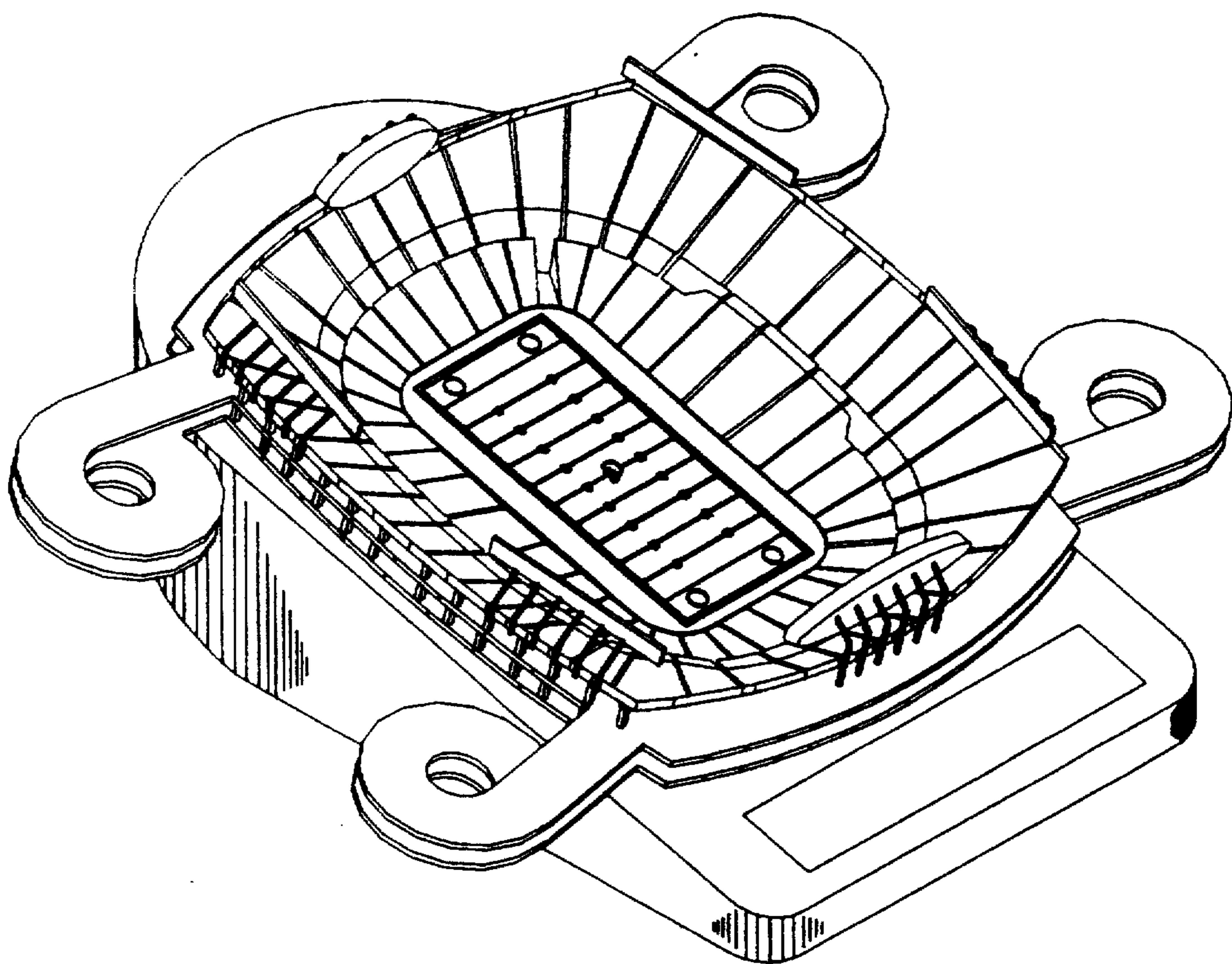


FIG. 1

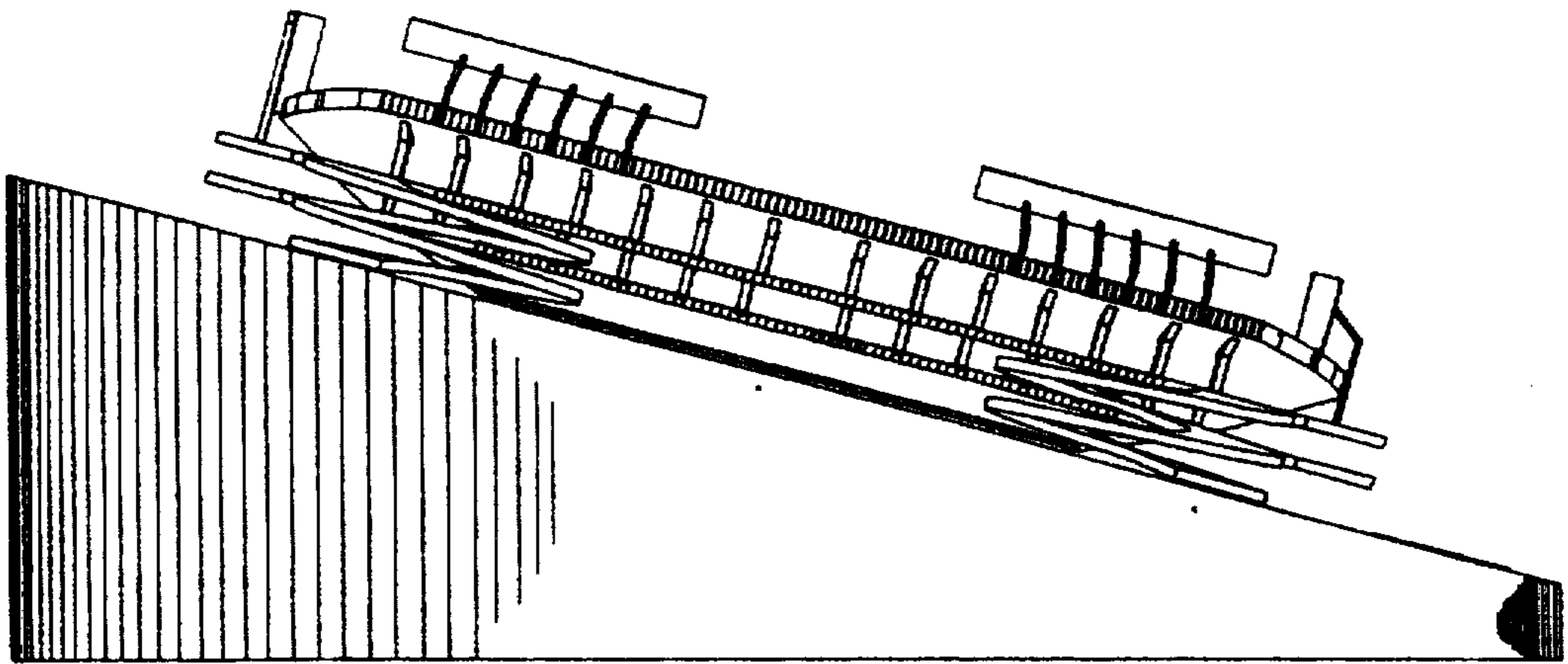


FIG. 2

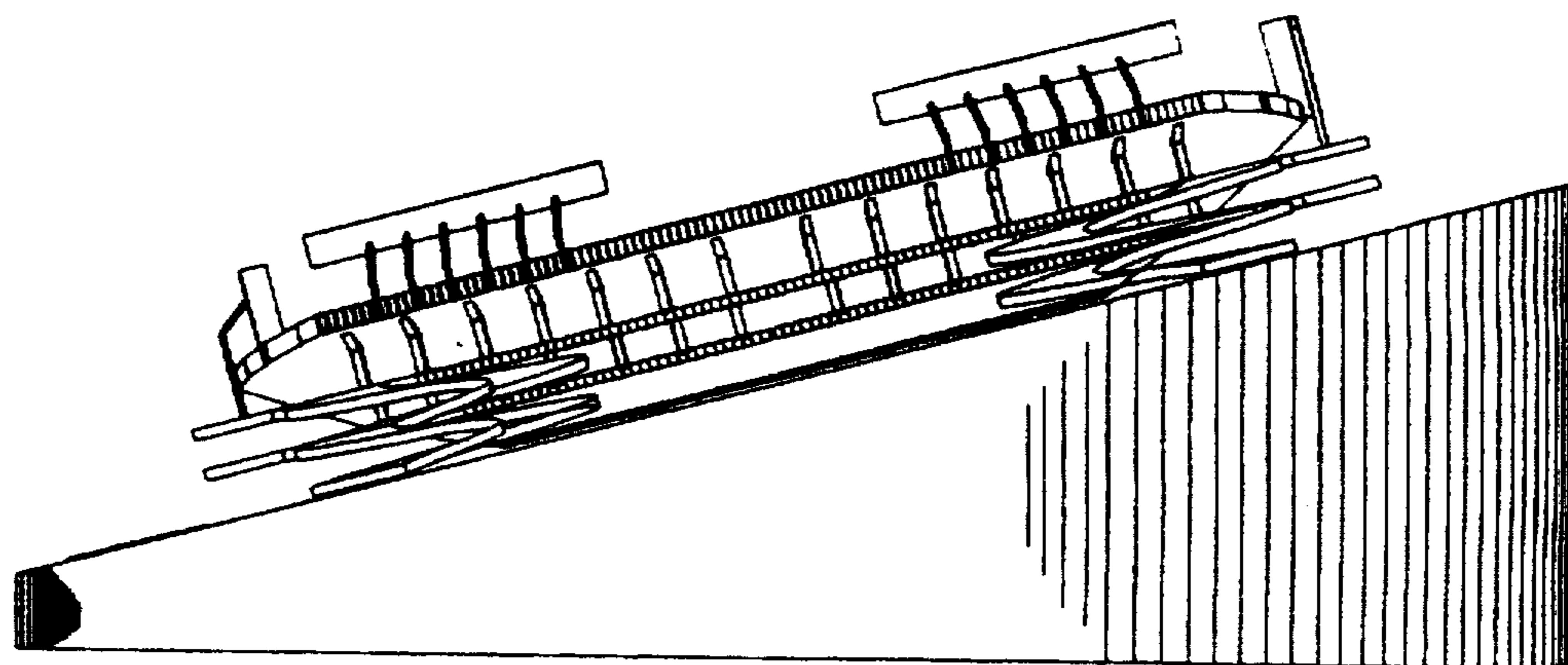


FIG. 3

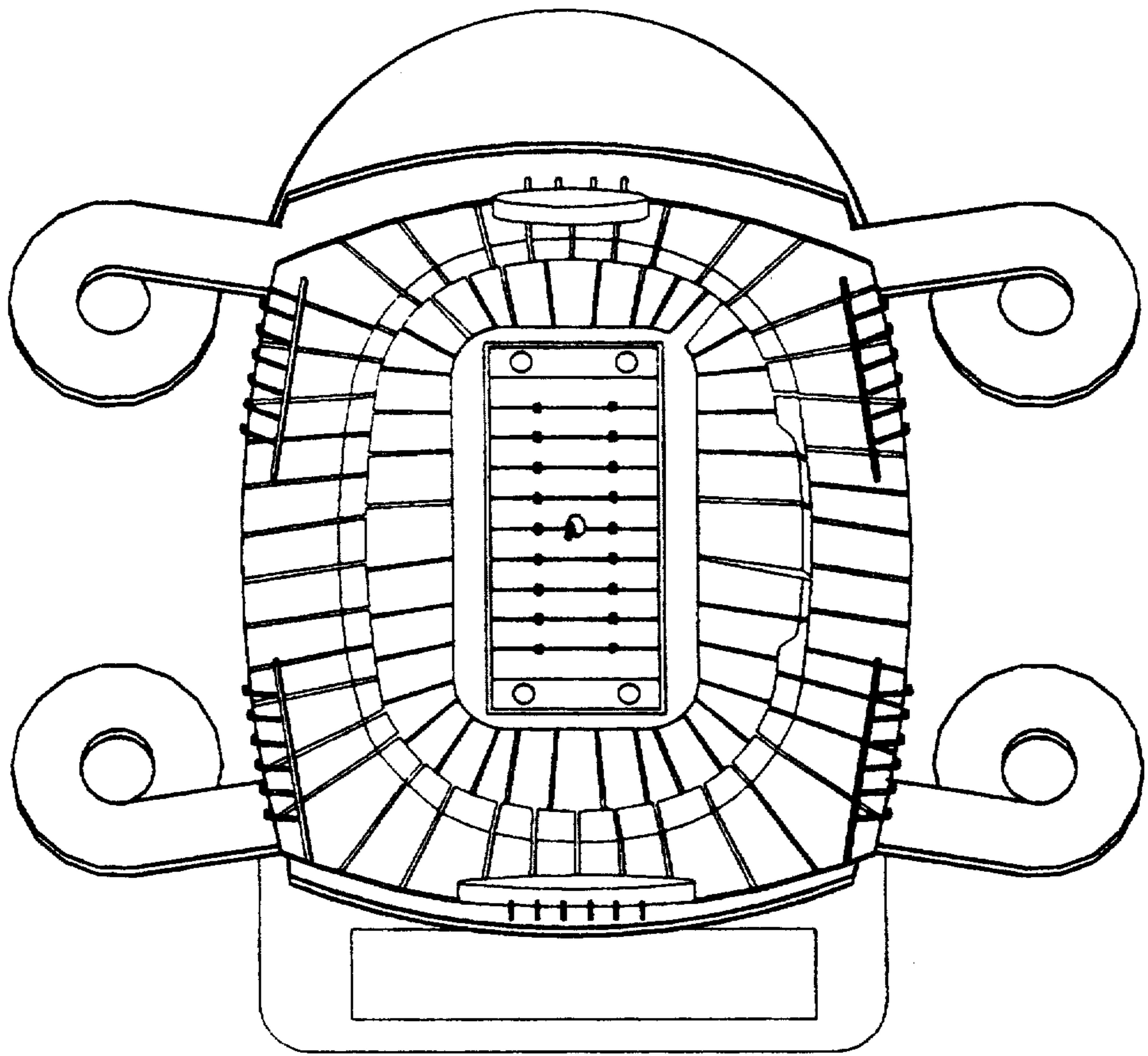


FIG. 4

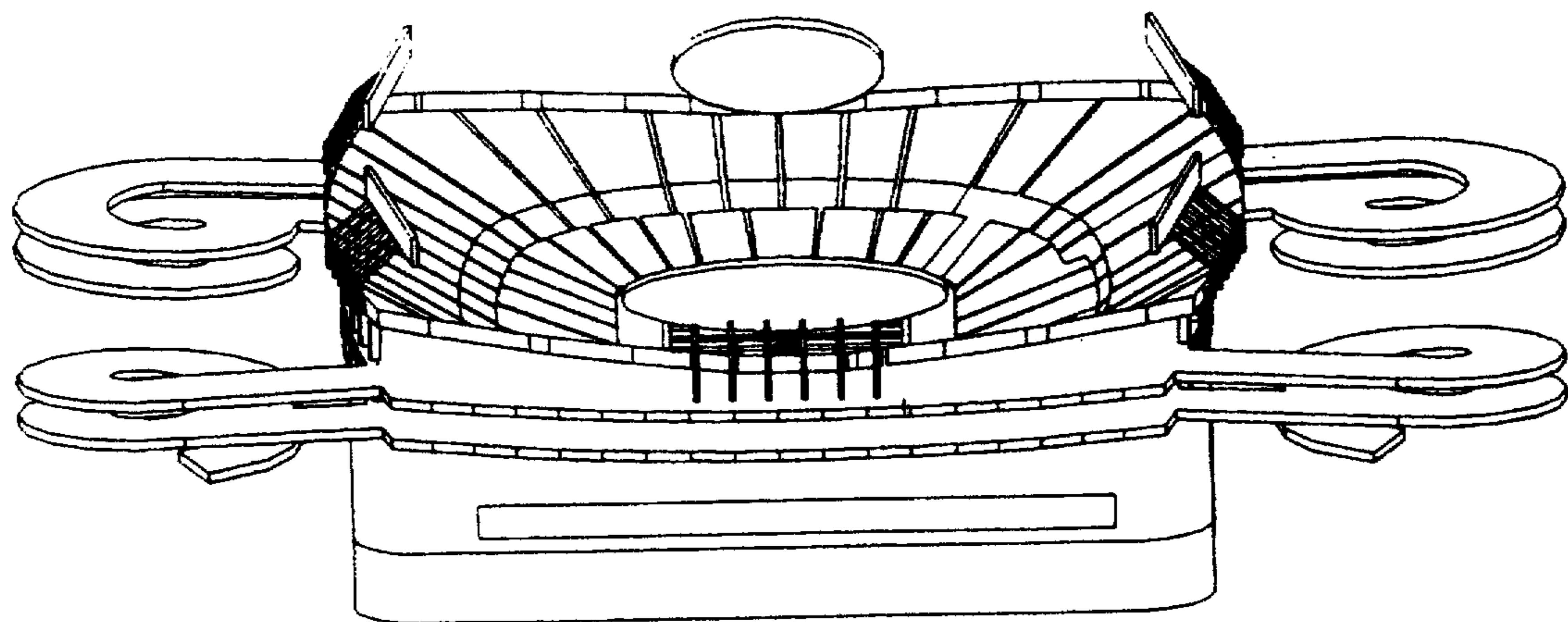


FIG. 5

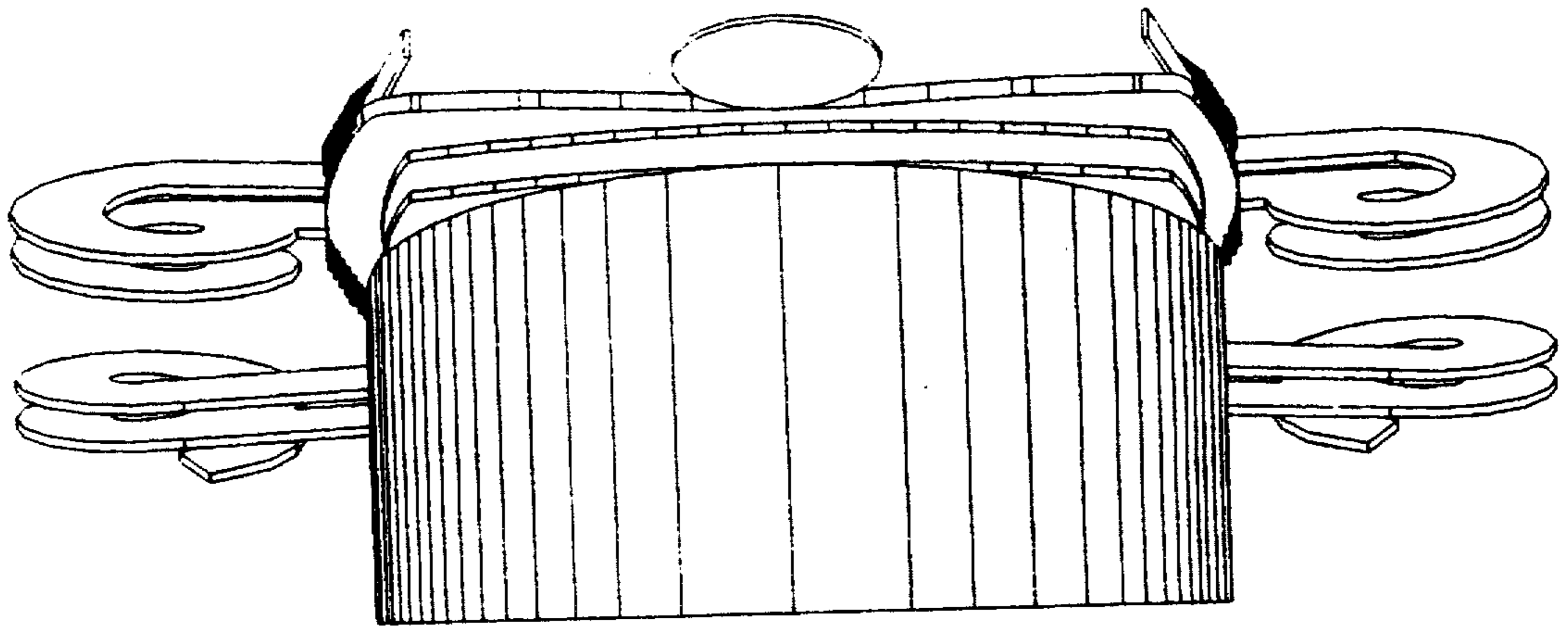


FIG. 6

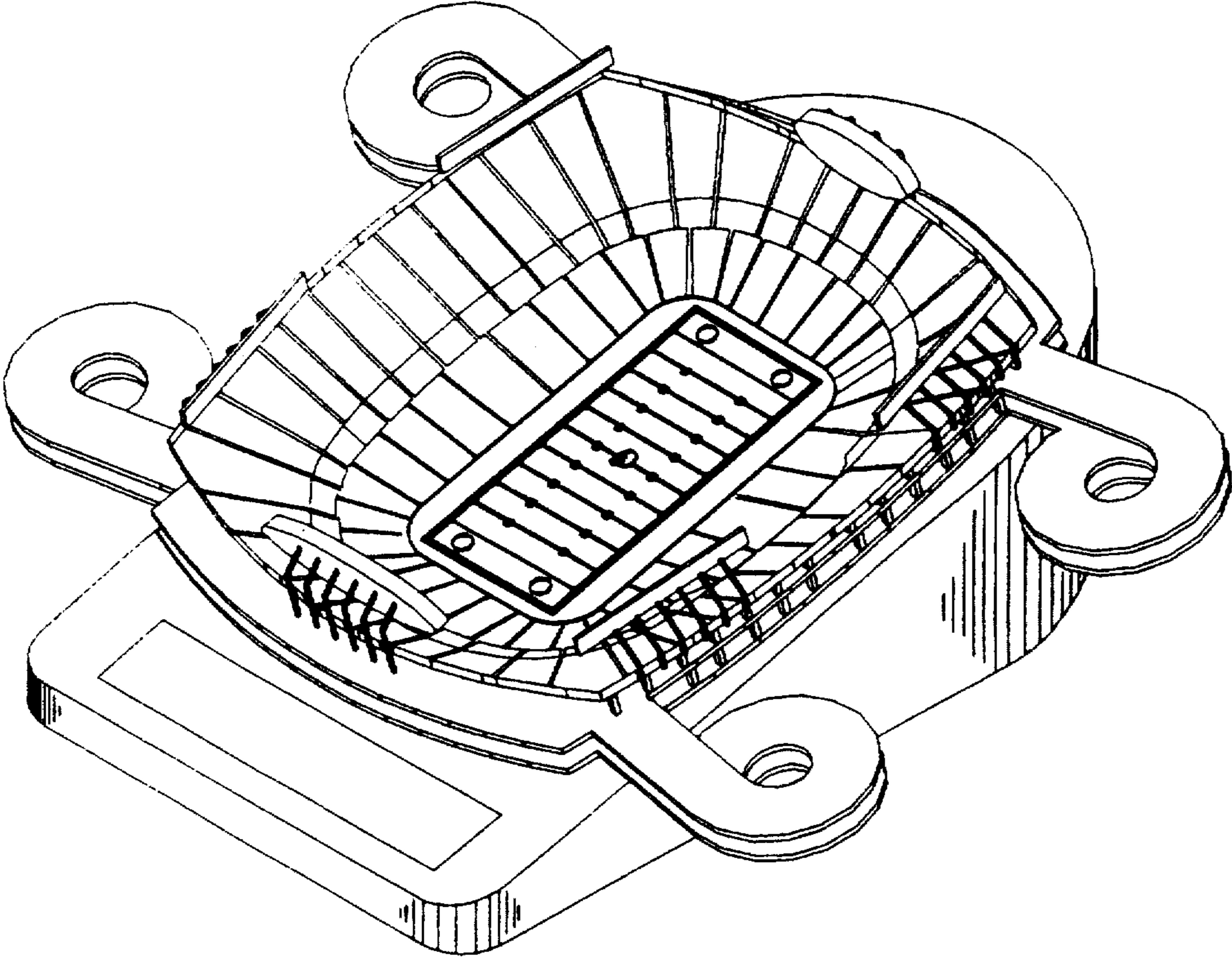


FIG. 7