



US00D382227S

United States Patent [19]

[11] Patent Number: Des. 382,227

Adams et al.

[45] Date of Patent: **Aug. 12, 1997

[54] TREE STAND

[75] Inventors: **William E. Adams**, Portersville;
Chinmoy Raval, Pittsburgh;
Christopher Stygar, Pittsburgh; **Tim Cunningham**, Pittsburgh, all of Pa.

[73] Assignee: **Adams Mfg. Corp.**, Portersville, Pa.

[**] Term: **14 Years**

[21] Appl. No.: **52,867**

[22] Filed: **Apr. 10, 1996**

[51] LOC (6) Cl. **11-05**

[52] U.S. Cl. **D11/130.1**

[58] Field of Search **D11/130.1; 47/40.5;**
248/519, 527, 529

3,484,067	12/1969	Fulper	248/44
4,261,138	4/1981	St. George Syms	47/40.5
4,399,973	8/1983	Spry et al.	248/524
4,436,272	3/1984	Lile et al.	248/527
5,157,868	10/1992	Munoz	47/40.5
5,236,167	8/1993	Tai et al.	47/40.5 X
5,249,772	10/1993	Montie, Jr. et al.	248/523

OTHER PUBLICATIONS

Catalogue entitled "Country Holidays Lites Up," 1996, Gary Products Groups, Inc..

Primary Examiner—Dominic Simone

Attorney, Agent, or Firm—Buchanan Ingersoll, P.C.; Lynn J. Alstadt

[57] CLAIM

The ornamental design for a tree stand, as shown and described.

References Cited

U.S. PATENT DOCUMENTS

D. 217,274	4/1970	Long	D11/130.1
D. 343,593	1/1994	Lawrence et al.	D11/130.1
1,570,403	1/1926	Ripczinske .	
2,500,215	3/1950	Swearingen	248/46
2,617,617	11/1952	Krastel et al.	248/44
2,938,304	5/1960	Thomas et al.	47/57.5
3,119,585	1/1964	Austenson	248/44

DESCRIPTION

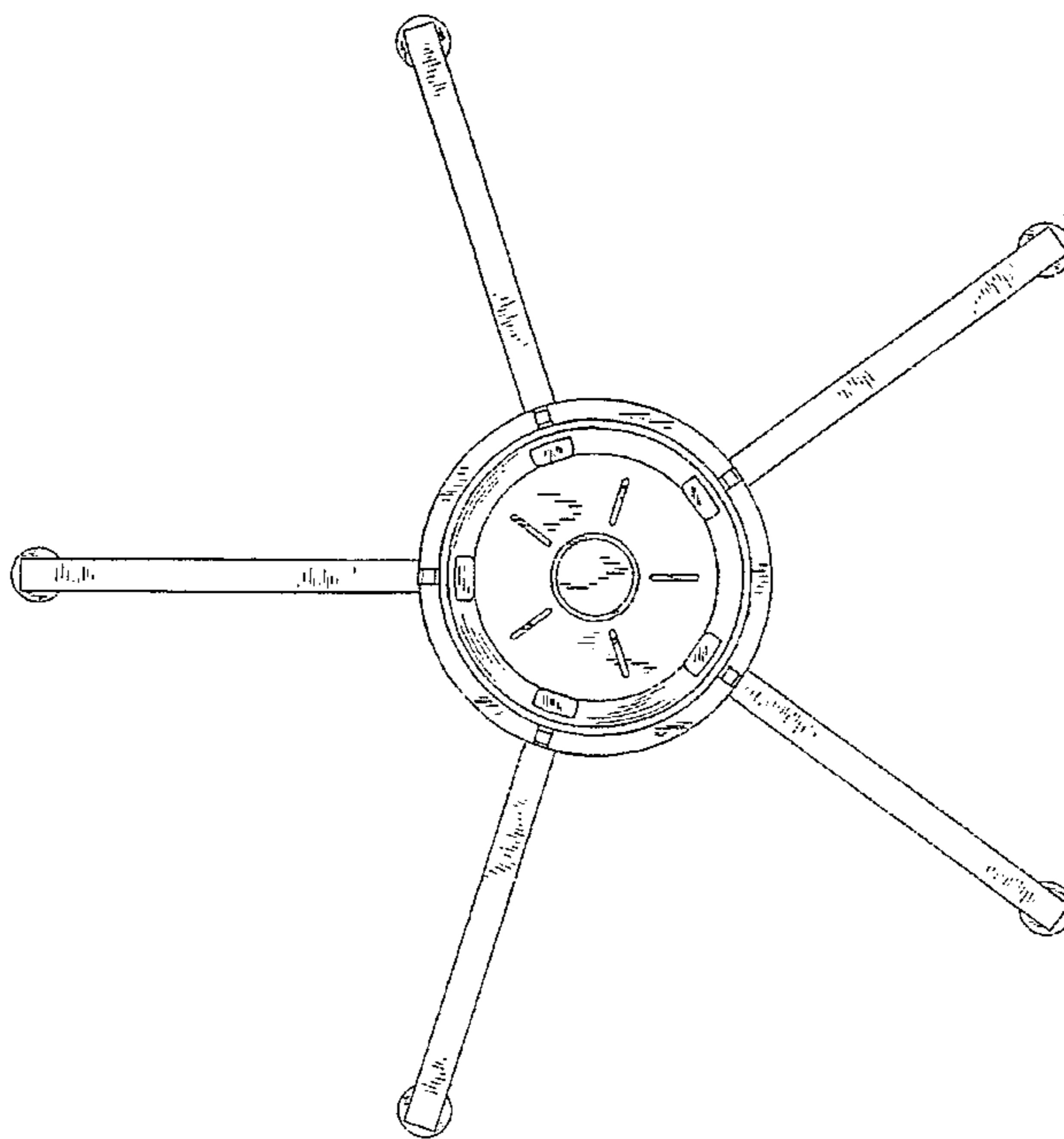
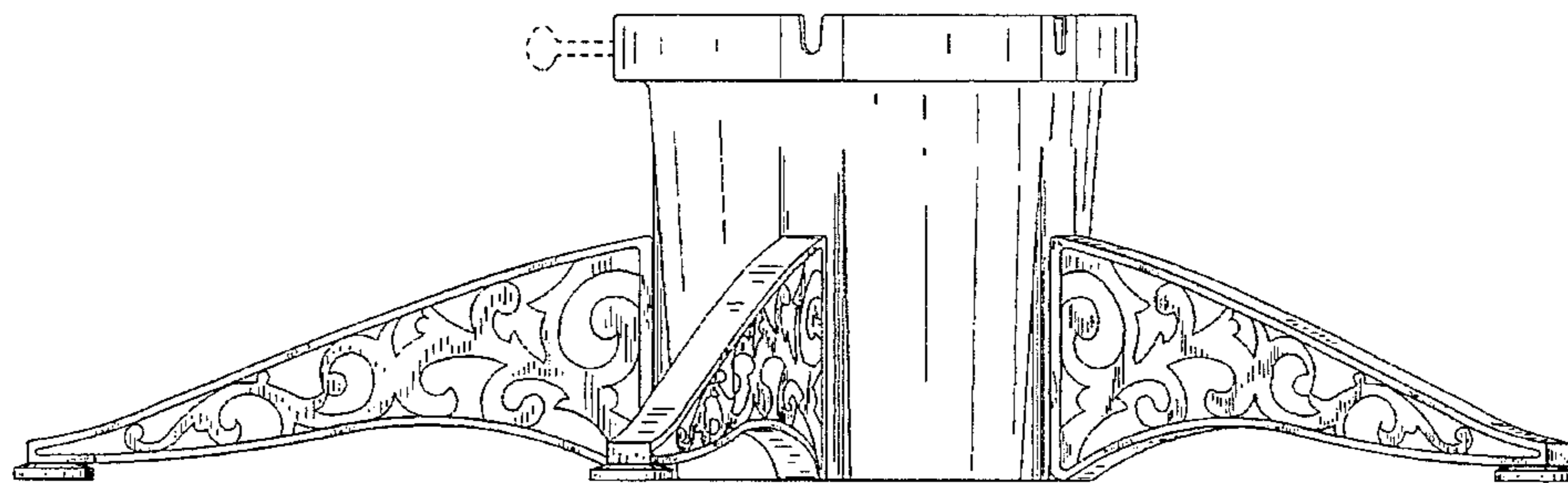
FIG. 1 is a side elevational view of a tree stand showing my new design, all sides being identical;

FIG. 2 is a top plan view thereof; and,

FIG. 3 is a bottom view thereof.

The thumb screw shown in dotted line in FIG. 1 is not considered to be part of the design.

1 Claim, 3 Drawing Sheets



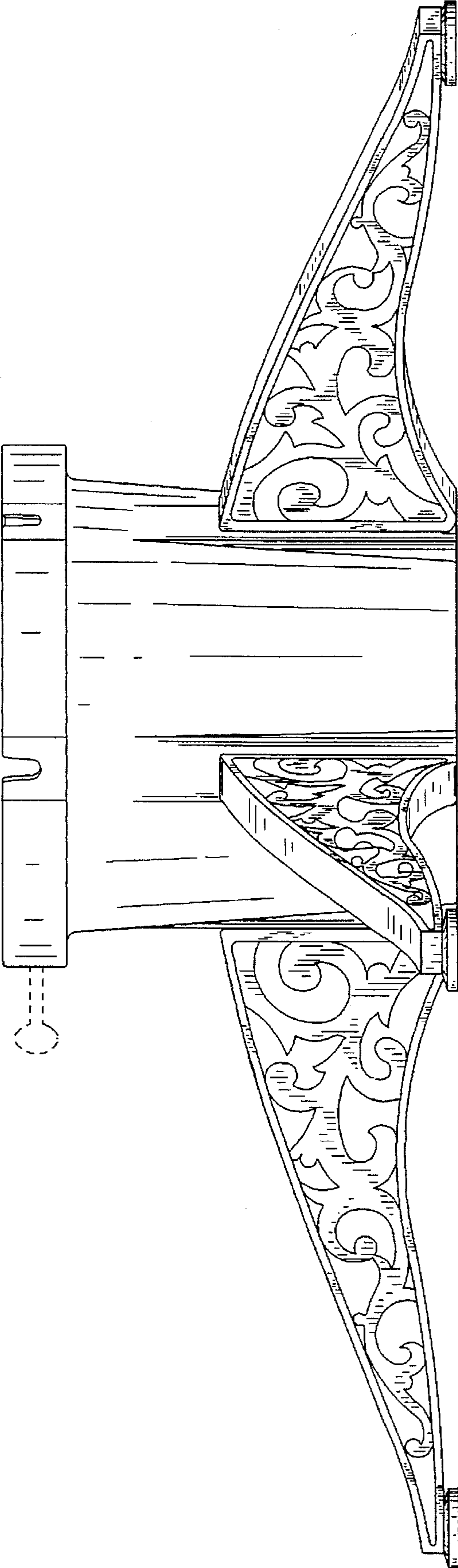


Fig. 1.

Fig. 2.

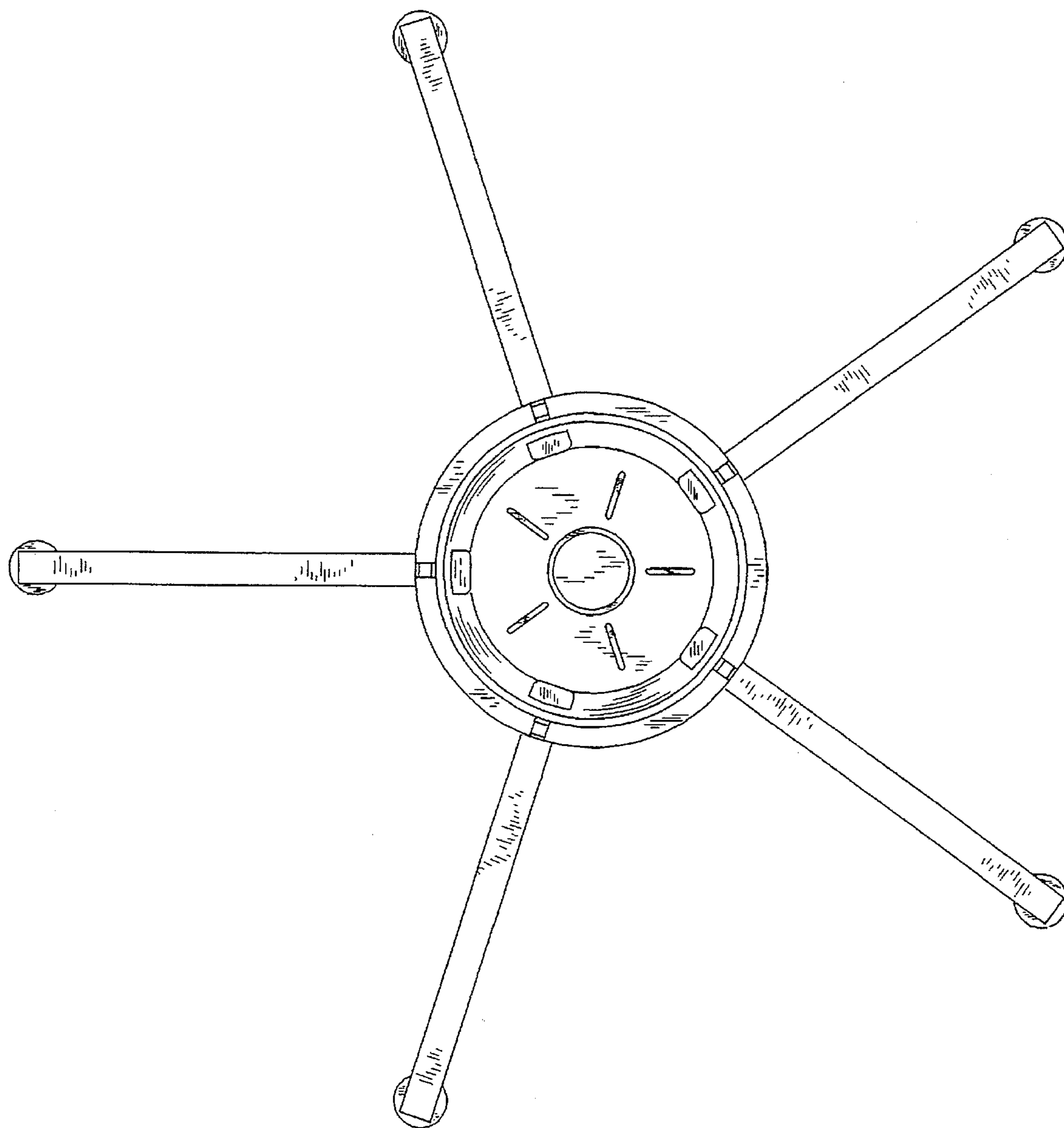


Fig. 3.

