



US00D382221S

United States Patent [19]
Chen

[11] **Patent Number: Des. 382,221**

[45] **Date of Patent: **Aug. 12, 1997**

[54] **SIREN**

D. 313,195 12/1990 Memmola D10/120
D. 345,317 3/1994 Issa D10/120
D. 347,596 6/1994 Jackson D10/120

[75] **Inventor: Susan Chen, Taipei Hsien, Taiwan**

[73] **Assignee: Portman Electronic International Corp., Taipei Hsien, Taiwan**

Primary Examiner—Marcus A. Jackson
Attorney, Agent, or Firm—Jacobson, Price, Holman & Stern, PLLC

[**] **Term: 14 Years**

[57] **CLAIM**

[21] **Appl. No.: 55,405**

The ornamental design for a siren, as shown and described.

[22] **Filed: Jun. 5, 1996**

DESCRIPTION

[51] **LOC (6) Cl. 10-06**

[52] **U.S. Cl. D10/120**

[58] **Field of Search** D10/104, 106,
D10/116, 120, 121; 340/384.1, 384.3, 384.7,
388.1, 390.1, 391.1, 391.2, 392.1, 392.2,
392.4

FIG. 1 is the perspective view of a siren showing my new design;

FIG. 2 is a front elevational view thereof;

FIG. 3 is the rear elevational view thereof;

FIG. 4 is the left side elevational view thereof;

FIG. 5 is the right side elevational view thereof;

FIG. 6 is the top plan view thereof; and,

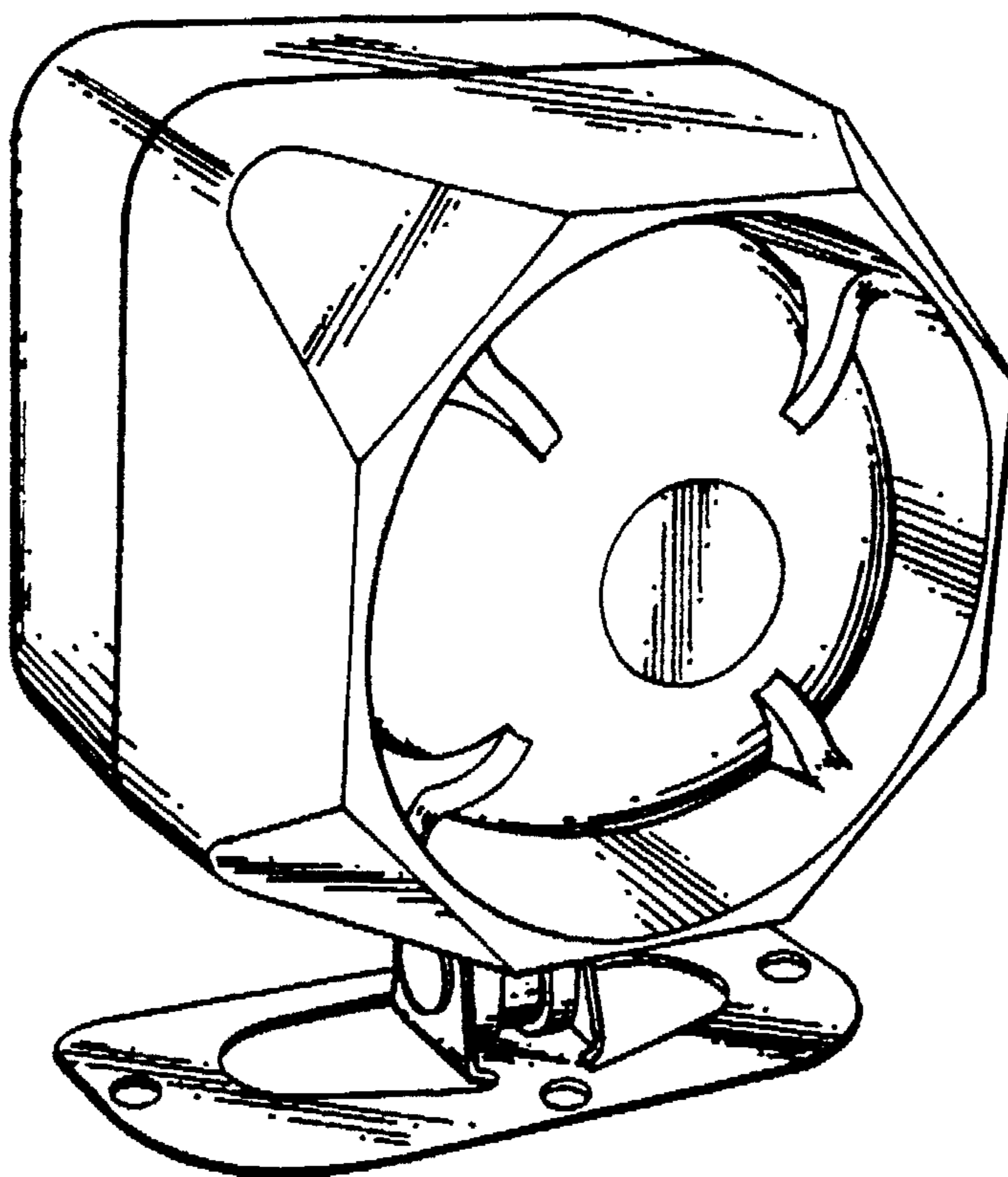
FIG. 7 is the bottom plan view thereof.

[56] **References Cited**

U.S. PATENT DOCUMENTS

D. 292,498 10/1987 Hayaski D10/120

1 Claim, 3 Drawing Sheets



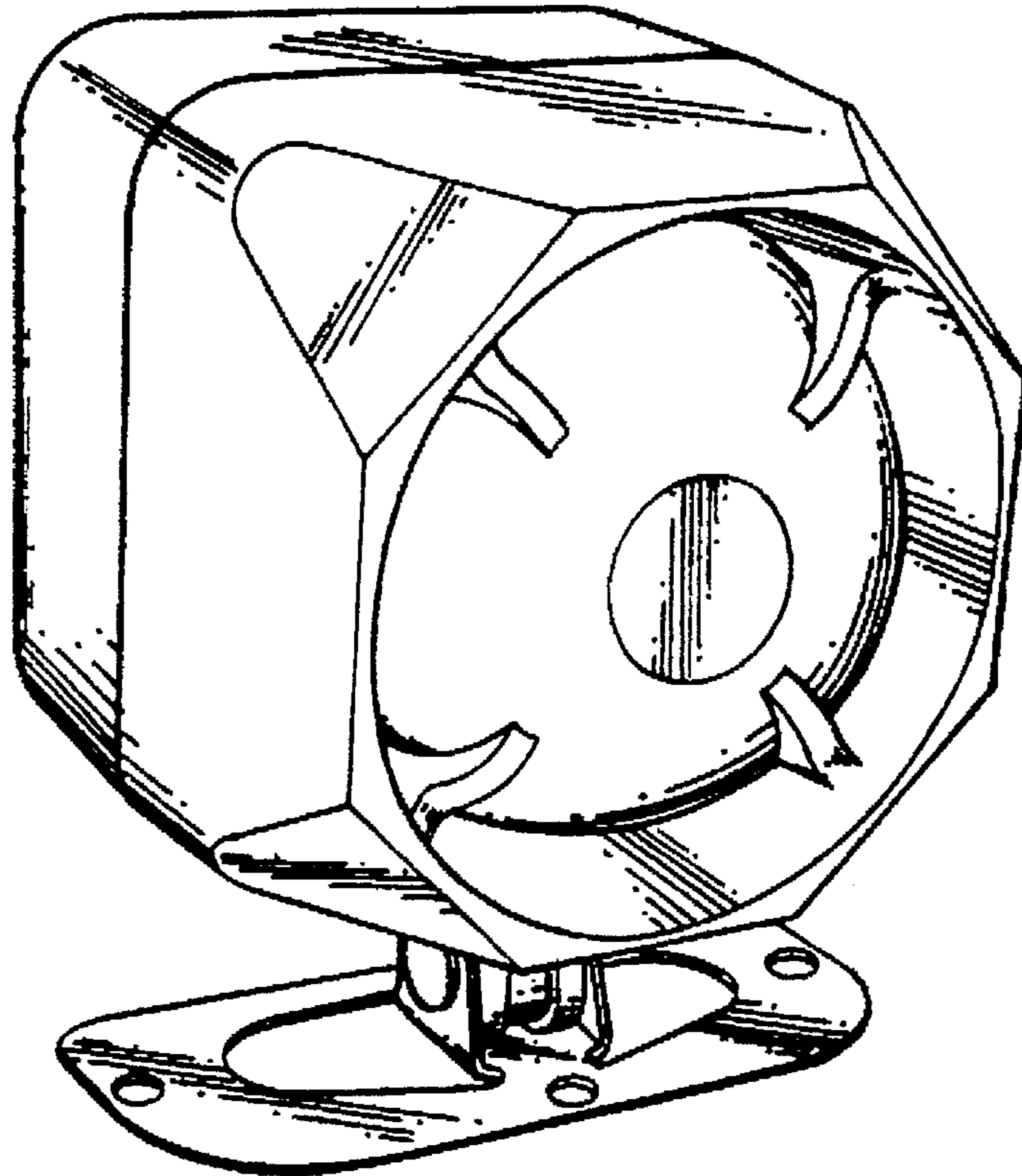


FIG. 1

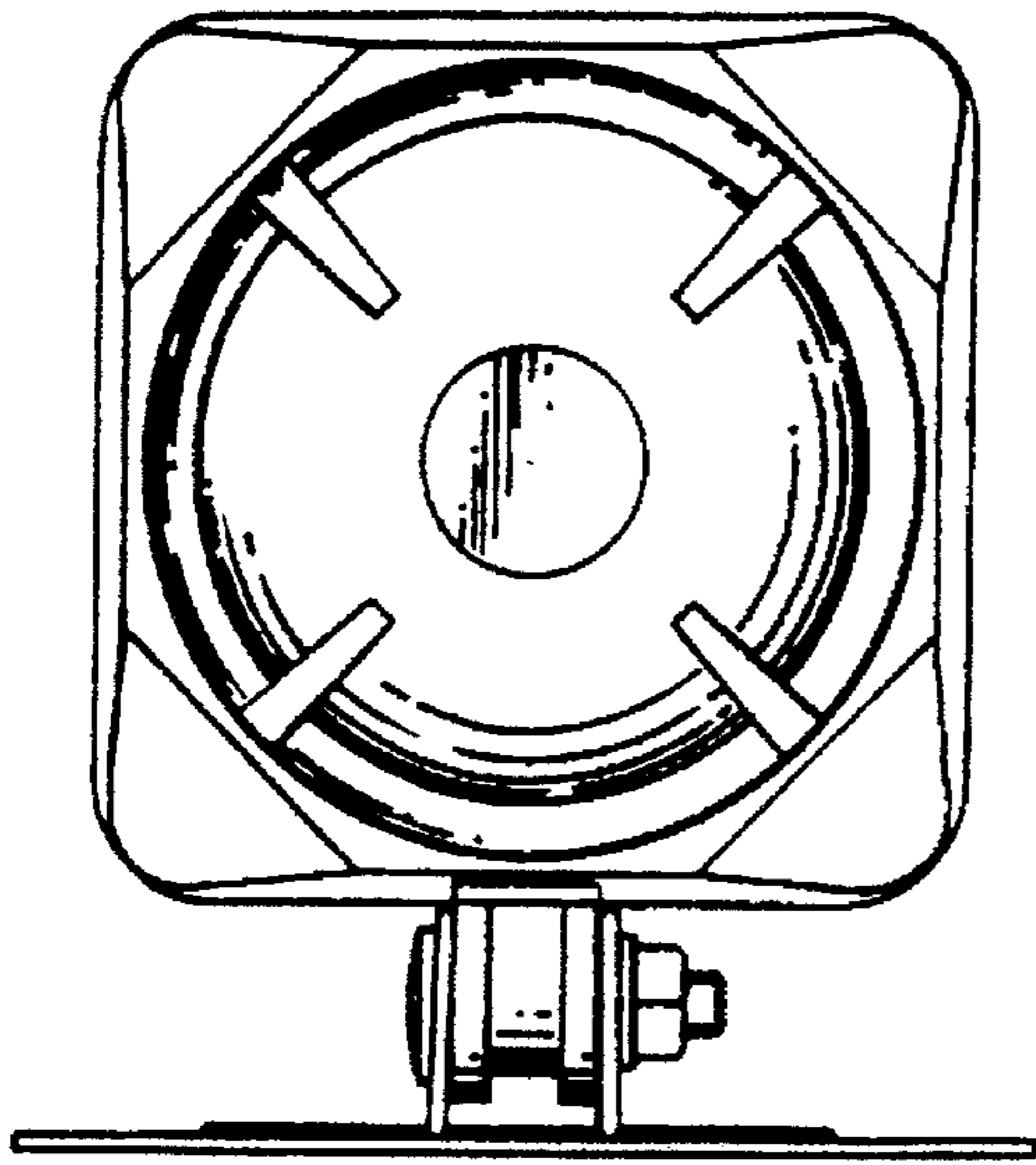


FIG. 2

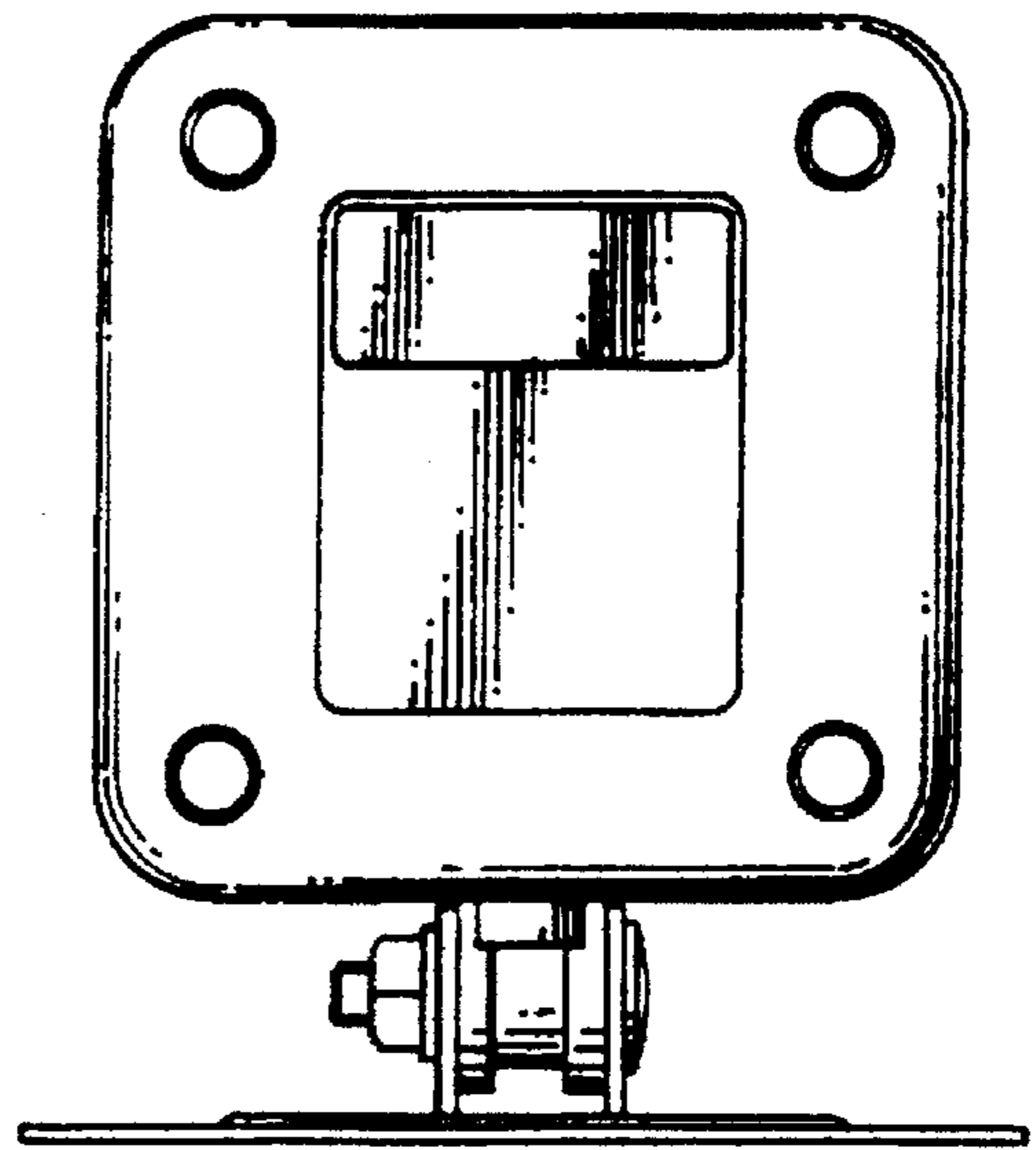


FIG. 3

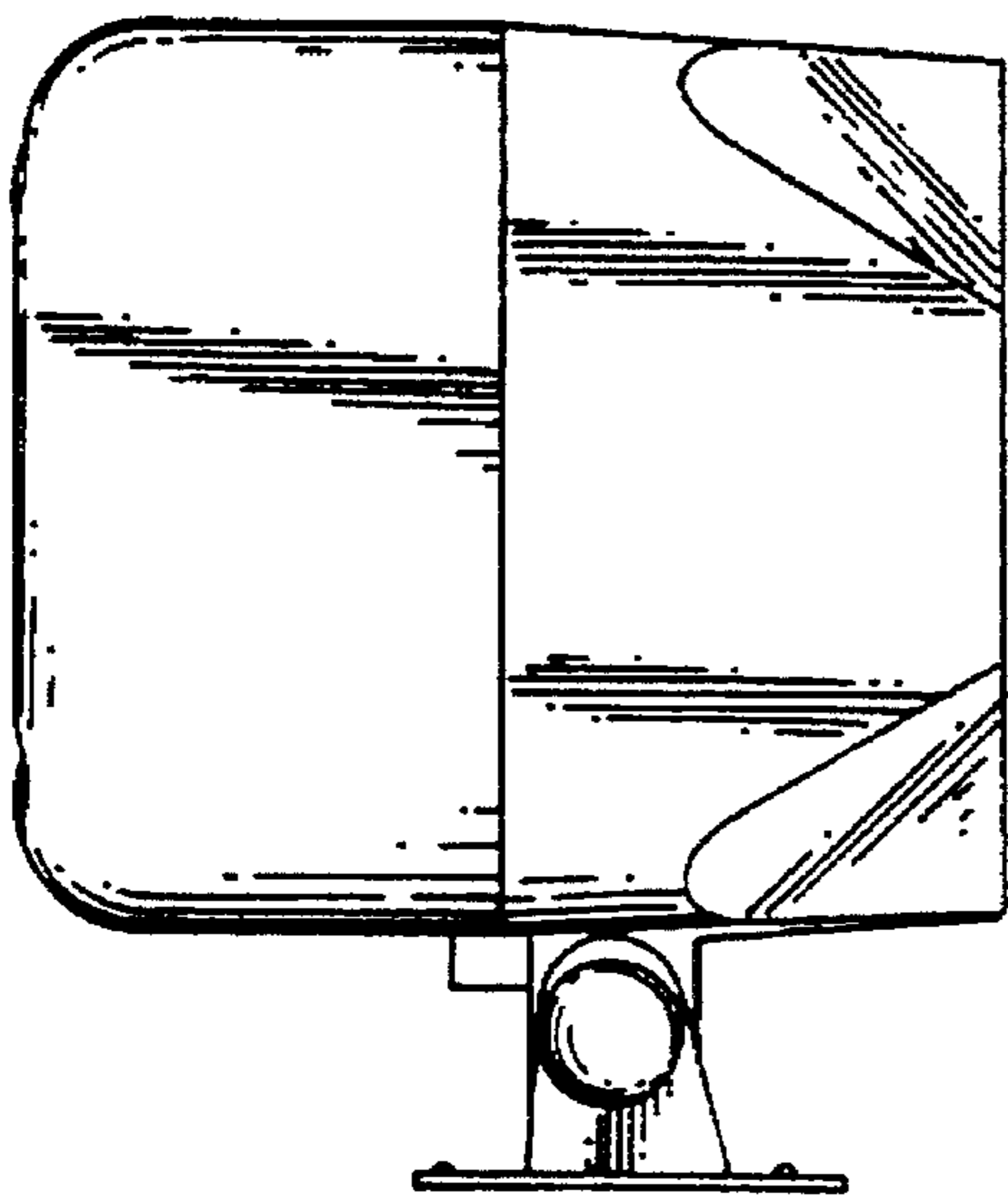


FIG. 4

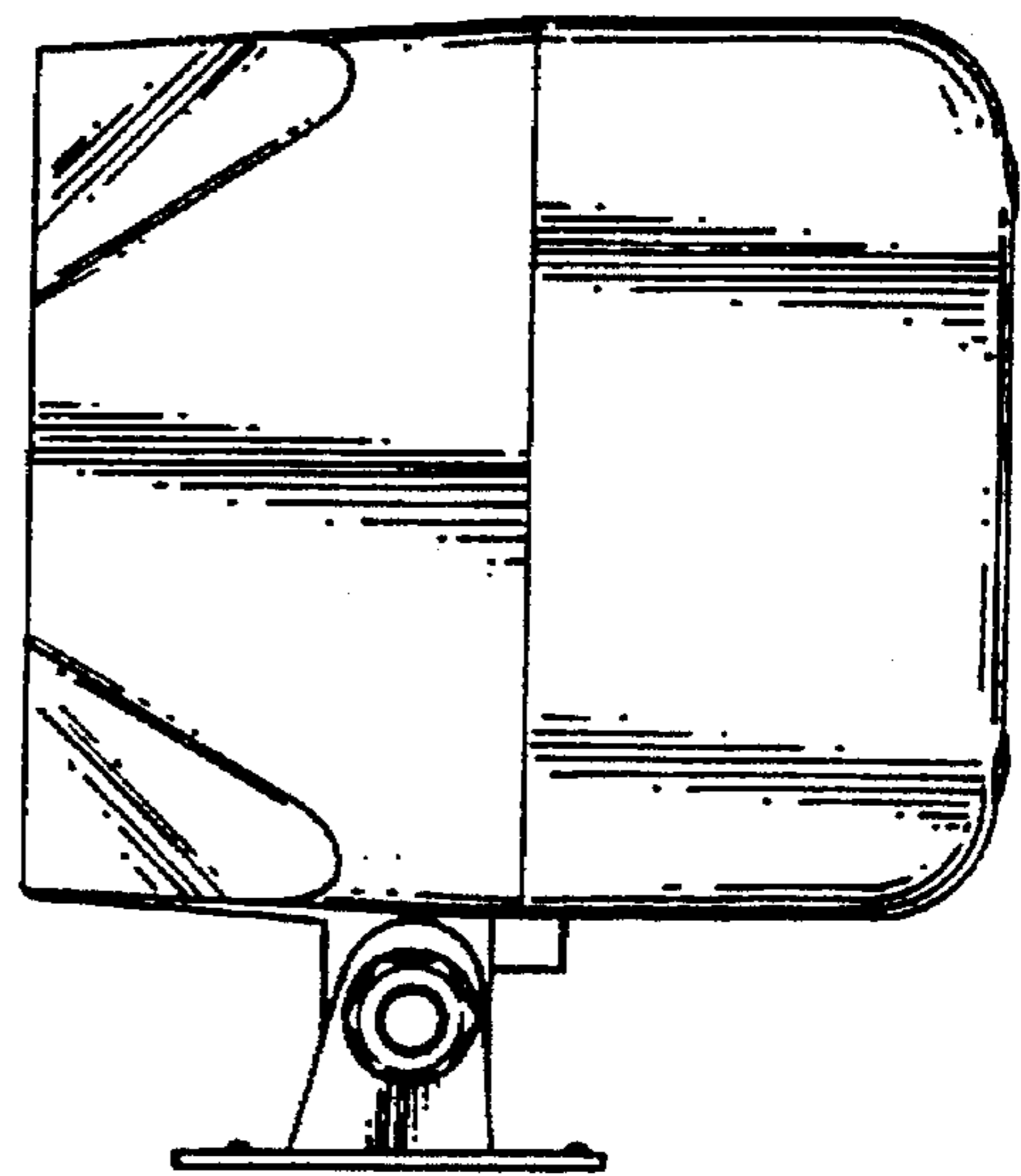


FIG. 5

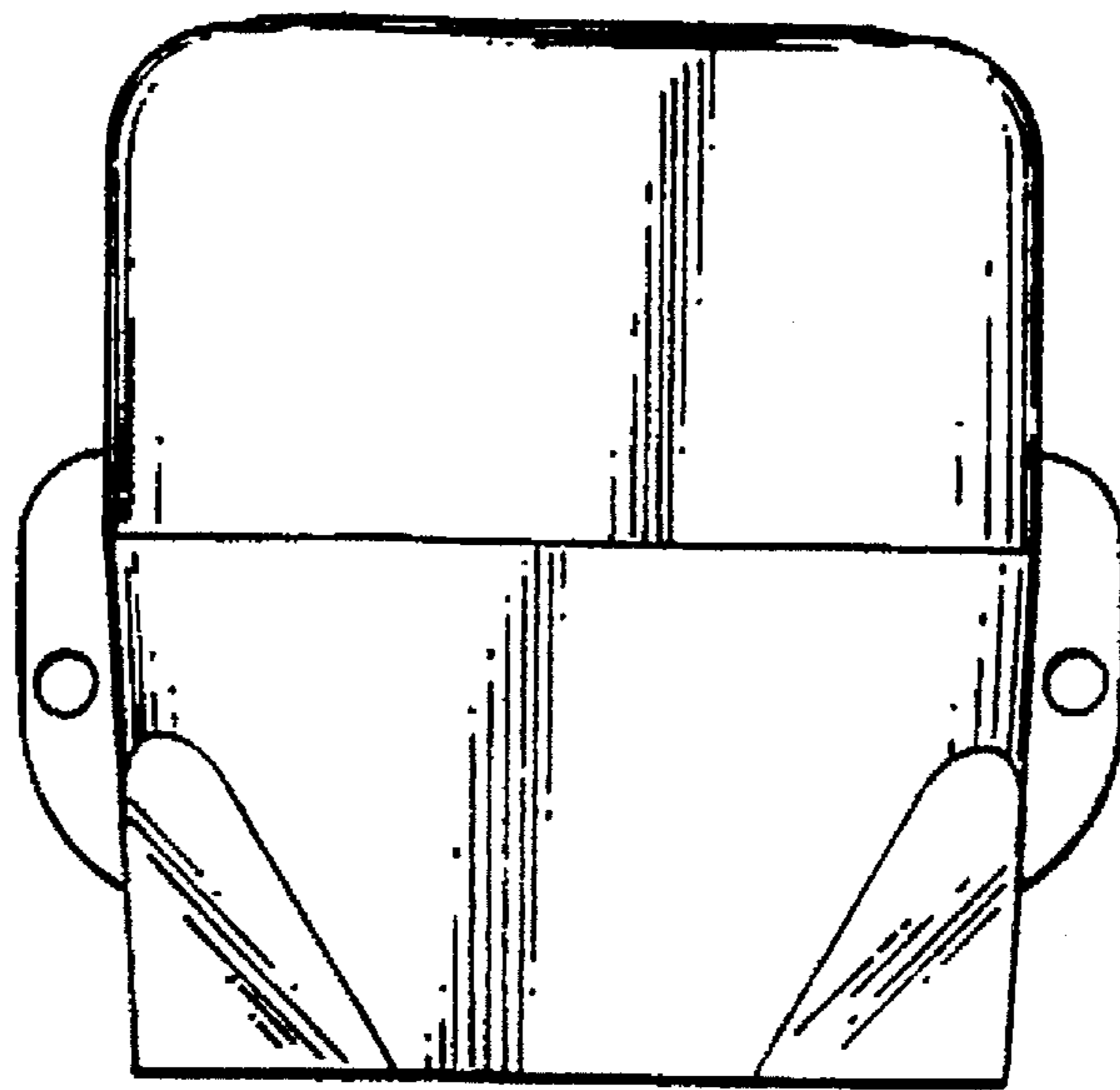


FIG. 6

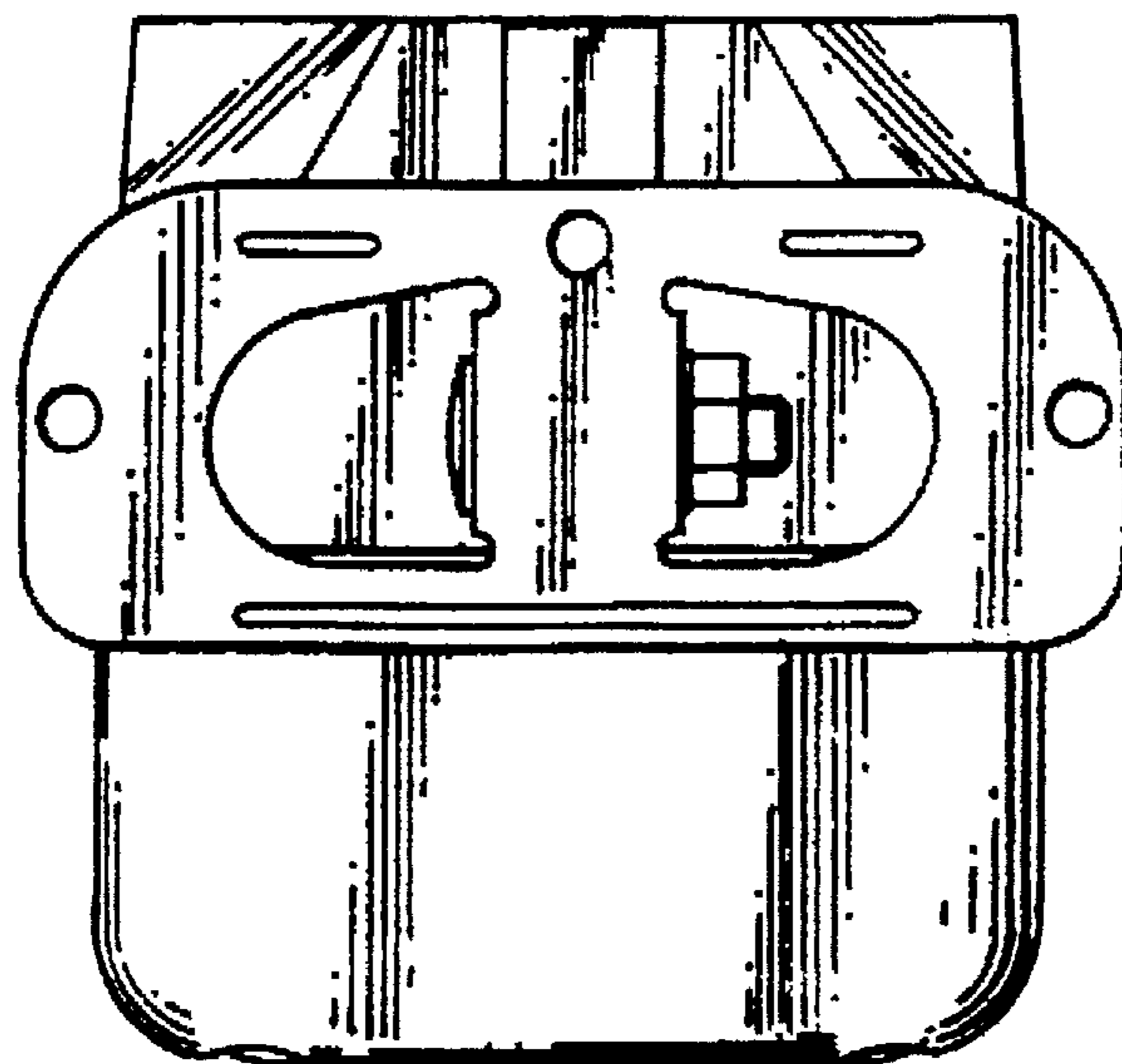


FIG. 7