



US00D382215S

United States Patent [19]
Kok

[11] **Patent Number: Des. 382,215**

[45] **Date of Patent: **Aug. 12, 1997**

[54] **KITCHEN SCALE**

[75] **Inventor: Patrick C. C. Kok, Kowloon, Hong Kong**

[73] **Assignee: Poyear Industries Limited, Kowloon, Hong Kong**

[**] **Term: 14 Years**

[21] **Appl. No.: 49,503**

[22] **Filed: Jan. 26, 1996**

[51] **LOC (6) Cl. 10-04**

[52] **U.S. Cl. D10/91**

[58] **Field of Search D10/91; 177/225, 177/227, 228, 229, 230, 231, 238, 240, 241, 242, 243, 245, 262**

[56] **References Cited**

U.S. PATENT DOCUMENTS

D. 316,683 5/1991 Minuti D10/91

Primary Examiner—Antoine Duval Davis
Attorney, Agent, or Firm—Beveridge, DeGrandi, Weilacher & Young, L.L.P.

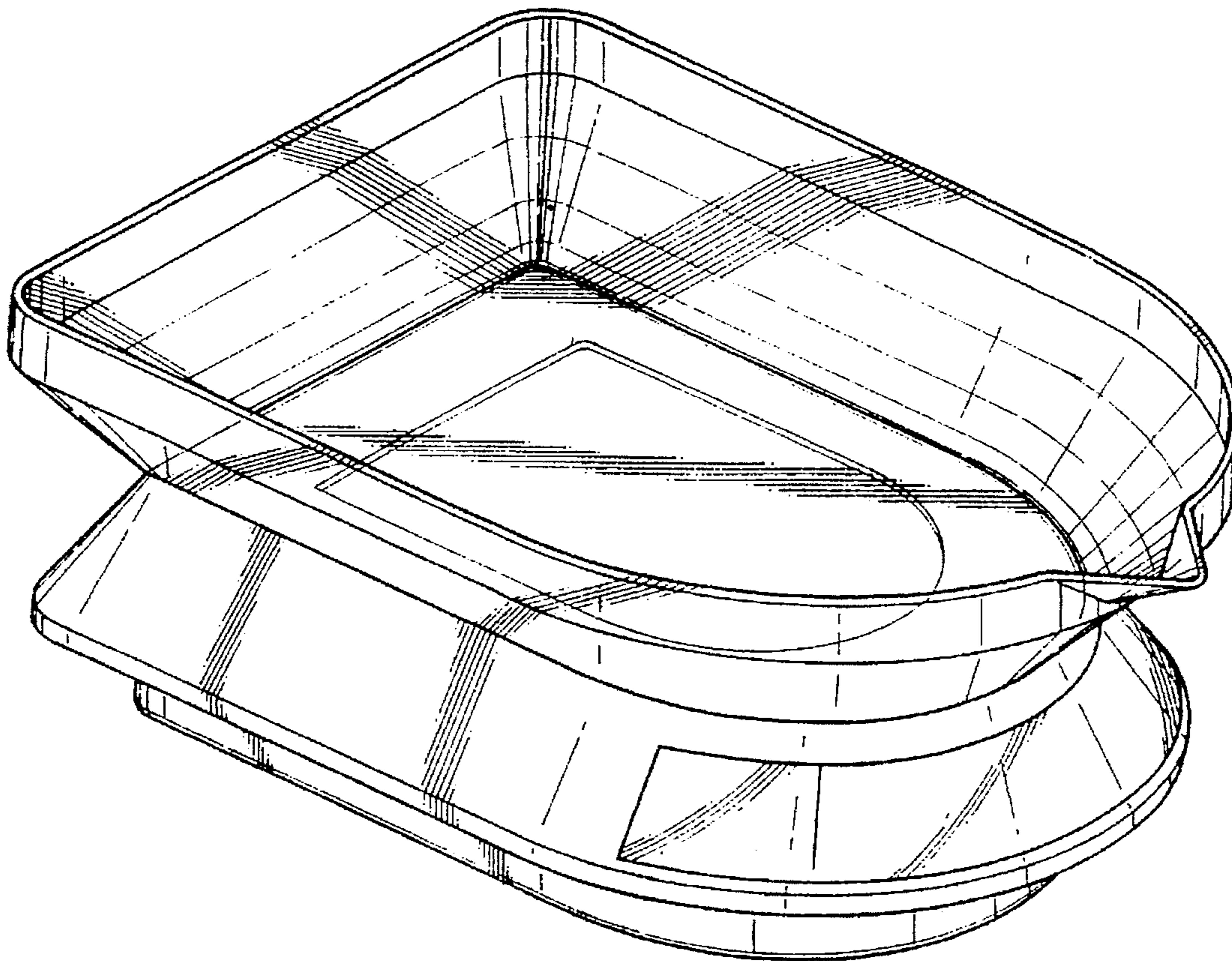
[57] **CLAIM**

The ornamental design for a kitchen scale, as shown and described.

DESCRIPTION

FIG. 1 is a top, front and left side perspective view of a kitchen scale showing my new design;
FIG. 2 is a front elevational view thereof;
FIG. 3 is a back elevational view thereof;
FIG. 4 is a left side elevational view thereof;
FIG. 5 is a top elevational view thereof;
FIG. 6 is a bottom elevational view thereof; and,
FIG. 7 is a top, front and left side perspective elevational view (the scale pan removed).

1 Claim, 7 Drawing Sheets



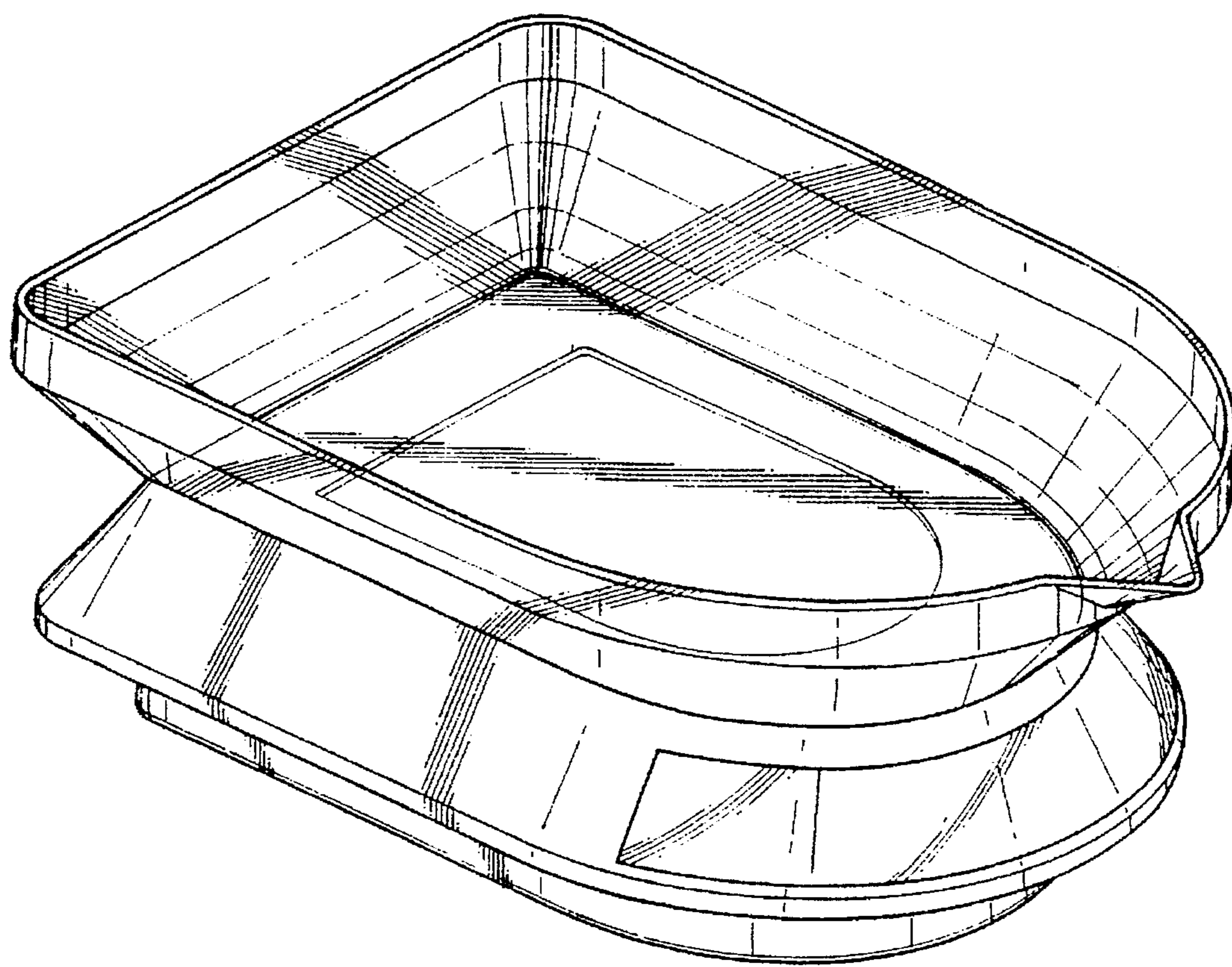


FIG. 1

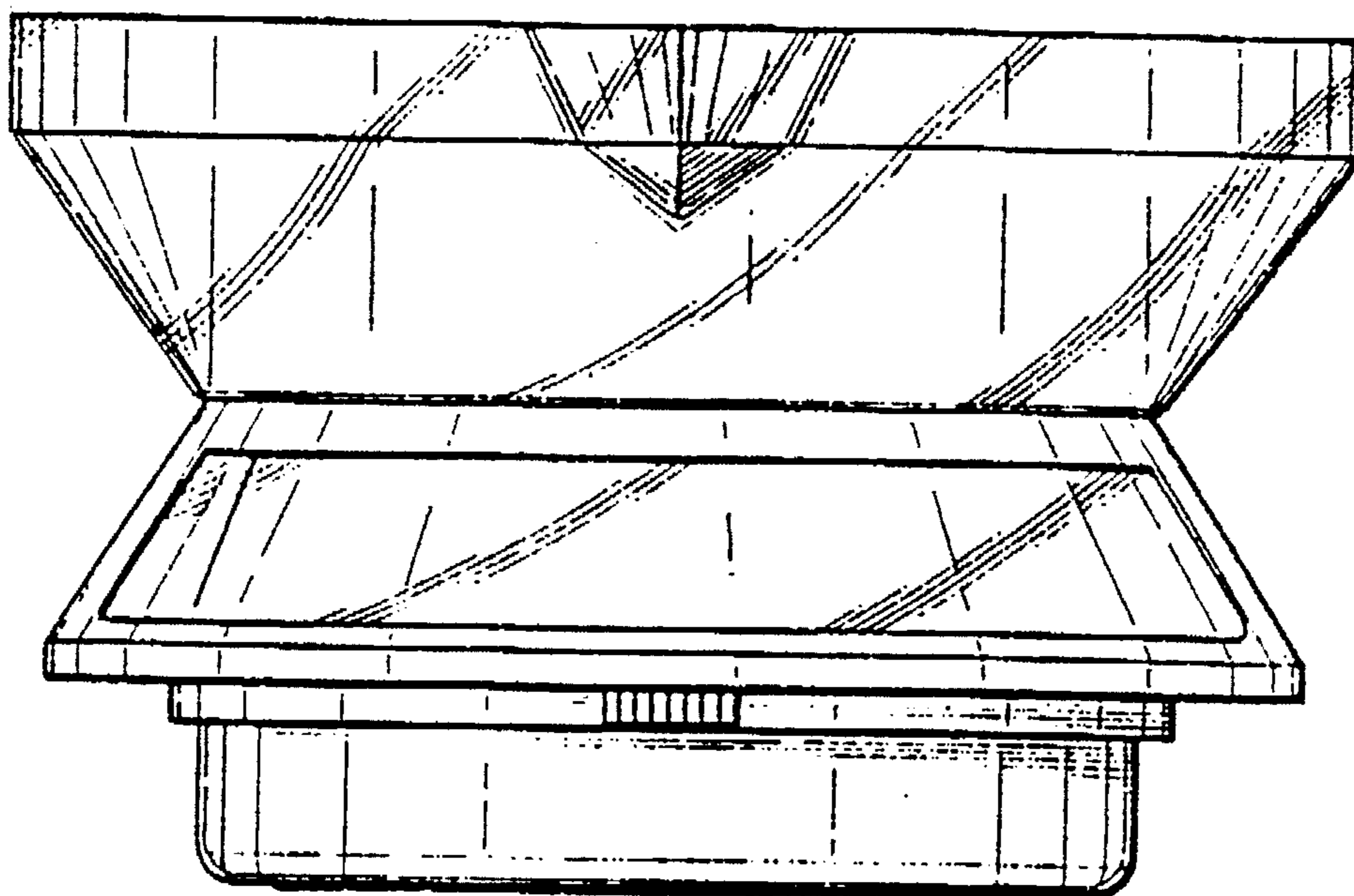


FIG. 2

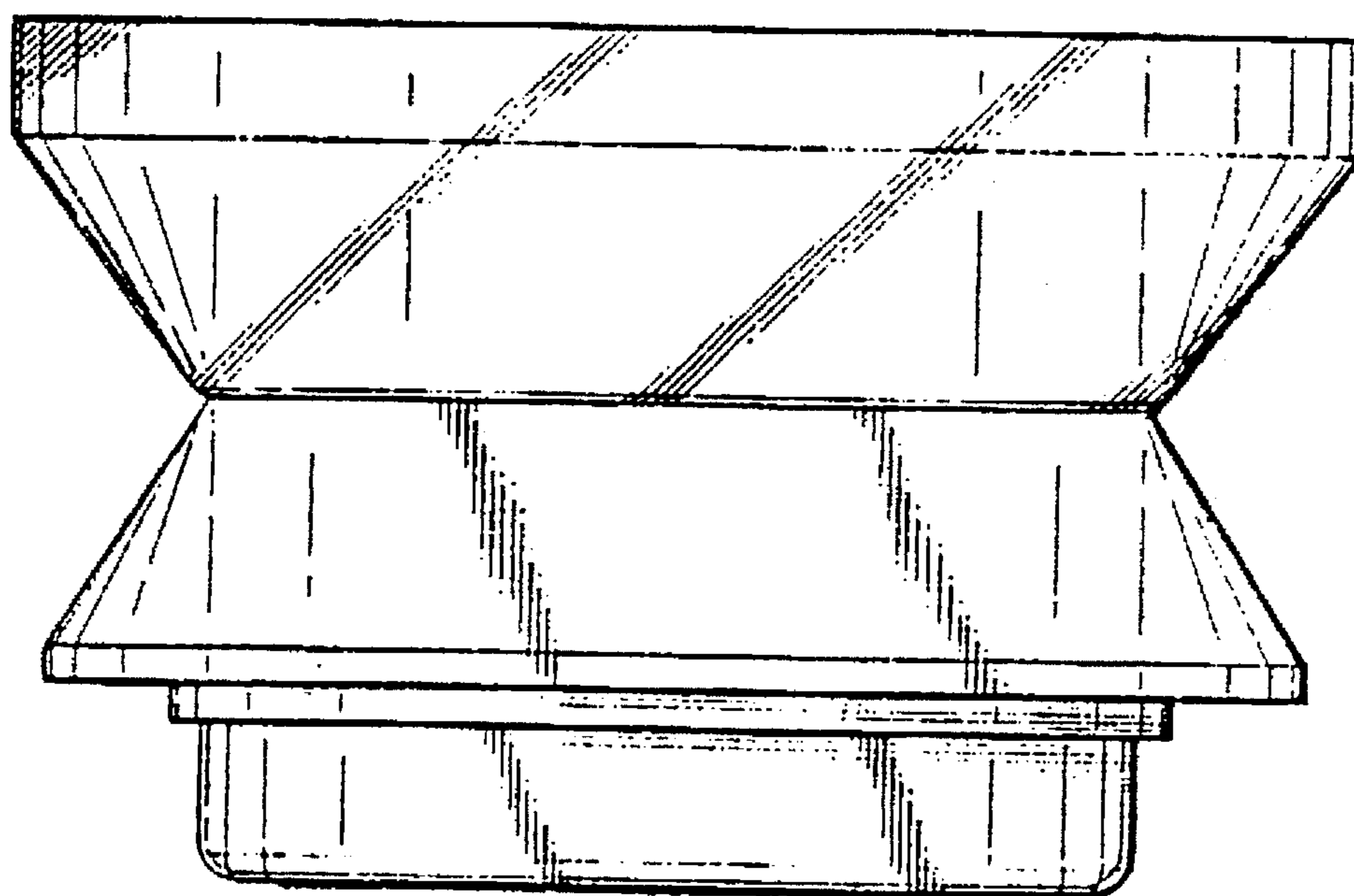


FIG. 3

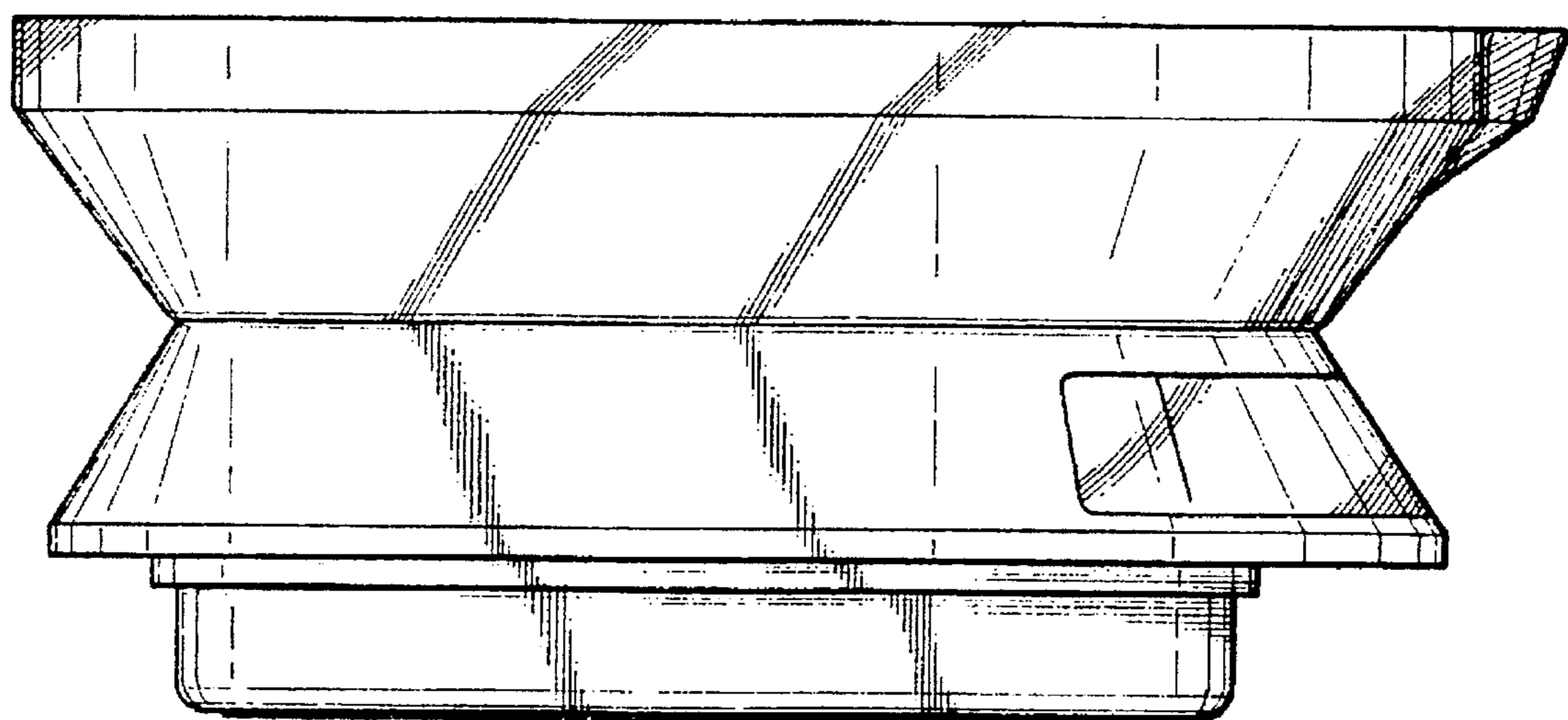


FIG. 4

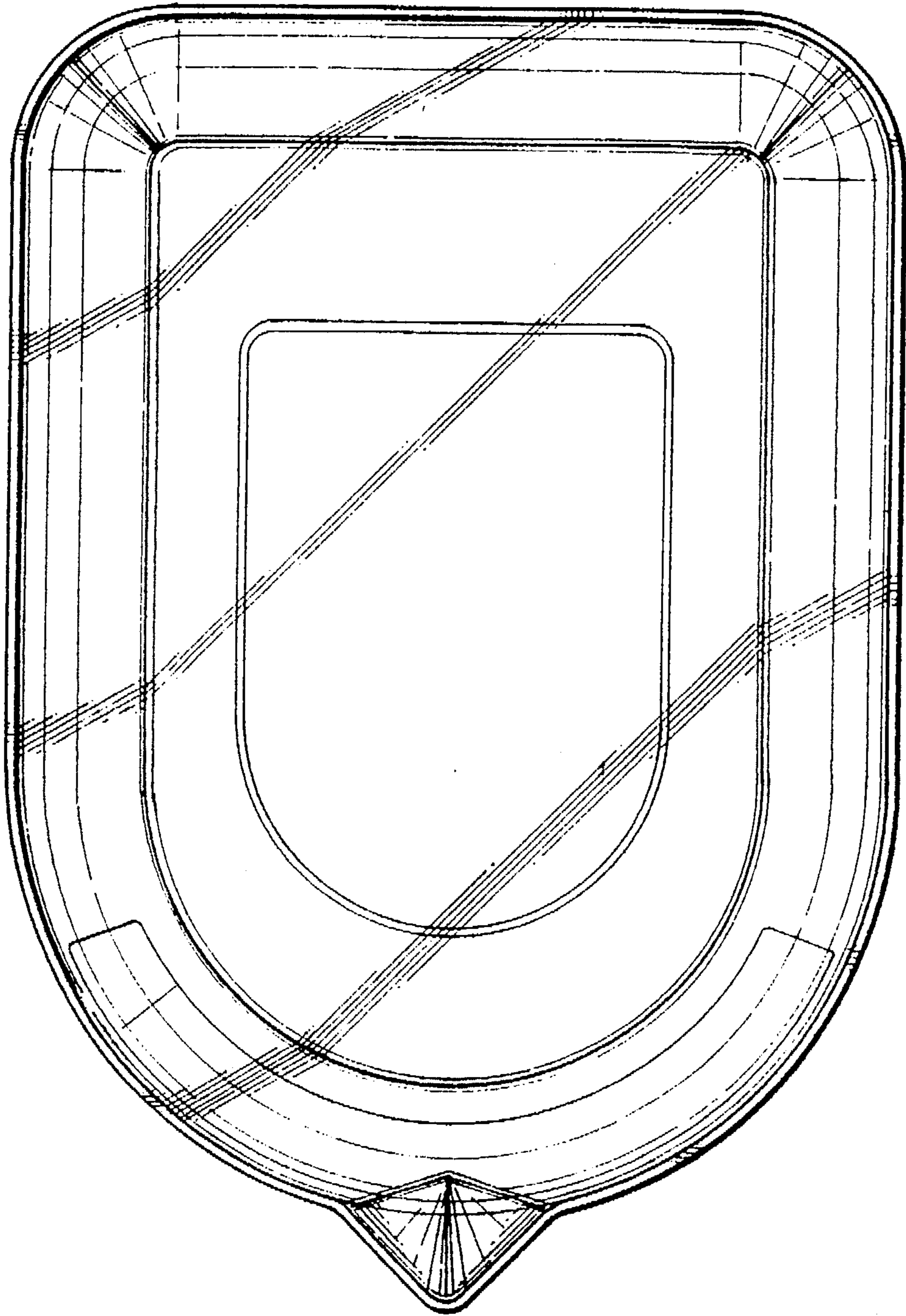


FIG. 5

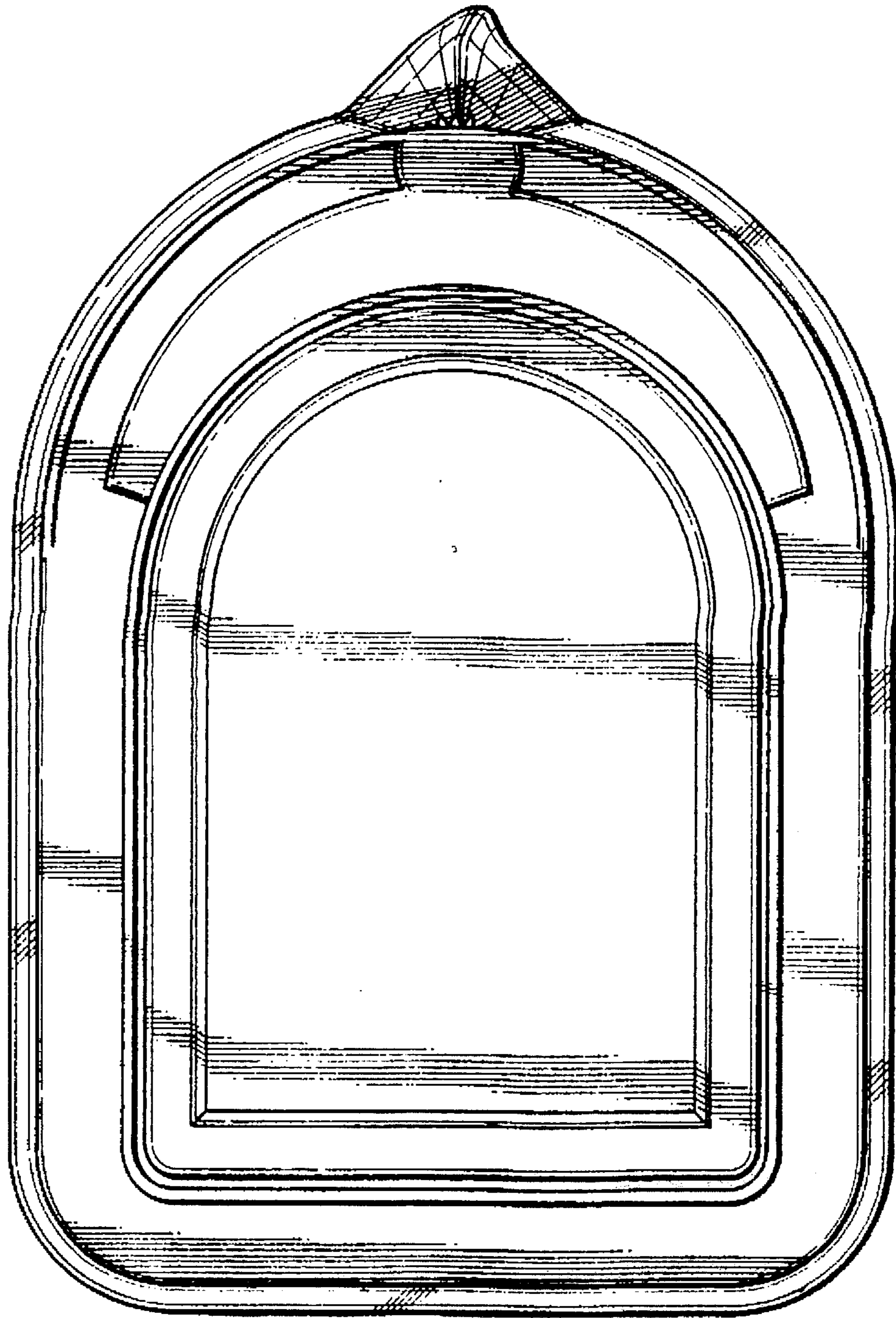


FIG. 6

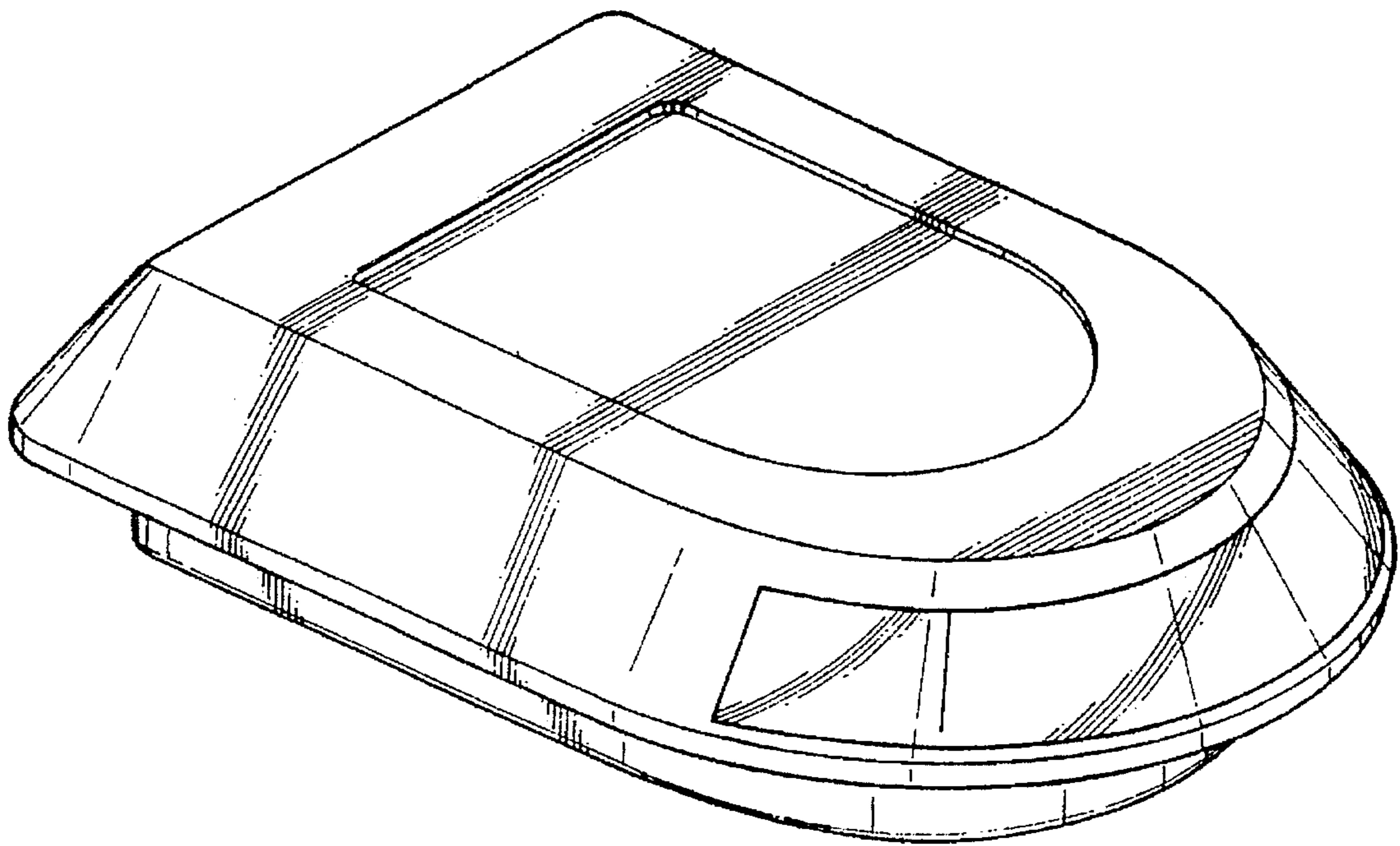


FIG. 7