



US00D382214S

**United States Patent** [19]  
**Liao**

[11] **Patent Number: Des. 382,214**

[45] **Date of Patent: \*\*Aug. 12, 1997**

[54] **WRIST WATCH**

[76] **Inventor: Jeff Liao, P.O. Box 82-144, Taipei, Taiwan**

[\*\*] **Term: 14 Years**

[21] **Appl. No.: 55,308**

[22] **Filed: Jun. 3, 1996**

[51] **LOC (6) Cl. .... 10-02**

[52] **U.S. Cl. .... D10/32; D10/30**

[58] **Field of Search ..... D10/1-40, 122-132; 368/280-282, 276-277, 285**

[56] **References Cited**

**U.S. PATENT DOCUMENTS**

D. 149,039	3/1948	Barré .....	D10/32
D. 150,127	7/1948	Guduldig .....	D10/32
D. 310,331	9/1990	Ratajski .....	D10/32

*Primary Examiner*—Nelson C. Holtje  
*Attorney, Agent, or Firm*—Alfred Lei

[57] **CLAIM**

The ornamental design for a wrist watch, as shown and described.

**DESCRIPTION**

FIG. 1 is a perspective view of a wrist watch showing my new design;

FIG. 2 is a front view thereof;

FIG. 3 is a rear view thereof;

FIG. 4 is a left side elevational view thereof;

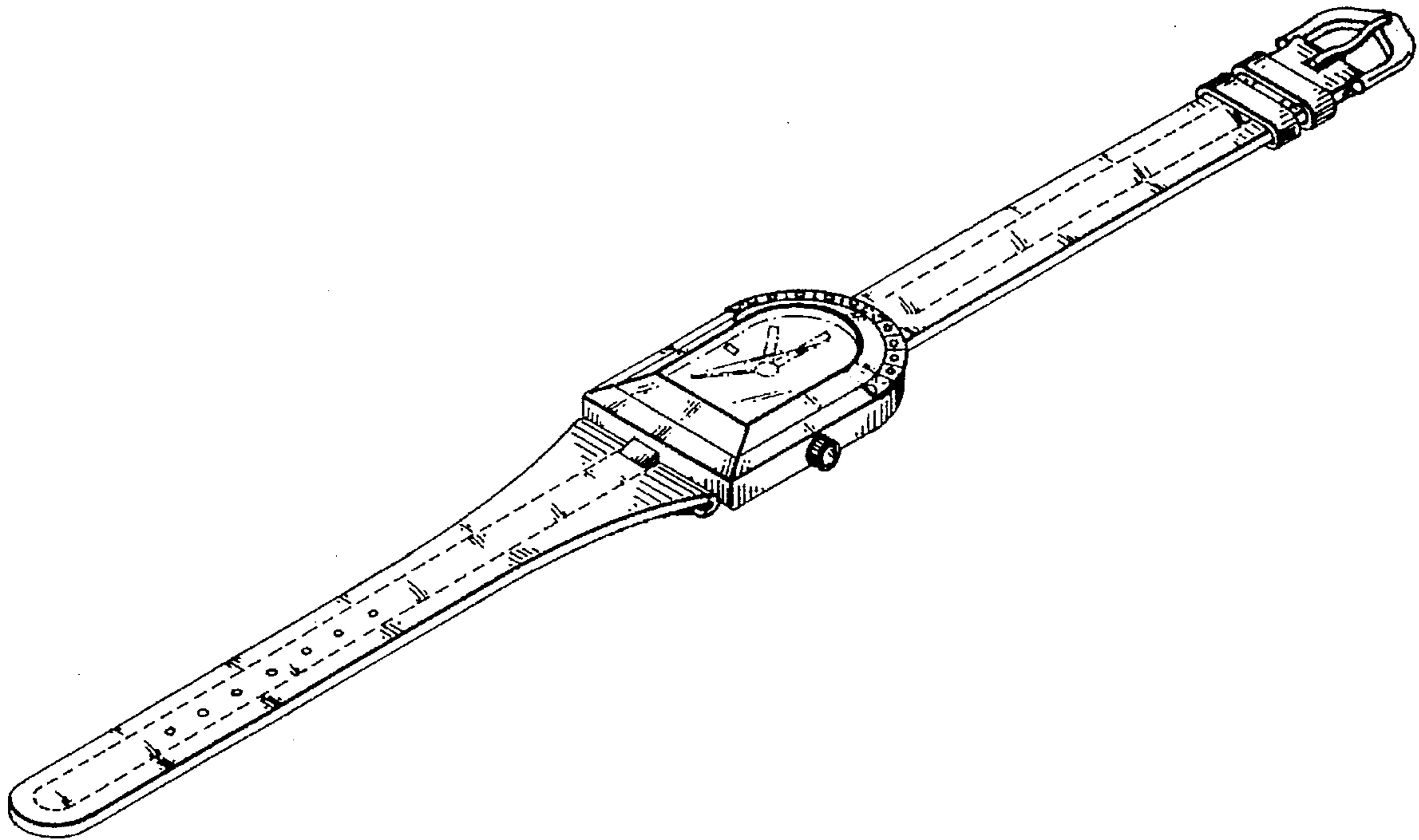
FIG. 5 is a right side elevational view thereof;

FIG. 6 is a top plan view thereof; and,

FIG. 7 is a bottom plan view thereof.

The broken line showing of a dial and hands in FIGS. 1 and 6 are for illustrative purposes only and form no part of the claimed design.

**1 Claim, 3 Drawing Sheets**



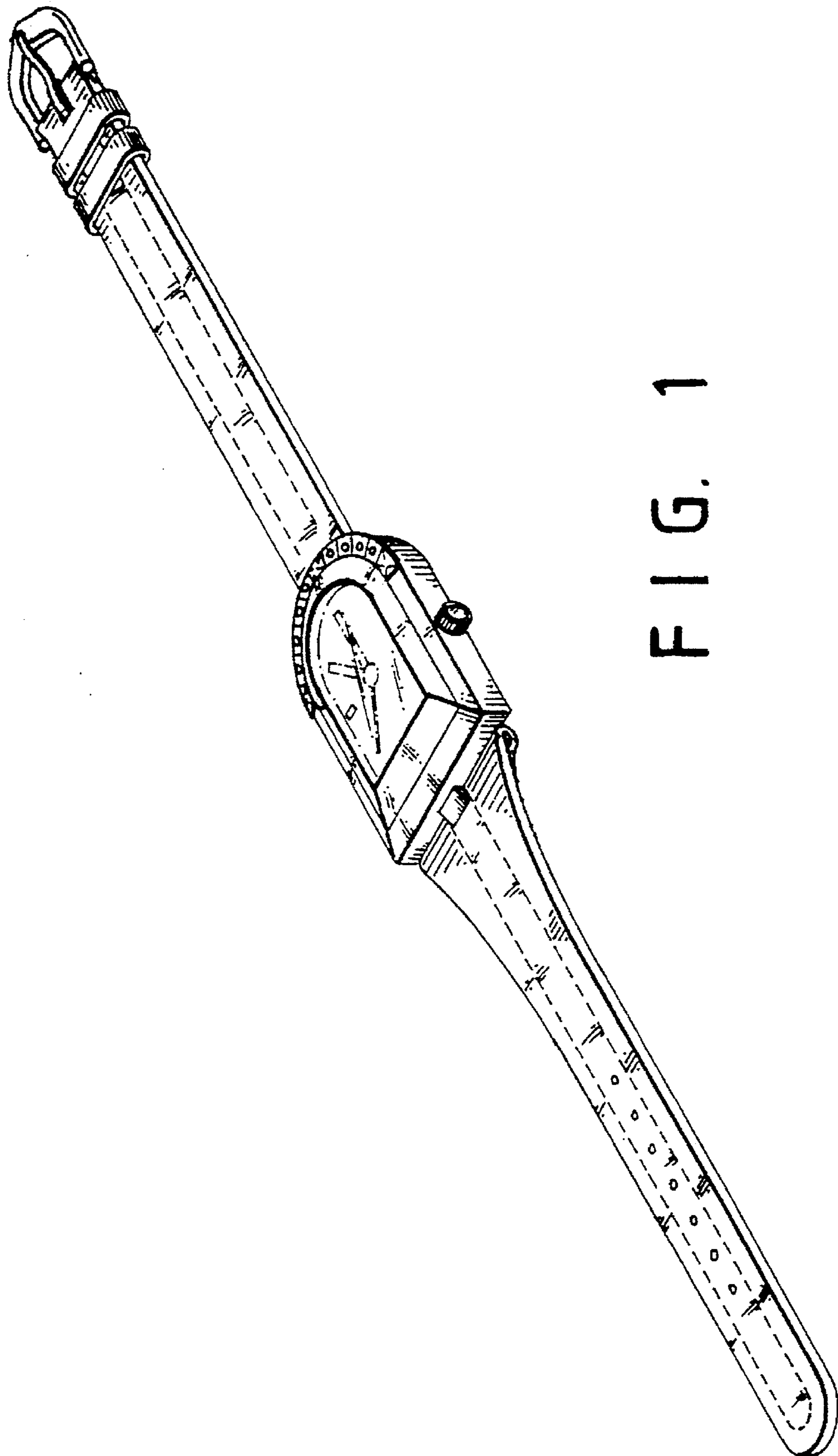


FIG. 1



FIG. 2



FIG. 3



FIG. 4



FIG. 5

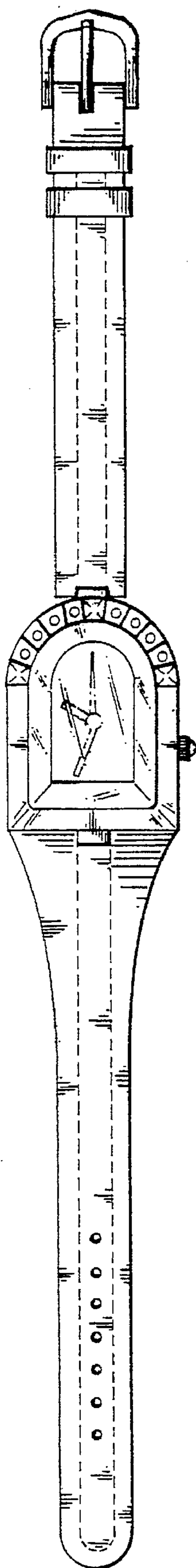


FIG. 6

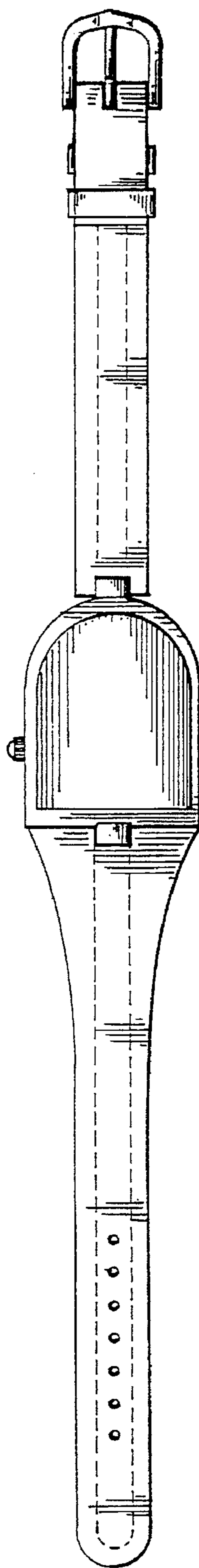


FIG. 7