



US00D382199S

**United States Patent** [19]  
**Webinger**

[11] **Patent Number: Des. 382,199**

[45] **Date of Patent: \*\*Aug. 12, 1997**

[54] **COMPACT DISC PACKAGE**

[75] **Inventor: George Paul Webinger, Golden Valley, Minn.**

[73] **Assignee: Flour City Packaging Corporation, Minneapolis, Minn.**

[\*\*] **Term: 14 Years**

[21] **Appl. No.: 47,521**

[22] **Filed: Dec. 6, 1995**

[51] **LOC (6) Cl. .... 09-03**

[52] **U.S. Cl. .... D9/346; D9/347**

[58] **Field of Search .... D3/218; D9/346, D9/347, 414, 415, 418, 432, 433; 206/232, 308.1, 308.3**

[56] **References Cited**

**U.S. PATENT DOCUMENTS**

D. 286,378	10/1986	Banfield .....	D9/346
D. 360,360	7/1995	Kiolbasa .....	D9/433
4,365,708	12/1982	Tyus .....	206/232 X
5,154,284	10/1992	Starkey .....	206/308.1 X
5,207,717	5/1993	Manning .....	206/232
5,372,253	12/1994	O'Brien et al. ....	206/308.1

*Primary Examiner*—Sandra L. Morris  
*Assistant Examiner*—Nanda Bondade  
*Attorney, Agent, or Firm*—Merchant, Gould, Smith, Edell, Welter & Schmidt, P.A.

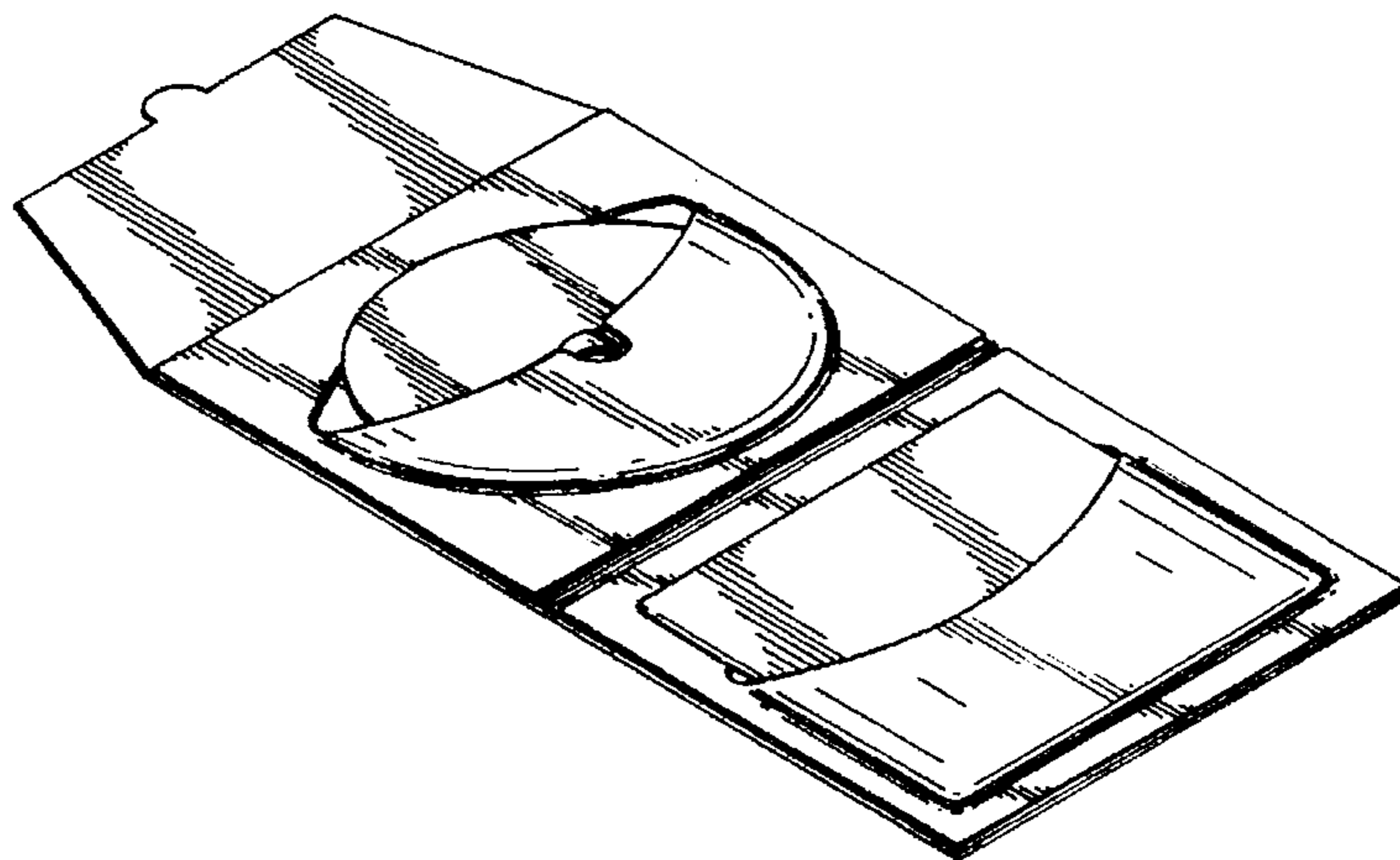
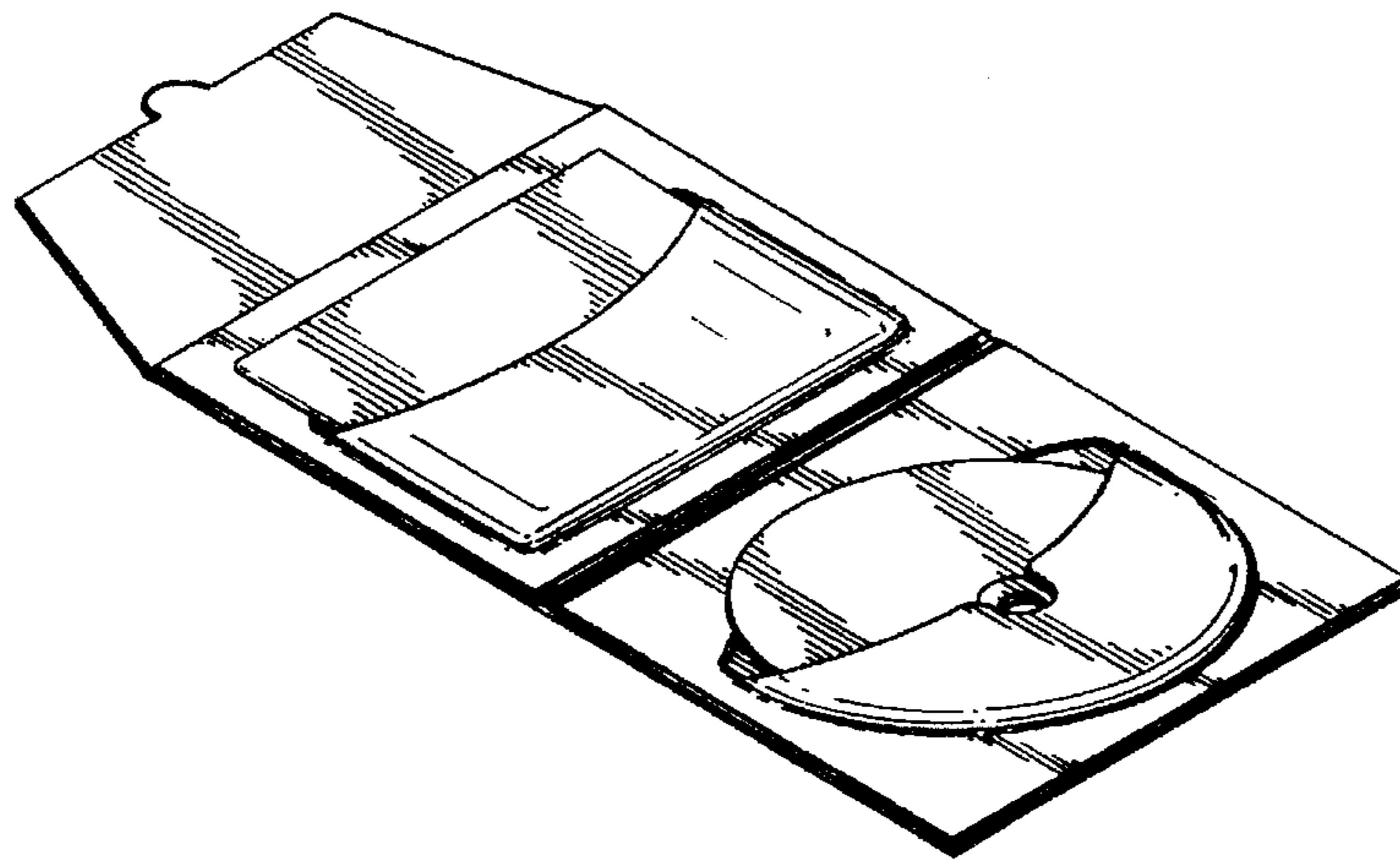
[57] **CLAIM**

The ornamental design for a compact disc package, as shown and described.

**DESCRIPTION**

FIG. 1 is an isometric view of a compact disc package showing my new design;  
FIG. 2 is a top plan view thereof, the bottom plan view being plain and unornamented;  
FIG. 3 is a left side elevational view thereof;  
FIG. 4 is a right side elevational view thereof;  
FIG. 5 is a front elevational view thereof;  
FIG. 6 is a rear elevational view thereof;  
FIG. 7 is a isometric view of a second embodiment of FIG. 1;  
FIG. 8 is a top plan view of FIG. 7, the bottom plan being plain and unornamented;  
FIG. 9 is a left side elevational view of FIG. 7;  
FIG. 10 is a right side elevational view of FIG. 7;  
FIG. 11 is a front elevational view of FIG. 7; and  
FIG. 12 is a rear elevational view of FIG. 7.  
FIGS. 1 and 7 are on a reduced scale.

**1 Claim, 3 Drawing Sheets**



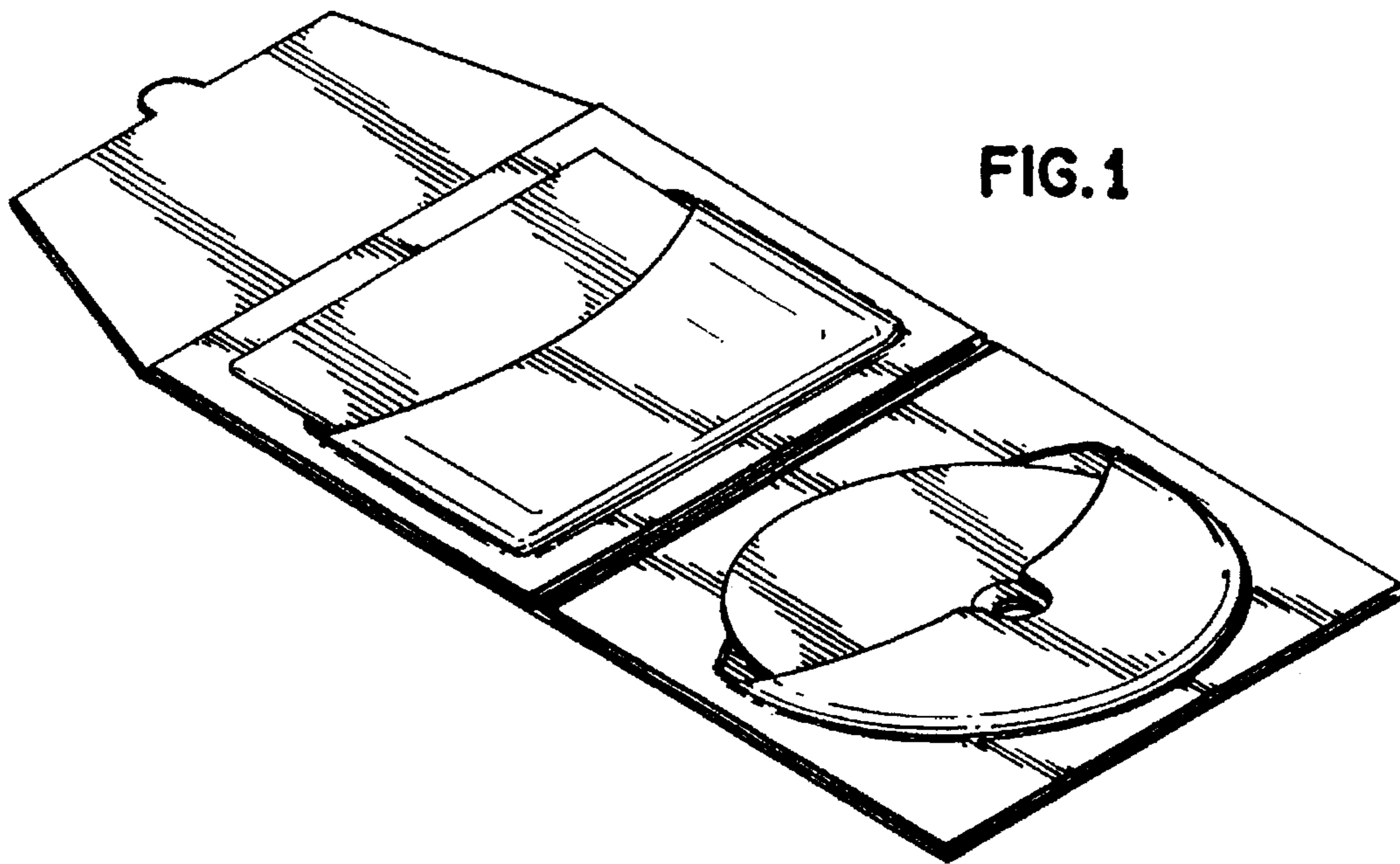


FIG. 1



FIG. 6

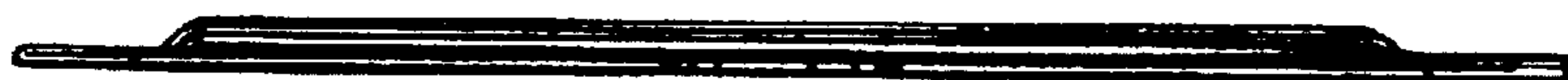


FIG. 12

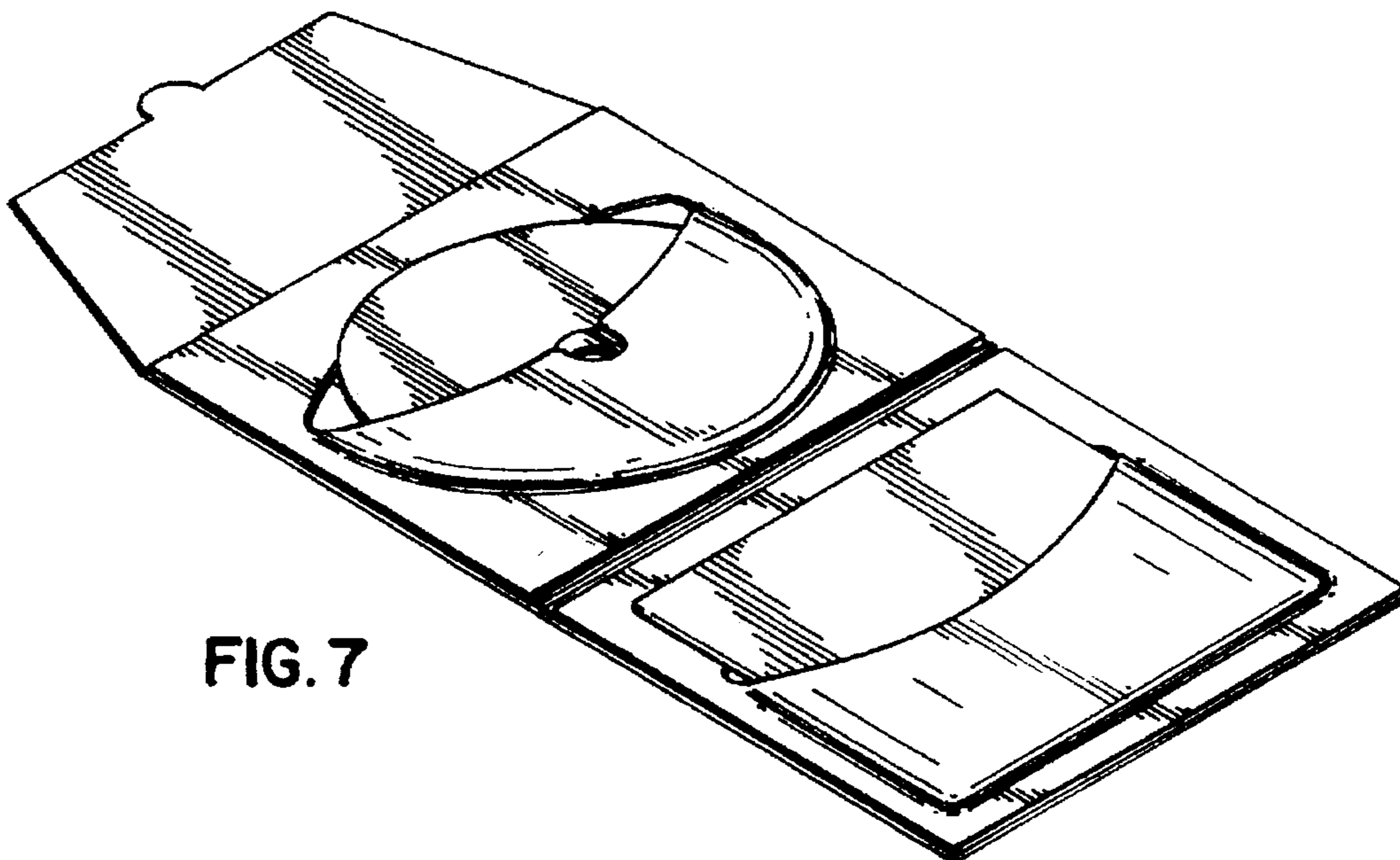
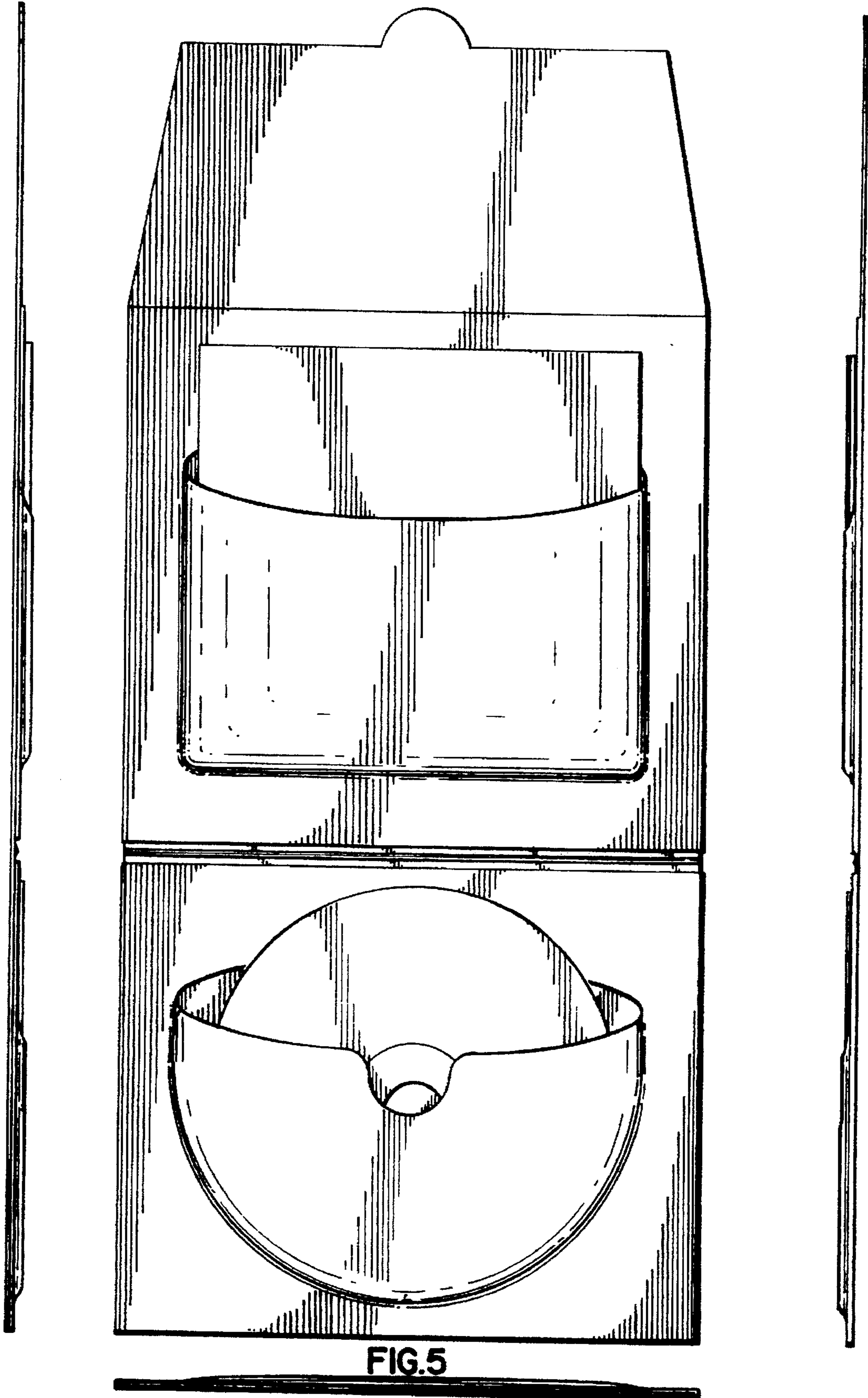


FIG. 7

FIG.3

FIG.2

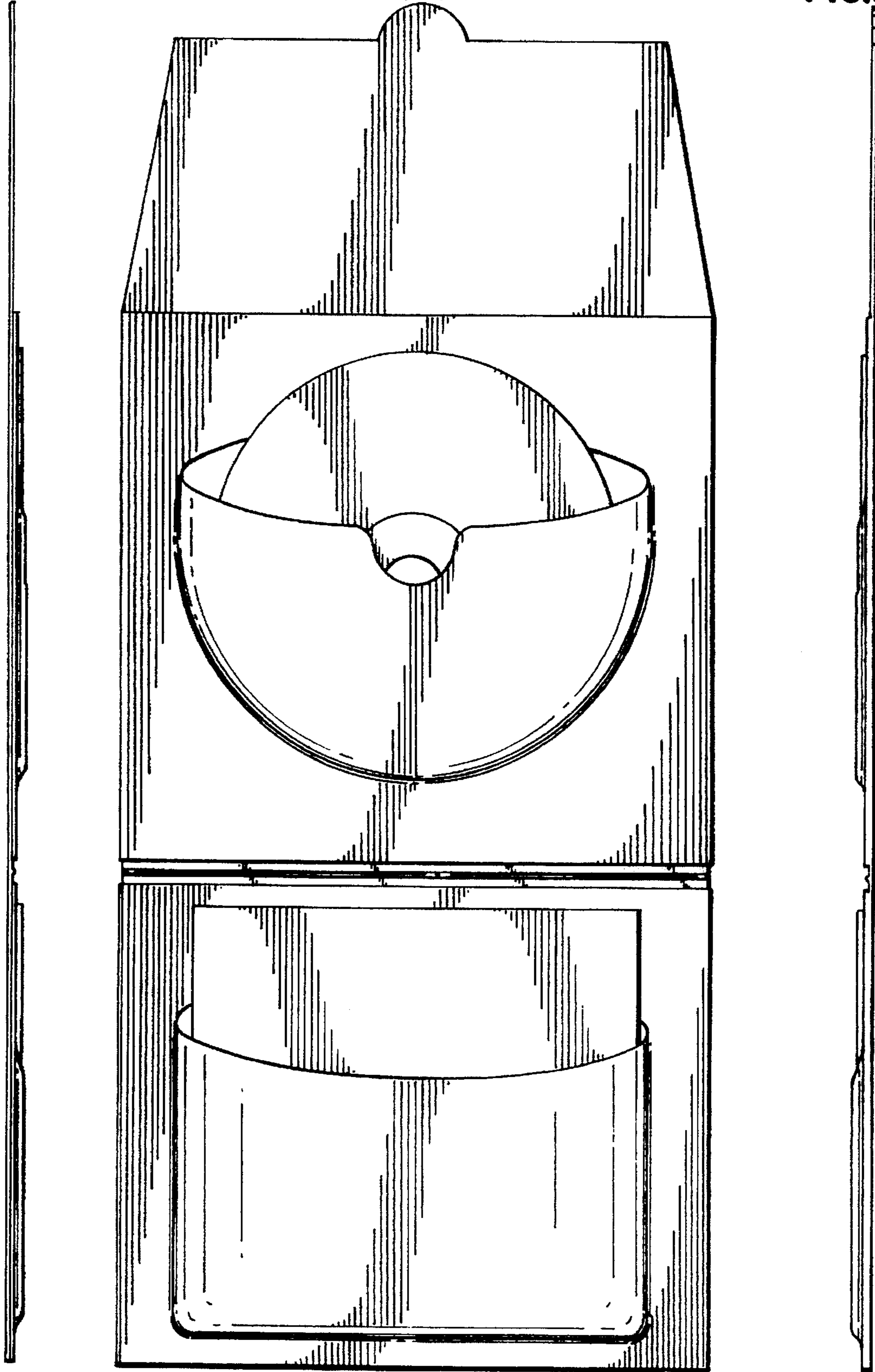
FIG.4



**FIG. 9**

**FIG. 8**

**FIG. 10**



**FIG. II**