



US00D382198S

United States Patent [19]
Mulhauser et al.

[11] **Patent Number: Des. 382,198**
[45] **Date of Patent: **Aug. 12, 1997**

[54] **MOTORIZED HAND-HELD DISPENSER**

[75] Inventors: **Paul Mulhauser; Karl D. Kirk, III,**
both of New York; **Diego Fontayne,**
Montebello, all of N.Y.

[73] Assignee: **Cap Toys, Inc.,** Bedford Heights, Ohio

[**] Term: **14 Years**

[21] Appl. No.: **46,740**

[22] Filed: **Oct. 31, 1995**

[51] **LOC (6) Cl. 09-03**

[52] **U.S. Cl. D9/339**

[58] **Field of Search** D9/339, 337, 414-418,
D9/422, 426, 428, 341; 206/533, 538, 528,
828; D7/589; 220/253, 331, 334; 221/90,
91, 81, 82

[56] **References Cited**

U.S. PATENT DOCUMENTS

D. 195,734	7/1963	Beumann	D9/339
D. 198,542	6/1964	Tapper	D9/339
D. 210,316	2/1968	Wolski	D9/339
D. 328,703	8/1992	Klumpyan	D9/339

3,085,679	4/1963	Burrell	206/533 X
3,288,277	11/1966	Hallerbach	D9/339 X
3,572,282	3/1971	Tump et al.	206/533 X
3,638,830	2/1972	Belokin, Jr.		
4,078,661	3/1978	Thomas	206/533
4,245,742	1/1981	Rossmo	206/533 X
4,399,914	8/1983	Damratowski et al.	206/533
5,044,516	9/1991	Hoar		
5,246,136	9/1993	Loidl		
5,322,166	6/1994	Crowther	206/538

Primary Examiner—Ted Shooman
Assistant Examiner—Cheri Cohen
Attorney, Agent, or Firm—Laff, Whitesel, Conte & Saret,
Ltd.

[57] **CLAIM**

The ornamental design for a motorized hand-held dispenser,
as shown and described.

DESCRIPTION

FIG. 1 is a perspective view of a motorized hand-held
dispenser showing our new design;
FIG. 2 is a top view thereof;
FIG. 3 is a front elevation view thereof; and,
FIG. 4 is a bottom plan view thereof.

1 Claim, 2 Drawing Sheets

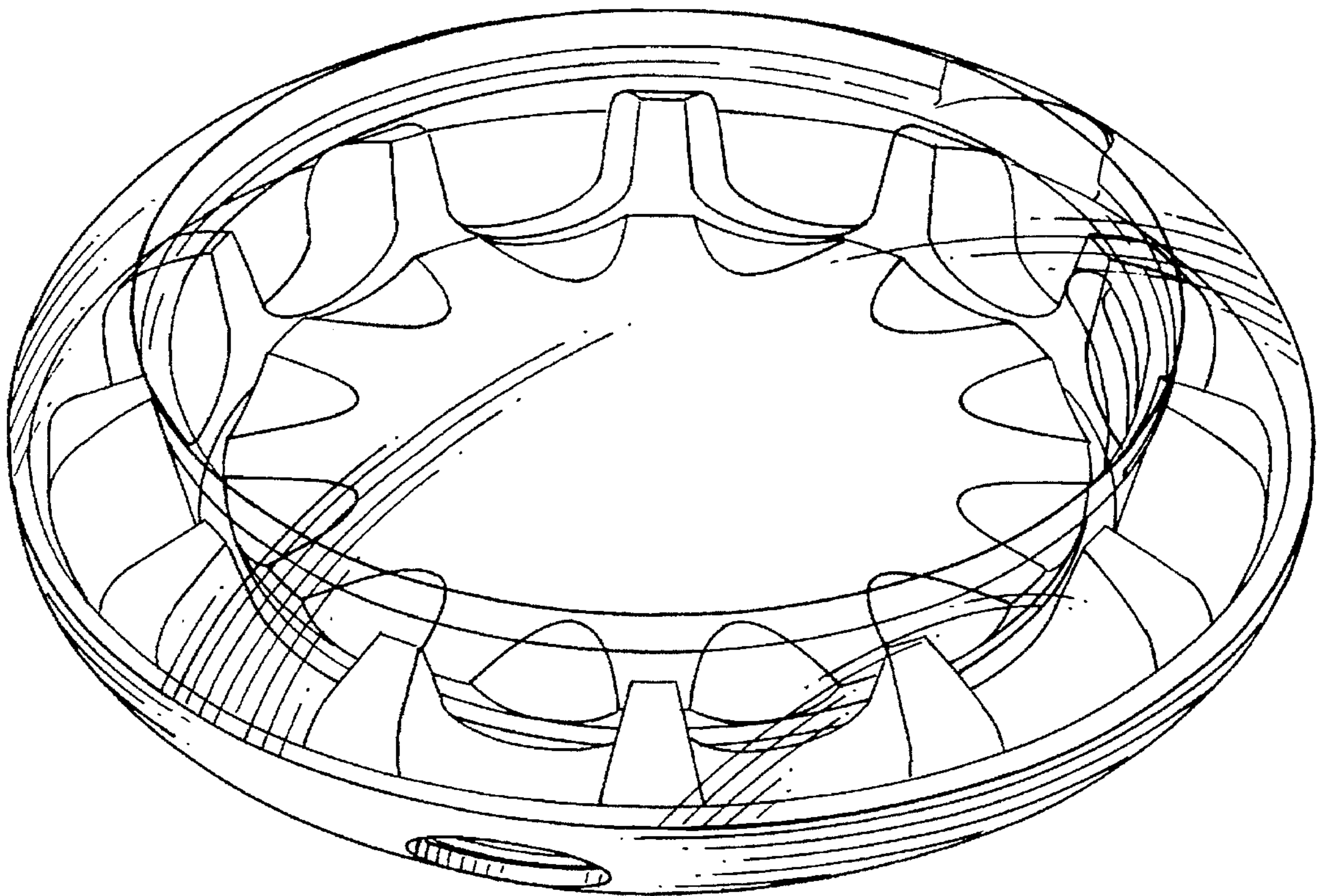


FIG. 1

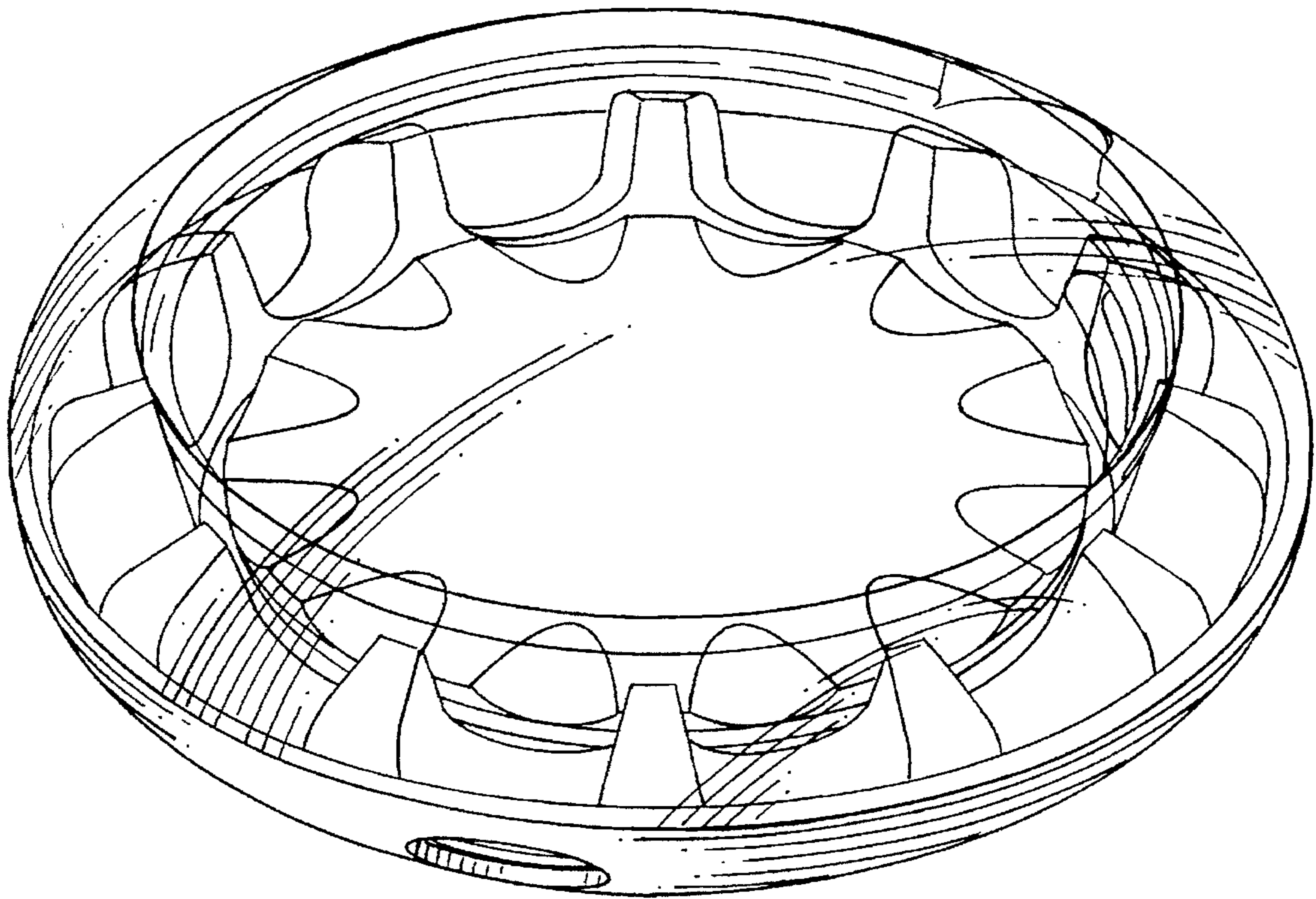


FIG. 2

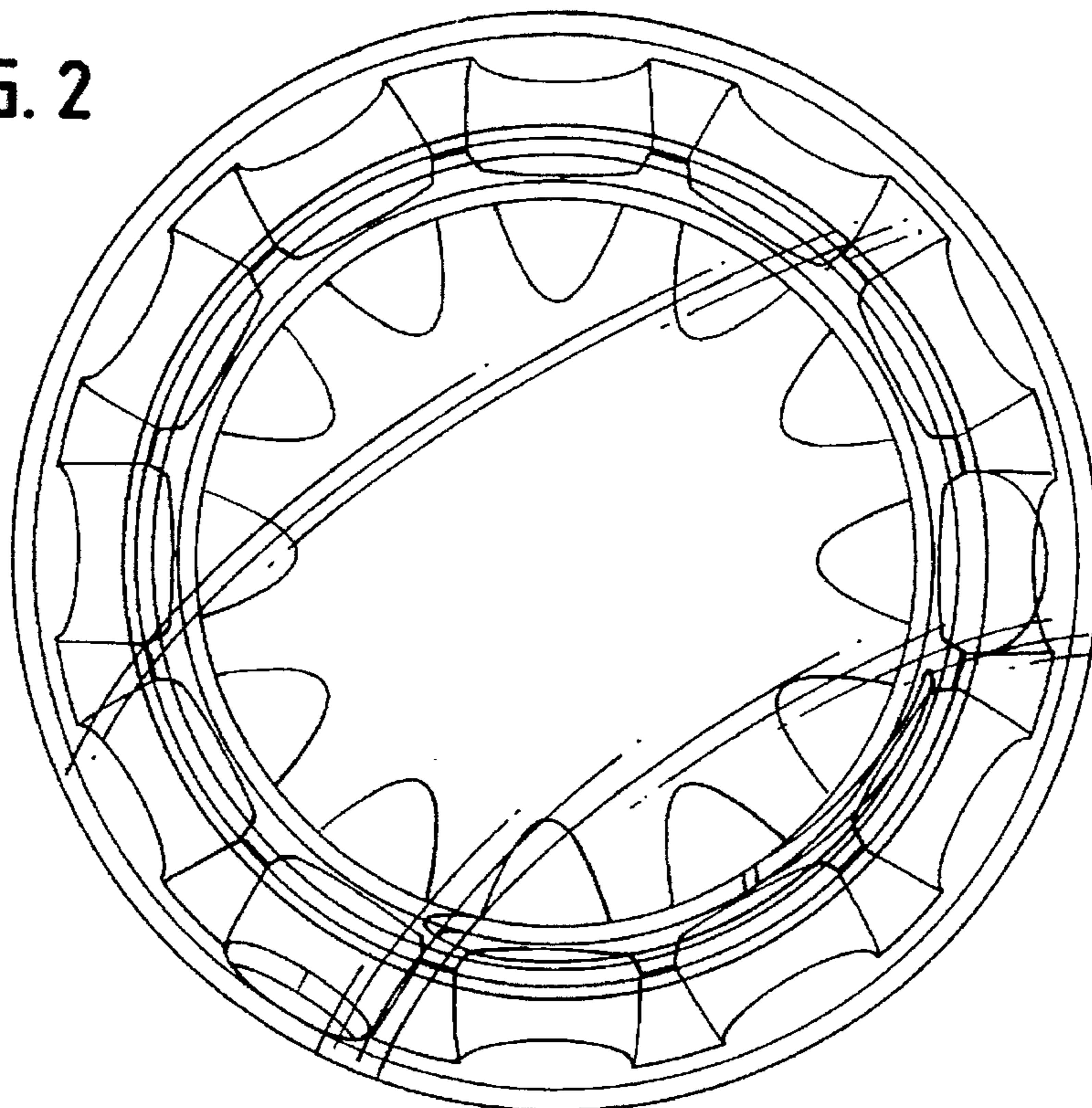


FIG. 3

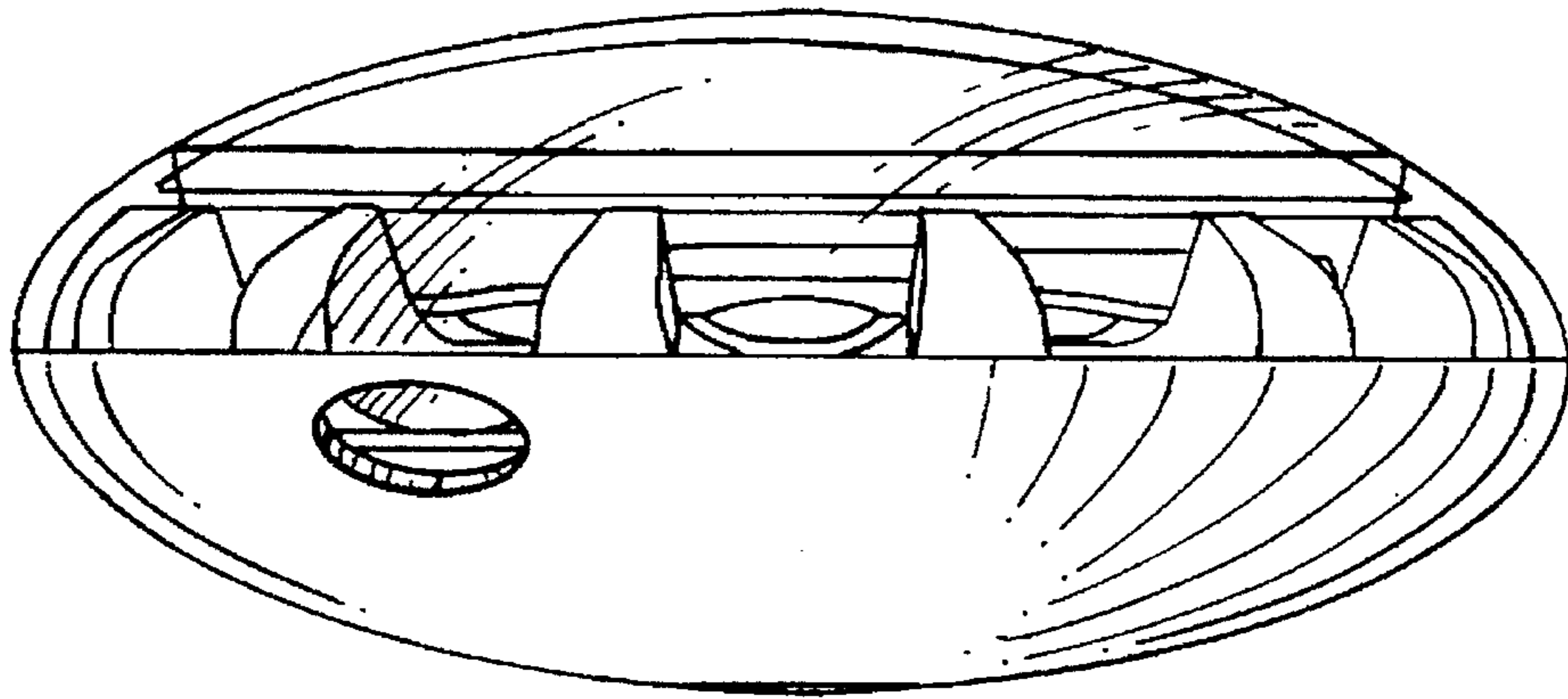


FIG. 4

