



US00D382196S

United States Patent [19] Ma

[11] Patent Number: **Des. 382,196**
[45] Date of Patent: ****Aug. 12, 1997**

[54] **FINGERNAIL PRODUCT PACKAGING**

3,354,576 11/1967 Gralnick 206/457 X

[75] Inventor: **Dat Vinh Ma**, Rancho Cordova, Calif.

OTHER PUBLICATIONS

[73] Assignee: **Inter-Continental Products**, Rancho Cordova, Calif.

Spencer Gifts. Christmas 1961, p. 13, rocket-shaped liquor decanter.

[**] Term: **14 Years**

Primary Examiner—Prabhakar G. Deshmukh

Assistant Examiner—Cheri Cohen

Attorney, Agent, or Firm—Mark C. Jacobs

[21] Appl. No.: **52,577**

[22] Filed: **Apr. 8, 1996**

[57] CLAIM

[51] **LOC (6) Cl.** **09-03**

[52] **U.S. Cl.** **D9/308; D9/504; D21/87**

[58] **Field of Search** D9/504, 308, 307, D9/500, 503, 529, 548; D28/87, 88; D21/87; 206/457

The ornamental design for fingernail product packaging, as shown and described.

DESCRIPTION

[56] References Cited

U.S. PATENT DOCUMENTS

D. 92,786	7/1934	Vivaudou	D9/529
D. 128,848	8/1941	Petzold	D28/88
D. 138,604	8/1944	Stevens	D9/504
D. 144,007	2/1946	Troya	D9/337
D. 155,135	9/1949	Ellsworth	D24/197
D. 183,564	9/1958	Erstad	D21/87 X
D. 188,566	8/1960	Morian	D9/308
D. 223,562	5/1972	Madeira	D9/308
D. 268,987	5/1983	Smith	D9/307
D. 357,584	4/1995	Swingler	D28/88 X

FIG. 1 is a perspective view of the assembled packaging of this design;

FIG. 2 is a top plan view thereof;

FIG. 3 is a bottom plan view thereof;

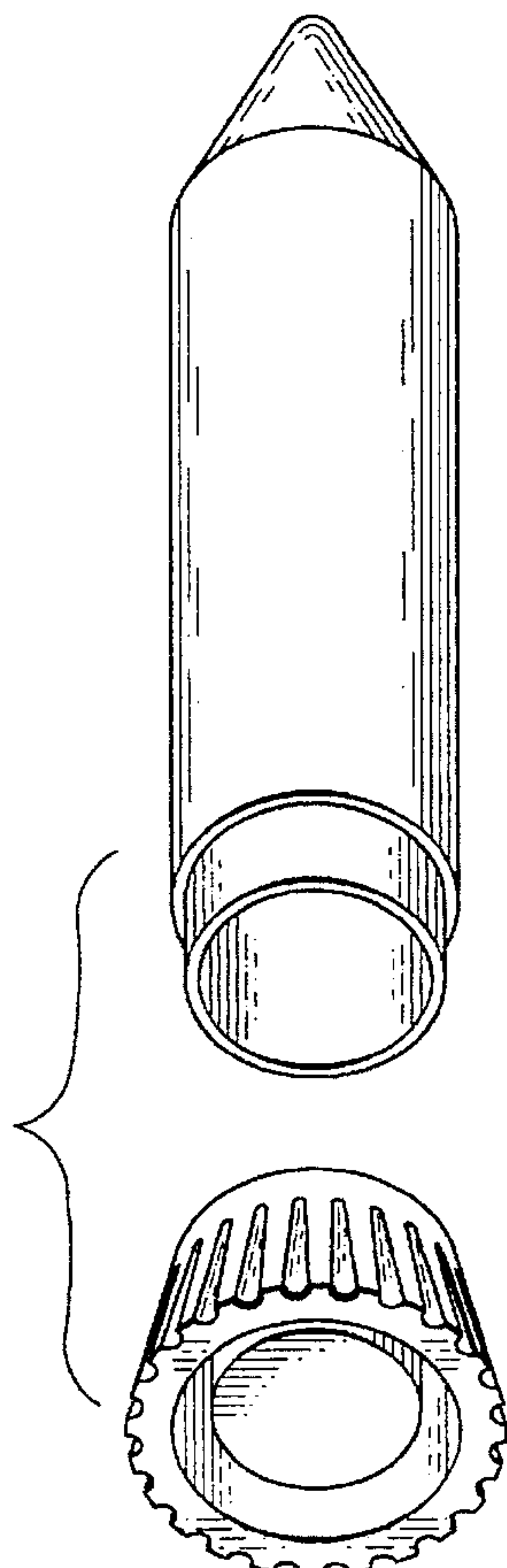
FIG. 4 is a front elevation of the packaging of this design. Side and rear elevations are mirror images thereof;

FIG. 5 is a top plan view of the cap portion of this design;

FIG. 6 is a perspective view of the cap portion of this design; and,

FIG. 7 is a bottom exploded perspective view of the housing portion and of the cap portion of the packaging of this design.

1 Claim, 1 Drawing Sheet



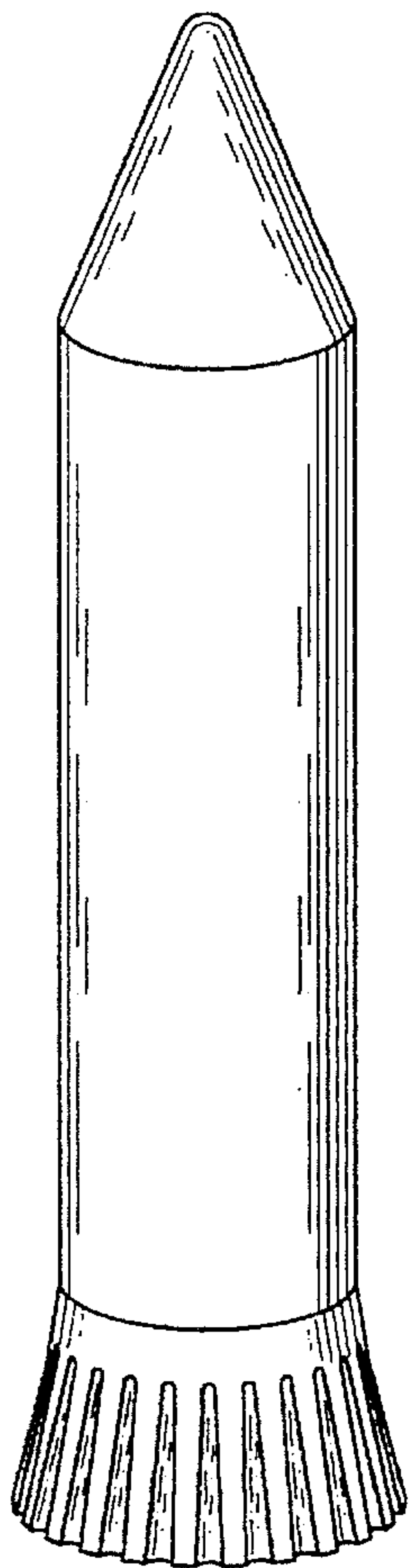


Fig. 1

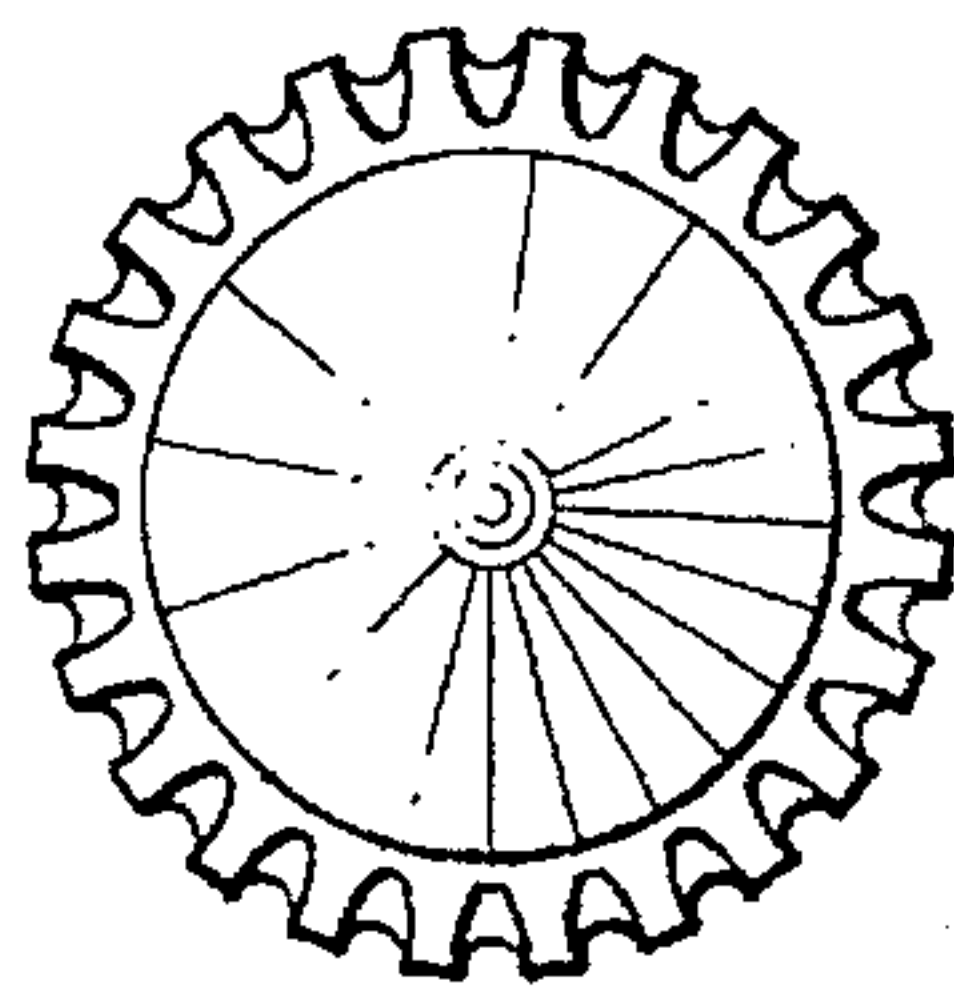


Fig. 2

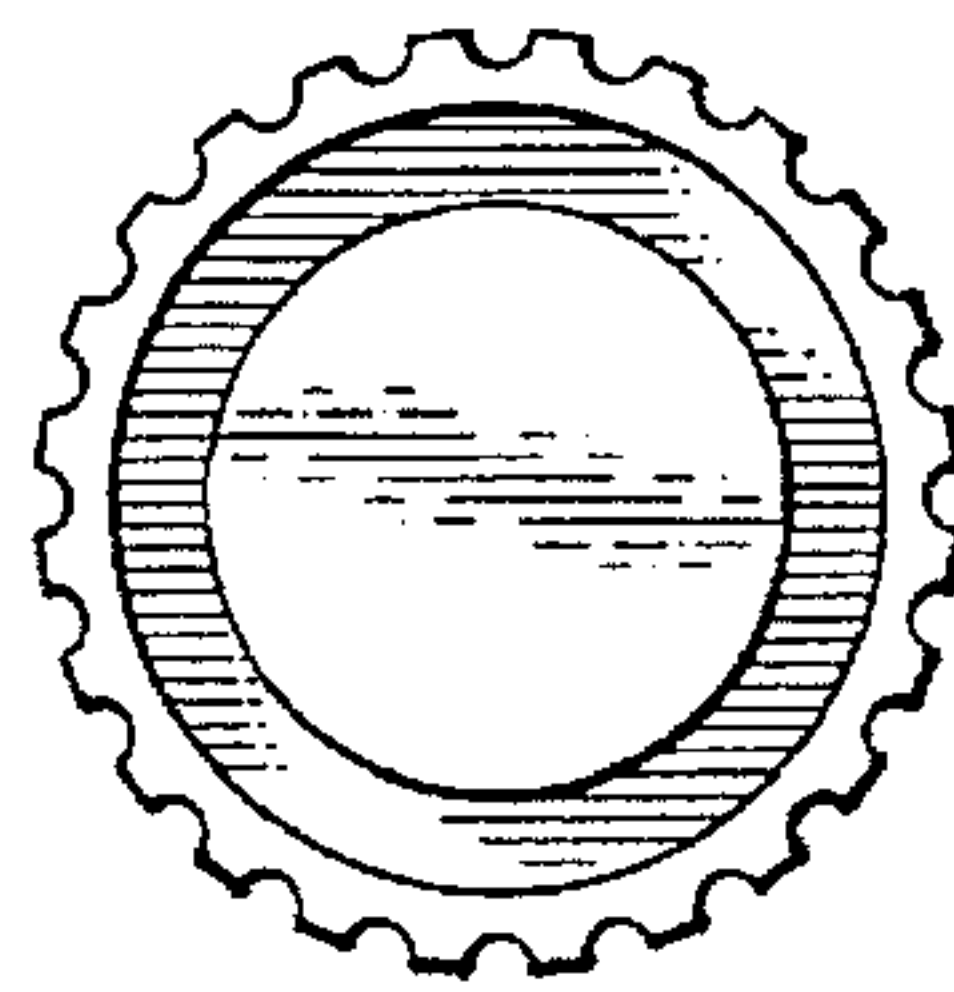


Fig. 3

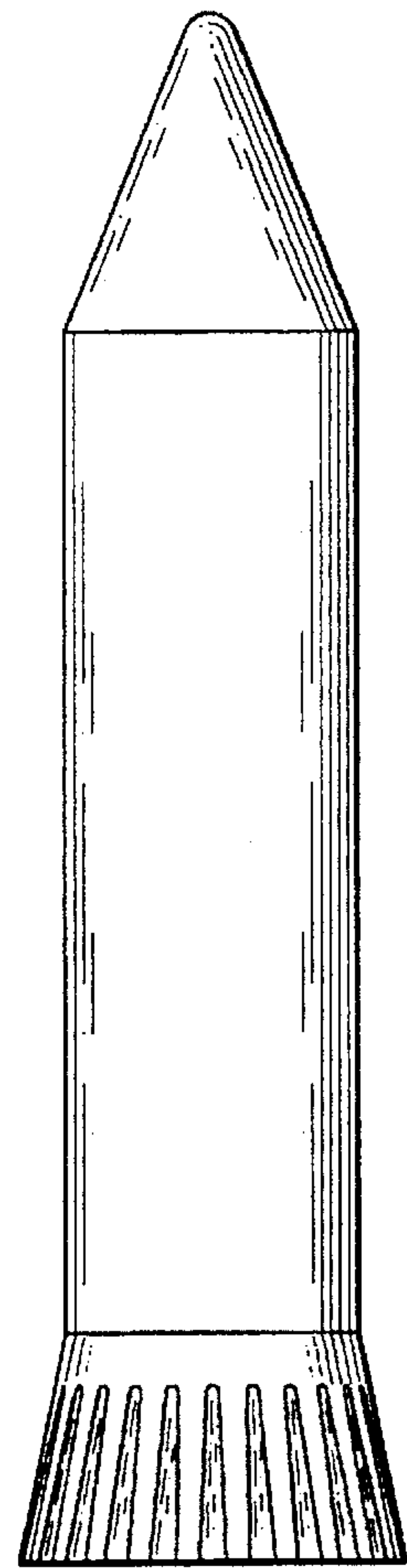


Fig. 4

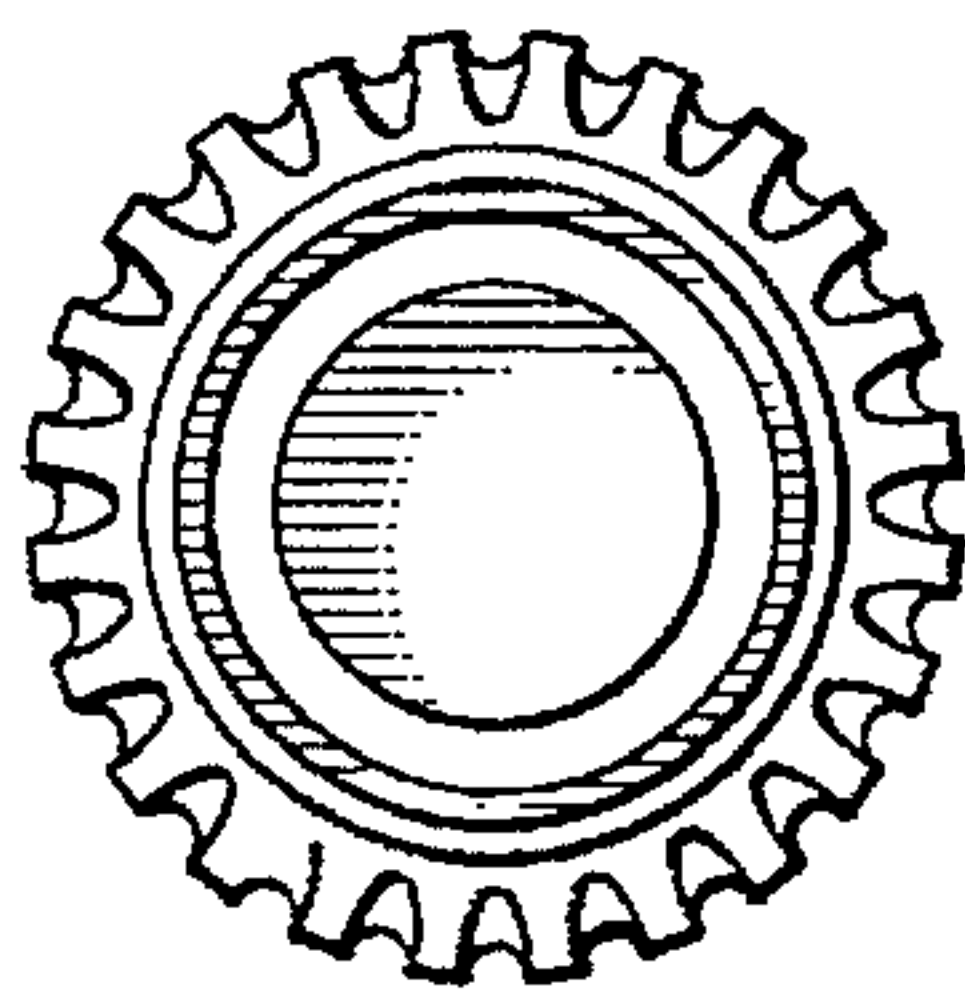


Fig. 5

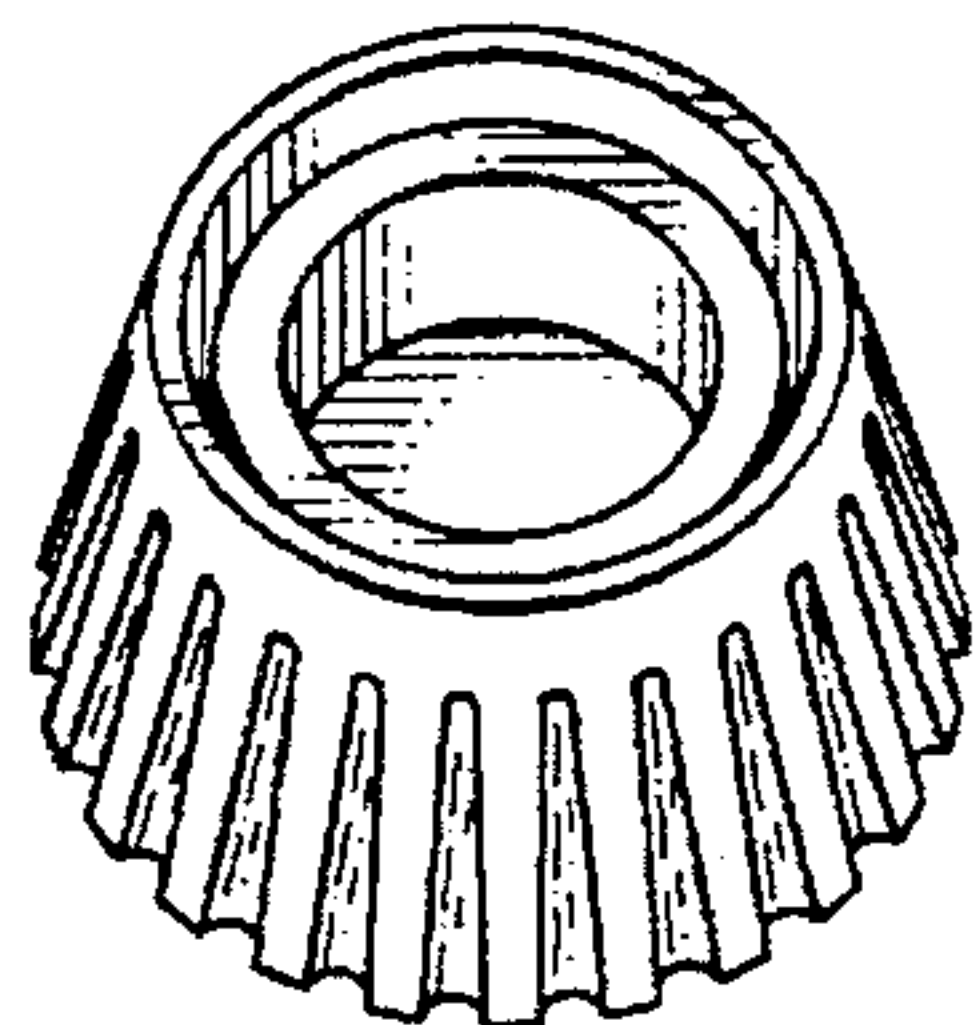


Fig. 6

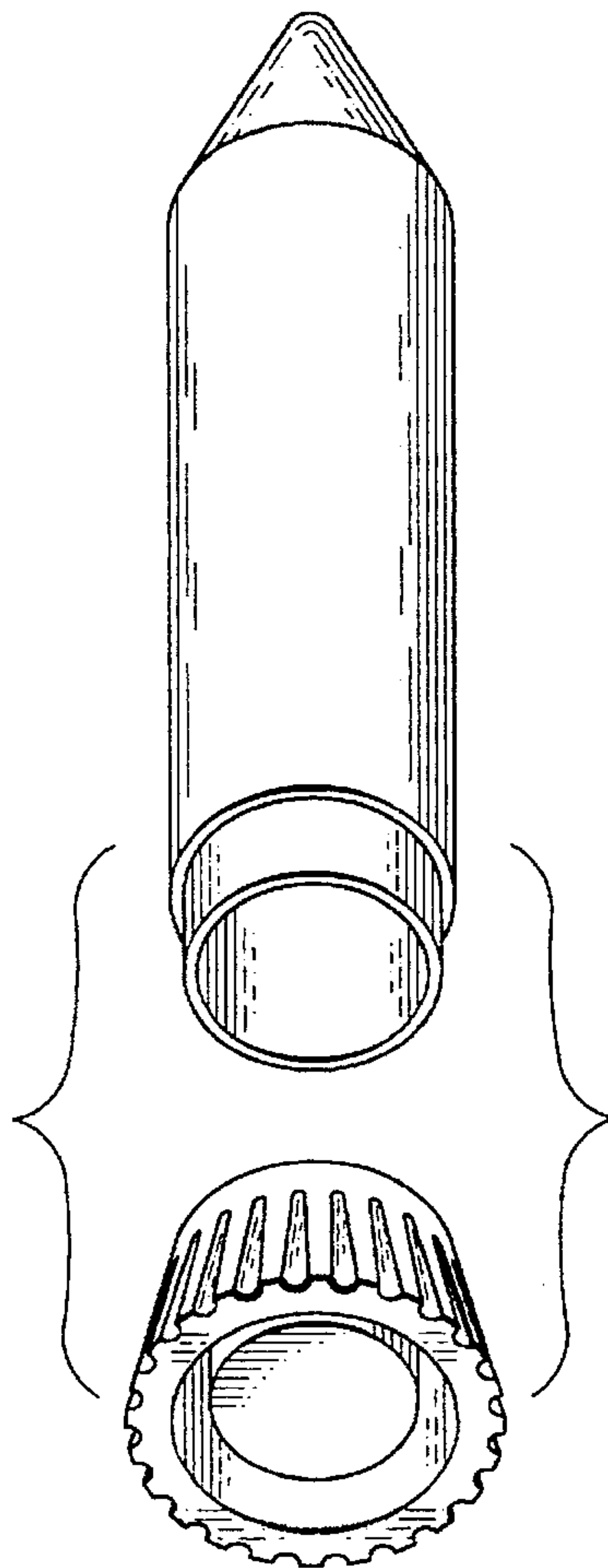


Fig. 7