



US00D382195S

United States Patent [19] Ekern

[11] Patent Number: Des. 382,195

[45] Date of Patent: **Aug. 12, 1997

[54] PIPE HANGER

[76] Inventor: **Mark E. Ekern**, 207 N. Prairie,
Flandreau, S. Dak. 57028

[**] Term: **14 Years**

[21] Appl. No.: **23,321**

[22] Filed: **May 23, 1994**

[51] LOC (6) Cl. **08-05**

[52] U.S. Cl. **D8/373**

[58] Field of Search D8/373, 396; 248/58-59,
248/74.1-74.4, 62, 72-73, 65, 49, 317

[56] **References Cited**

U.S. PATENT DOCUMENTS

3,049,326	8/1962	Otterson	248/59
3,273,837	9/1966	Willert et al.	248/62 X
3,933,377	1/1976	Arrowood	248/62 X
4,730,800	3/1988	Engman	248/74.1 X
5,040,751	8/1991	Holub	248/62
5,221,064	6/1993	Hodges	248/59

FOREIGN PATENT DOCUMENTS

2441297 3/1976 Germany 248/62

Primary Examiner—A. Hugo Word

Assistant Examiner—Holly H. Baynham

[57] **CLAIM**

The ornamental design for the pipe hanger, as shown and described.

DESCRIPTION

FIG. 1 is an end elevational view of a pipe hanger with the undisclosed opposite end being unornamented;

FIG. 2 is a side elevational view thereof;

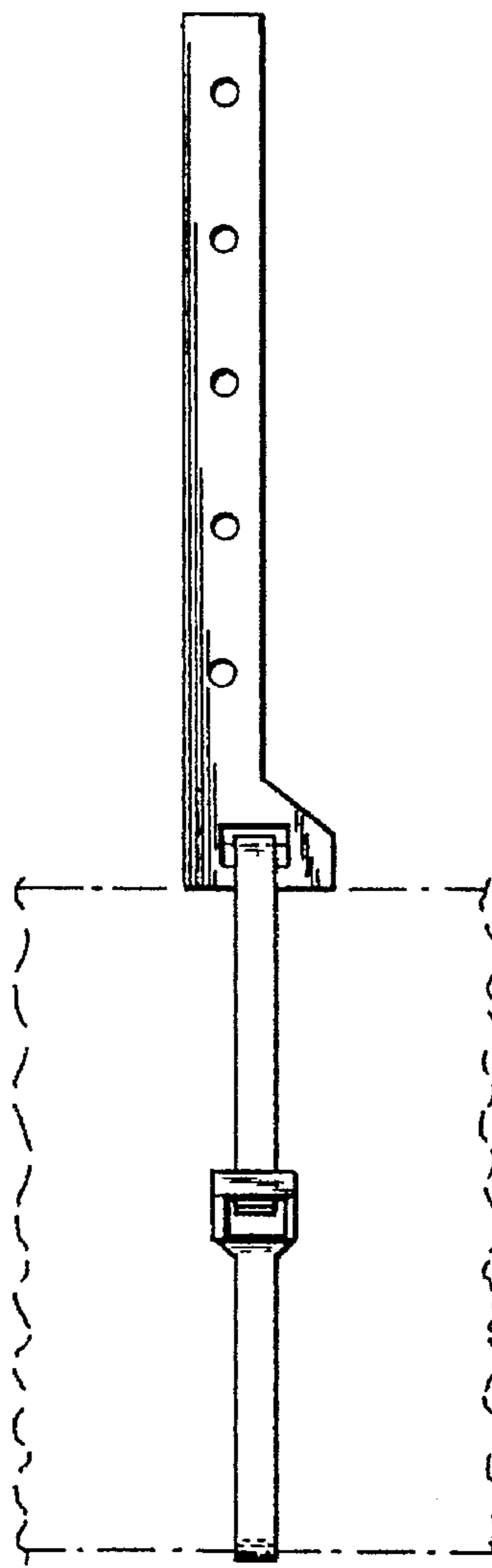
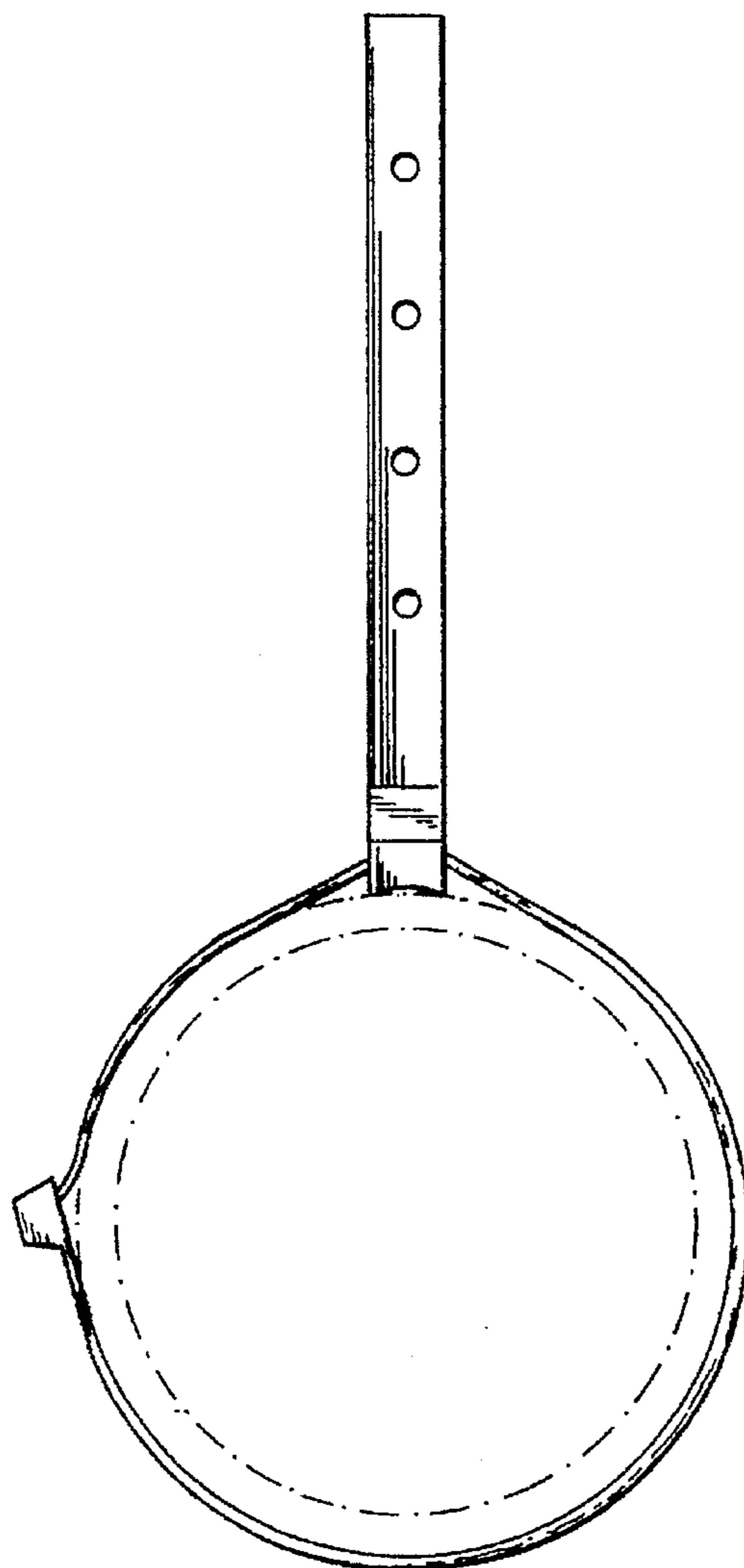
FIG. 3 is a side elevational view similar to FIG. 2 from the opposite side;

FIG. 4 is a top plan view thereof; and,

FIG. 5 is an enlarged, fragmented sectional view taken along lines 5—5 of FIG. 3.

The broken line showing of pipe is for illustrative purposes only and forms no part of the claimed design.

1 Claim, 1 Drawing Sheet



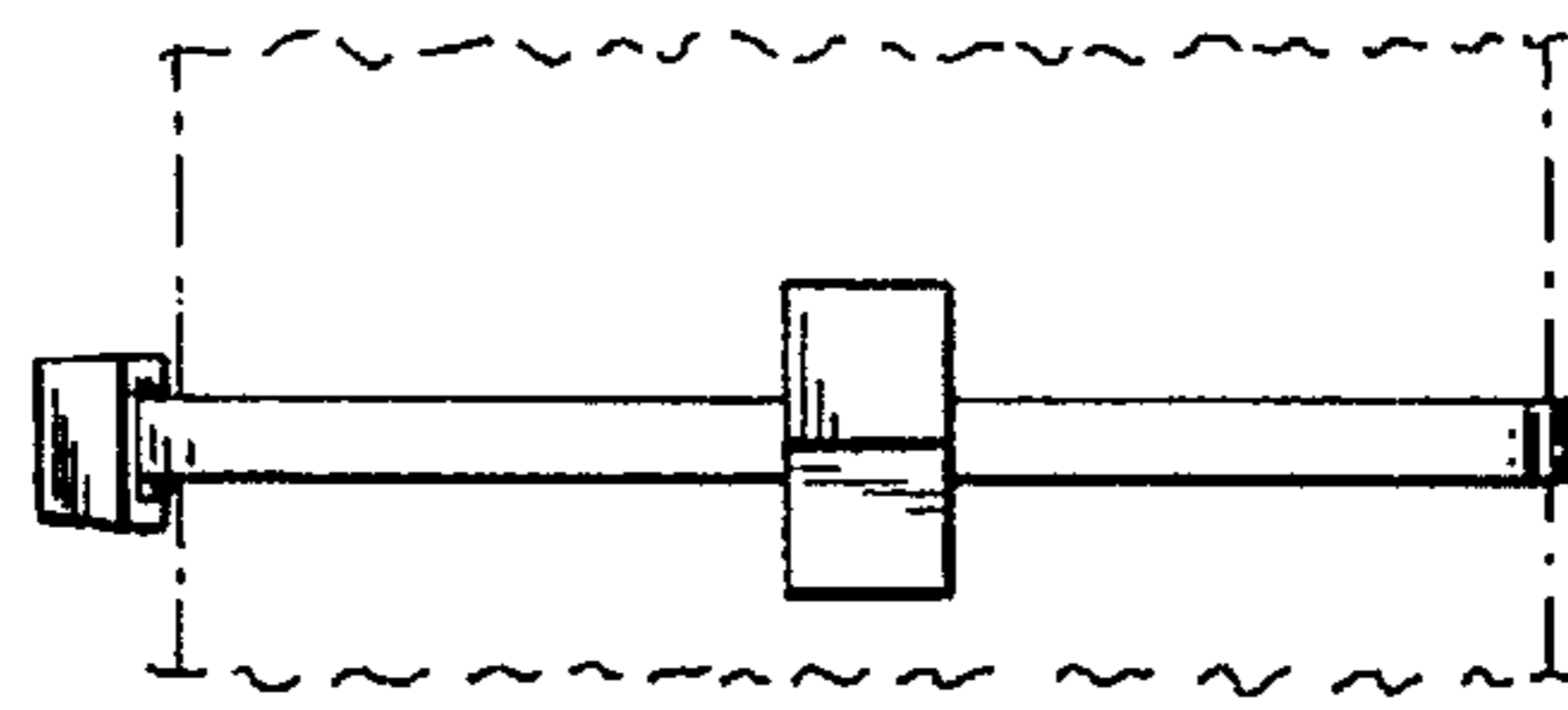


FIG. 4

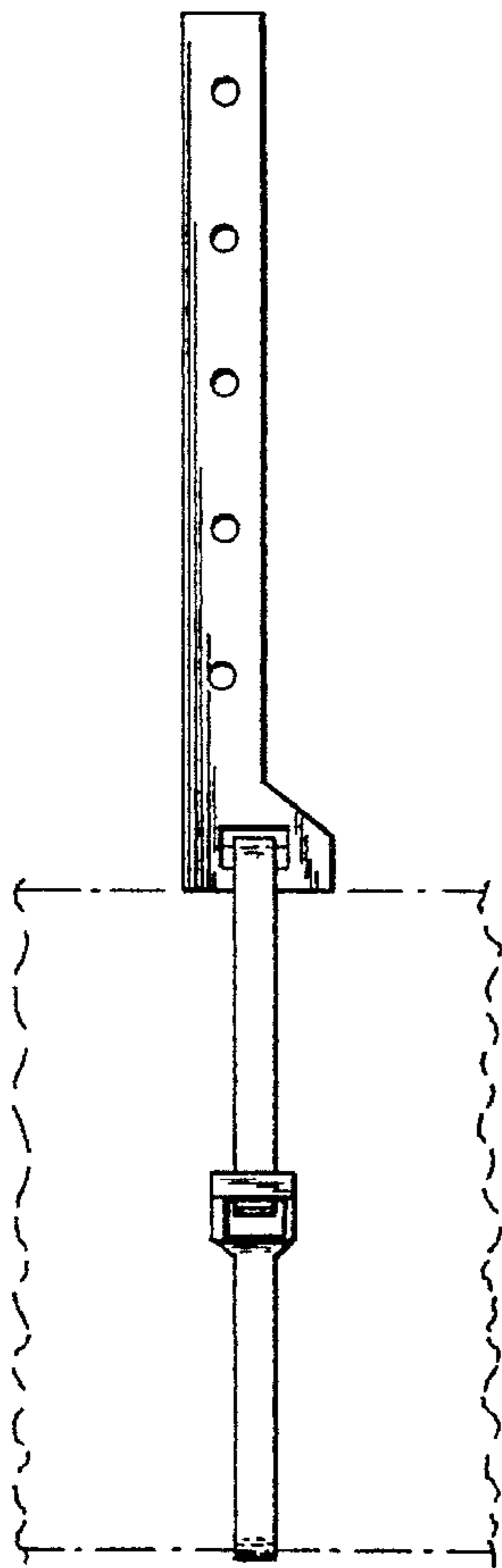


FIG. 2

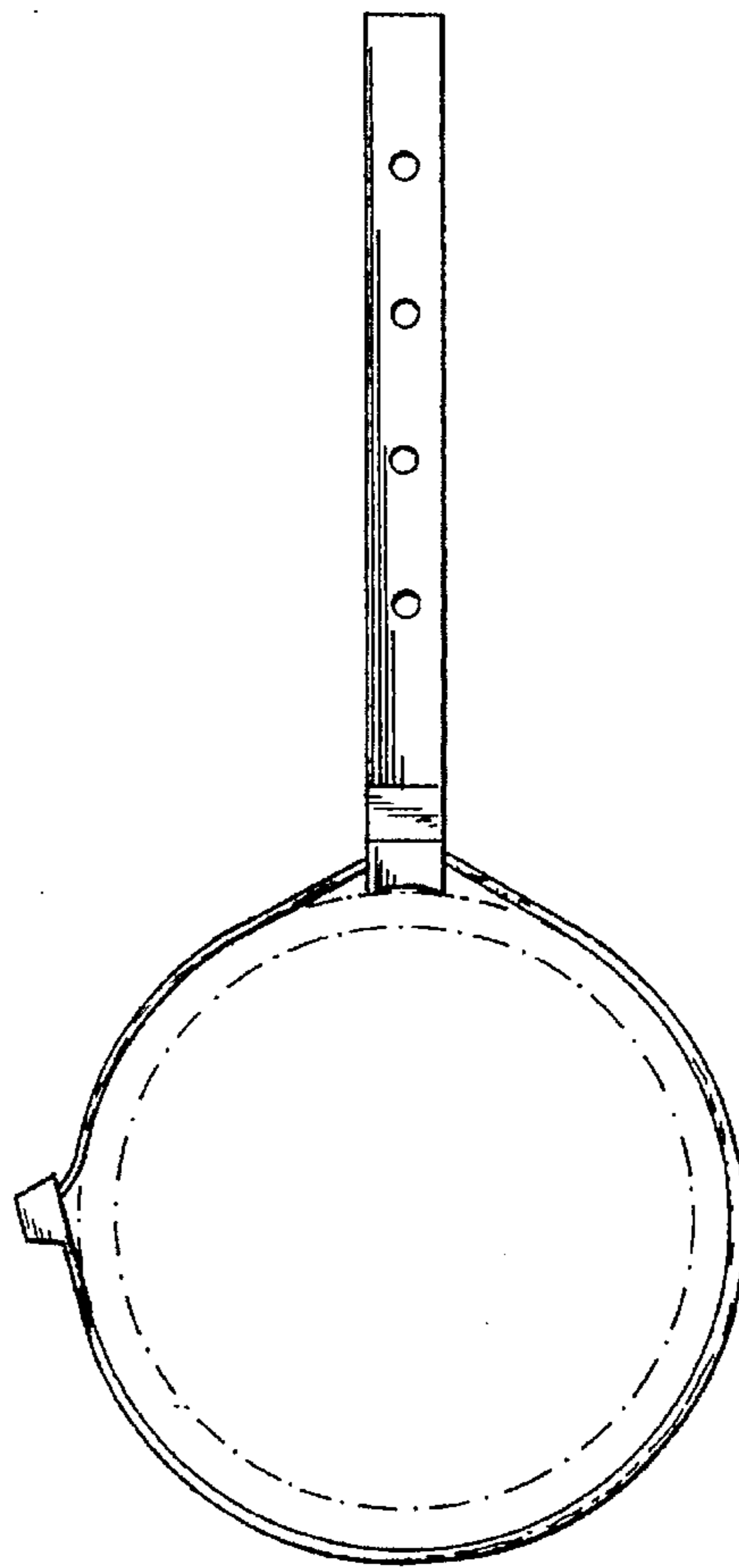


FIG. 1

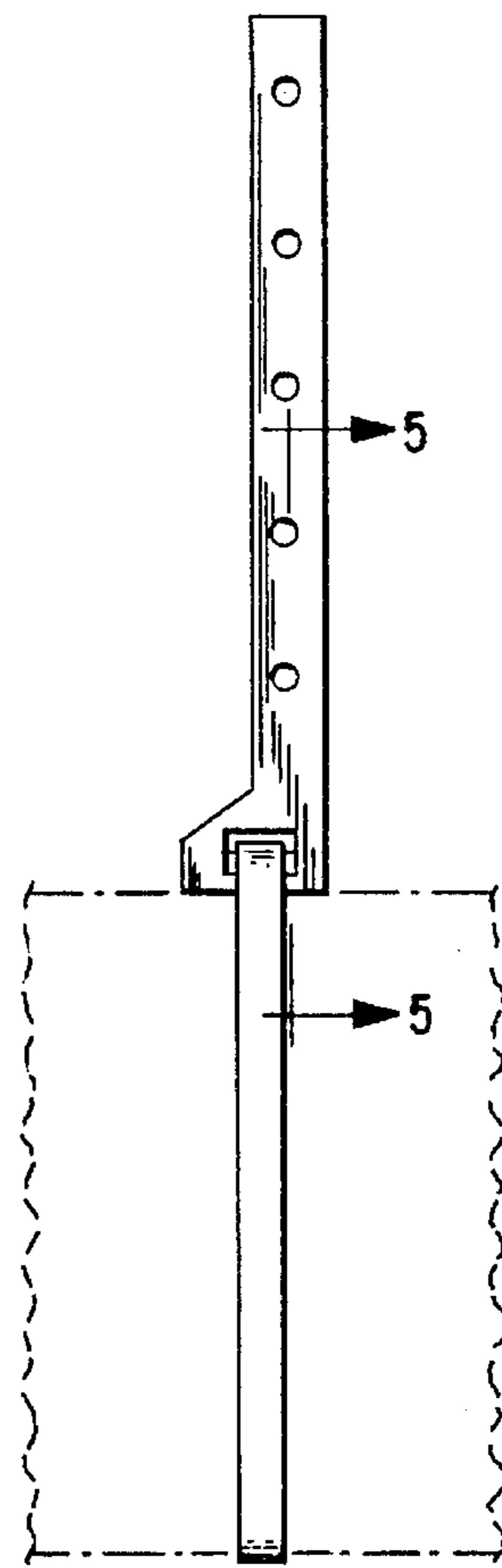


FIG. 3

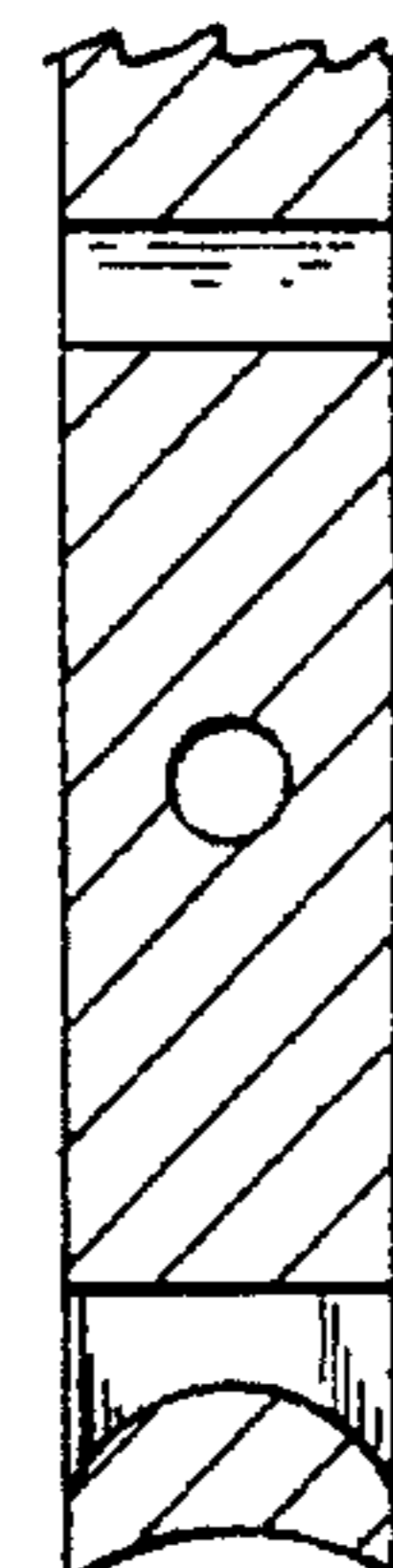


FIG. 5