



US00D382184S

United States Patent [19] Sung

[11] Patent Number: Des. 382,184

[45] Date of Patent: **Aug. 12, 1997

[54] **IMPACT WRENCH**

[75] Inventor: **Eric Sung**, Ta-Li, Taiwan

[73] Assignee: **K.K.U. Limited**, Tokyo, Japan

[**] Term: **14 Years**

[21] Appl. No.: **53,765**

[22] Filed: **Apr. 30, 1996**

[51] LOC (6) Cl. **08-05**

[52] U.S. Cl. **D8/68; D8/61**

[58] Field of Search D8/61, 68; 81/463,
81/464, 466, 467, 470; 173/93, 93.5, 93.6,
94, 169, 180, 183

[56] **References Cited**

U.S. PATENT DOCUMENTS

D. 298,207	10/1988	Kilmer et al.	D8/68
D. 339,726	9/1993	Bruno et al.	D8/68
357,849	5/1887	Izumisawa .	
358,314	5/1887	Izumisawa .	
364,544	11/1887	Izumisawa .	
5,492,185	2/1996	Schoeps et al.	173/183 X
5,544,710	8/1996	Groshans et al.	173/93.5 X

OTHER PUBLICATIONS

Ingersoll-Rand, 1992.
Chicago Pneumatic Automotive Air Tools, 1990.
Florida Pneumatic.
Dynabrade Automotive Finishing Systems, 1992.

Buffalo Tools and Accessories, 1992.
Astro Power, Astro Pneumatic Tool Company.
Viking Air Tools.
Mac Tools.
Raider Air Tools, Florida Pneumatic.
Sioux Tools, Inc.
Snap-On Worldwide.
Sunex Automotive Tools & Equipment, 1990-91.
Rodac Industrial Air Tools.
Zone King Industrial Co., Ltd.
RF Air Tools.
Automotive Power Tools, Ingersoll-Rand Catalog.
Chicago Pneumatic Automotive Air Tools, pp. 5 and 7.
Matco Tool and Equipment, 1992-93, pp. 162-164.
Air Tools, 1992, p. 2.

Primary Examiner—Antoine Duval Davis
Attorney, Agent, or Firm—Greer, Burns & Crain, Ltd.

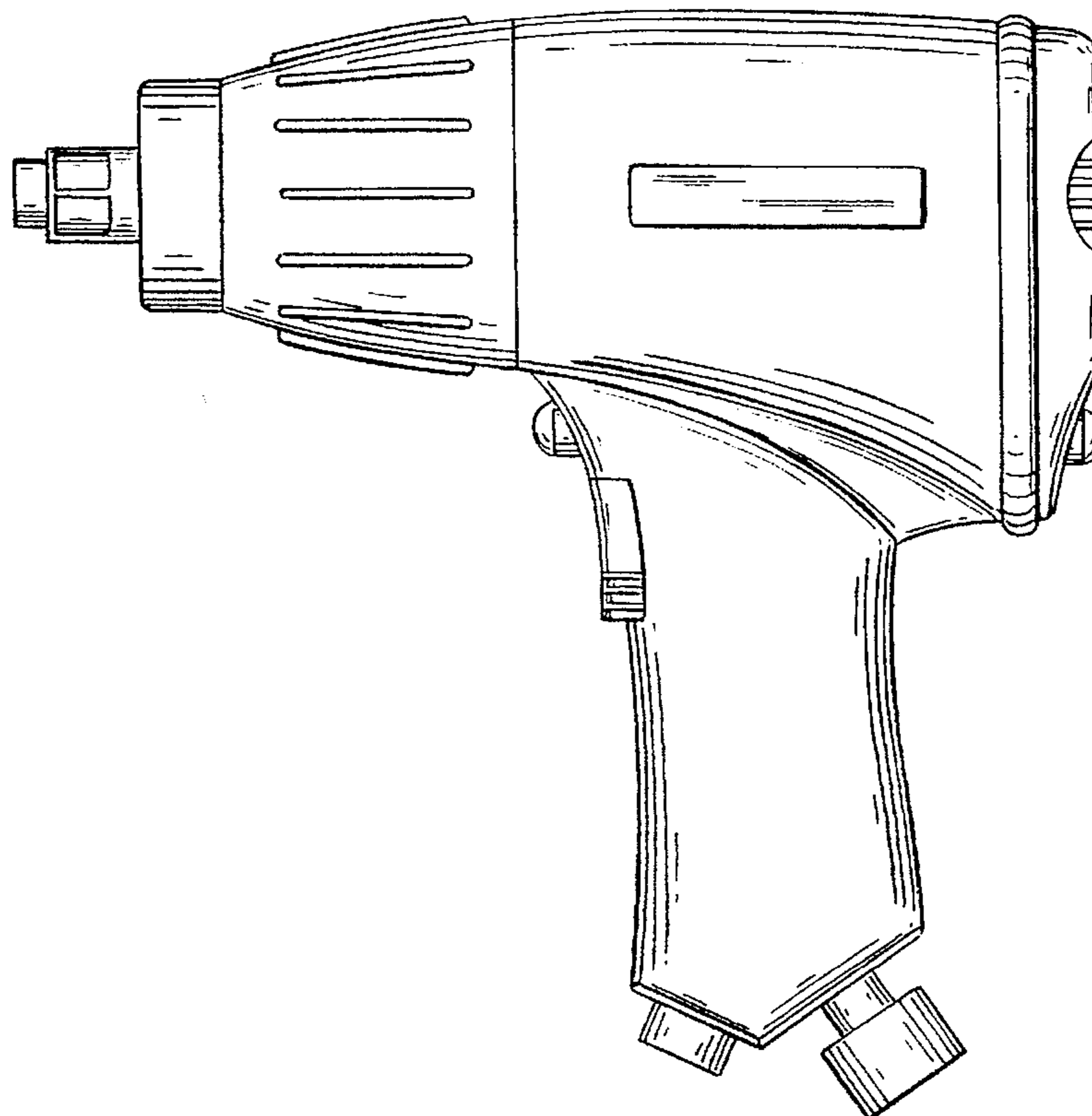
[57] **CLAIM**

The ornamental design for an impact wrench, as shown and described.

DESCRIPTION

FIG. 1 is a left side view of an impact wrench showing my design;
FIG. 2 is a rear view thereof;
FIG. 3 is a top view thereof;
FIG. 4 is a right side view thereof;
FIG. 5 is a front view thereof; and,
FIG. 6 is a bottom view thereof.

1 Claim, 2 Drawing Sheets



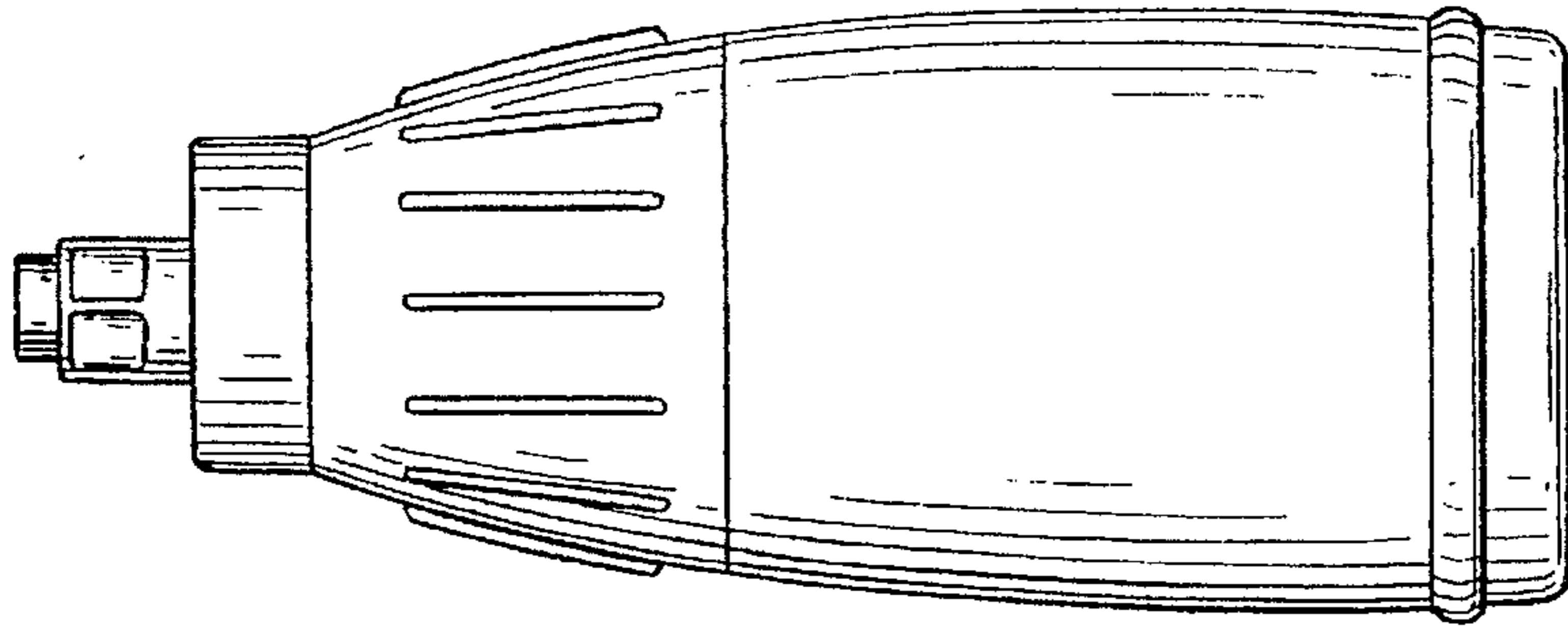


FIG. 3

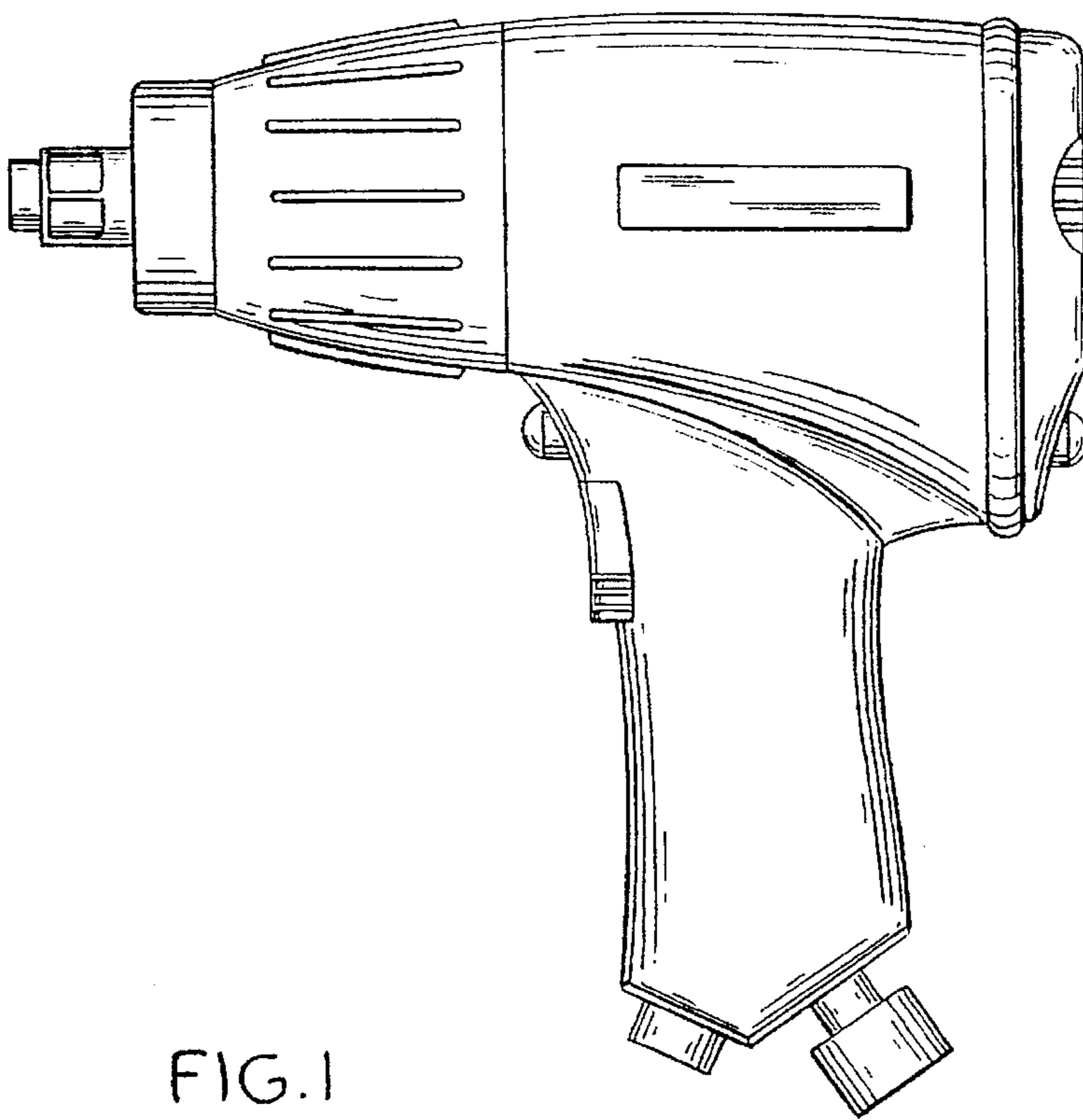


FIG. 1

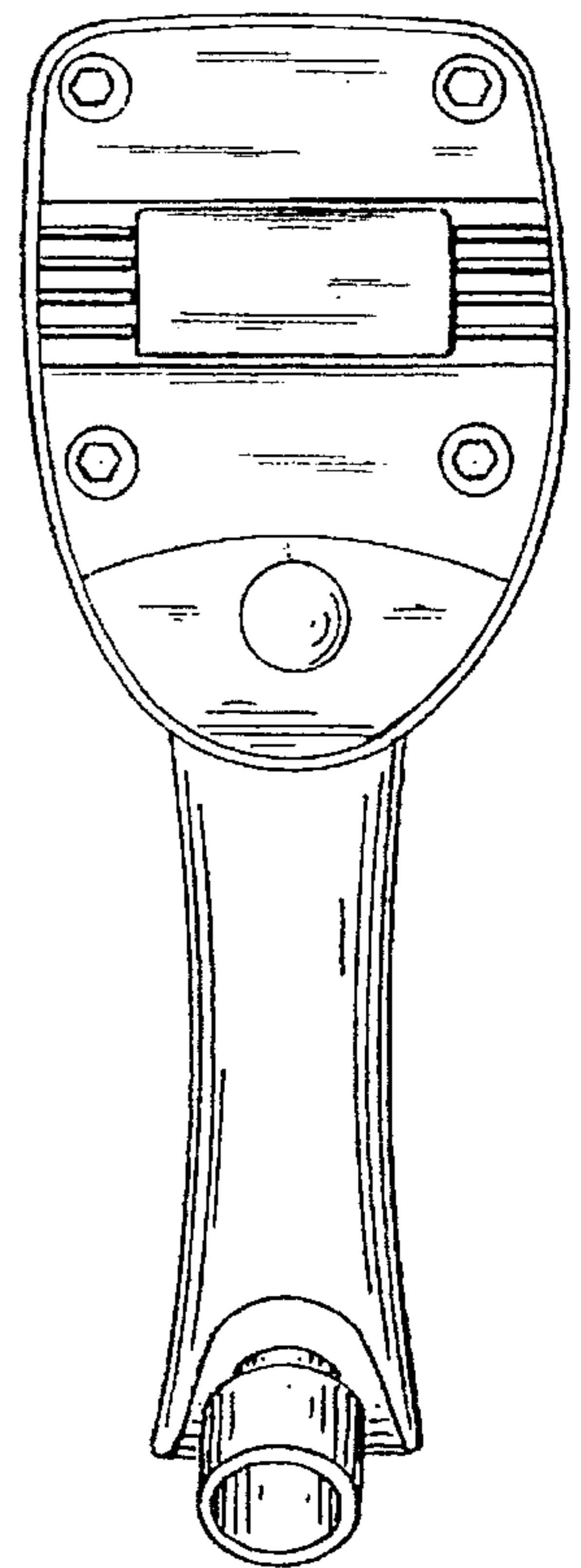


FIG. 2

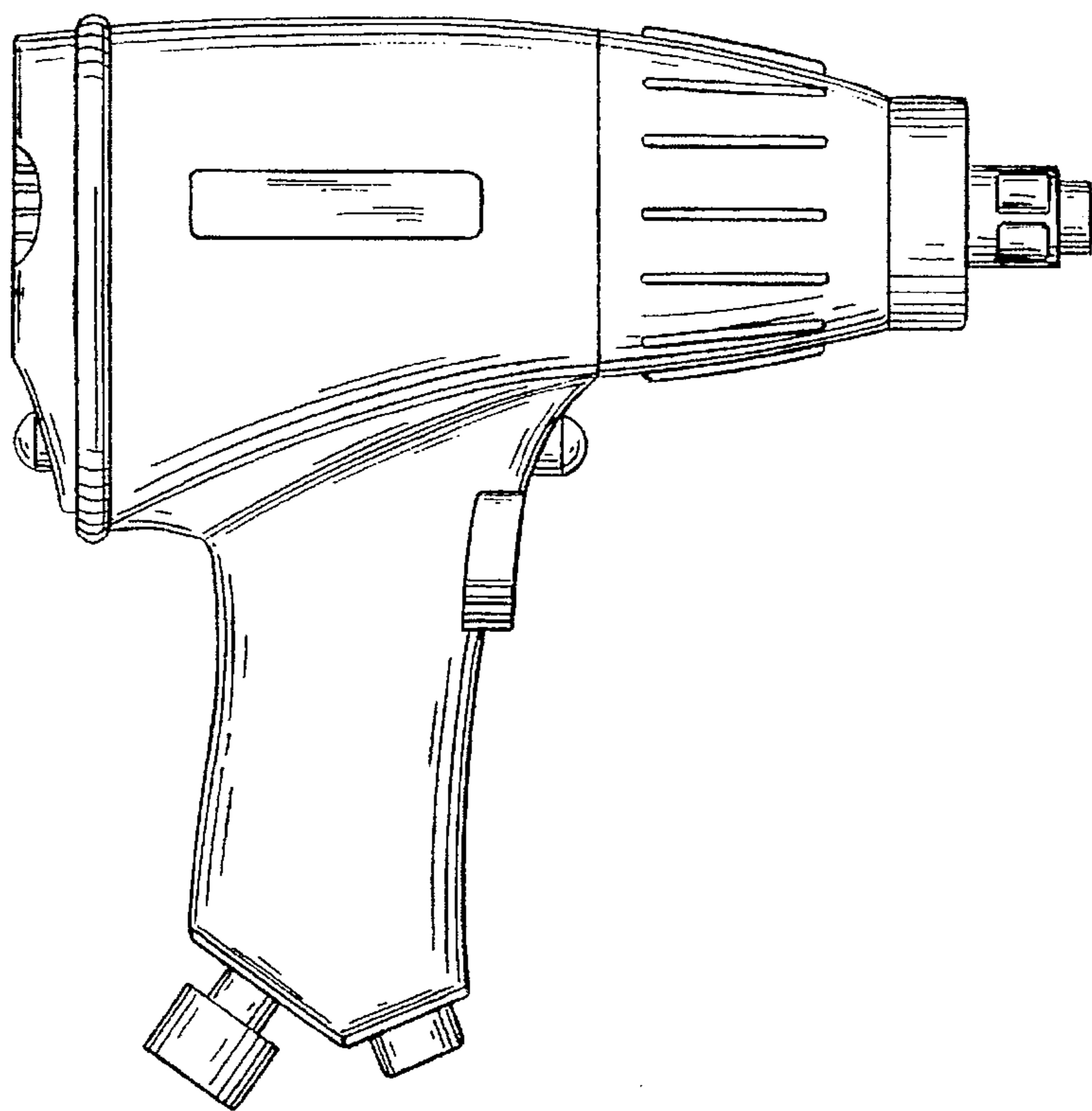


FIG. 4

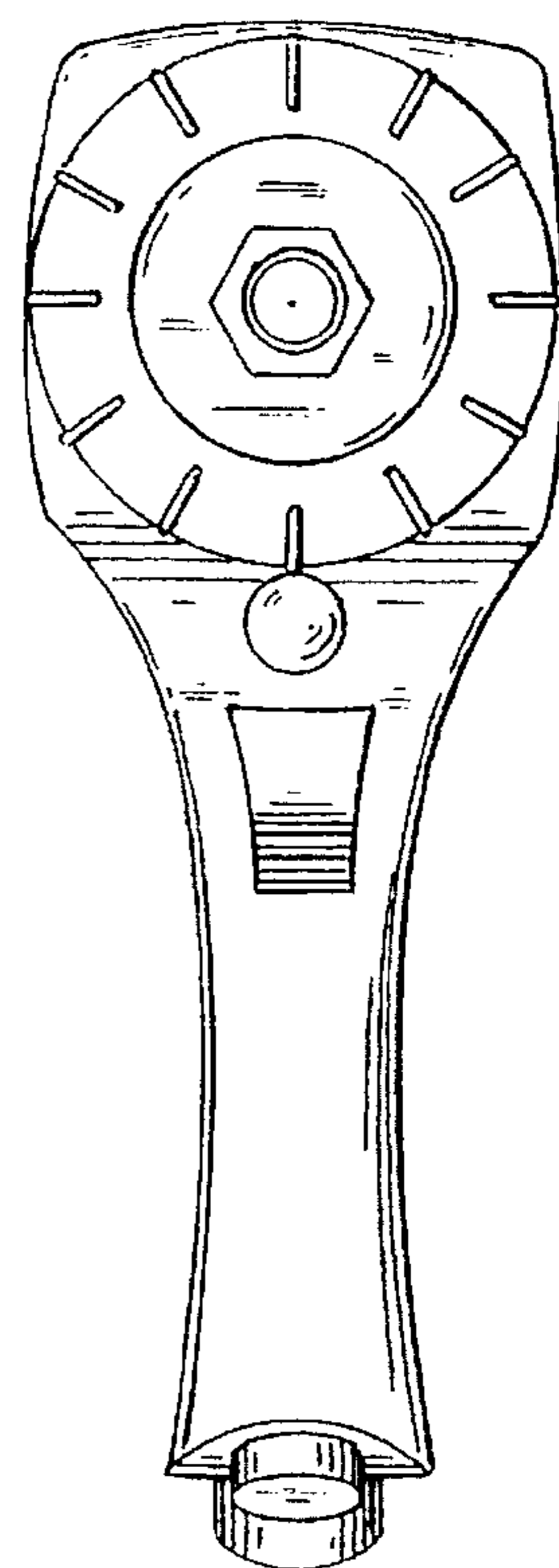


FIG. 5

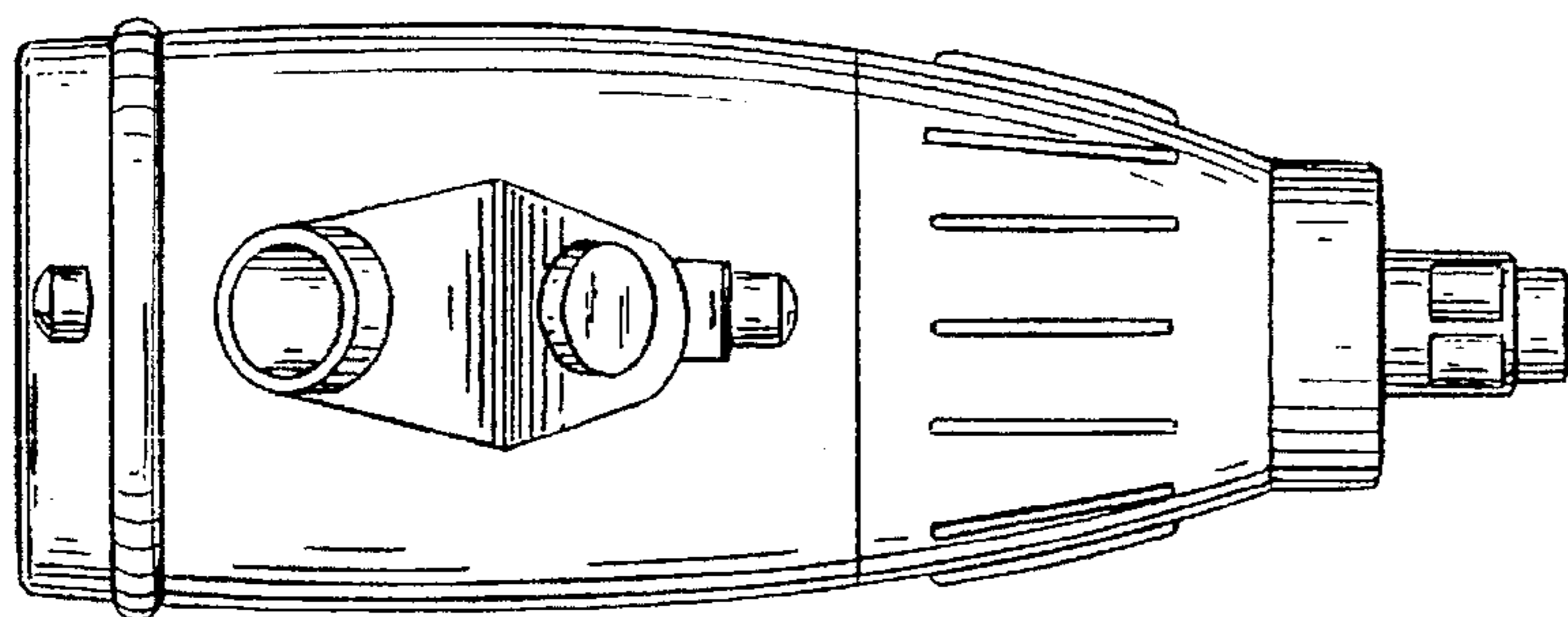


FIG. 6