



US00D382183S

United States Patent [19]

[11] Patent Number: **Des. 382,183**

Cooper

[45] Date of Patent: ****Aug. 12, 1997**

[54] **DUAL MODE SANDER**

[57] **CLAIM**

[75] Inventor: **Vince Cooper**, Durham City, United Kingdom

The ornamental design for a dual mode sander, as shown and described.

[73] Assignee: **Black & Decker Inc.**, Newark, Del.

DESCRIPTION

[**] Term: **14 Years**

FIG. 1 is a front perspective view of a dual mode sander showing my new design;

[21] Appl. No.: **50,954**

FIG. 2 is a front perspective view with the dustbag removed;

[22] Filed: **Feb. 26, 1996**

FIG. 3 is a front perspective view with dustbag and handle removed;

[30] **Foreign Application Priority Data**

Aug. 26, 1995 [GB] United Kingdom 204930

FIG. 4 is a front perspective view with handle removed;

[51] LOC (6) Cl. **08-01**

FIG. 5 is a left side elevational view of FIG. 4;

[52] U.S. Cl. **D8/62**

FIG. 6 is a right side elevational view of FIG. 4;

[58] Field of Search D8/62; 451/355-358

FIG. 7 is a bottom plan view of FIG. 1;

FIG. 8 is a top plan view of FIG. 1;

FIG. 9 is a front elevational view of FIG. 1;

FIG. 10 is a rear elevational view of FIG. 1;

FIG. 11 is a bottom perspective view with platen fitted, all other views not shown are identical to those shown in embodiment 1; and,

FIG. 12 is a bottom perspective view with shoe fitted, all other views not shown are identical to those shown in embodiment 1.

[56] **References Cited**

U.S. PATENT DOCUMENTS

D. 255,417 6/1980 Sakamoto et al. D8/62

Primary Examiner—Antoine Duval Davis

Attorney, Agent, or Firm—Dennis A. Dearing; John D. Del Ponti; Bruce S. Shapiro

1 Claim, 9 Drawing Sheets

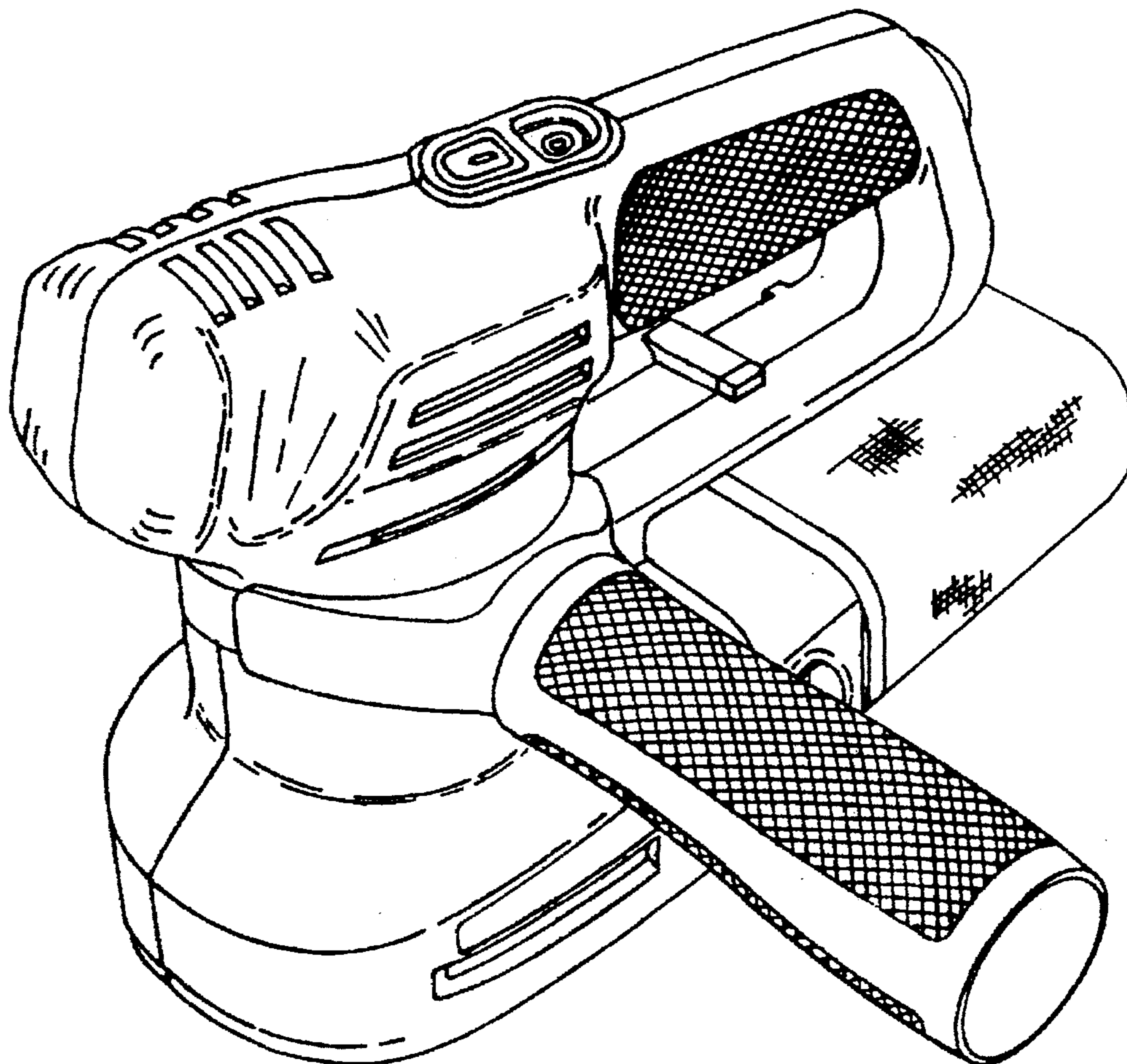


FIG.1

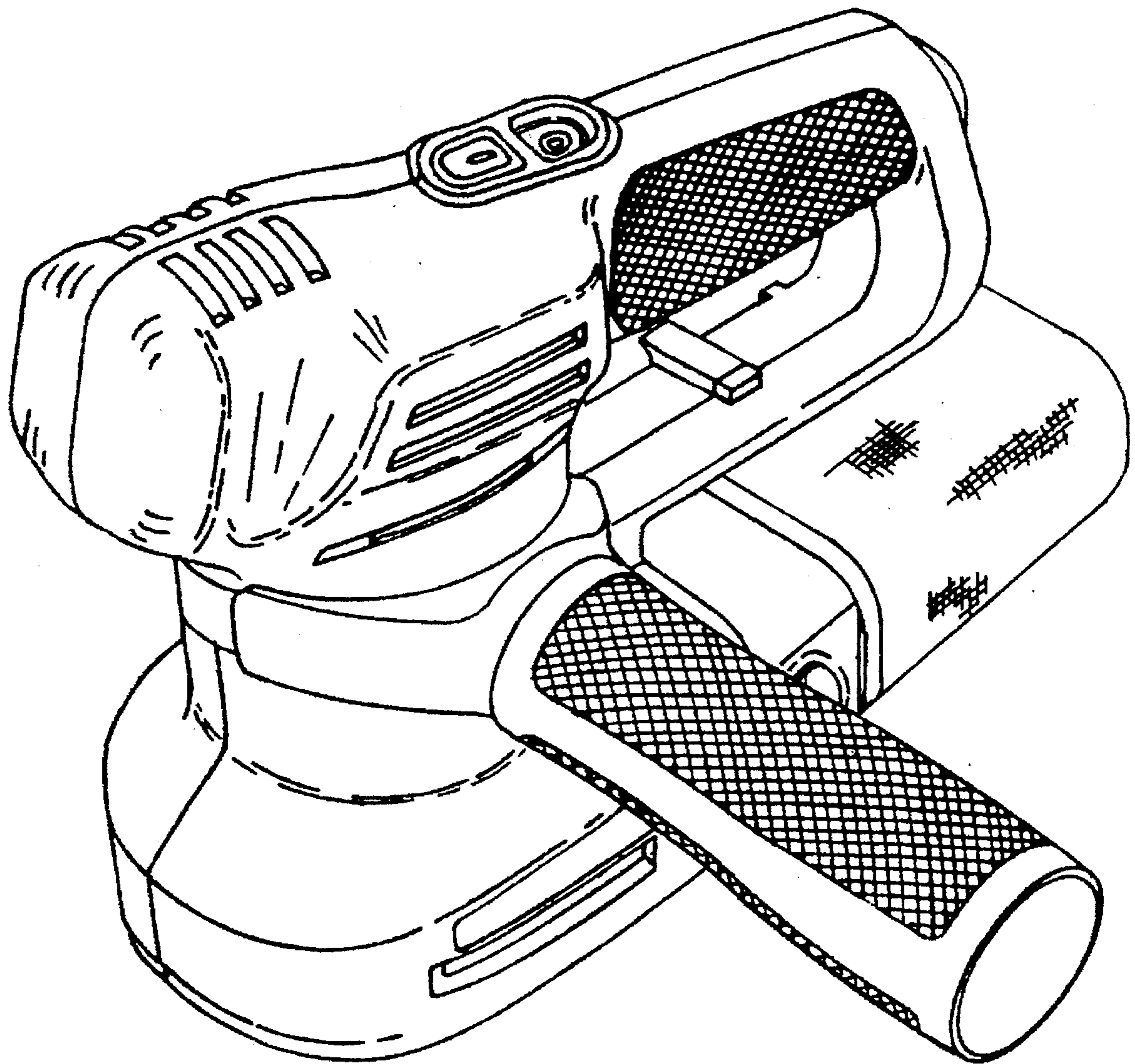


FIG.2

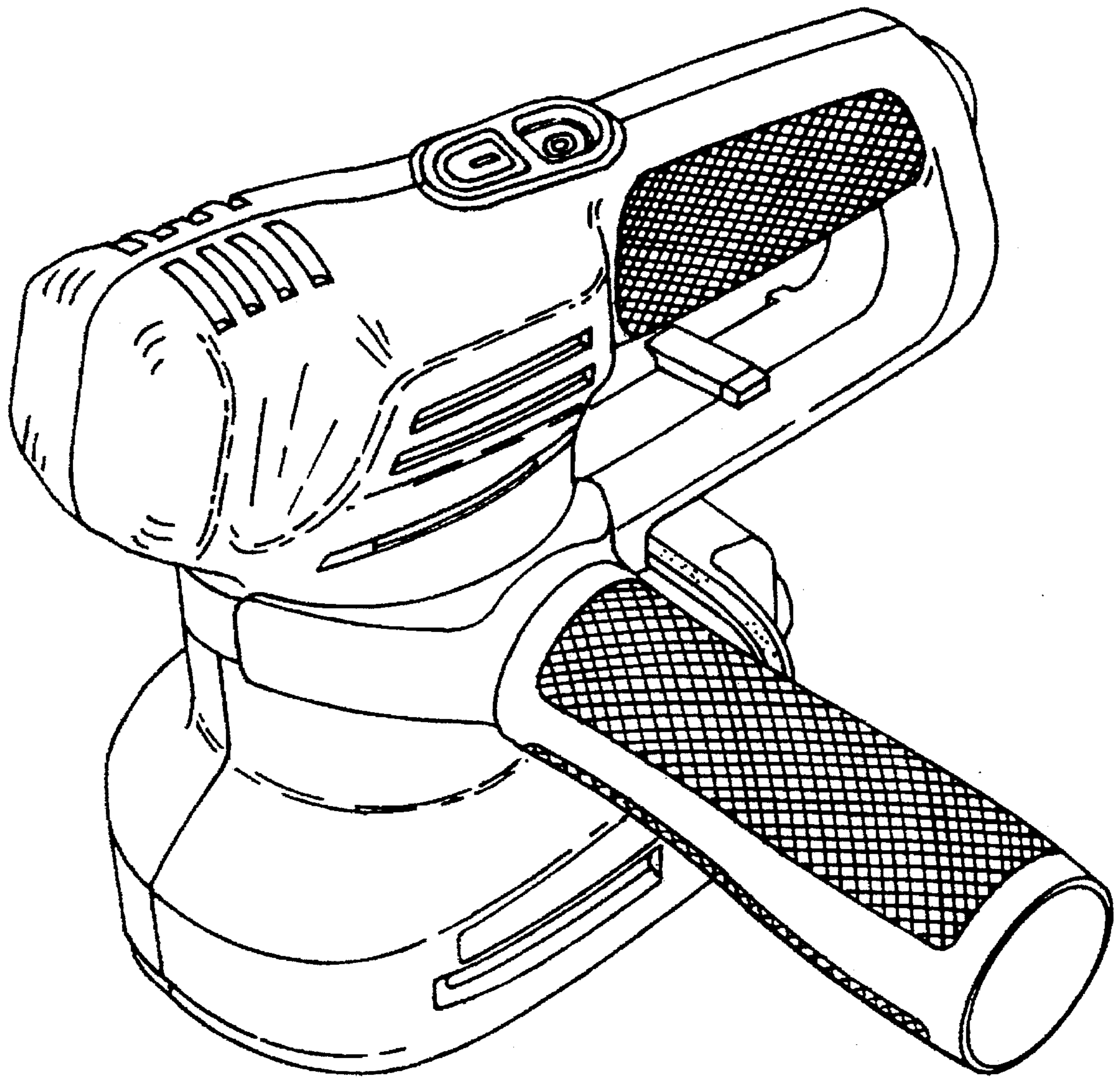


FIG.3

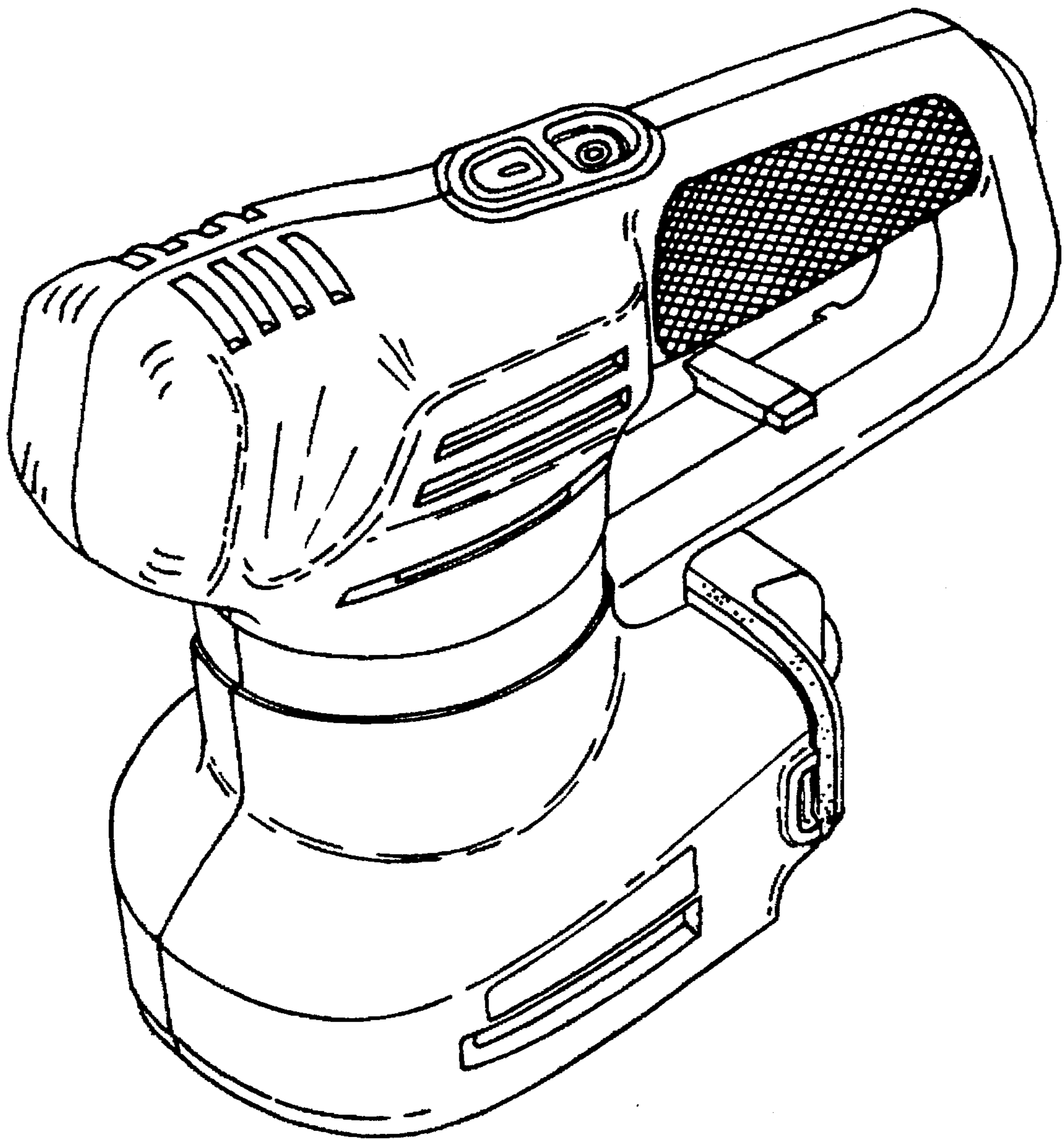


FIG.4

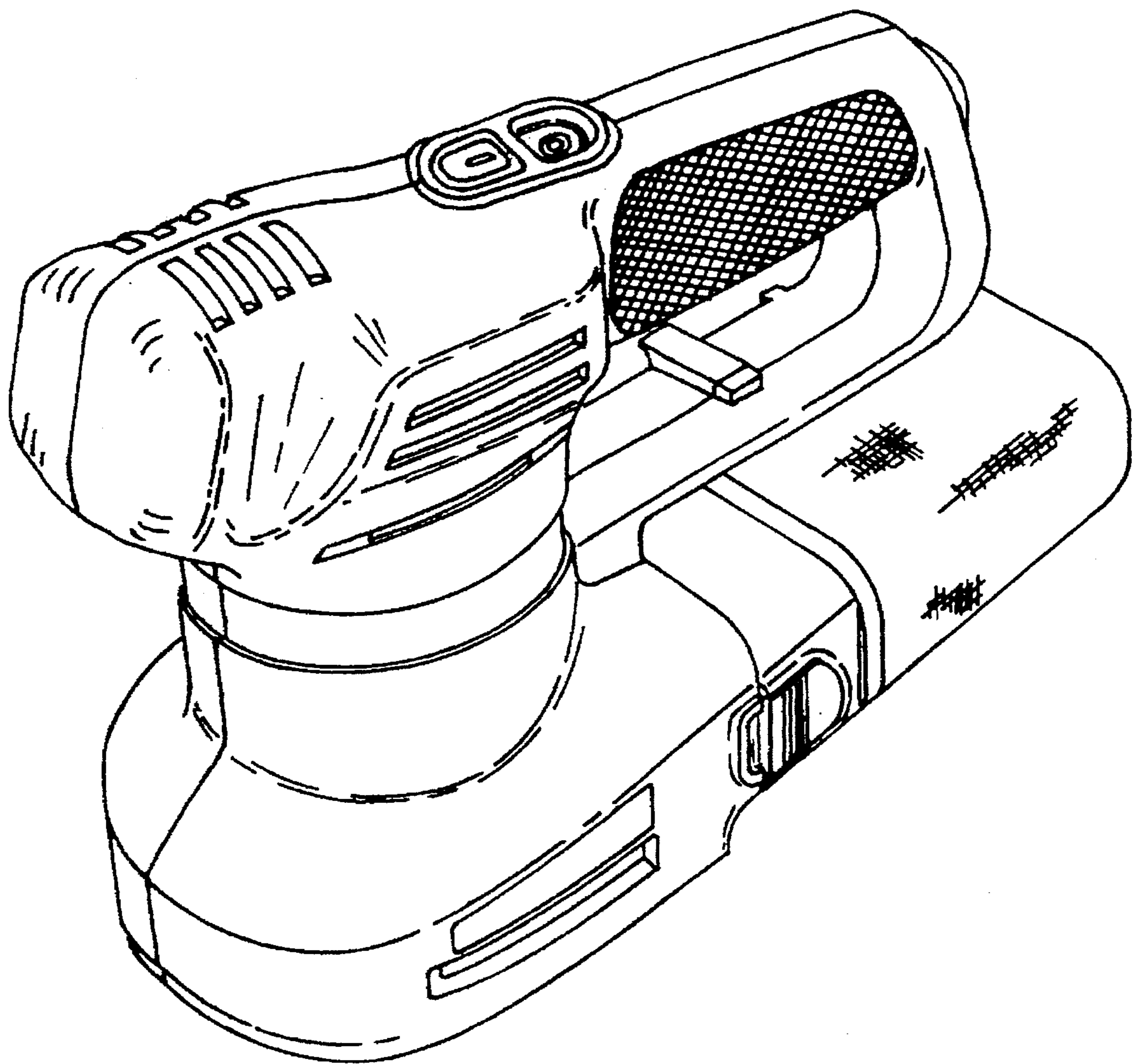


FIG.5

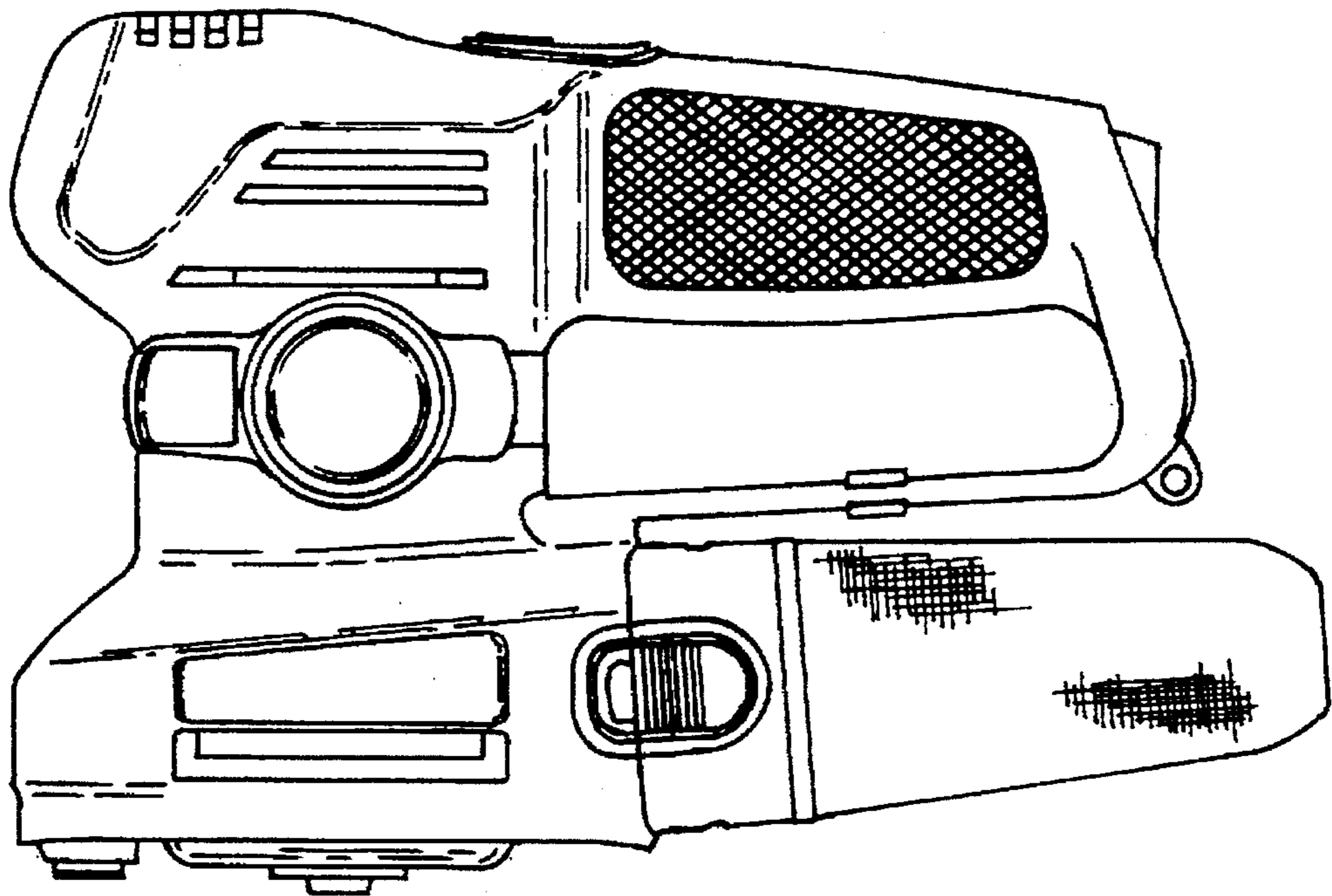


FIG.6

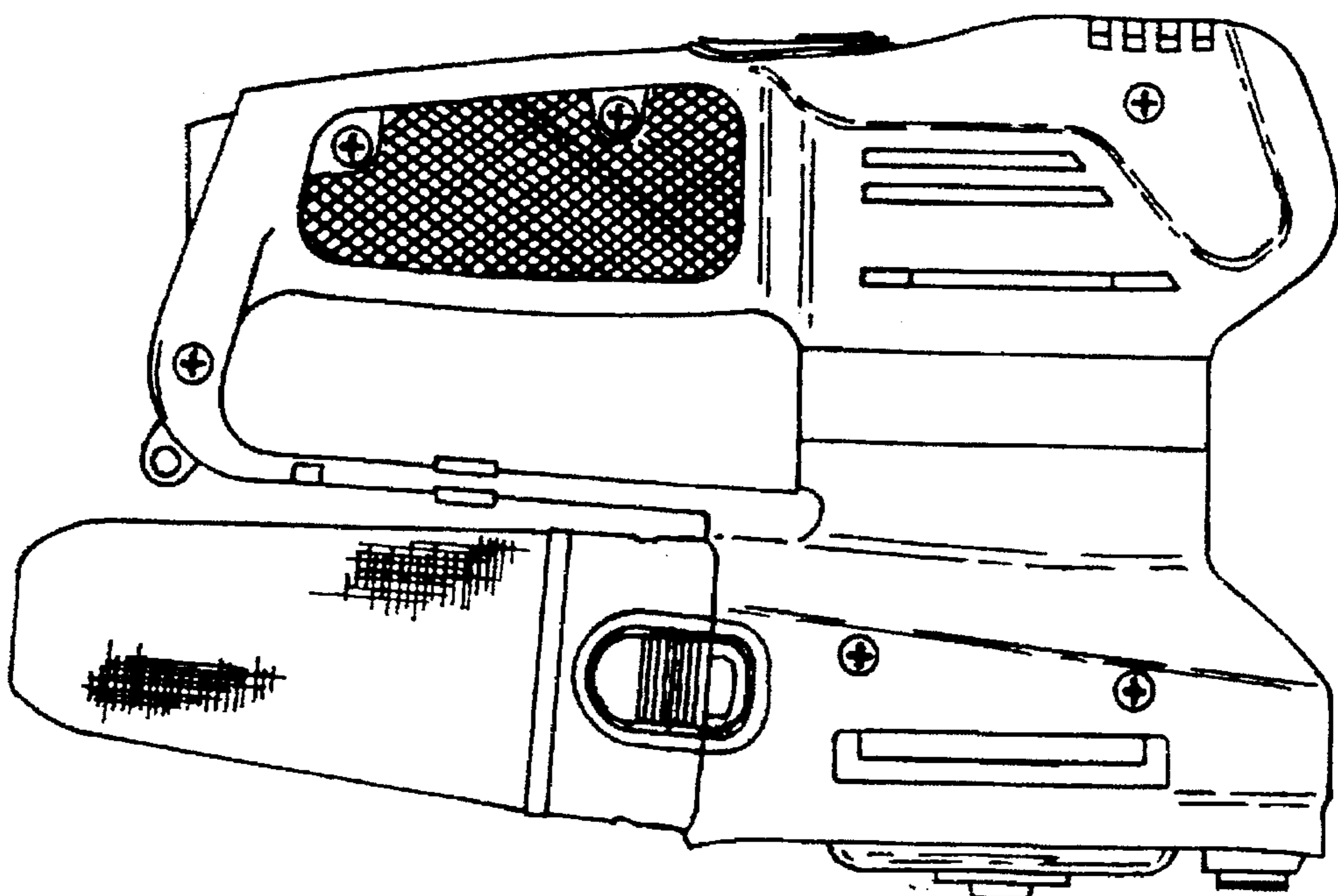


FIG.7

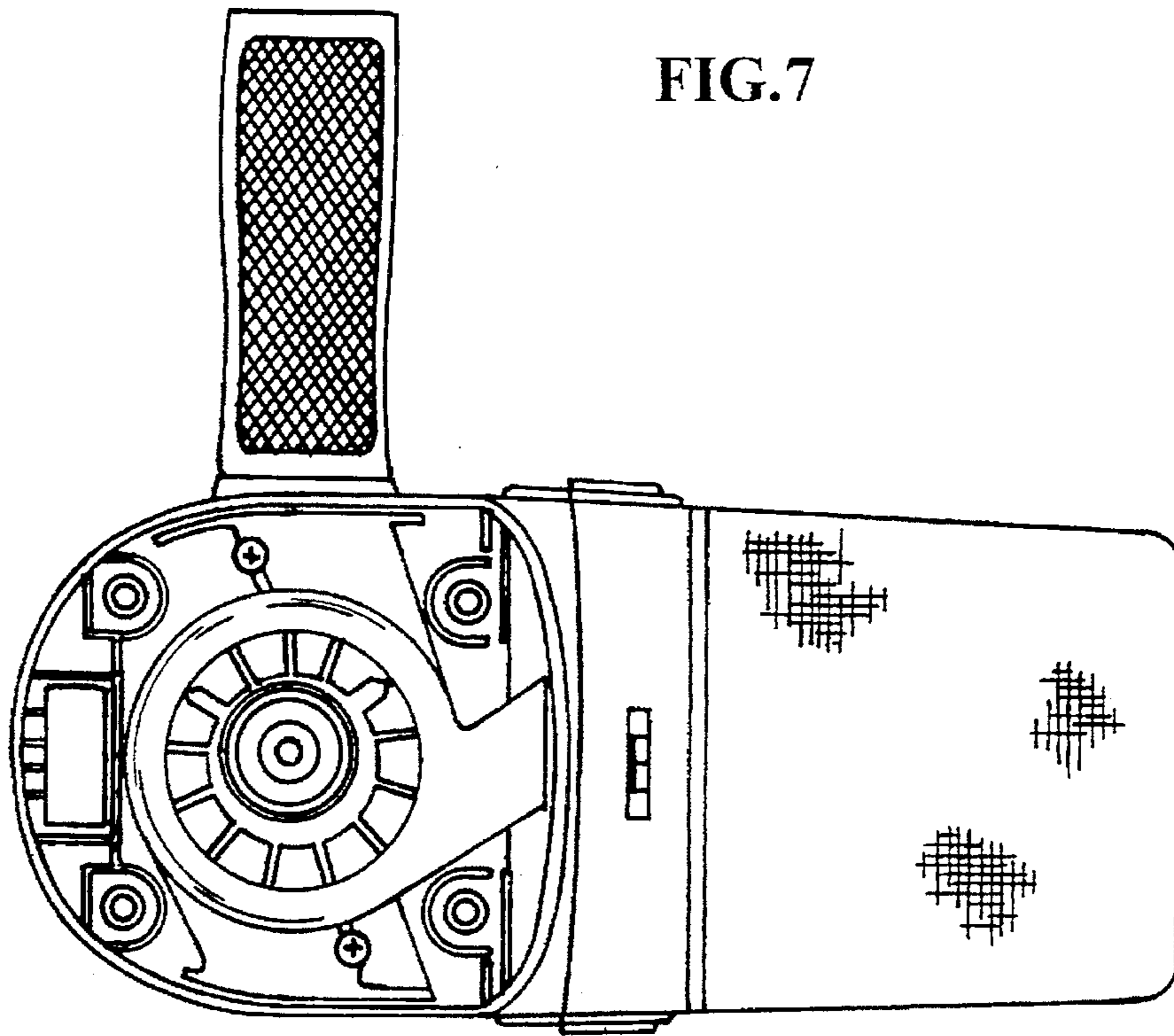


FIG.8

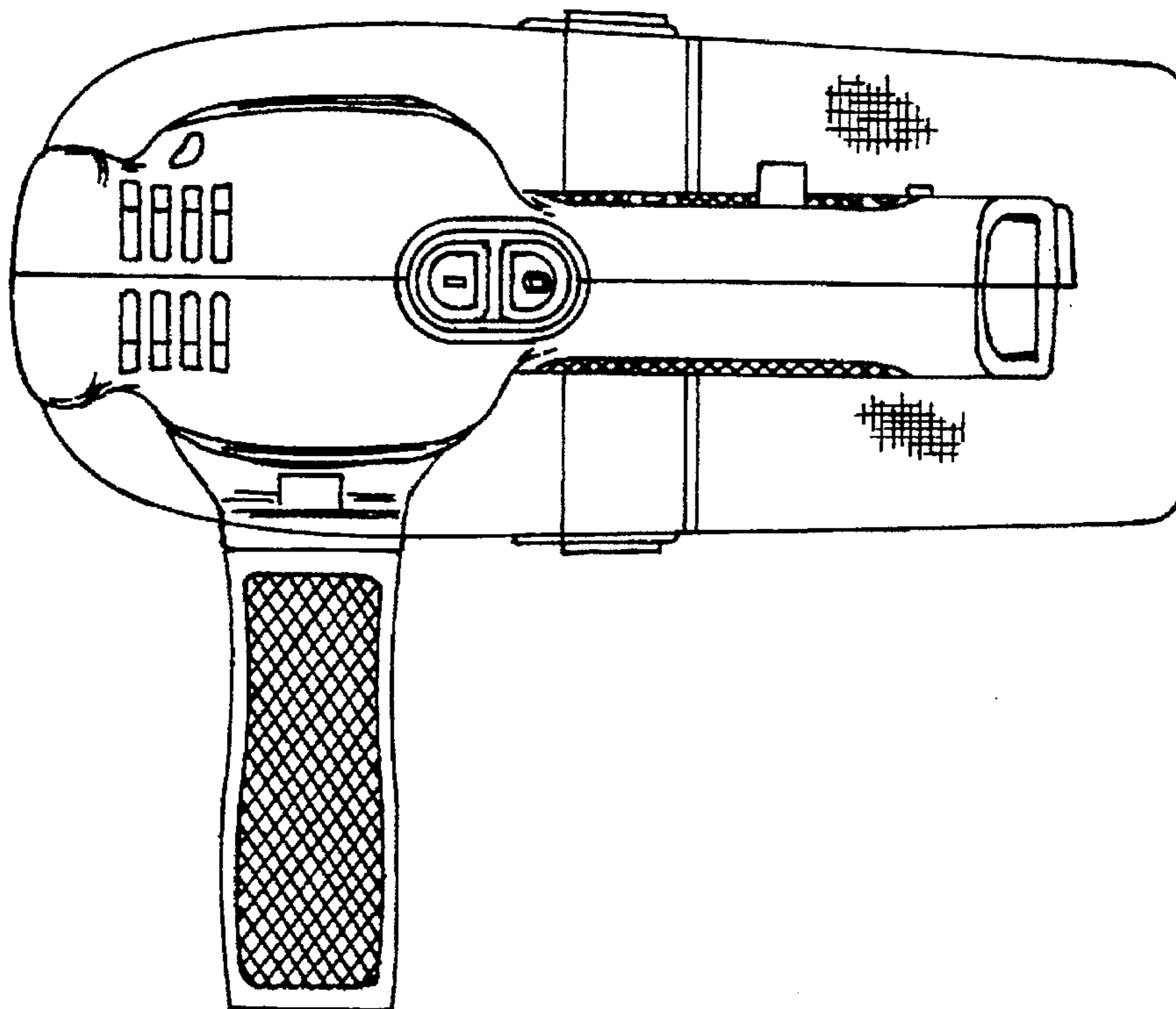


FIG.9

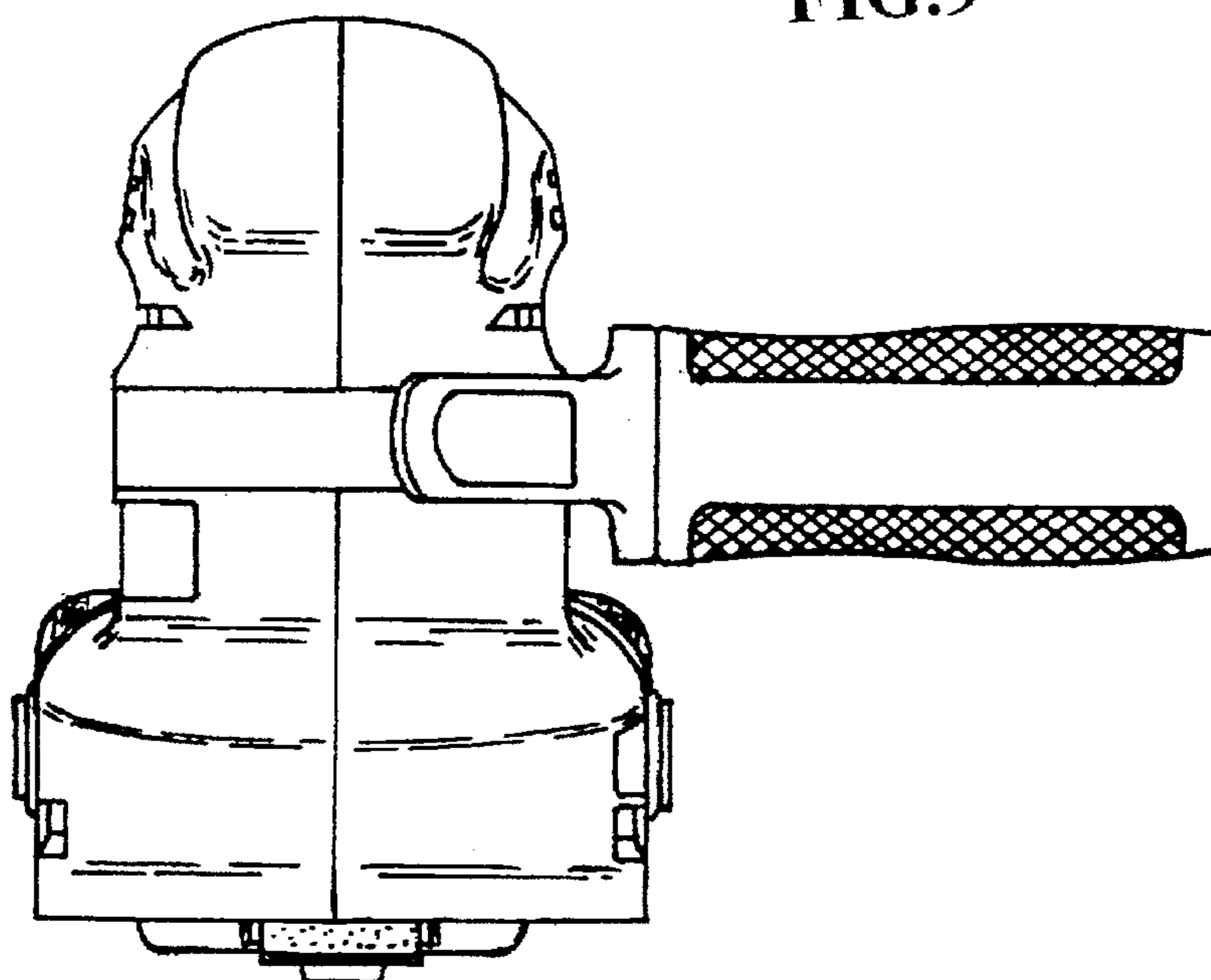


FIG.10

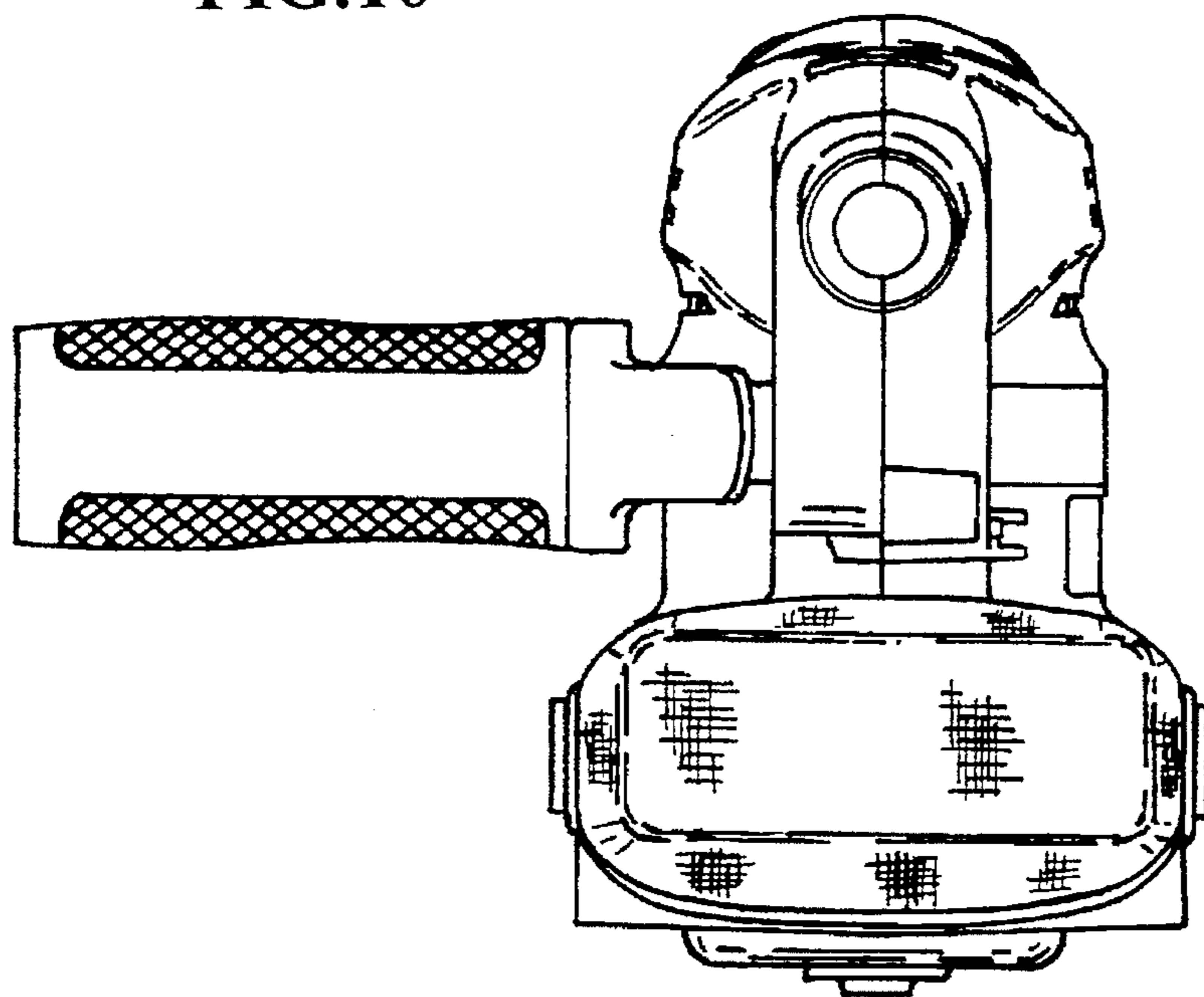


FIG.11

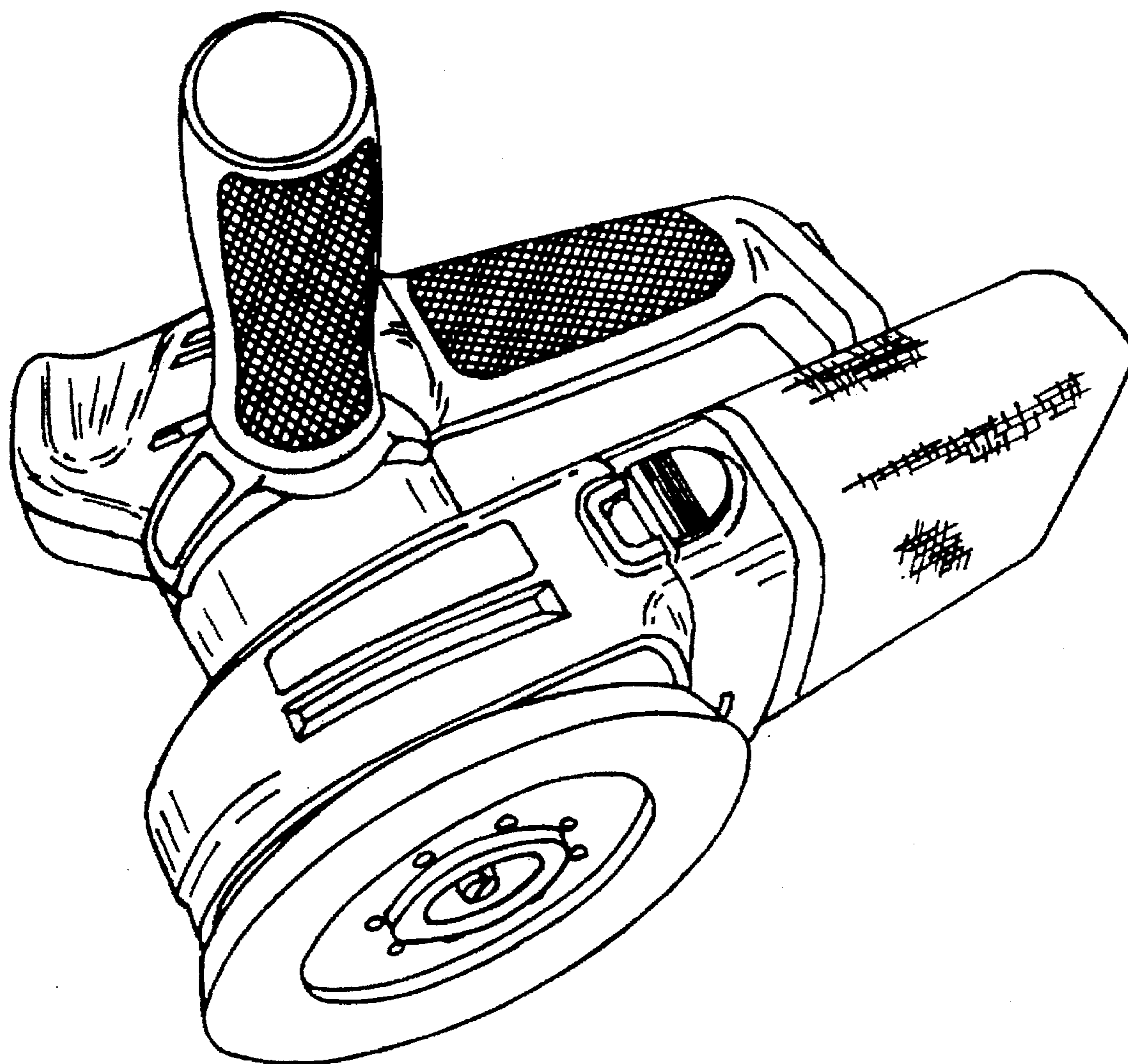


FIG.12

