



US00D382180S

United States Patent [19]

Chuang

[11] Patent Number: **Des. 382,180**

[45] Date of Patent: ****Aug. 12, 1997**

[54] COMBINATION WRENCH TOOL

5,148,435 9/1992 Wu 29/257
5,303,439 4/1994 Seals 7/138

[76] Inventor: **Louis Chuang**, 7th-8, No. 20, Da Long Road, Taichung, Taiwan

Primary Examiner—Sandra L. Morris
Assistant Examiner—Richelle Shelton
Attorney, Agent, or Firm—Charles E. Baxley, Esq.

[**] Term: **14 Years**

[21] Appl. No.: **43,647**

[57] **CLAIM**

[22] Filed: **Sep. 8, 1995**

The ornamental design for a combination wrench tool, as shown and described.

[51] LOC (6) Cl. **08-05**

DESCRIPTION

[52] U.S. Cl. **D8/26; D8/28; D8/29; D8/105**

[58] Field of Search D8/14, 21, 22, D8/26-28, 105; 7/138, 139; 29/270; 269/47, 909; 59/7

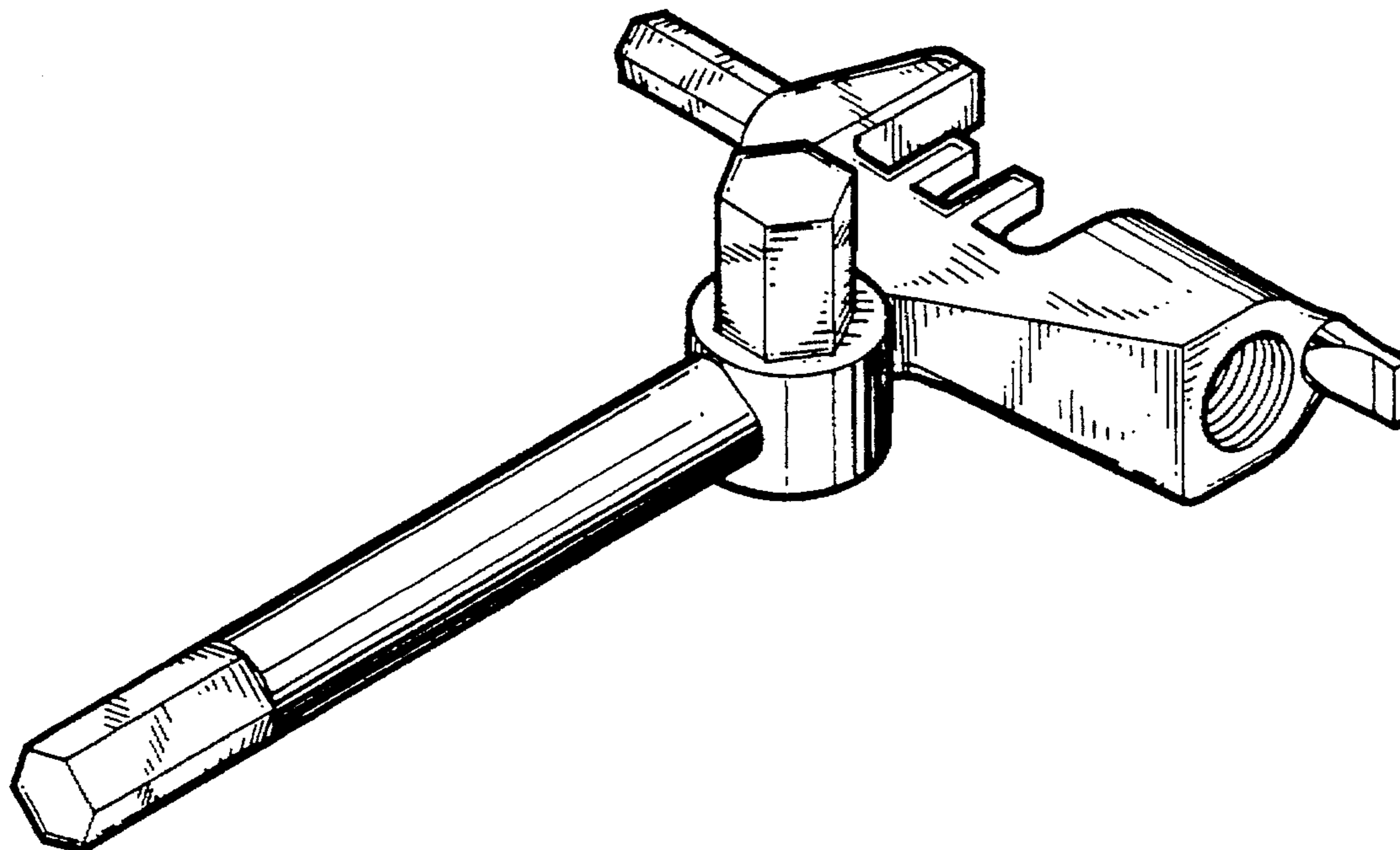
FIG. 1 is a perspective view of a combination wrench tool showing my new design;
FIG. 2 is a front elevational view thereof;
FIG. 3 is a rear elevational view thereof;
FIG. 4 is a left side elevational view thereof;
FIG. 5 is a right side elevational view thereof;
FIG. 6 is a top plan view thereof; and,
FIG. 7 is a bottom plan view thereof.

[56] **References Cited**

U.S. PATENT DOCUMENTS

D. 304,898 12/1989 Brawner et al. D8/26
4,967,435 11/1990 Seals 7/139

1 Claim, 2 Drawing Sheets



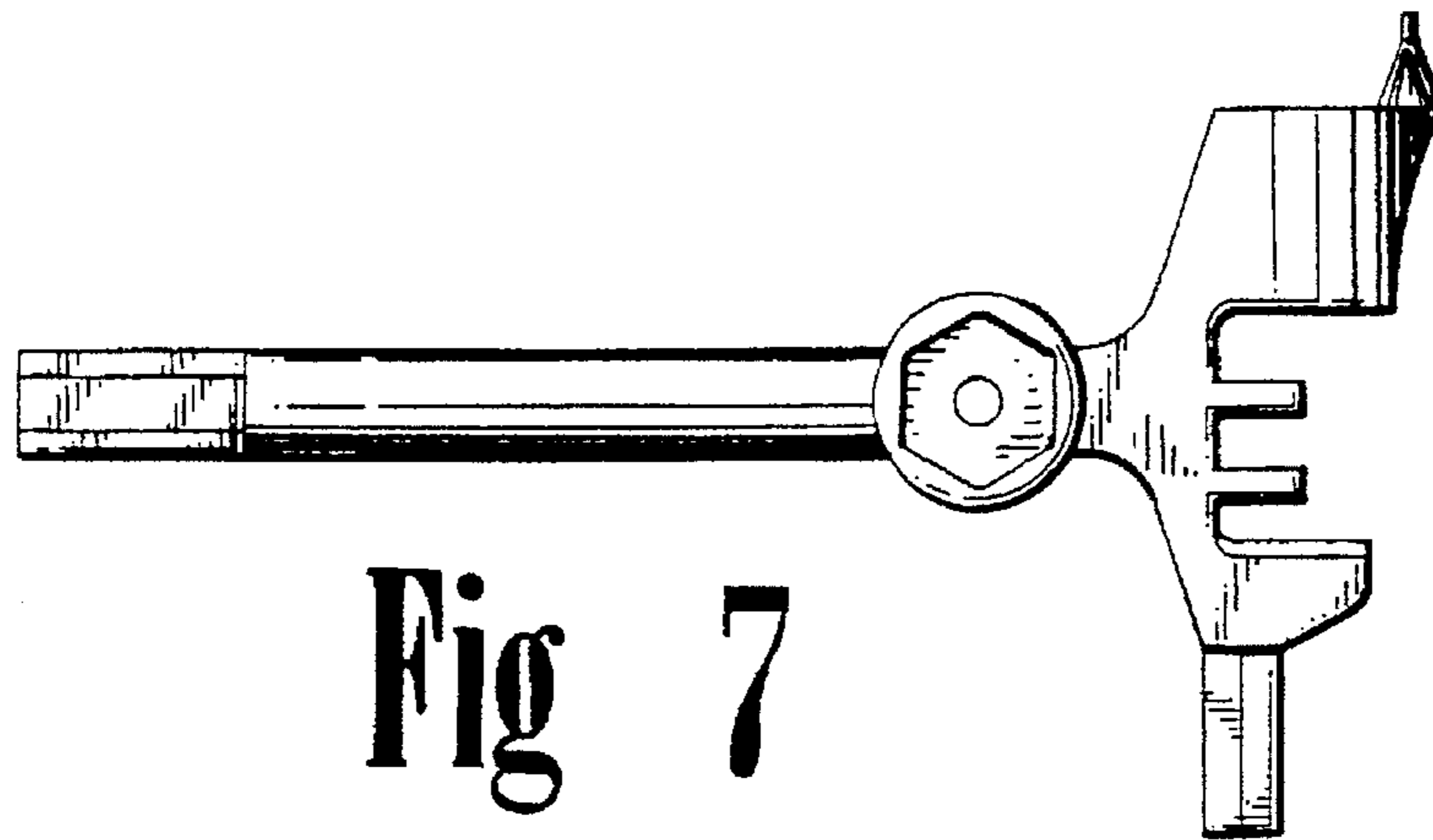


Fig 7

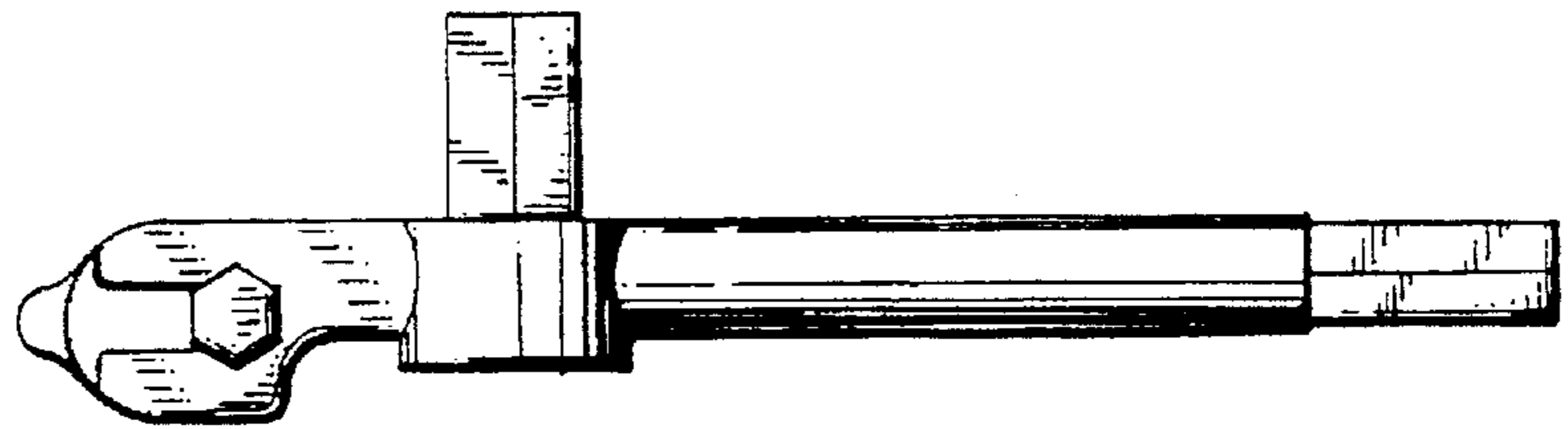


Fig 3

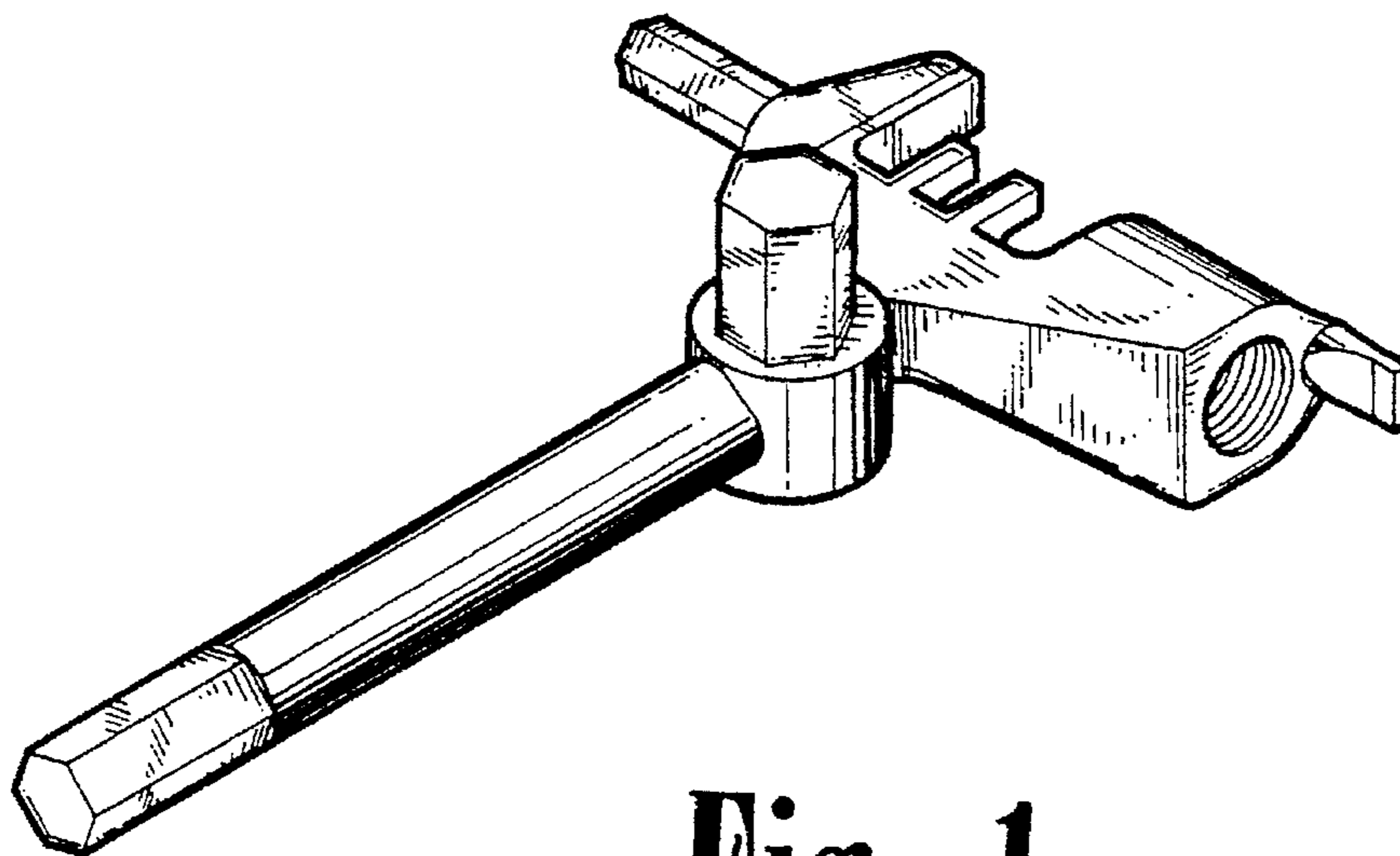


Fig 1

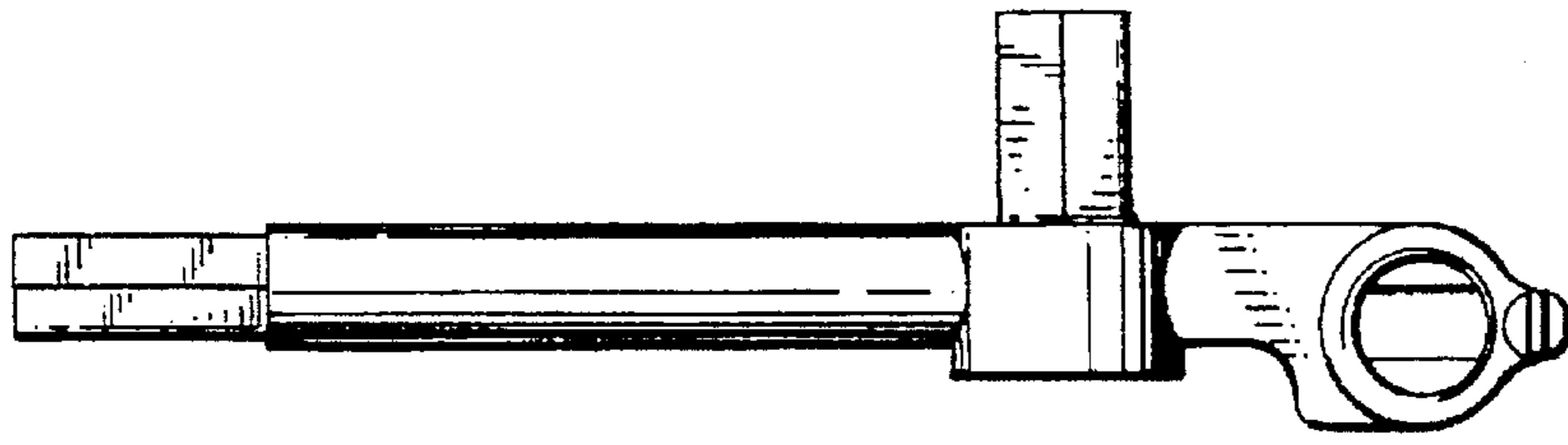


Fig 2

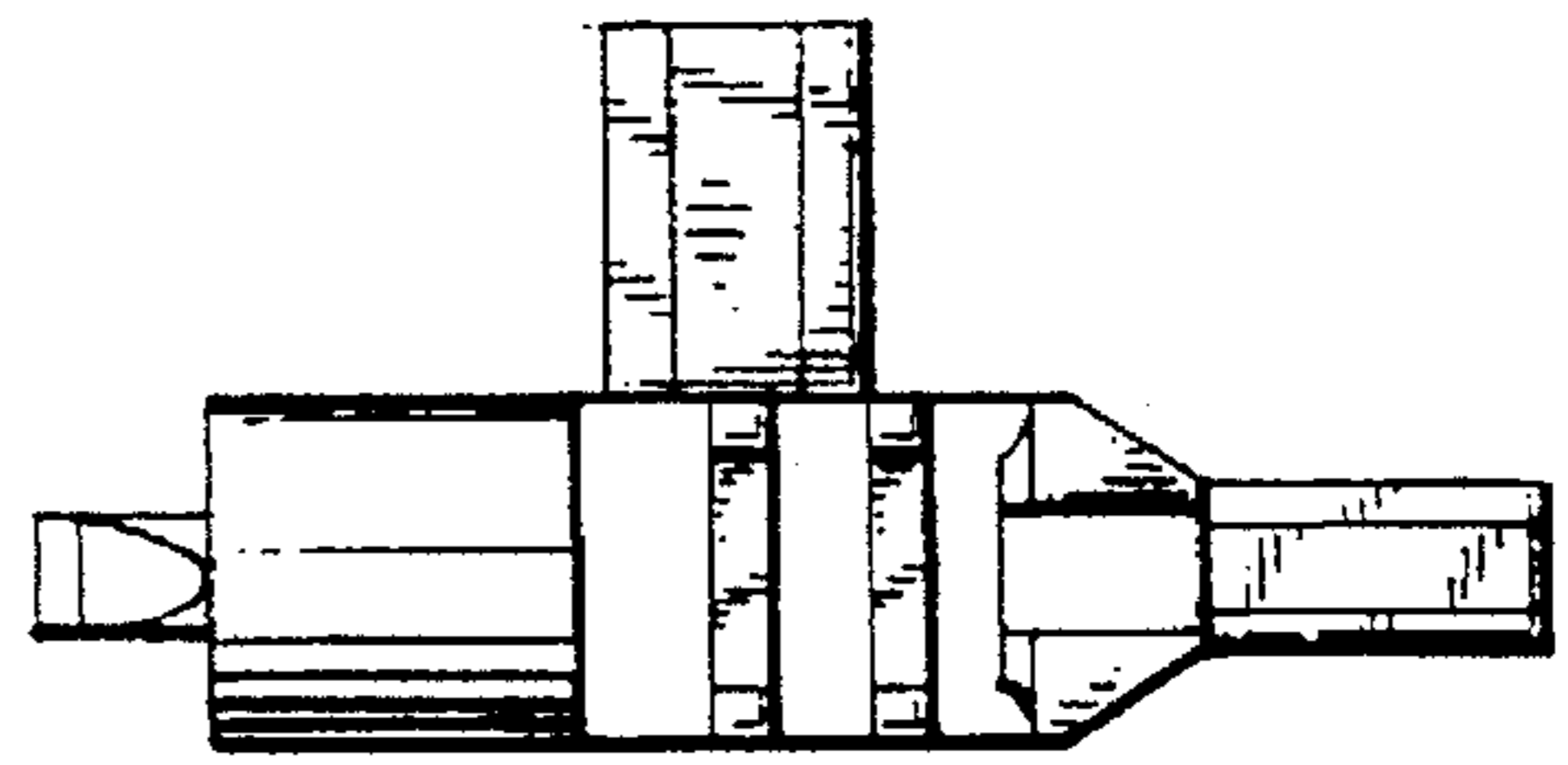


Fig 5

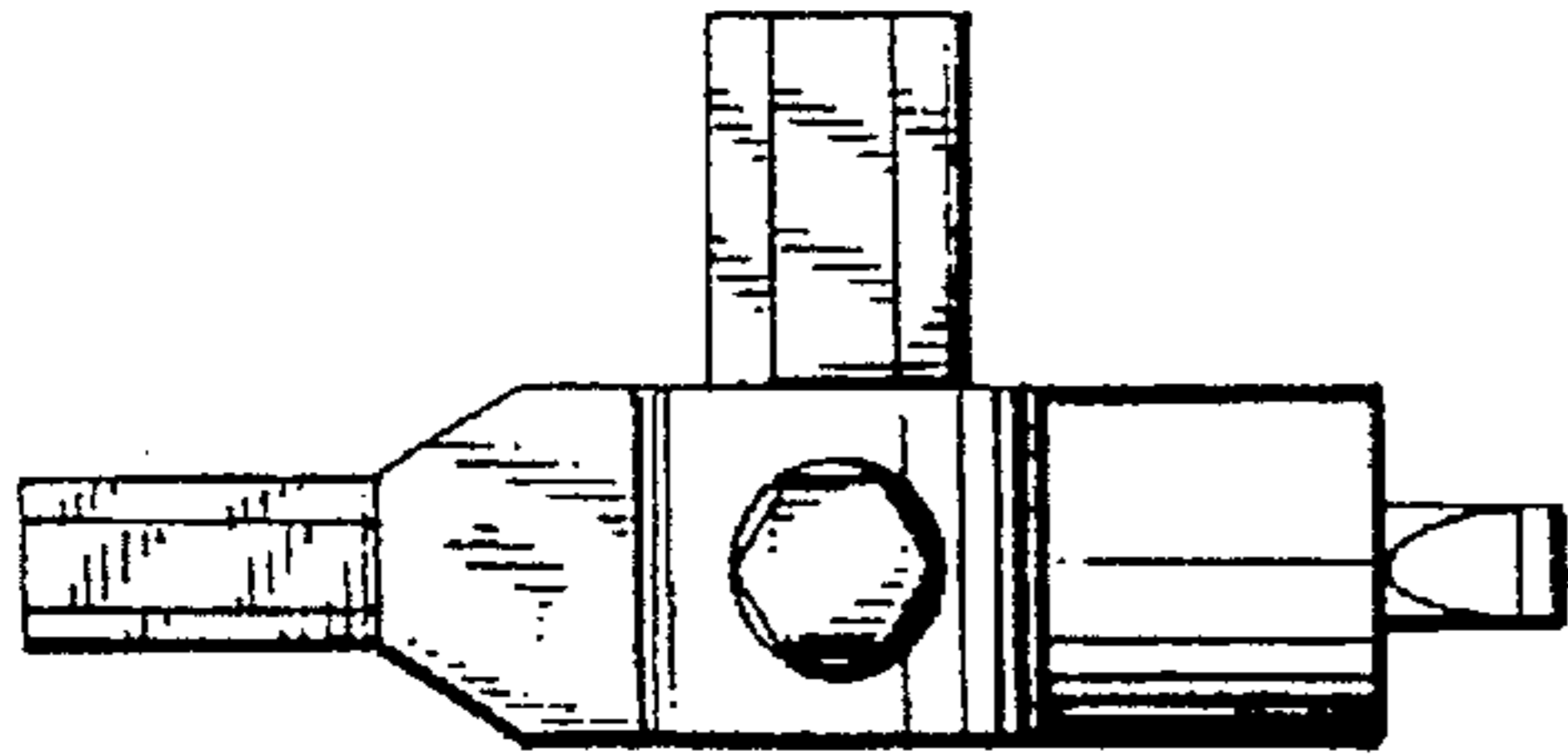


Fig 4

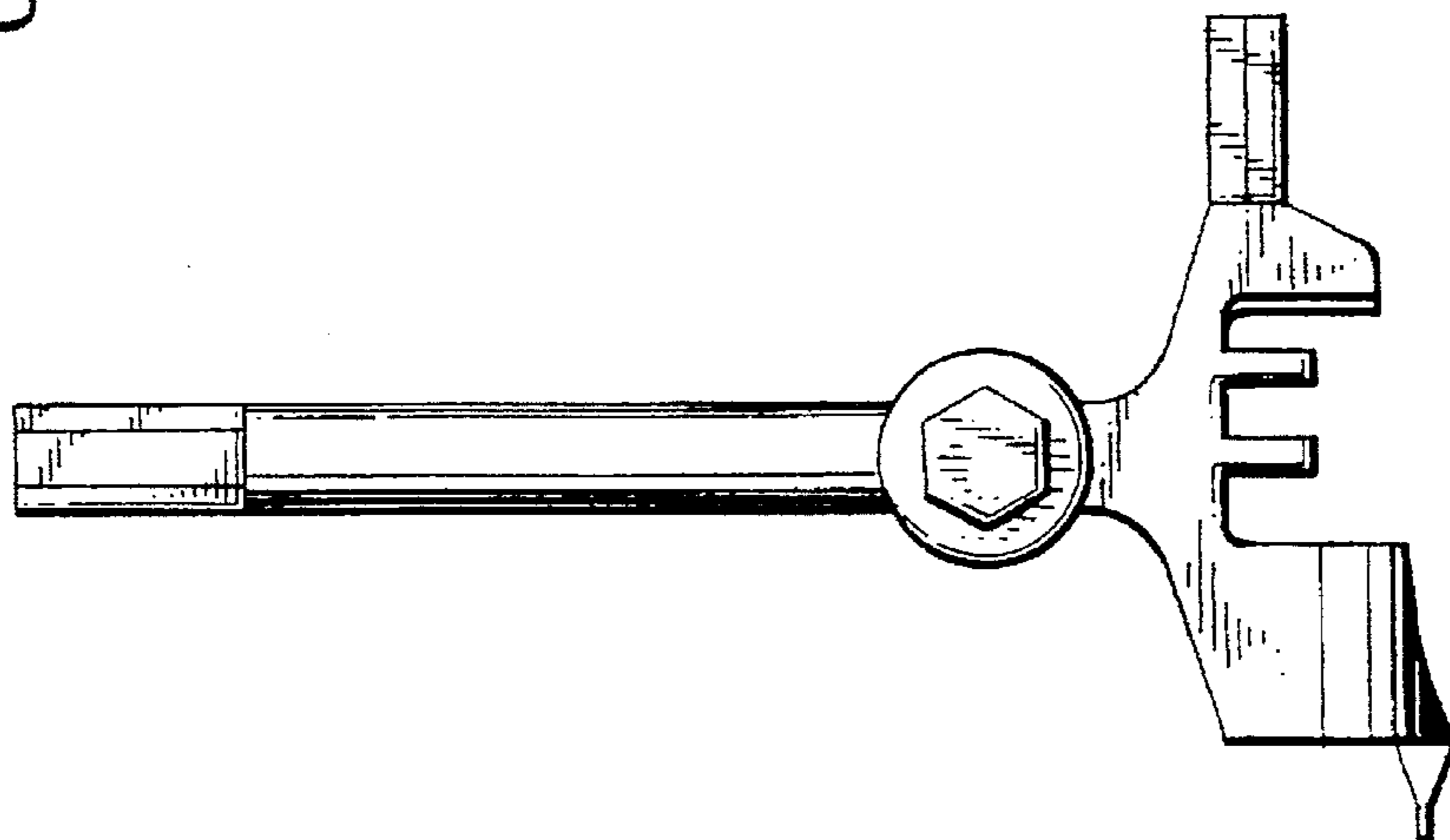


Fig 6