



US00D382175S

# United States Patent [19] Green

[11] Patent Number: **Des. 382,175**  
[45] Date of Patent: **\*\*Aug. 12, 1997**

[54] **CONTAINER FOR CHEMICAL COMPOUNDS THAT DELAY THE RIPENING OF FRUITS AND VEGETABLES**

[76] Inventor: **Dennis E. Green**, 102 Falcon Hills Dr., Highlands Ranch, Colo. 80126

[\*\*] Term: **14 Years**

[21] Appl. No.: **57,984**

[22] Filed: **Aug. 6, 1996**

[51] LOC (6) Cl. .... **07-01**

[52] U.S. Cl. .... **D7/538; D7/540; D7/629; D28/82**

[58] Field of Search ..... **D7/540, 547, 543, D7/538, 602, 608, 605, 629; 220/4.21, 574; D28/82**

[56] **References Cited**

**U.S. PATENT DOCUMENTS**

D. 69,183	1/1926	Lewis	.....	D28/82
D. 132,280	5/1942	Miller	.....	D7/560
D. 138,598	8/1944	Morris	.....	D28/82
D. 206,647	1/1967	Pfrommer	.....	D28/82
D. 243,912	4/1977	Daenen	.....	D7/584
D. 244,065	4/1977	Daenen	.....	D7/584
D. 244,742	6/1977	Daenen	.....	D7/538
D. 287,802	1/1987	Daenen	.....	D7/540
D. 298,362	11/1988	Filiz et al.	.....	D28/82
D. 318,346	7/1991	Bakic	.....	D28/82

D. 319,897	9/1991	Bakic	.....	D28/82
D. 326,797	6/1992	Pomroy et al.	.....	D7/538
D. 342,808	12/1993	Bakic	.....	D28/82
D. 350,477	9/1994	Hornblow et al.	.....	D7/540 X
D. 353,521	12/1994	Booten	.....	D7/538 X
D. 356,717	3/1995	Smith	.....	D7/629 X
5,205,431	4/1993	Zinnbauer	.....	D28/82 X

**FOREIGN PATENT DOCUMENTS**

376293 7/1932 United Kingdom ..... 206/557

*Primary Examiner*—M. N. Pandozzi

*Attorney, Agent, or Firm*—Dorr, Carson, Sloan & Birney, P.C.

[57] **CLAIM**

The ornamental design for a container for chemical compounds that delay the ripening of fruits and vegetables, as shown and described.

**DESCRIPTION**

FIG. 1 is a front perspective view of a container for chemical compounds that delay the ripening of fruits and vegetables showing my new design;

FIG. 2 is a top plan view thereof;

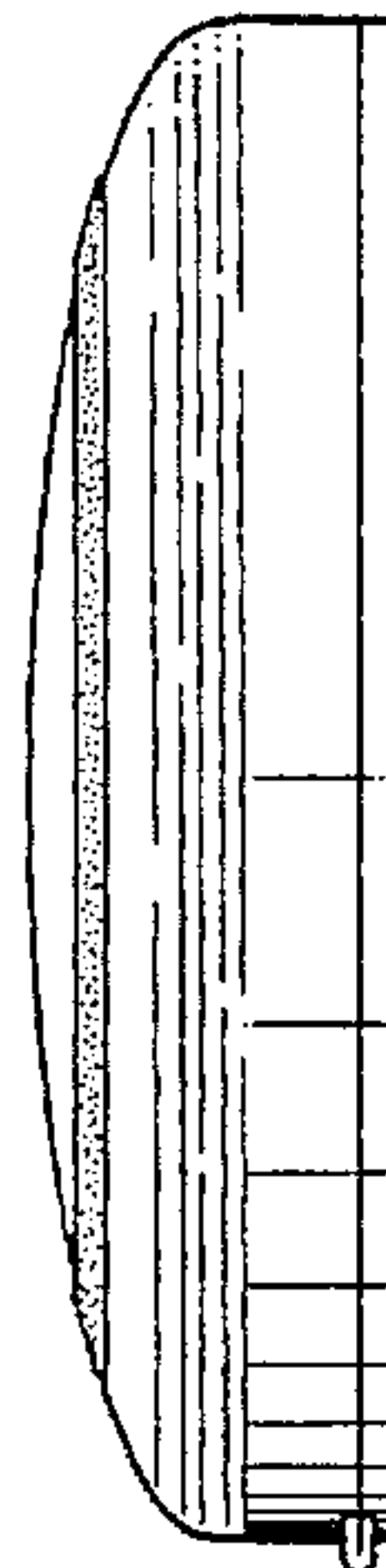
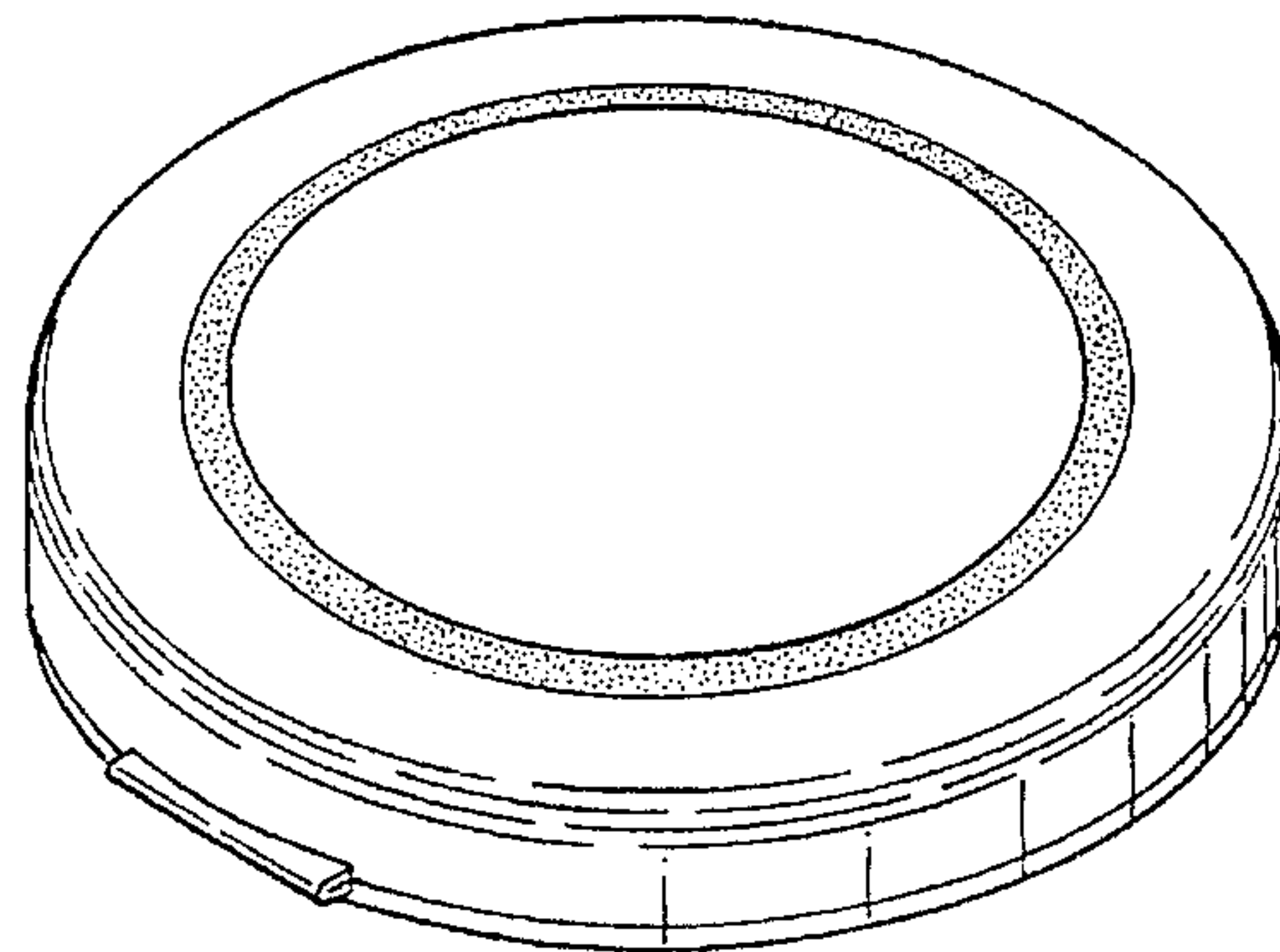
FIG. 3 is a right side elevational view thereof;

FIG. 4 is a rear elevational view thereof;

FIG. 5 is a bottom plan view thereof; and,

FIG. 6 is a front elevational view thereof.

**1 Claim, 2 Drawing Sheets**



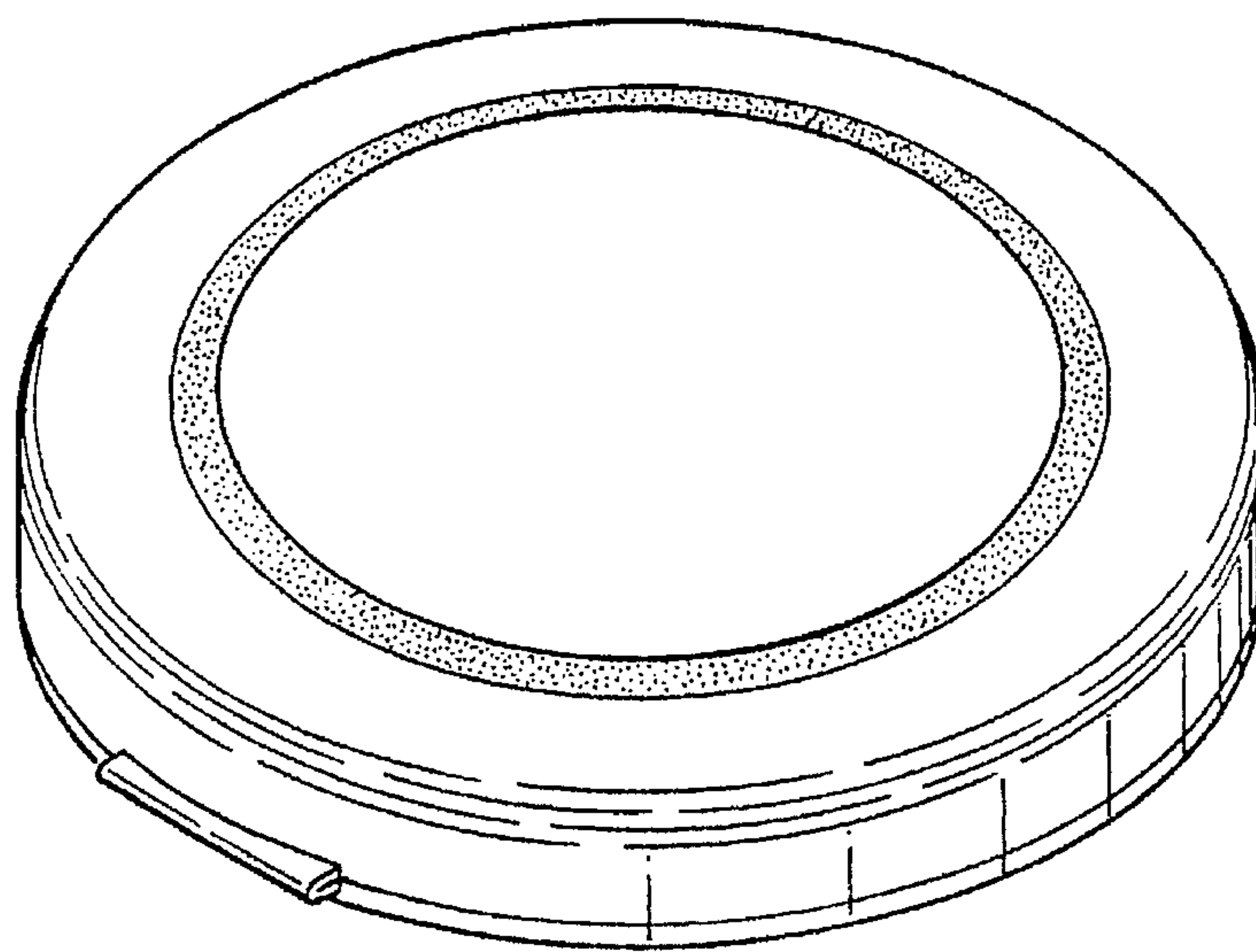


Fig. 1

Fig. 3

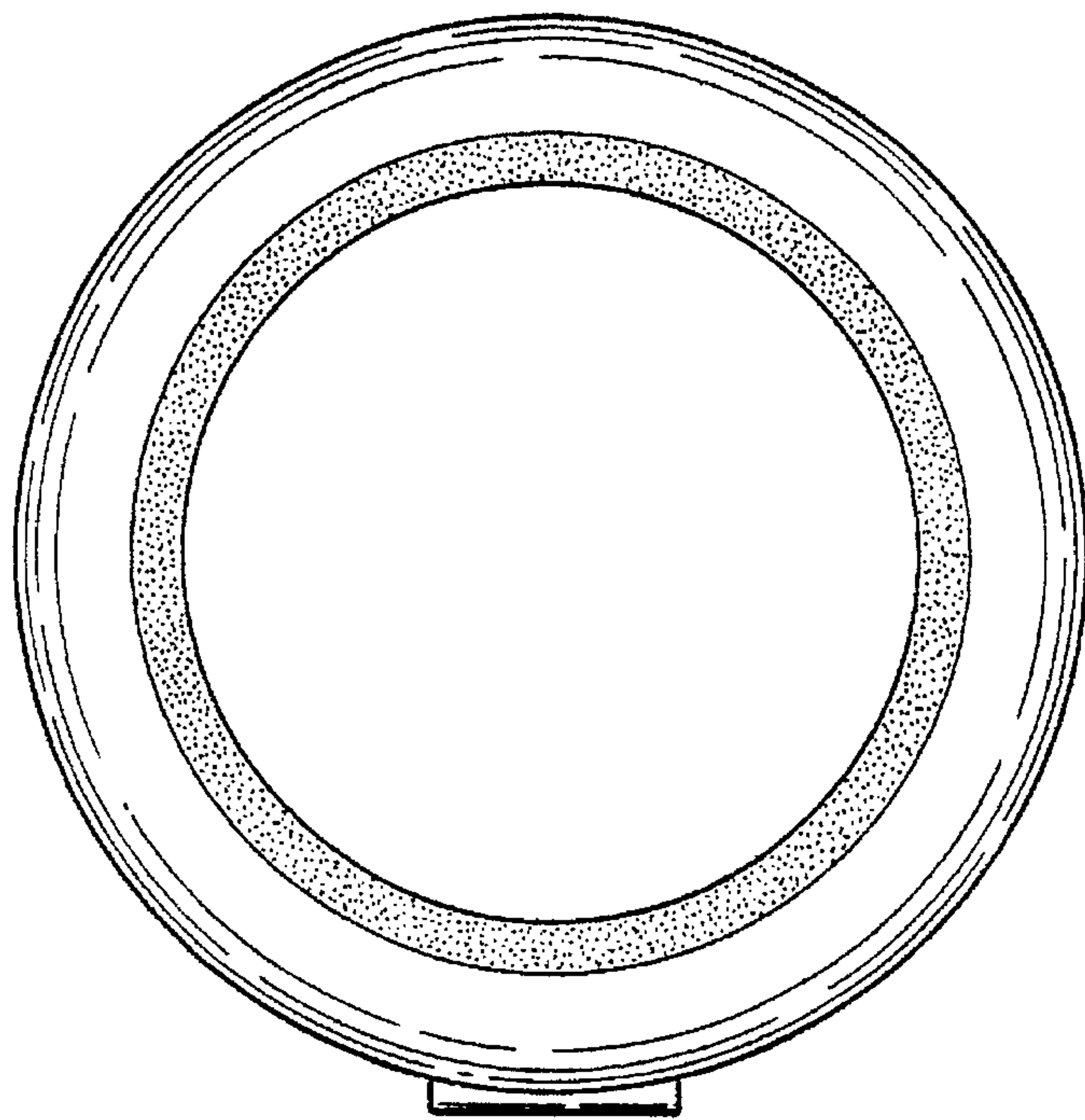


Fig. 2

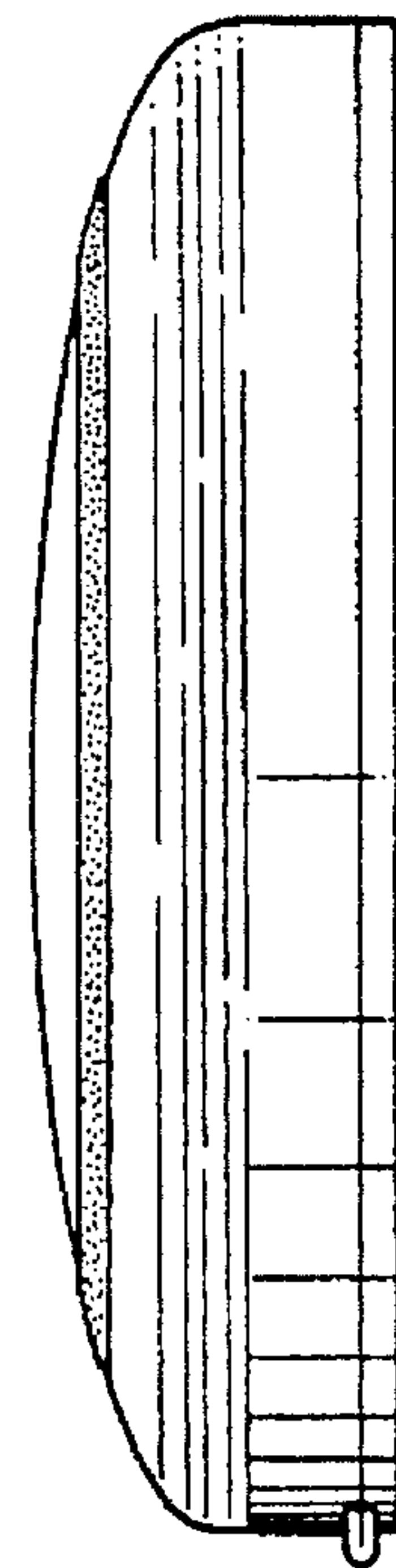


Fig. 4

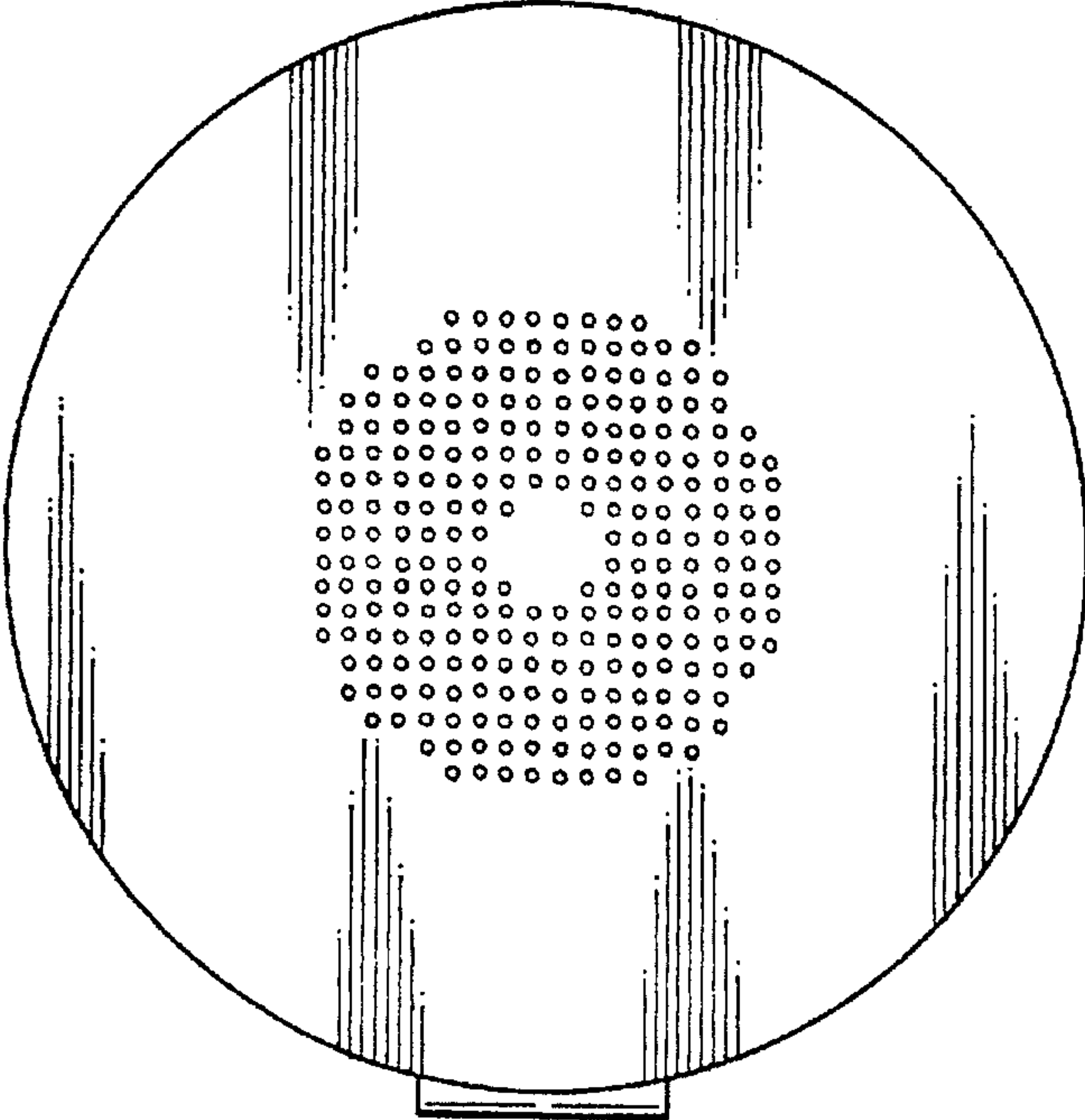
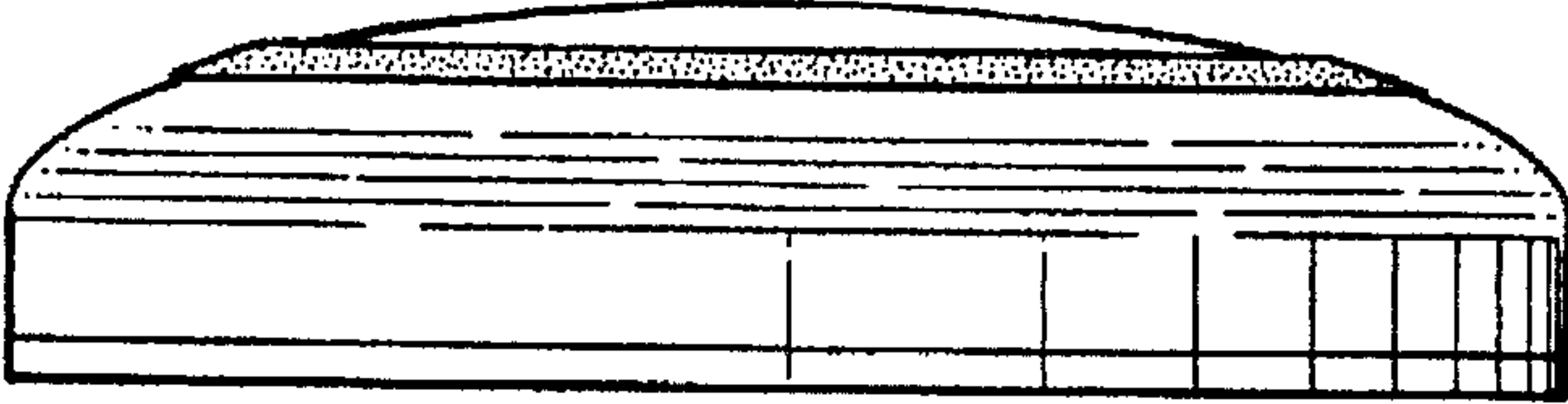


Fig. 5

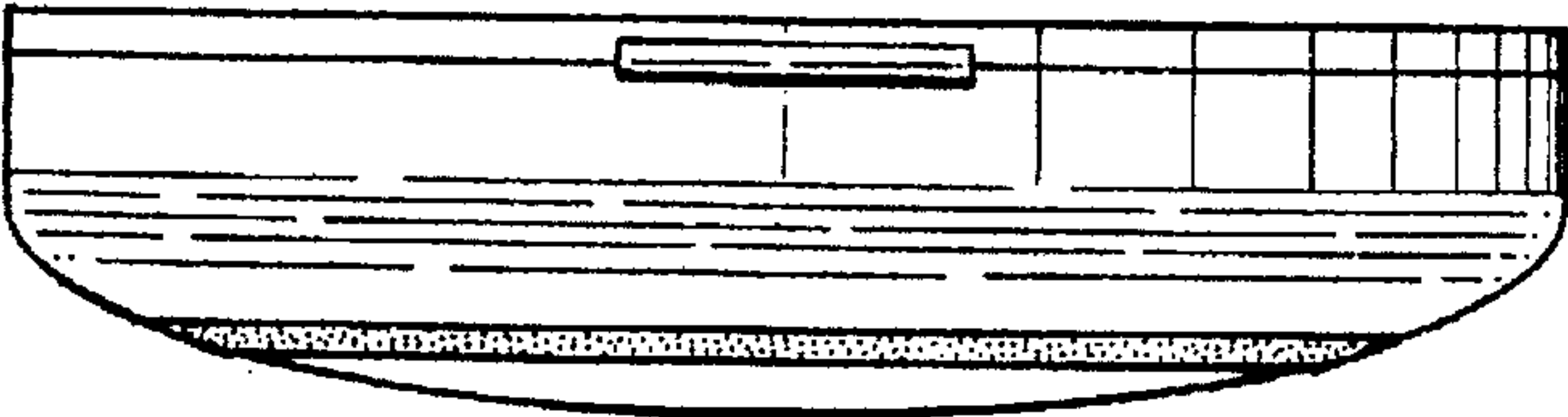


Fig. 6