



US00D382174S

United States Patent [19] Grimm

[11] Patent Number: **Des. 382,174**

[45] Date of Patent: ****Aug. 12, 1997**

[54] **COMBINED CUP AND LID**

[76] Inventor: **Beatus M. Grimm**, 440 Old Mill Rd.,
Erie, Pa. 16505

[**] Term: **14 Years**

[21] Appl. No.: **49,077**

[22] Filed: **Jan. 16, 1996**

[51] LOC (6) Cl. **07-01**

[52] U.S. Cl. **D7/510; D7/511**

[58] Field of Search D7/534, 509, 301,
D7/511, 510, 506, 507, 514, 515, 533,
536, 535, 623, 531, 523, 624, 630, 619,
717, 392.1, 392, 391; 215/235, 293, 393;
220/715, 714, 713, 708, 709, 705, 707,
306, 771; 224/148.6; 222/465.1

[56] **References Cited**

U.S. PATENT DOCUMENTS

30,266	10/1860	Towers .	
D. 113,230	7/1939	Karstadt .	
D. 155,289	9/1949	Hoople	D36/8
D. 194,632	2/1963	Eicholtz	D58/5
D. 197,313	1/1964	Wanderer	D58/17
D. 198,139	5/1964	Edwards	D44/9
D. 203,402	1/1966	Wiinblad	D44/9
D. 212,826	11/1968	Claridge	D44/21

D. 227,133	6/1973	Gulotta	D44/9 A
D. 227,135	6/1973	Davis	D44/9 A
D. 232,797	9/1974	Doolittle	D7/624

(List continued on next page.)

OTHER PUBLICATIONS

Photograph on Sale More Than 1 Year Prior to Applicants
Filing Date (admitted prior art).

Primary Examiner—M. N. Pandozzi

Attorney, Agent, or Firm—Lovercheck and Lovercheck

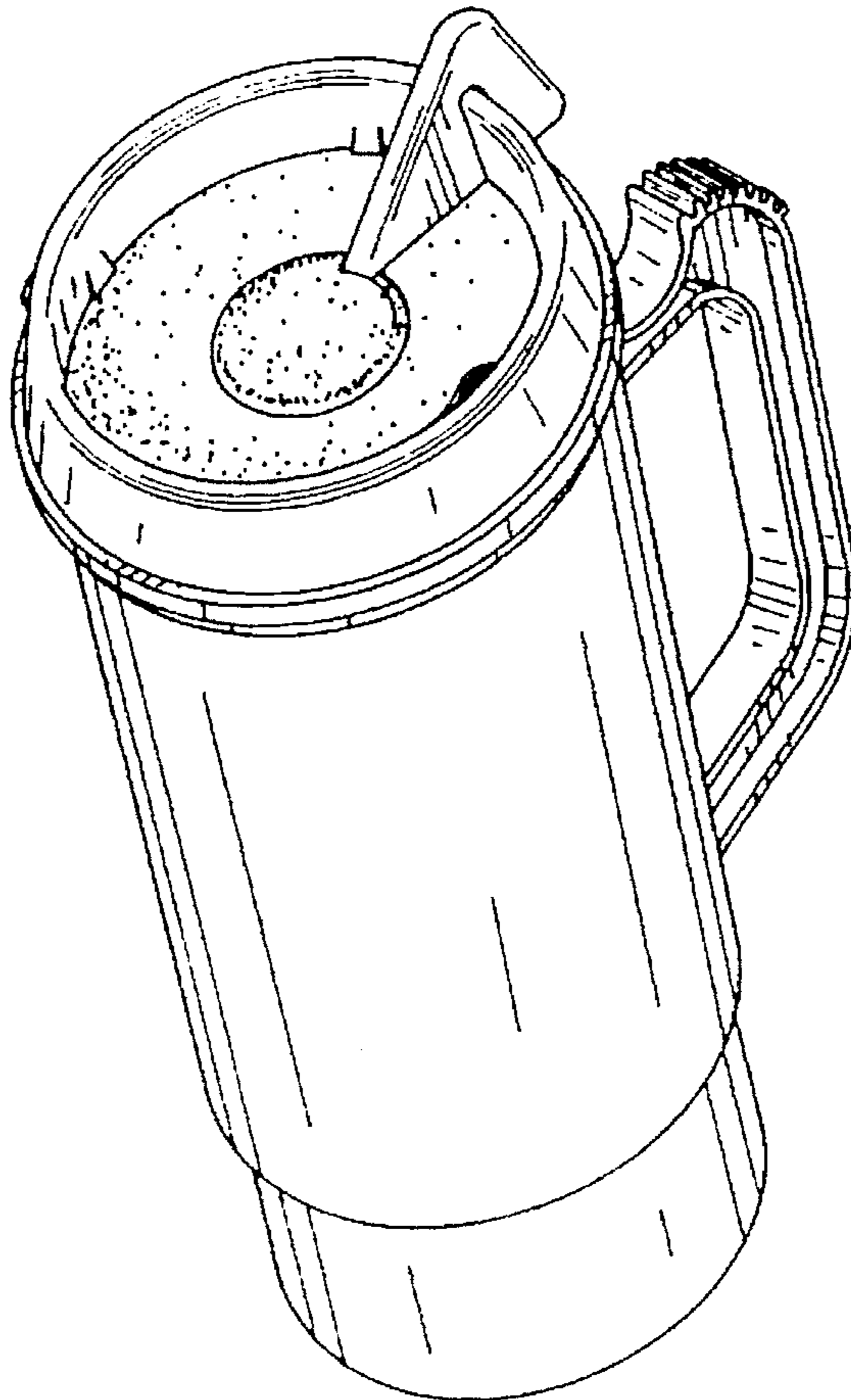
[57] **CLAIM**

The ornamental design for a combined cup and lid, as shown
and described.

DESCRIPTION

FIG. 1 is a top perspective view of a combined cup and lid
with the lid in closed position, showing my new design;
FIG. 2 is a top perspective view of a combined cup and lid
with the lid in open position showing my new design;
FIG. 3 is a right side elevational view of FIG. 1;
FIG. 4 is a left side elevational view of FIG. 1;
FIG. 5 is a rear elevational view of FIG. 1;
FIG. 6 is a front elevational view of FIG. 1;
FIG. 7 is a top plan view thereof; and,
FIG. 8 is a bottom plan view thereof.

1 Claim, 6 Drawing Sheets



U.S. PATENT DOCUMENTS						
D. 243,911	4/1977	Thorud	D7/9	2,970,724	2/1961 Lacy	222/484
D. 247,839	5/1978	Ashton	D7/3	2,974,815	3/1961 Driscoll	215/38
D. 255,858	7/1980	Ashton	D7/536	3,057,167	11/1962 Lee	220/90.4
D. 258,483	3/1981	Weinstein	D7/6	3,160,309	12/1964 Rivas	220/27
D. 263,932	4/1982	Daenen et al.	D9/434	3,317,093	5/1967 Moran	222/484
D. 273,093	3/1984	Lunden et al.	D9/389	3,357,605	12/1967 Chadfield	222/485
D. 274,695	7/1984	Kennedy	D9/349	3,394,928	7/1983 Philip	220/366
D. 283,477	4/1986	Durand	D7/14	3,486,665	12/1969 La Croce	222/480
D. 286,725	11/1986	Zieff	D7/14	3,739,938	6/1973 Paz	220/90.4
D. 293,293	12/1987	Isles	D7/70	3,877,614	4/1975 Murphy	220/209
D. 298,901	12/1988	Shadyac	D7/9	4,040,549	8/1977 Sadler	D7/507 X
D. 314,514	2/1991	Ten Eyck et al.	D9/447	4,164,301	8/1979 Thayer	220/253
D. 321,455	11/1991	Duquaine, Jr. et al.	D7/371	4,171,060	10/1979 Howard et al.	220/254
D. 331,684	12/1992	Trombley	D7/536	4,190,173	2/1980 Mason et al.	220/203
D. 333,067	2/1993	Feltman, III	D7/536	4,276,992	7/1981 Susich	220/254
D. 334,869	4/1993	Mills	D7/605	4,303,173	12/1981 Nergard	220/715 X
D. 339,029	9/1993	Schaepi	D7/536	4,548,331	10/1985 Montgomery	220/253
D. 343,991	2/1994	Schaepi	D7/536	4,555,034	11/1985 Gerhards	215/235 X
D. 346,933	5/1994	Denny et al.	D7/536	4,653,672	3/1987 Tuerk et al.	222/153
D. 351,314	10/1994	Sokolski et al.	D7/536	4,869,390	9/1989 Kennedy	220/90.4
D. 354,418	1/1995	Martin	D7/536	4,880,136	11/1989 Englert	220/253
D. 355,846	2/1995	Denney et al.	D9/449	5,082,134	1/1992 Ramsey	220/711
D. 362,368	9/1995	Willbrandt	D7/531	5,143,248	9/1992 Sawatsky	220/711
D. 365,247	12/1995	Sokolski et al.	D7/511	5,169,016	12/1992 Hinz, Jr.	220/254
D. 366,810	2/1996	Yeh	D7/533 X	5,186,353	2/1993 Ramsey	220/711
1,331,372	2/1920	Popper .		5,312,014	5/1994 Hamlin	220/703
2,381,207	8/1945	Coleman	215/98	5,344,040	9/1994 Schaepi	220/771 X

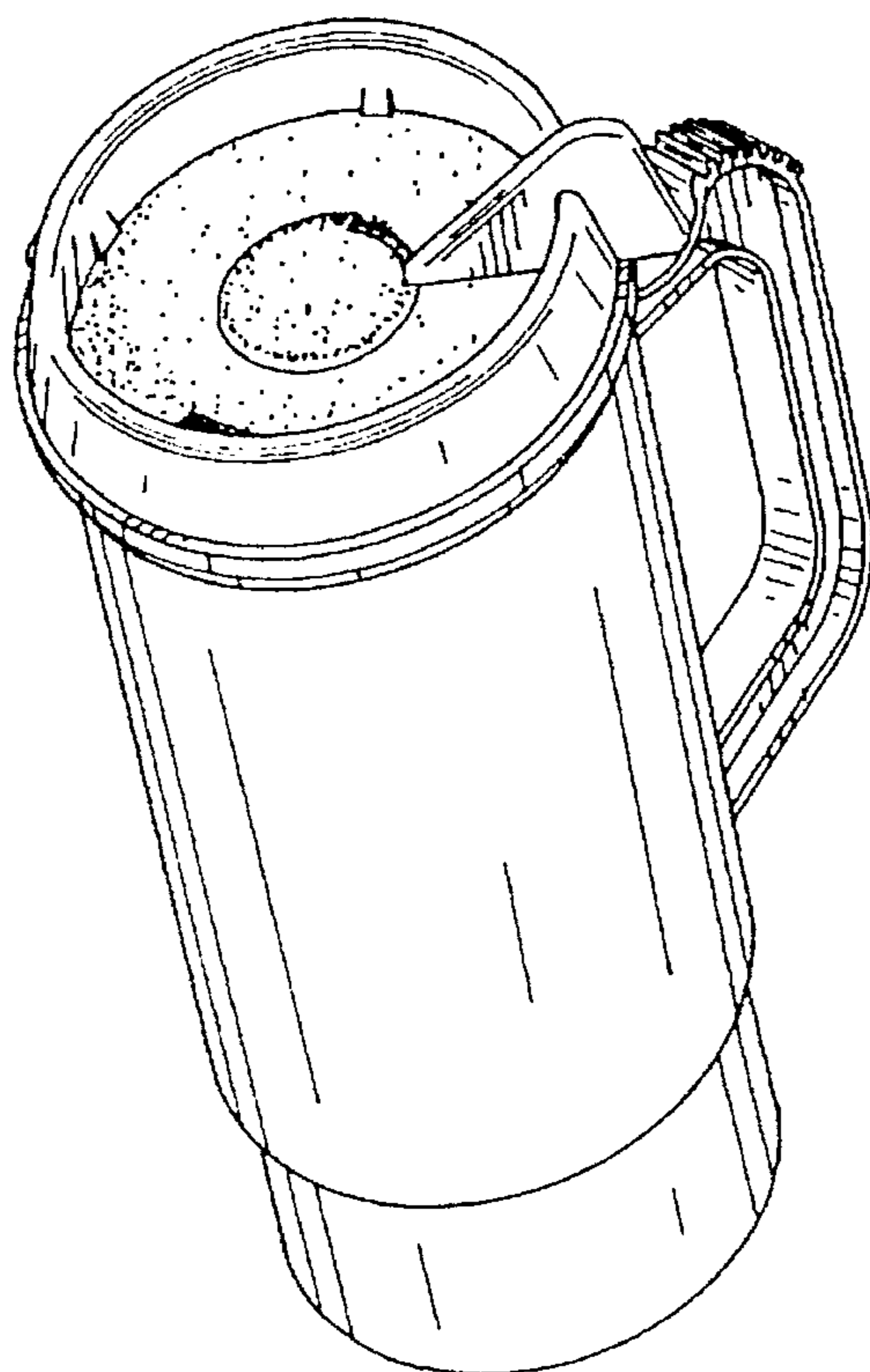


FIG. 1

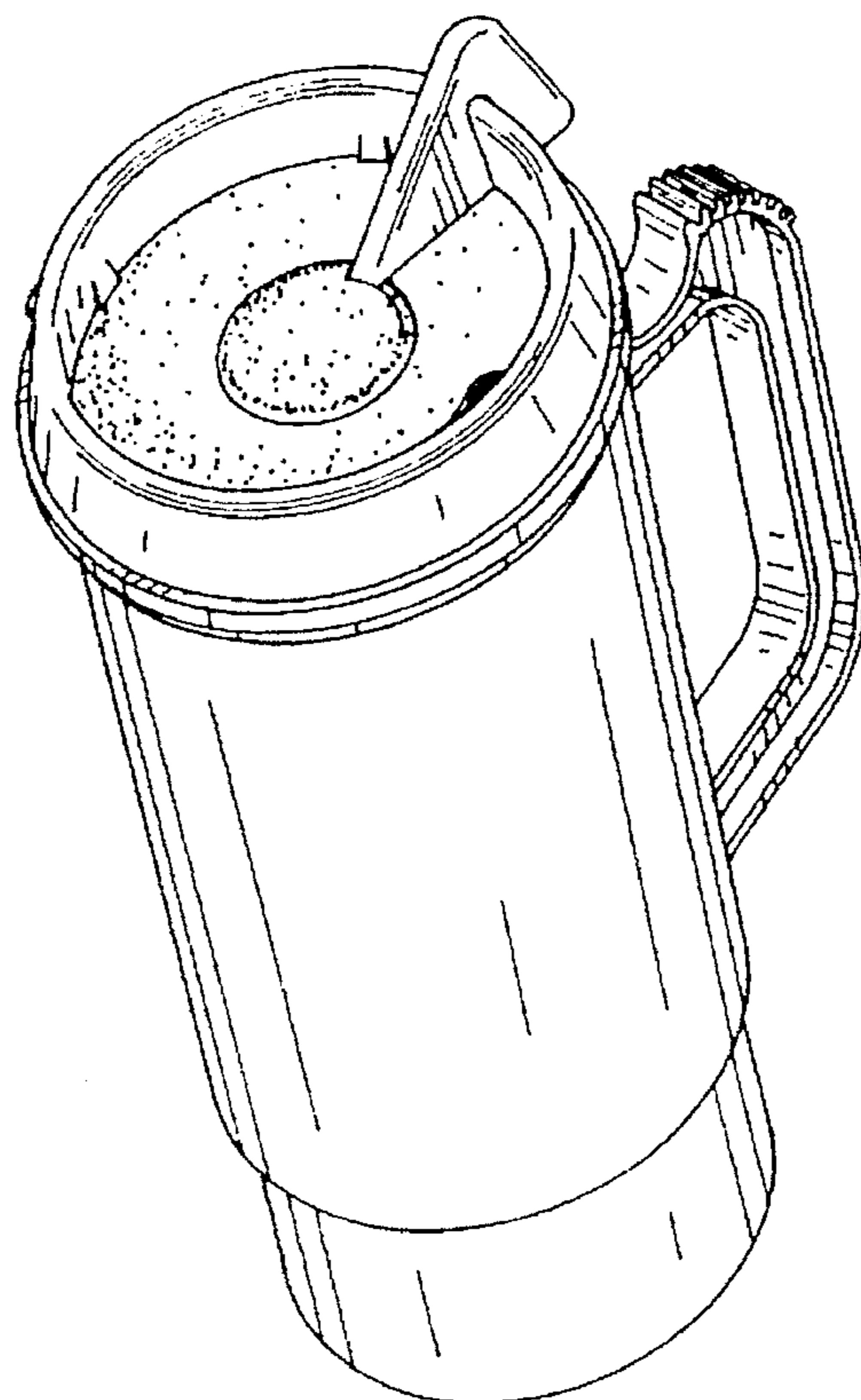


FIG. 2

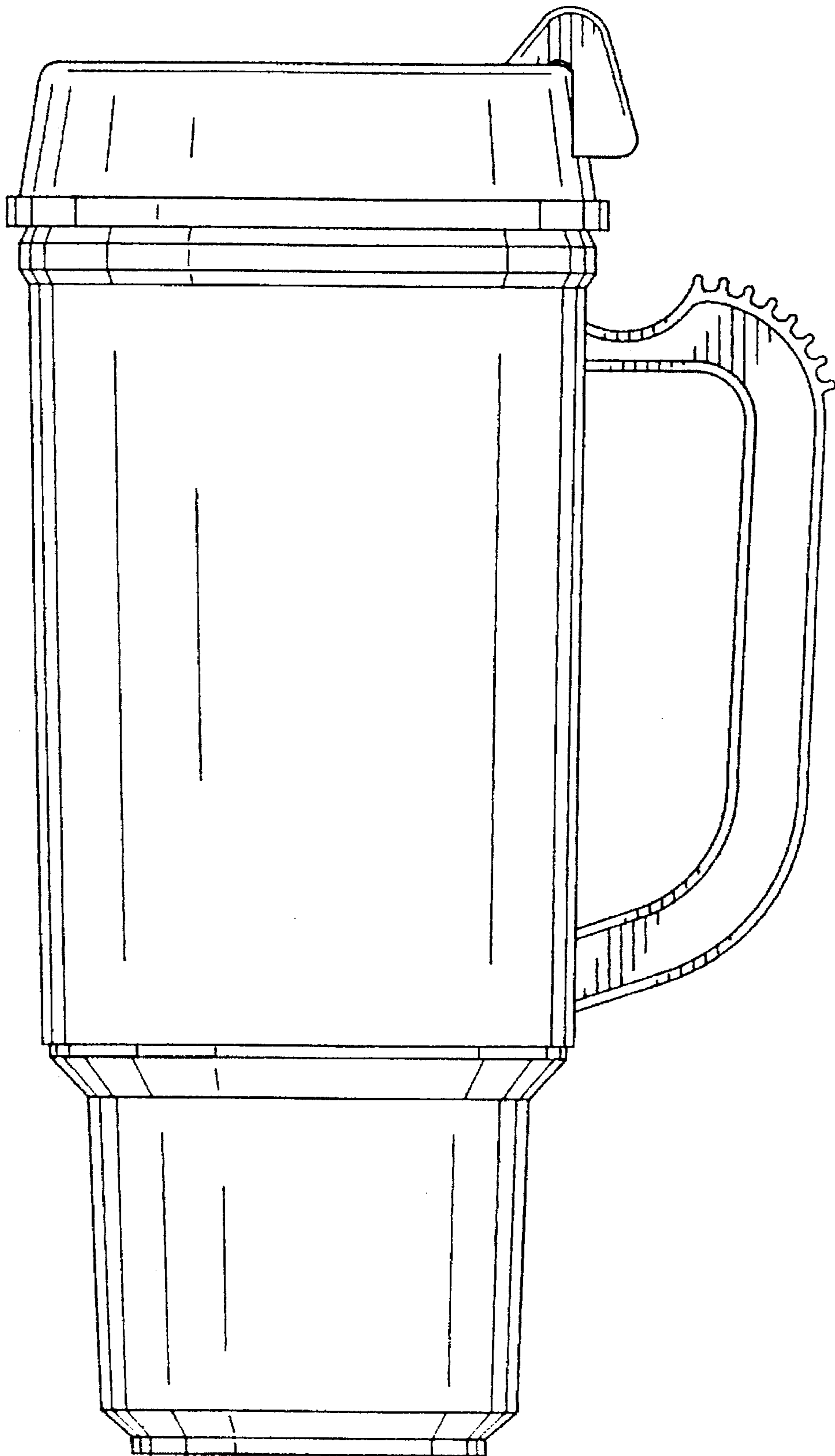


FIG. 3

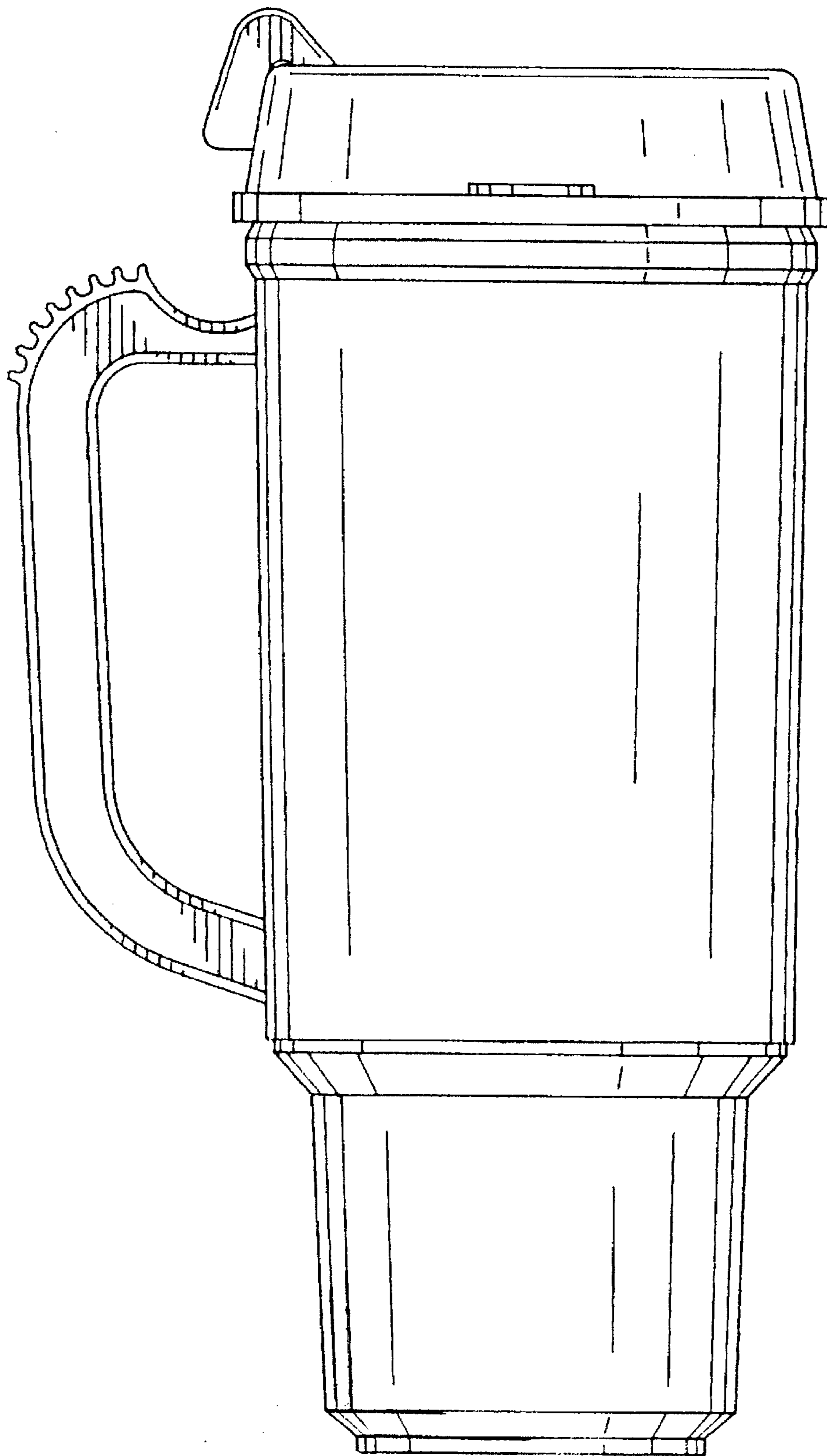


FIG. 4

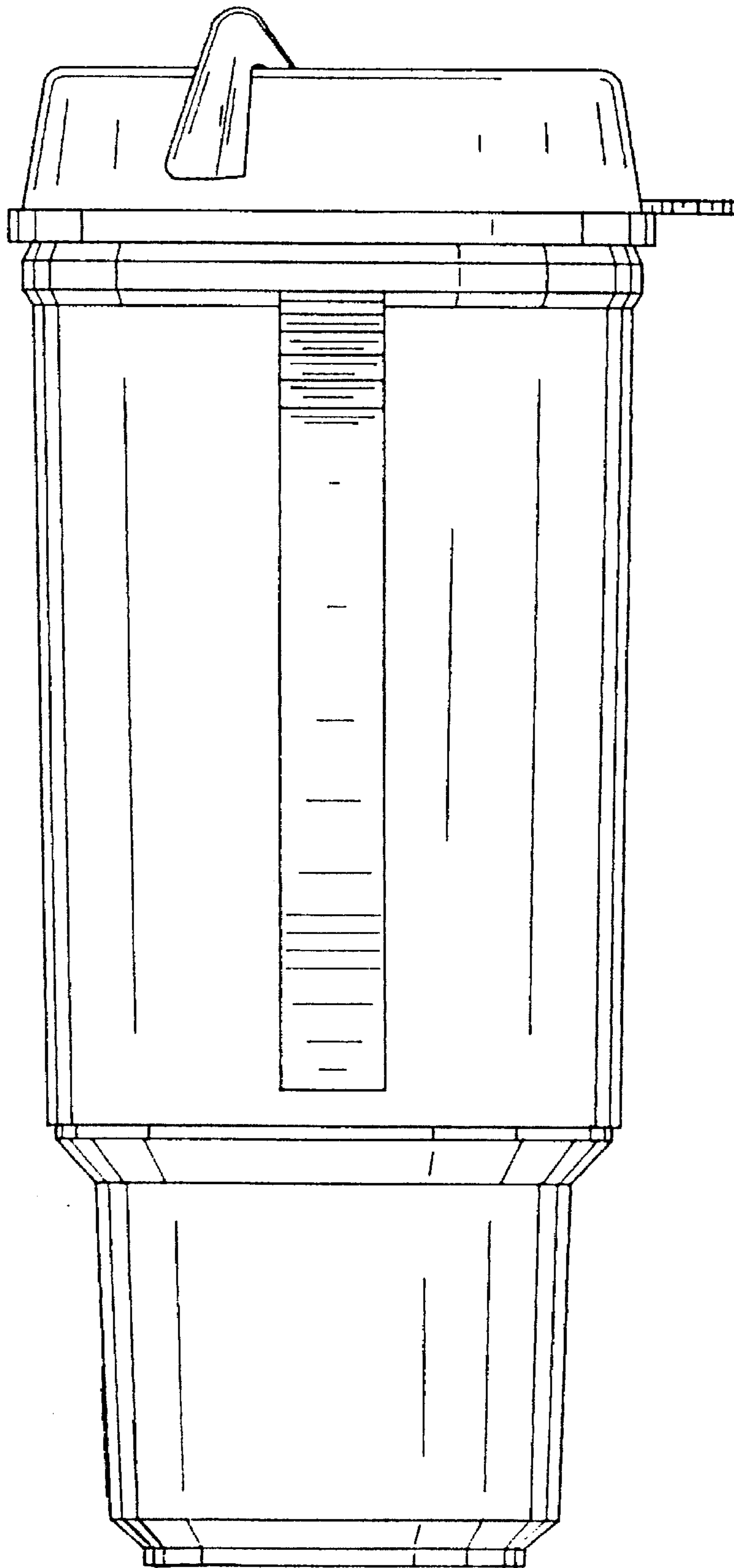


FIG. 5

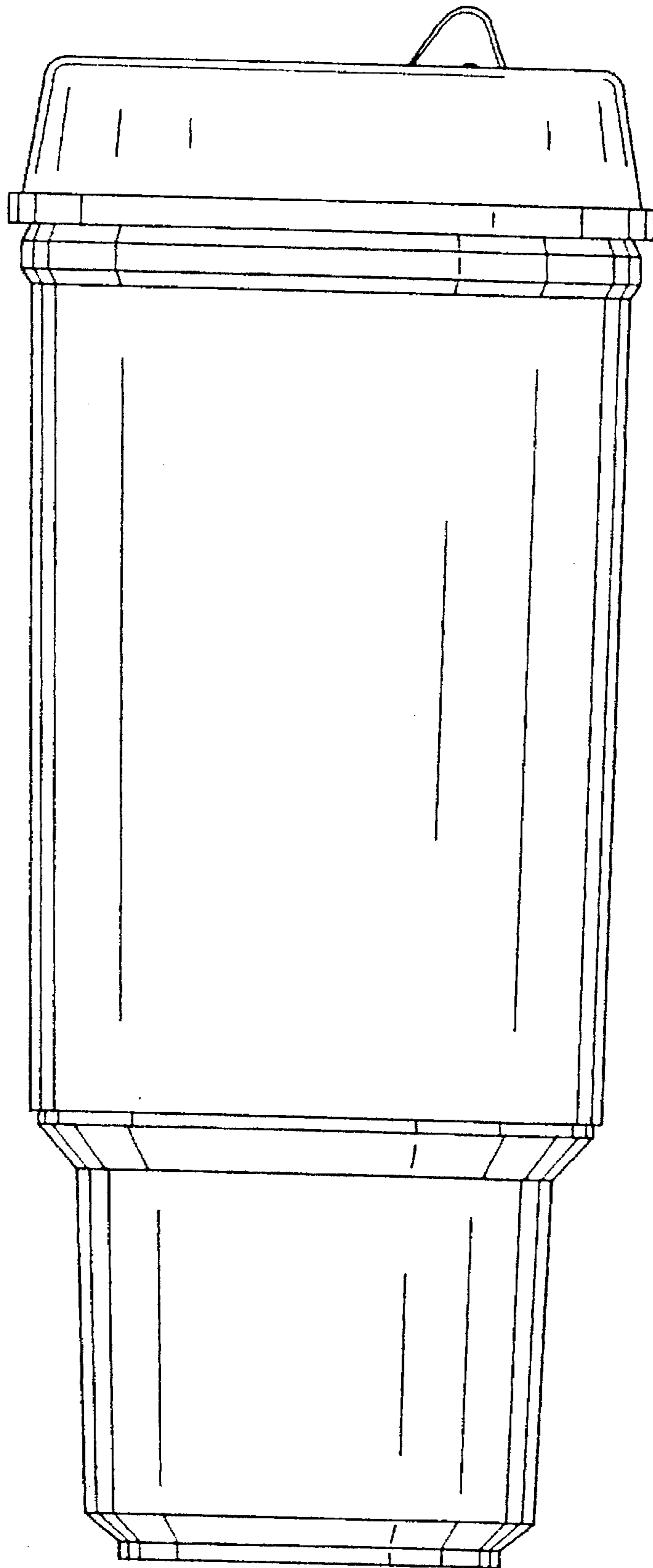


FIG. 6

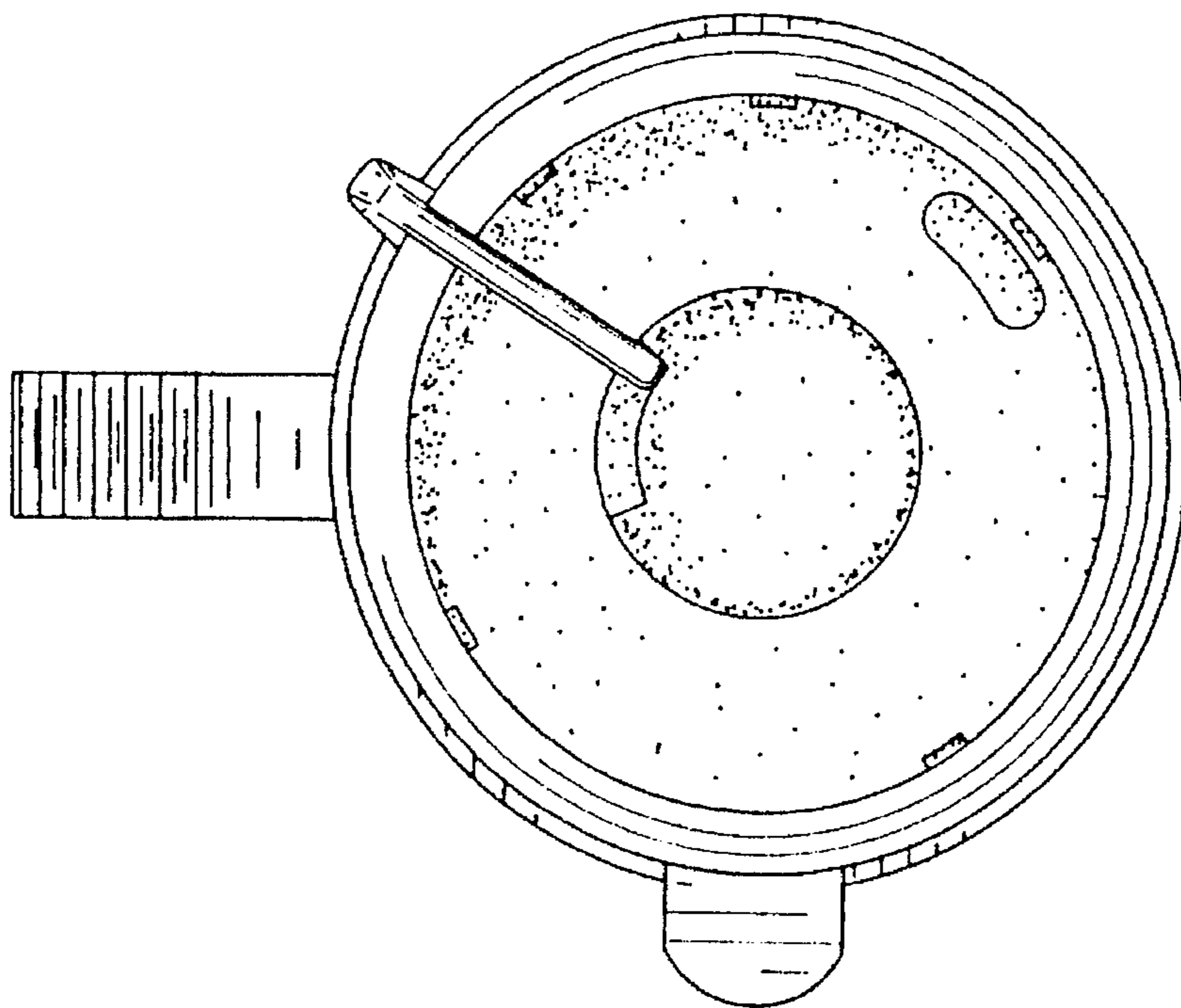


FIG. 7

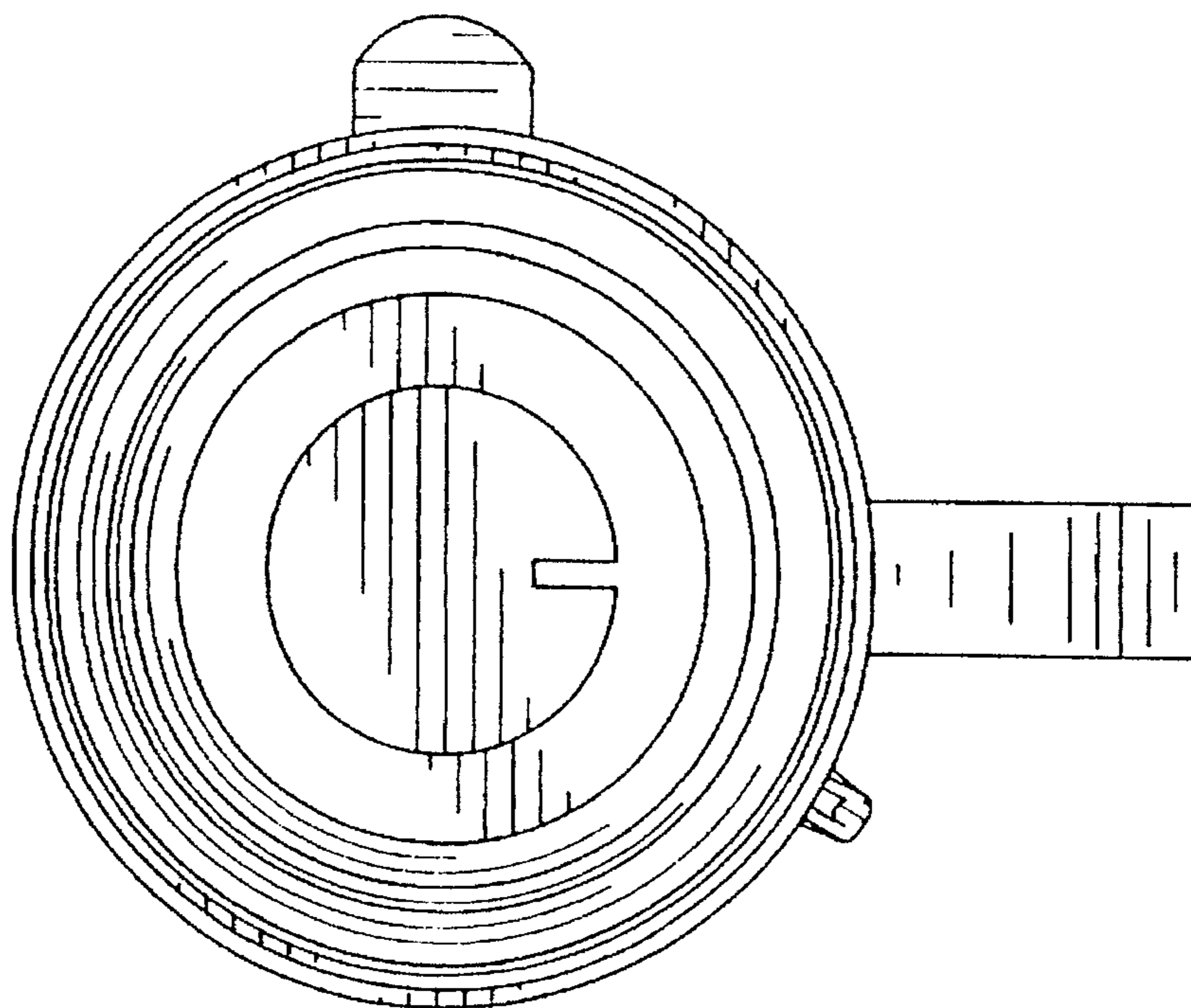


FIG. 8