



US00D382171S

# United States Patent [19]

Ancona et al.

[11] Patent Number: Des. 382,171

[45] Date of Patent: \*\*Aug. 12, 1997

[54] **HANDLE FOR KITCHEN UTENSIL**

[75] Inventors: **Bruce Ancona; Louis Henry**, both of New York, N.Y.

[73] Assignee: **B. Via International Housewares, Inc.**, Englewood Cliffs, N.J.

[\*\*] Term: **14 Years**

[21] Appl. No.: **48,673**

[22] Filed: **Jan. 11, 1996**

[51] LOC (6) Cl. .... **07-02**

[52] U.S. Cl. .... **D7/401.2; D7/691; D10/46.2**

[58] Field of Search ..... **D7/395, 401.2, D7/683-696; D10/46.2, 46.3; 30/322-328; 73/426-429; 16/110 R, 114 R, 116 R**

[56] **References Cited**

**U.S. PATENT DOCUMENTS**

- D. 269,240 6/1983 Kelson ..... D10/46.2
- D. 302,089 7/1989 Ancona et al. .... D10/46.2

*Primary Examiner*—Terry A. Wallace  
*Attorney, Agent, or Firm*—Wolf, Greenfield & Sacks, P.C.

[57] **CLAIM**

The ornamental design for a handle for kitchen utensil, as shown and described.

**DESCRIPTION**

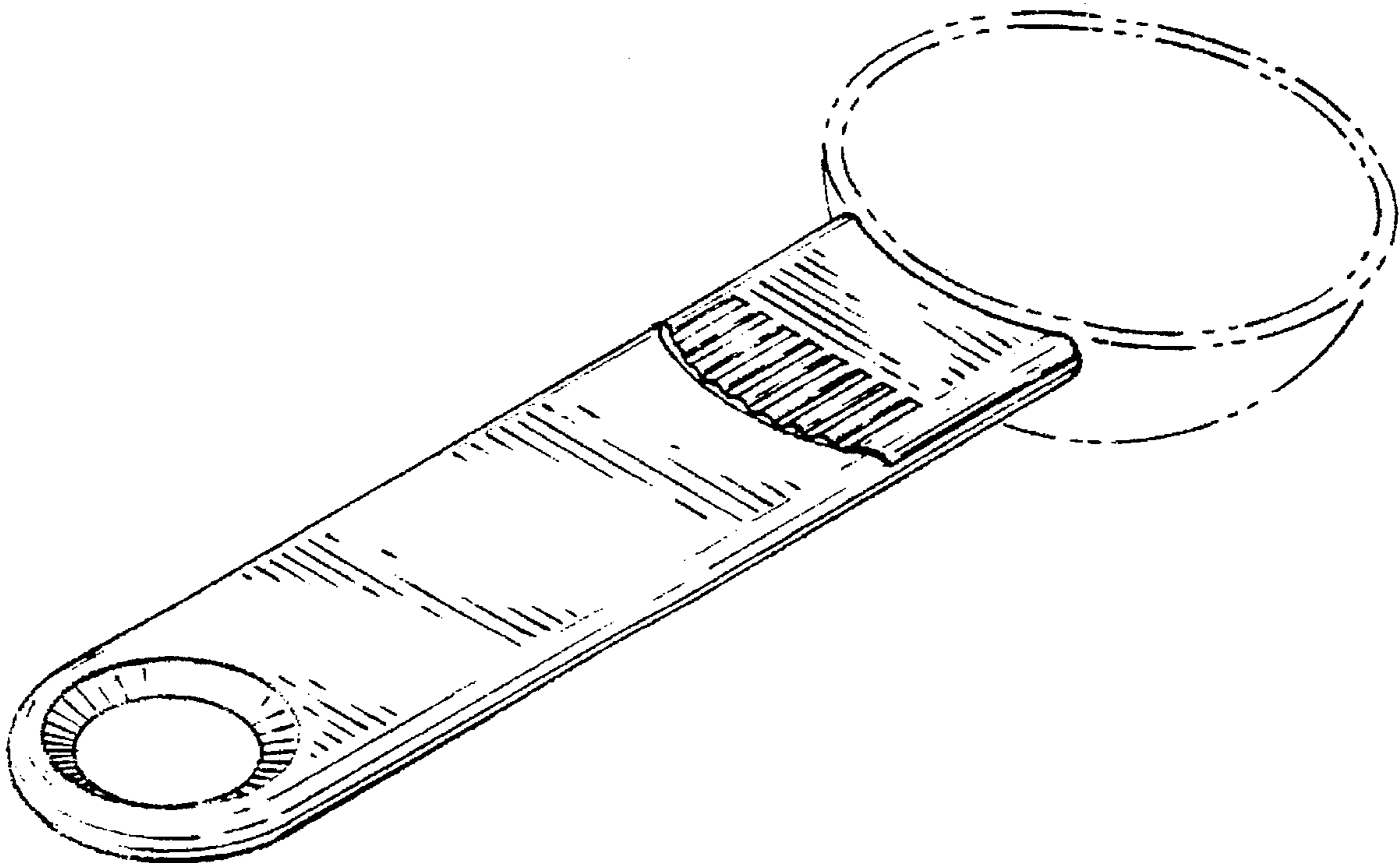
FIG. 1 is a perspective view of the handle for kitchen utensil according to our new design. The broken line showing of a head of a spoon is for illustrative purposes and forms no part of the claimed design;

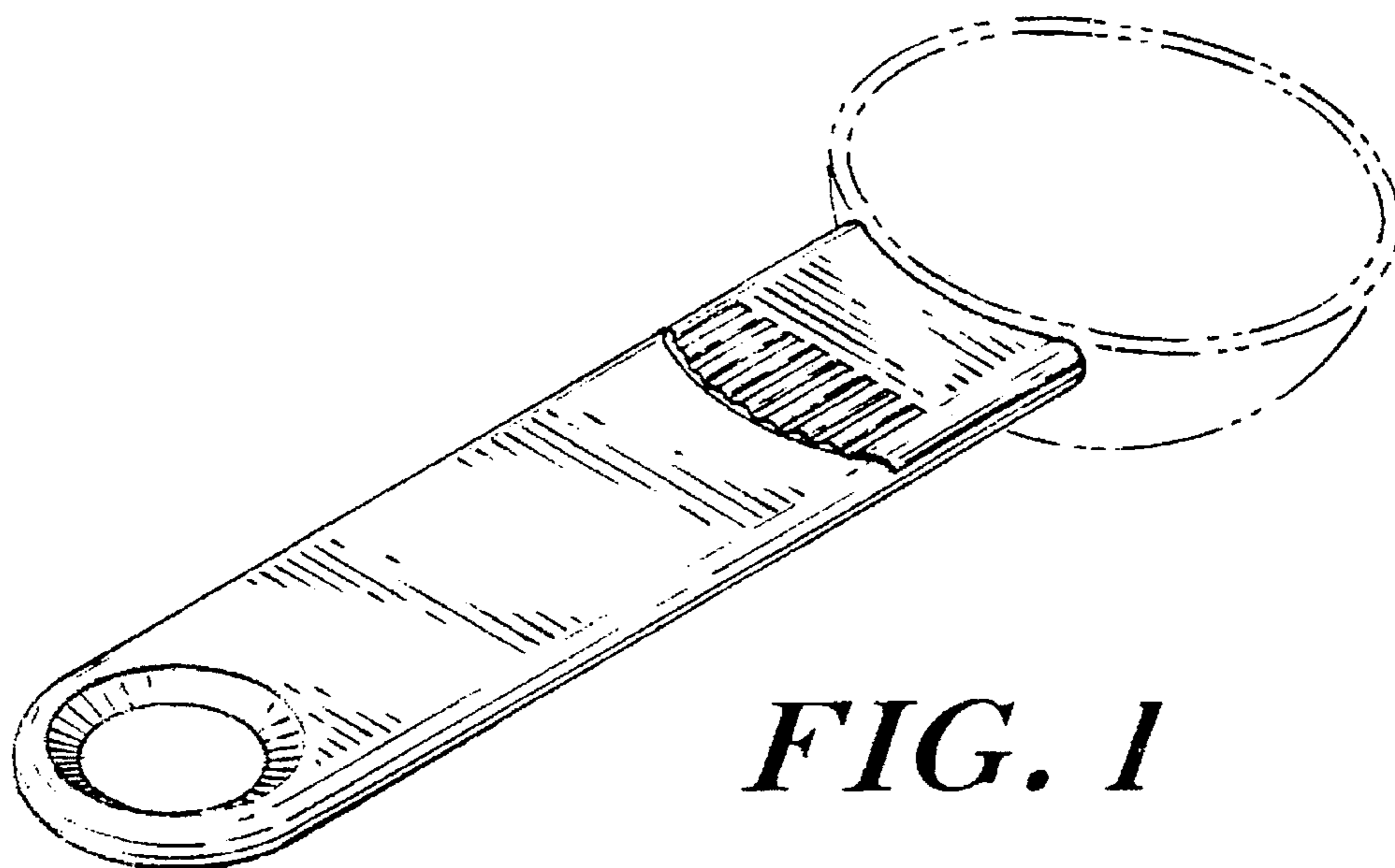
FIG. 2 is a top plan view of the handle for kitchen utensil according to our new design;

FIG. 3 is a side elevational view as seen from the right side of FIG. 1, the left side elevational view being a mirror image thereof; and,

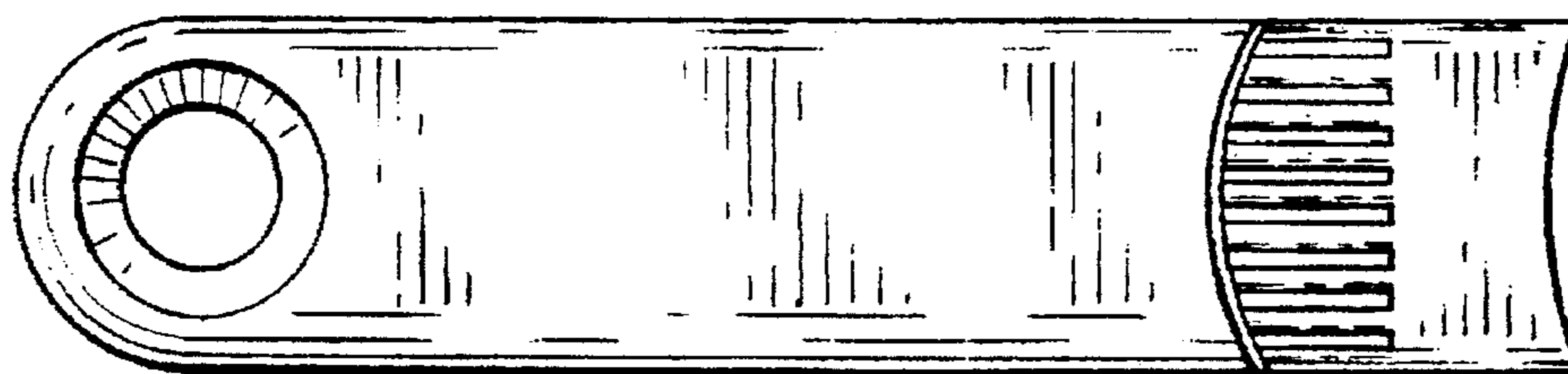
FIG. 4 is a bottom plan view thereof.

**1 Claim, 1 Drawing Sheet**

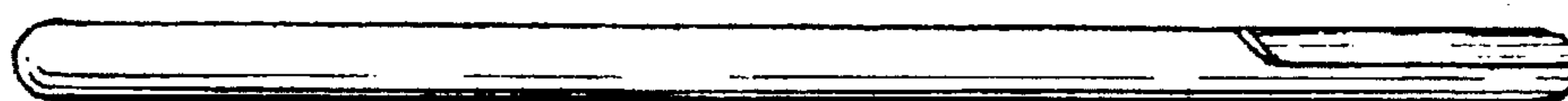




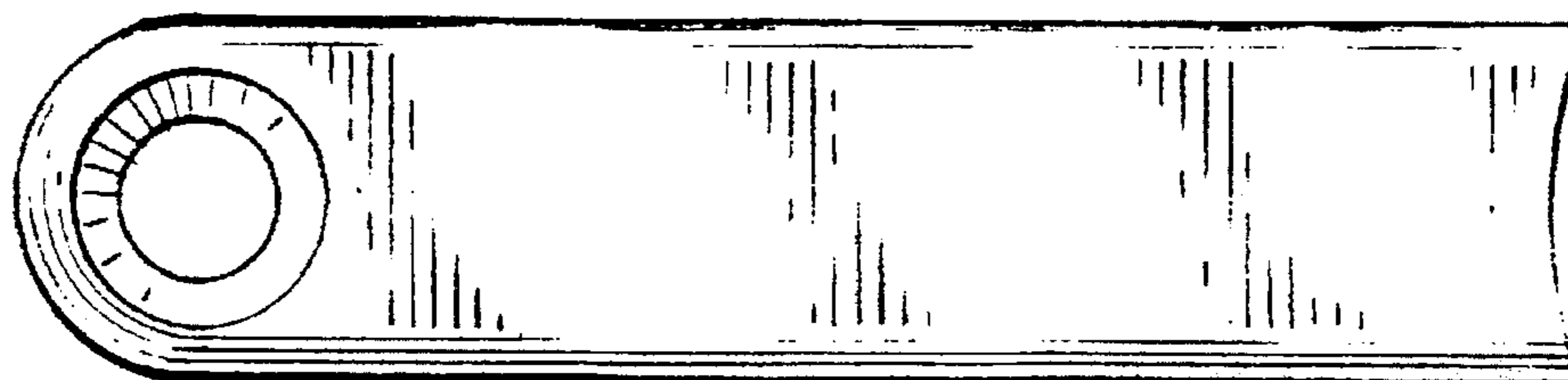
*FIG. 1*



*FIG. 2*



*FIG. 3*



*FIG. 4*