



US00D382165S

United States Patent [19]
Ruiz

[11] **Patent Number: Des. 382,165**
[45] **Date of Patent: **Aug. 12, 1997**

[54] **ARMREST COVER**

3,074,762 1/1963 Kris 297/411.46
3,523,710 8/1970 Barecki et al. 428/81

[76] **Inventor: Jose Juan Ruiz, 1924 W. Vermont,
Phoenix, Ariz. 85015**

Primary Examiner—A. Hugo Word
Assistant Examiner—Robin V. Taylor
Attorney, Agent, or Firm—Meschkow & Gresham, P.L.C.

[**] **Term: 14 Years**

[21] **Appl. No.: 44,399**

[57] **CLAIM**

[22] **Filed: Sep. 21, 1995**

The ornamental design for a armrest cover, as shown and described.

[51] **LOC (6) Cl. 06-13**

[52] **U.S. Cl. D6/610**

[58] **Field of Search** D6/610-616, 501;
D25/119, 120-125; 297/411.2, 411.26,
411.46; 428/81, 83; 52/716.1

DESCRIPTION

FIG. 1 is a front perspective view of a armrest cover, showing my new design therefor;

FIG. 2 is a top plan view of my new design for a armrest cover;

FIG. 3 is a front view thereof, the rear view being a mirror image;

FIG. 4 is a left side view thereof, the right side view being a mirror image; and,

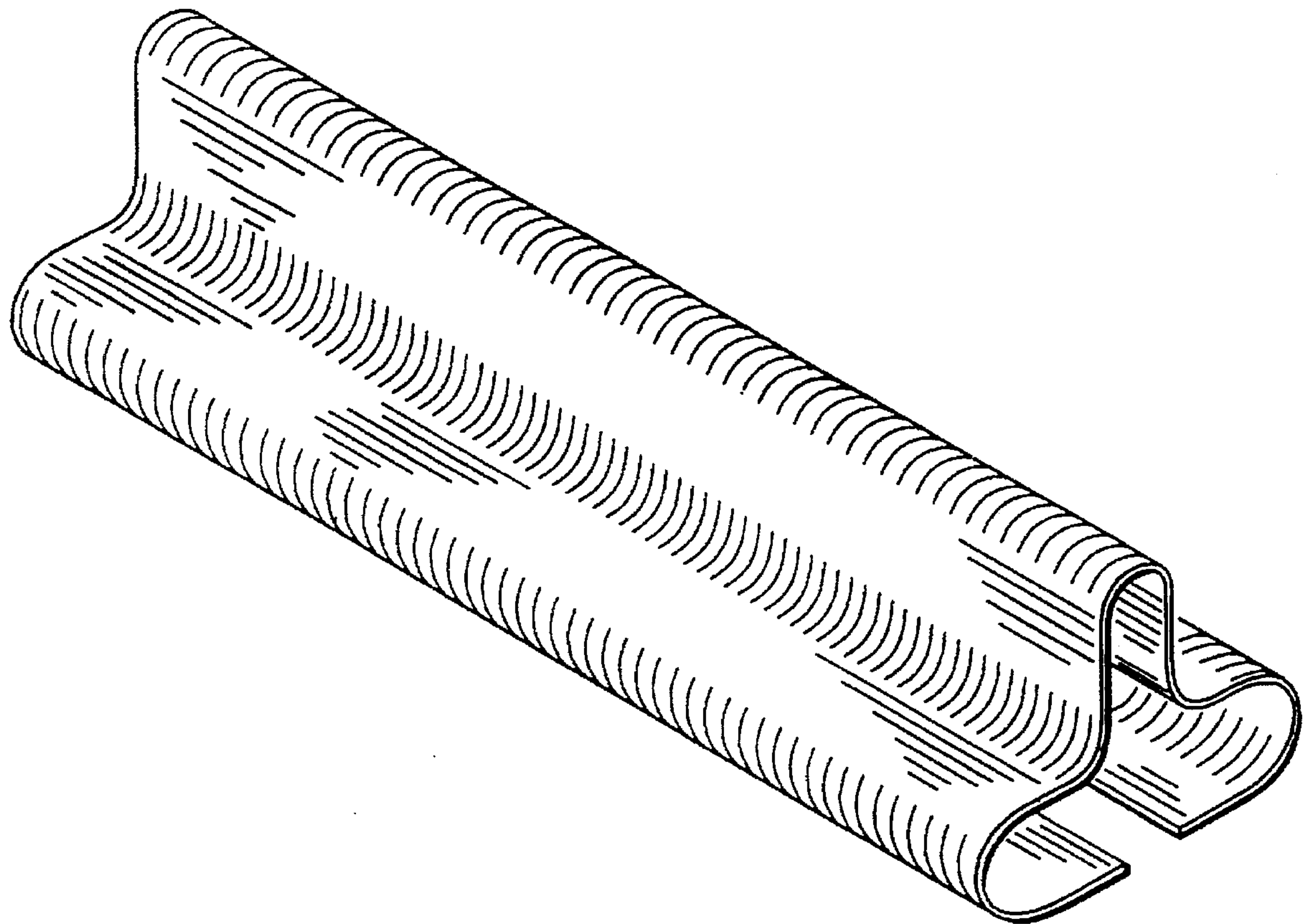
FIG. 5 is a bottom view thereof.

[56] **References Cited**

U.S. PATENT DOCUMENTS

- D. 175,837 10/1955 Jeckell D6/610
- D. 178,372 7/1956 Jeckell D6/610
- D. 288,158 2/1987 Dunnington D6/501
- 2,119,586 6/1938 Kotrbaty D25/121
- 2,891,604 6/1959 Soucie 297/411.26

1 Claim, 2 Drawing Sheets



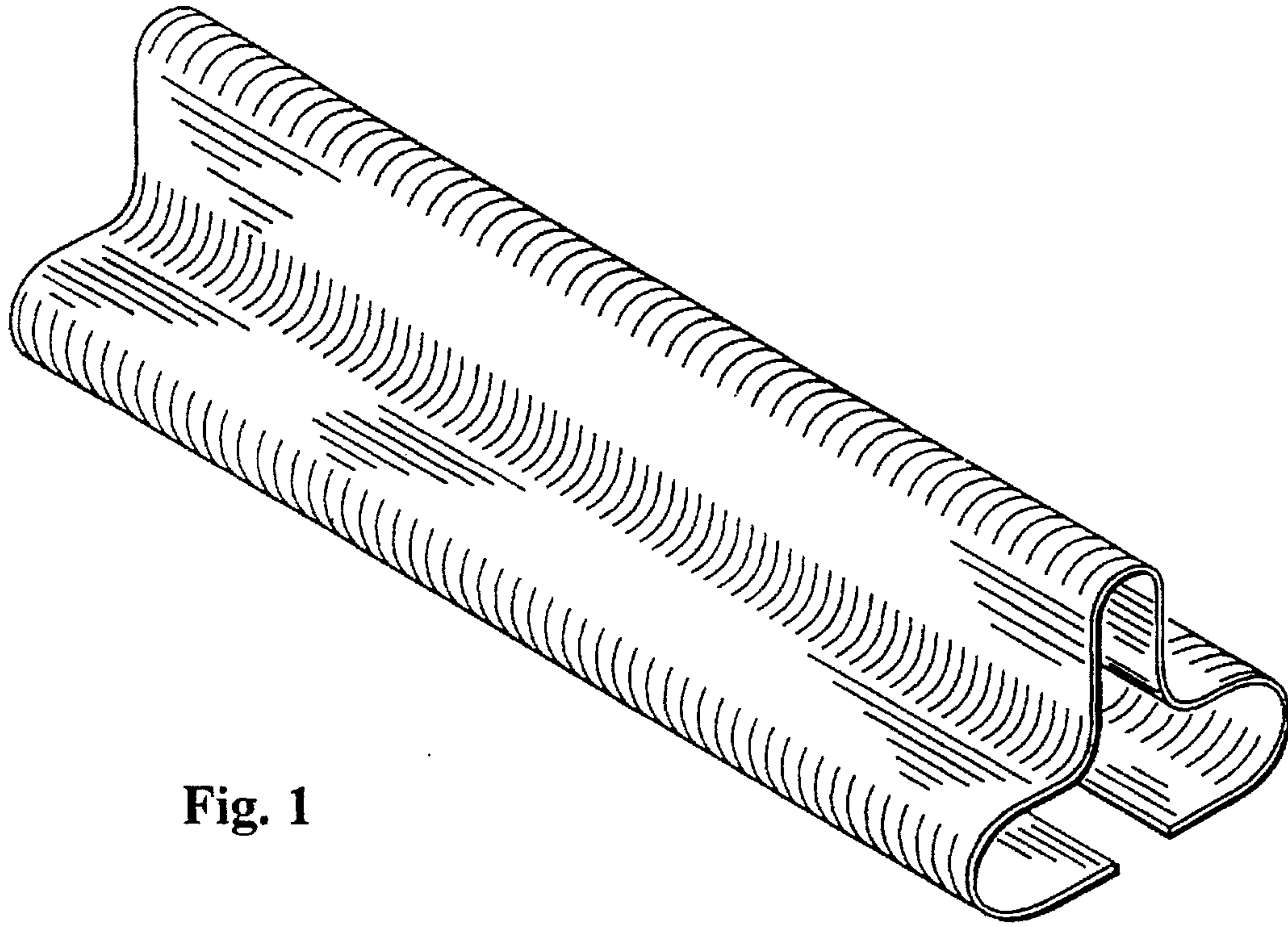


Fig. 1

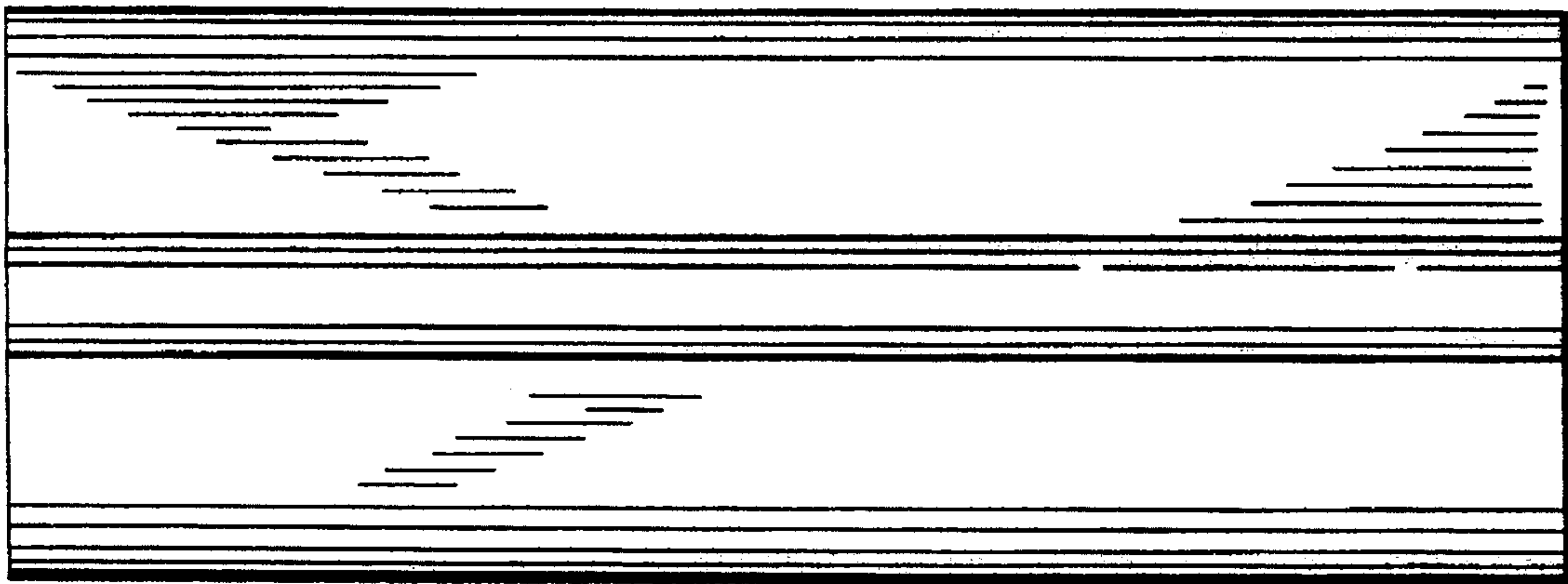


Fig. 2

Fig. 3

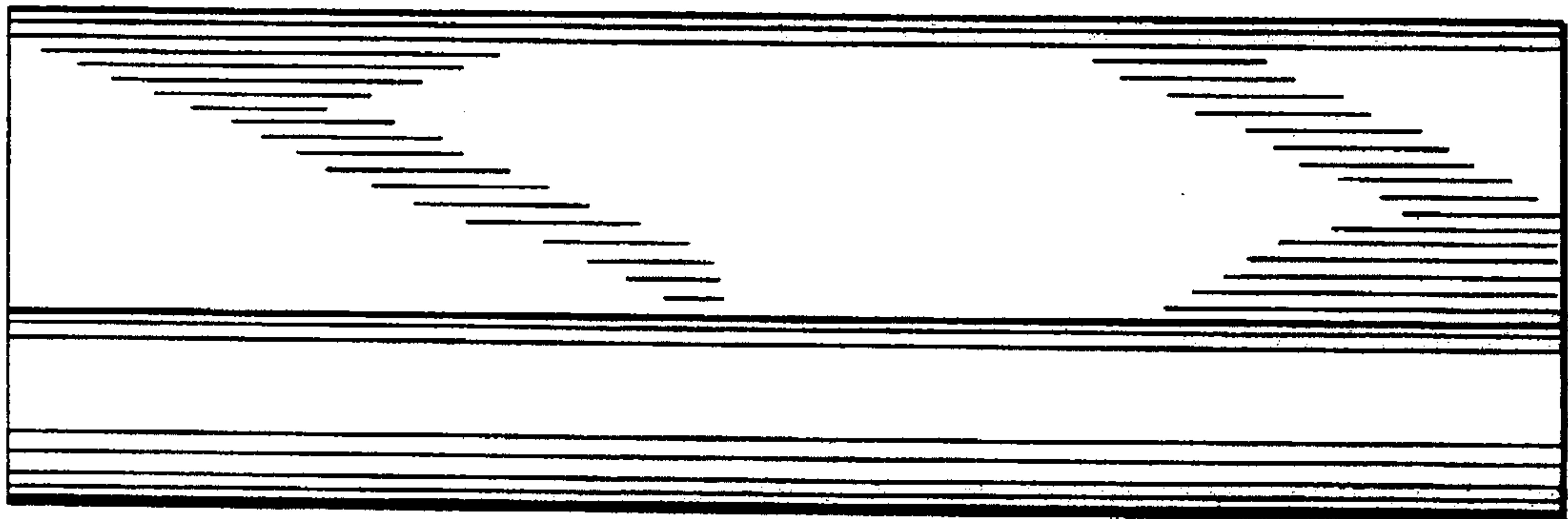
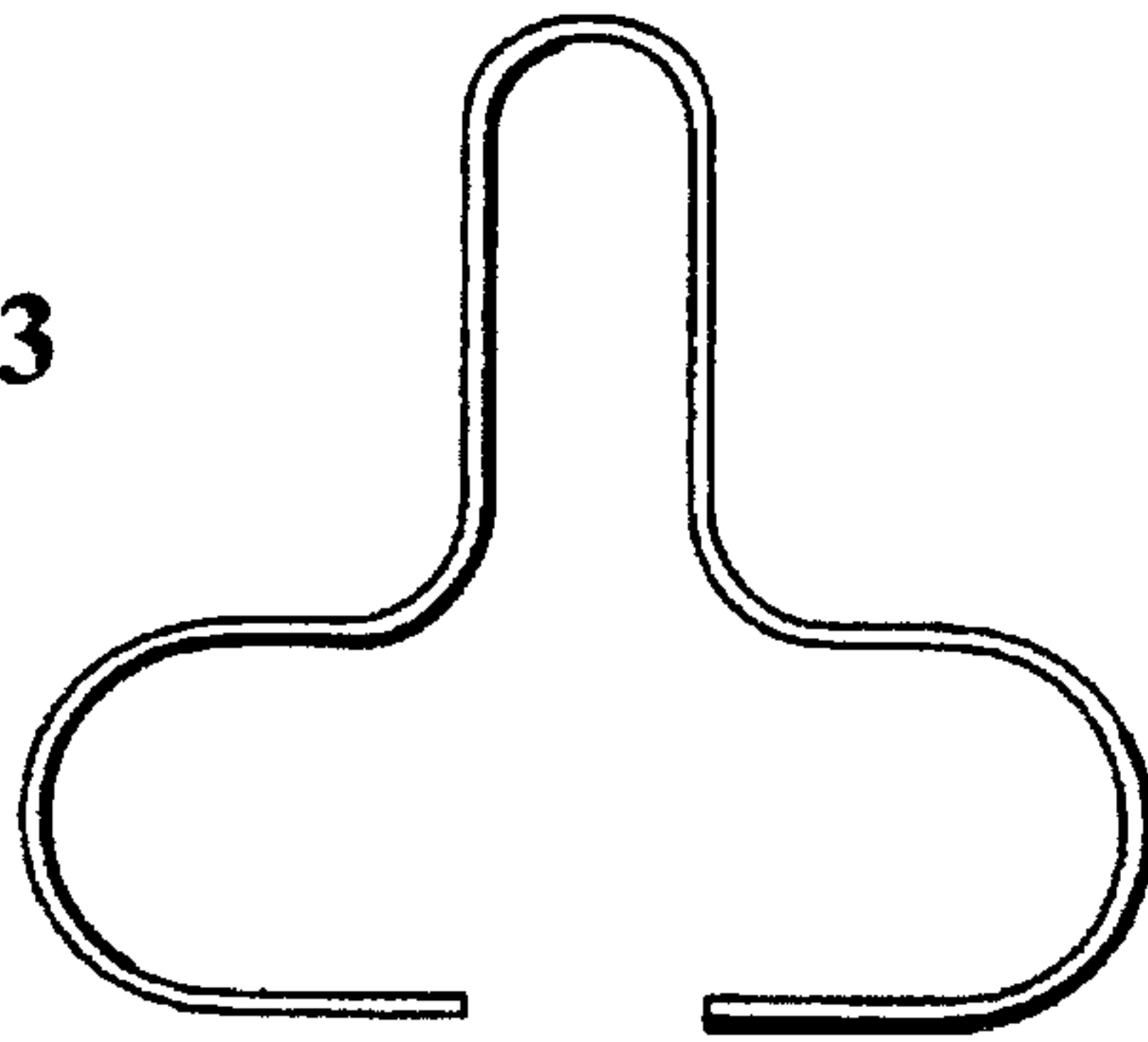


Fig. 4

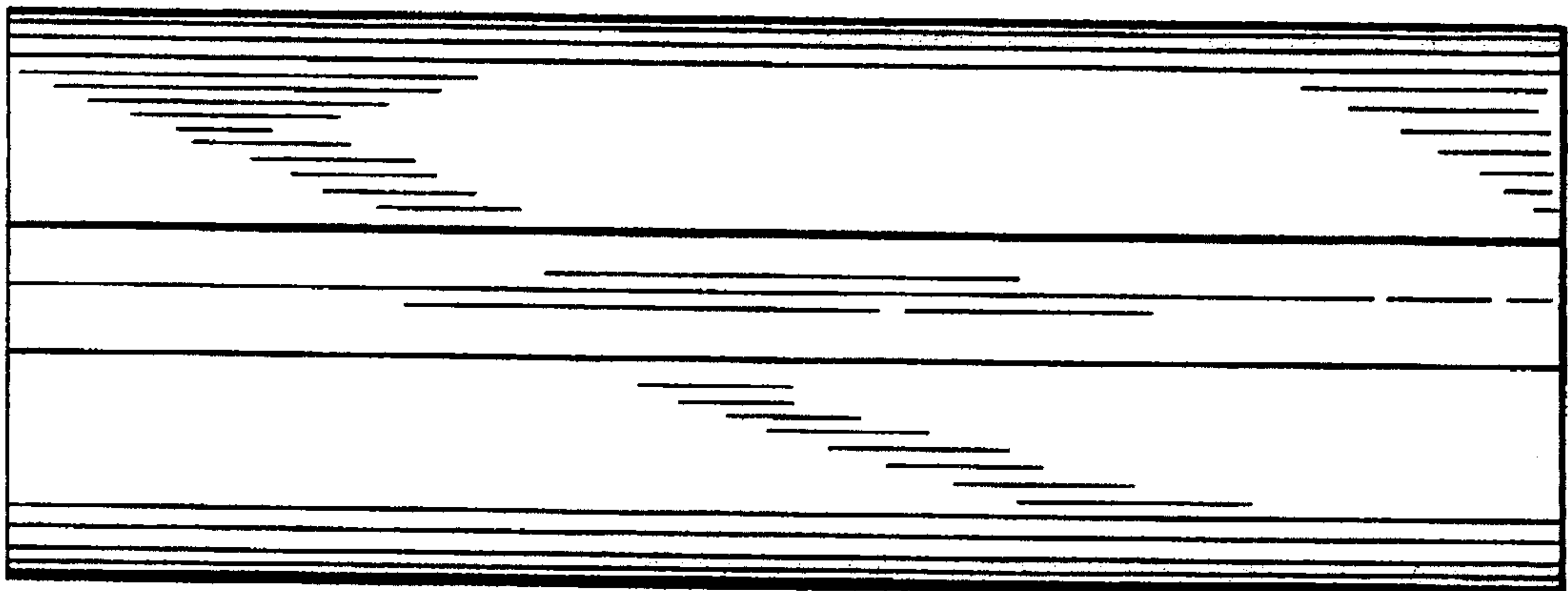


Fig. 5