



US00D382159S

# United States Patent [19]

Keogh et al.

[11] Patent Number: **Des. 382,159**

[45] Date of Patent: **\*\*Aug. 12, 1997**

[54] **COMBINATION SINGLE UNIT DISPLAY AND BASKET**

[75] Inventors: **Edward J. Keogh, Crystal Lake, Ill.; Roberto Lopez, Miami, Fla.**

[73] Assignee: **the Wm. Wrigley Jr. Company, Chicago, Ill.**

[\*\*] Term: **14 Years**

[21] Appl. No.: **46,022**

[22] Filed: **Nov. 6, 1995**

[51] LOC (6) Cl. .... **06-99**

[52] U.S. Cl. .... **D6/566**

[58] Field of Search ..... D6/566, 553, 567, D6/574; 211/70.6, 71, 86-87, 89, 100, 119, 181; 248/220.21

[56] **References Cited**

**U.S. PATENT DOCUMENTS**

D. 328,993 9/1992 Rosenthal ..... D6/566

D. 342,844	1/1994	Rittenberg .....	D6/566 X
D. 361,499	8/1995	Rittenberg .....	D6/566 X
4,106,736	8/1978	Becker, III et al. ....	211/106 X
4,863,131	9/1989	Kinseley .....	211/181 X

*Primary Examiner*—Brian N. Vinson  
*Attorney, Agent, or Firm*—Hill, Steadman & Simpson

[57] **CLAIM**

The ornamental design for a combination single unit display and basket, as shown and described.

**DESCRIPTION**

FIG. 1 is a front elevational view of a combination single unit display and basket showing our new design; FIG. 2 is a rear elevational view thereof; FIG. 3 is a left side elevational view thereof; FIG. 4 is a right side elevational view thereof; FIG. 5 is an enlarged top plan view thereof; and, FIG. 6 is an enlarged bottom plan view thereof.

**1 Claim, 6 Drawing Sheets**

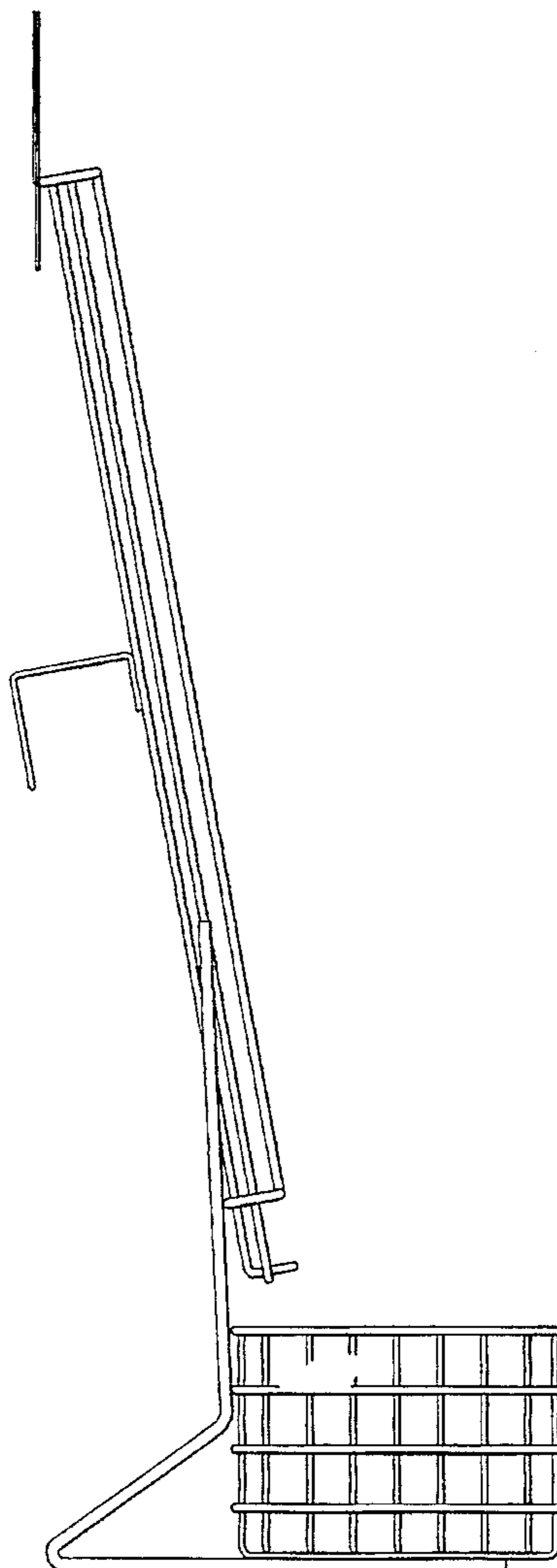
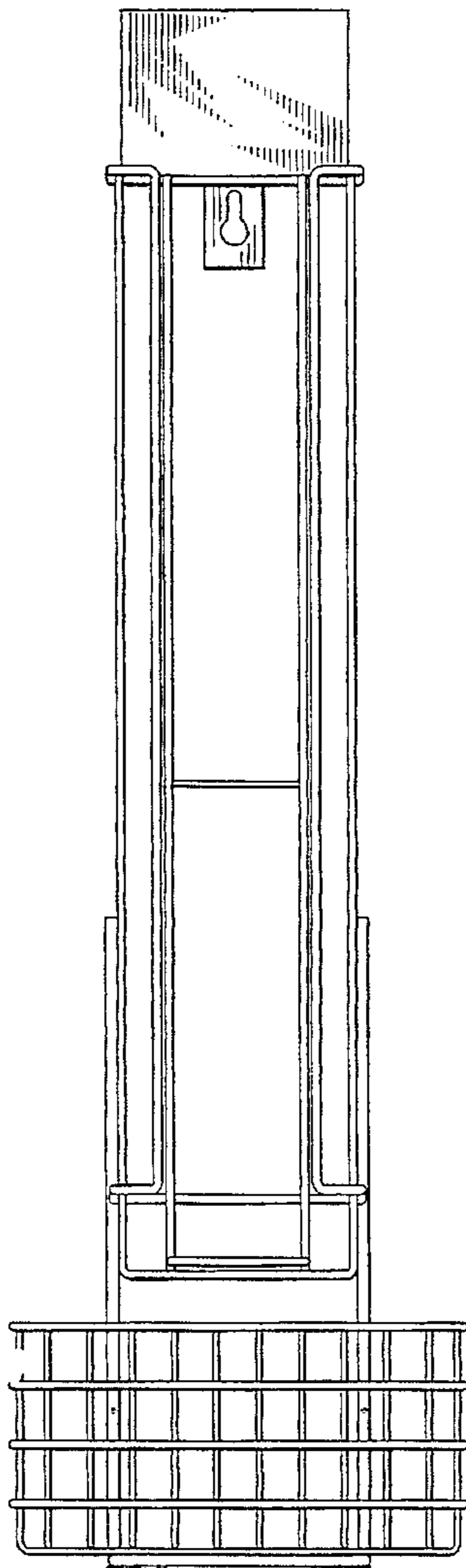


FIG.1

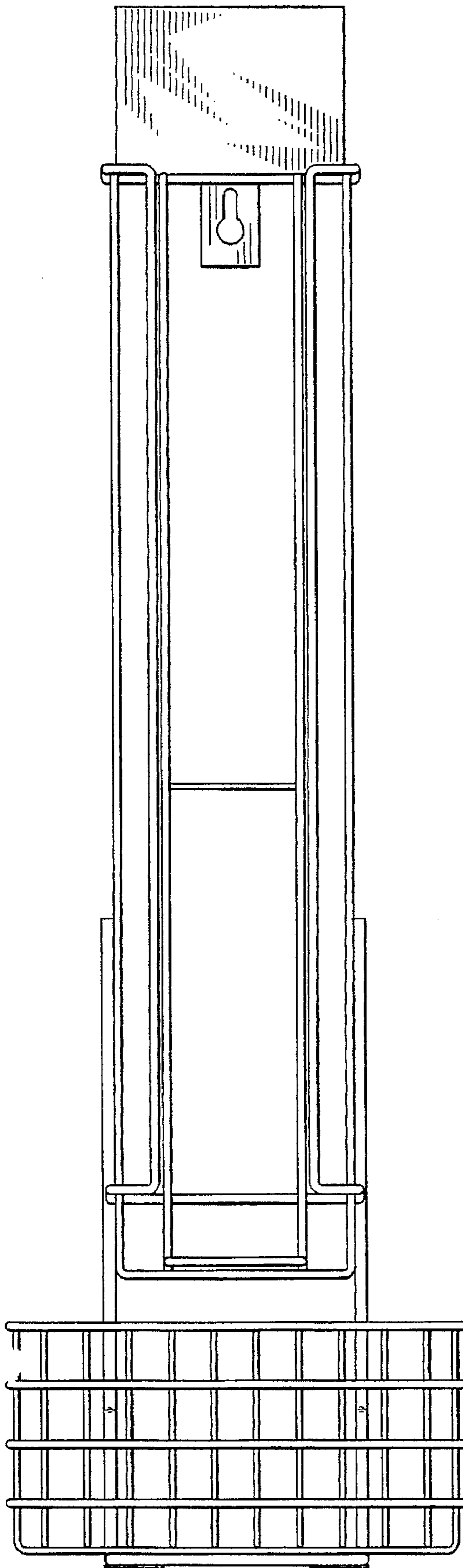
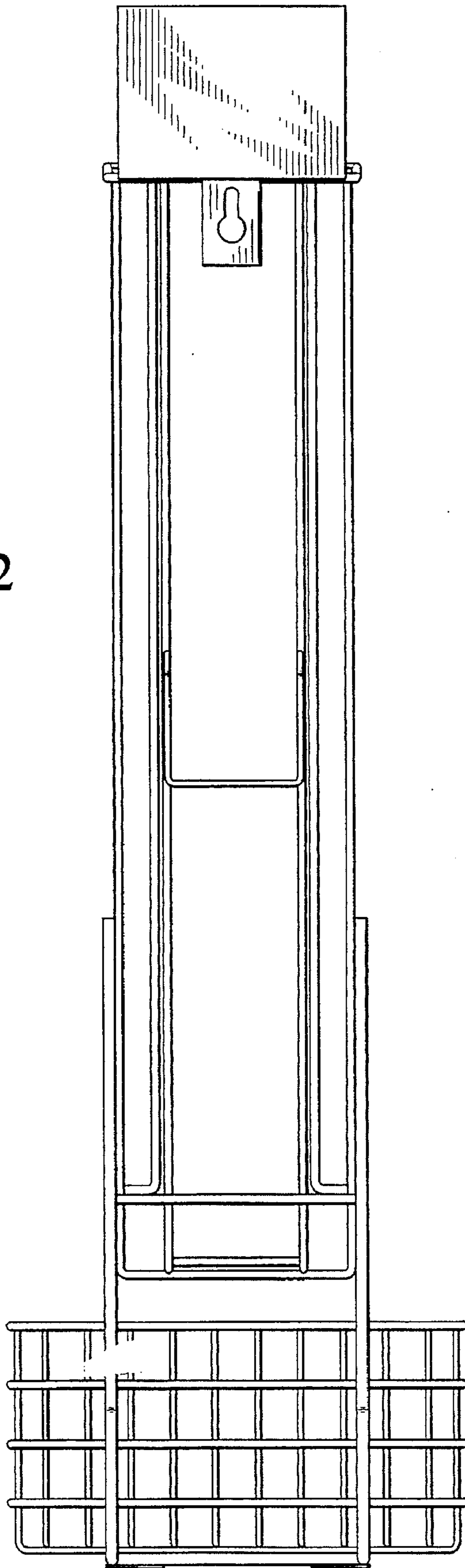


FIG. 2



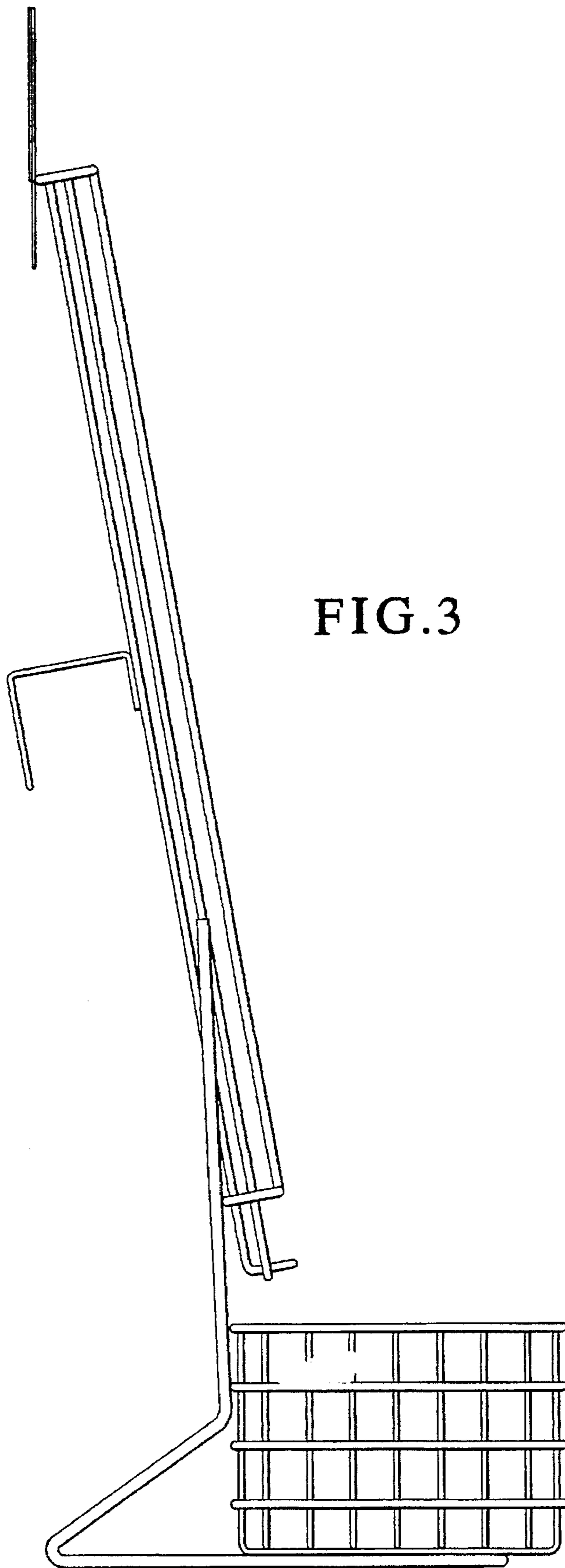


FIG. 3

FIG. 4

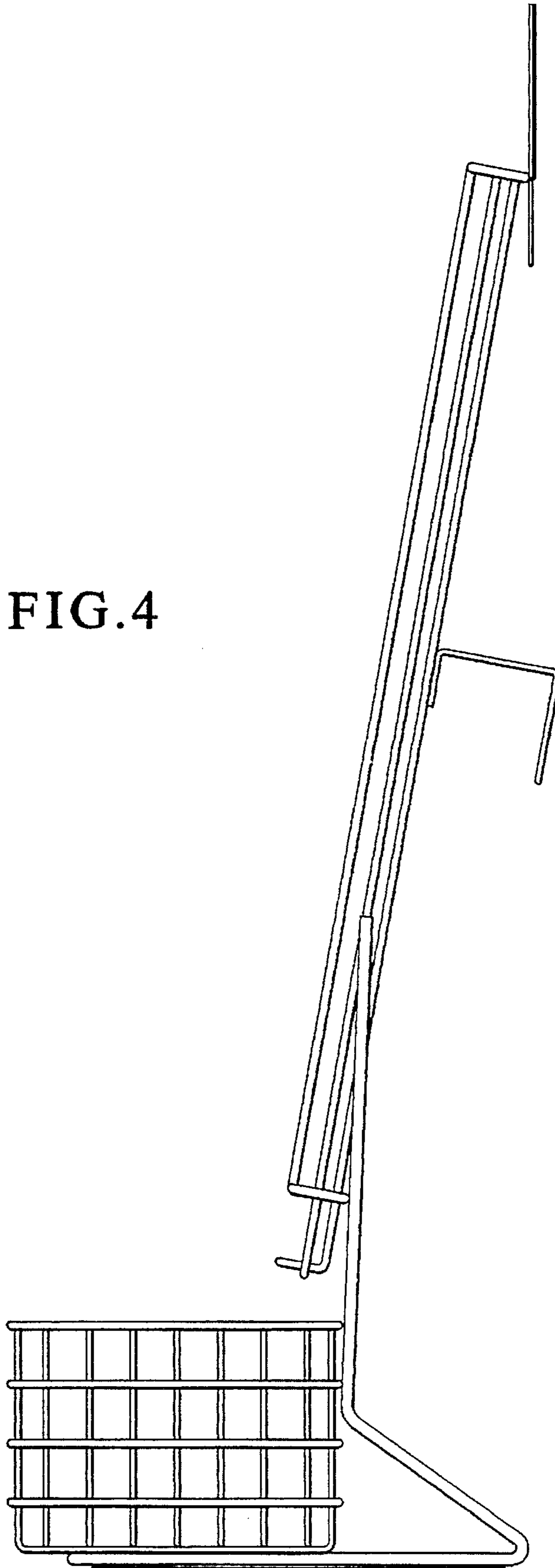


FIG. 5

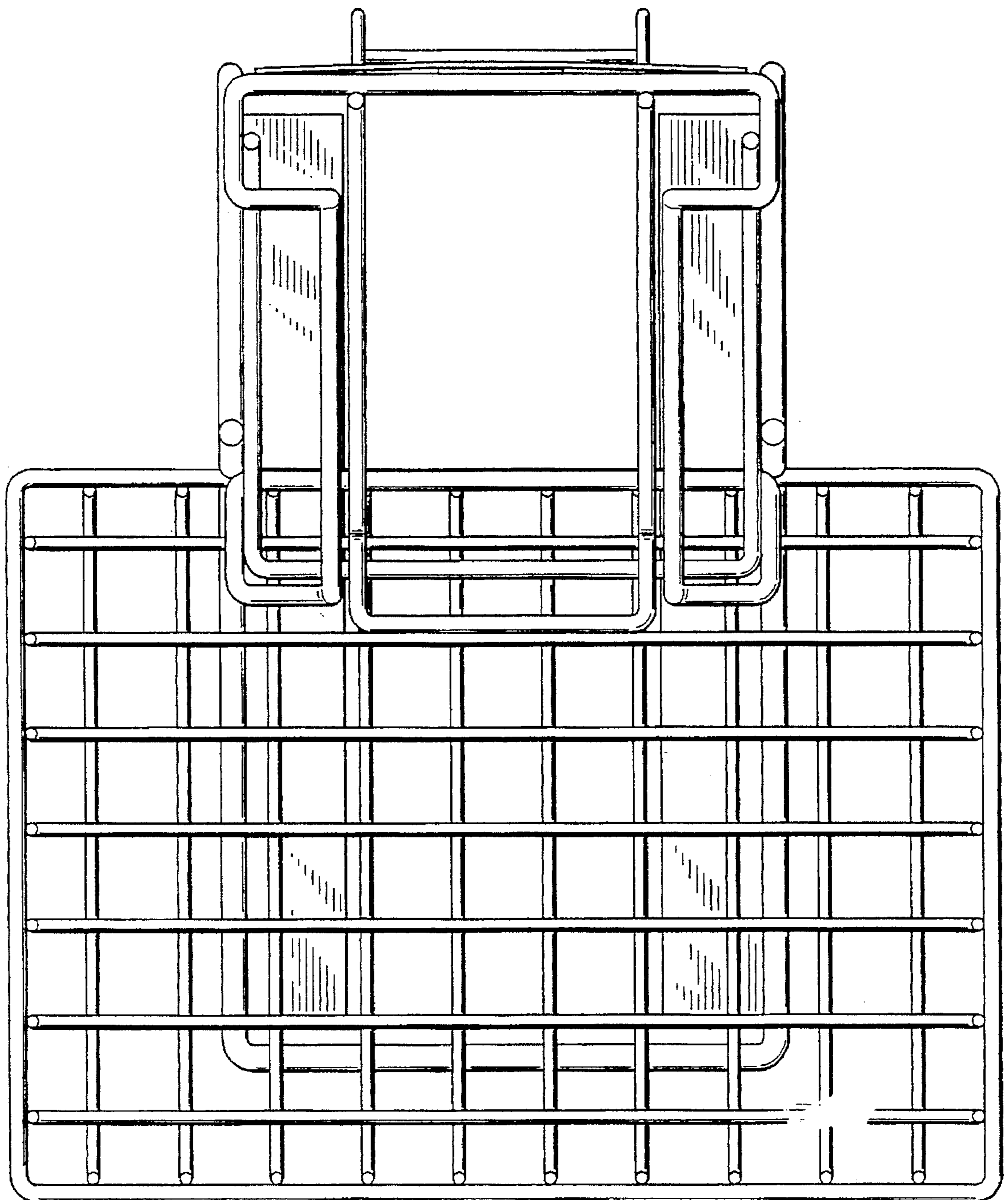


FIG. 6

