



US00D382158S

United States Patent [19]

[11] Patent Number: **Des. 382,158**

Allendorph

[45] Date of Patent: ****Aug. 12, 1997**

[54] **STORAGE RACK FOR GOLF BAGS AND EQUIPMENT**

[76] Inventor: **Thomas R. Allendorph**, 1600 Ironwood Dr., Mt. Prospect, Ill. 60056

[**] Term: **14 Years**

[21] Appl. No.: **49,180**

[22] Filed: **Jan. 19, 1996**

[51] LOC (6) Cl. **06-06**

[52] U.S. Cl. **D6/552**

[58] Field of Search D6/552; D21/223; 211/13, 60.1, 68, 70.2, 70.5, 90

[56] **References Cited**

U.S. PATENT DOCUMENTS

- D. 312,016 11/1990 Montgomery .
- D. 317,231 6/1991 Montgomery .
- D. 364,063 11/1995 Lo D6/552
- 5,087,003 2/1992 Montgomery .
- 5,497,891 3/1996 Hannon 211/71

OTHER PUBLICATIONS

The Original **KADDIE™** Stand Brochure (2-sided brochure) Pub'd Prior to Filing Date.

The Original **KADDIE™** Stand Brochure "The Perfect Home Golf Organizer" (3-part brochure) Pub'd Prior to Filing Date.

Primary Examiner—Brian N. Vinson
Attorney, Agent, or Firm—Wood, Phillips, VanSanten, Clark & Mortimer

[57] **CLAIM**

The ornamental design of a storage rack for golf bags and equipment, as shown and described.

DESCRIPTION

FIG. 1 is a top, front, and left side perspective view of a storage rack for golf bags and equipment showing my new design;

FIG. 2 is a top plan view thereof;

FIG. 3 is a left side elevational view thereof;

FIG. 4 is a front elevational view thereof;

FIG. 5 is a right side elevational view thereof;

FIG. 6 is a rear elevational view thereof;

FIG. 7 is a top, front, and left side perspective view of a second embodiment of a storage rack for golf bags and equipment showing my new design;

FIG. 8 is a top plan view thereof;

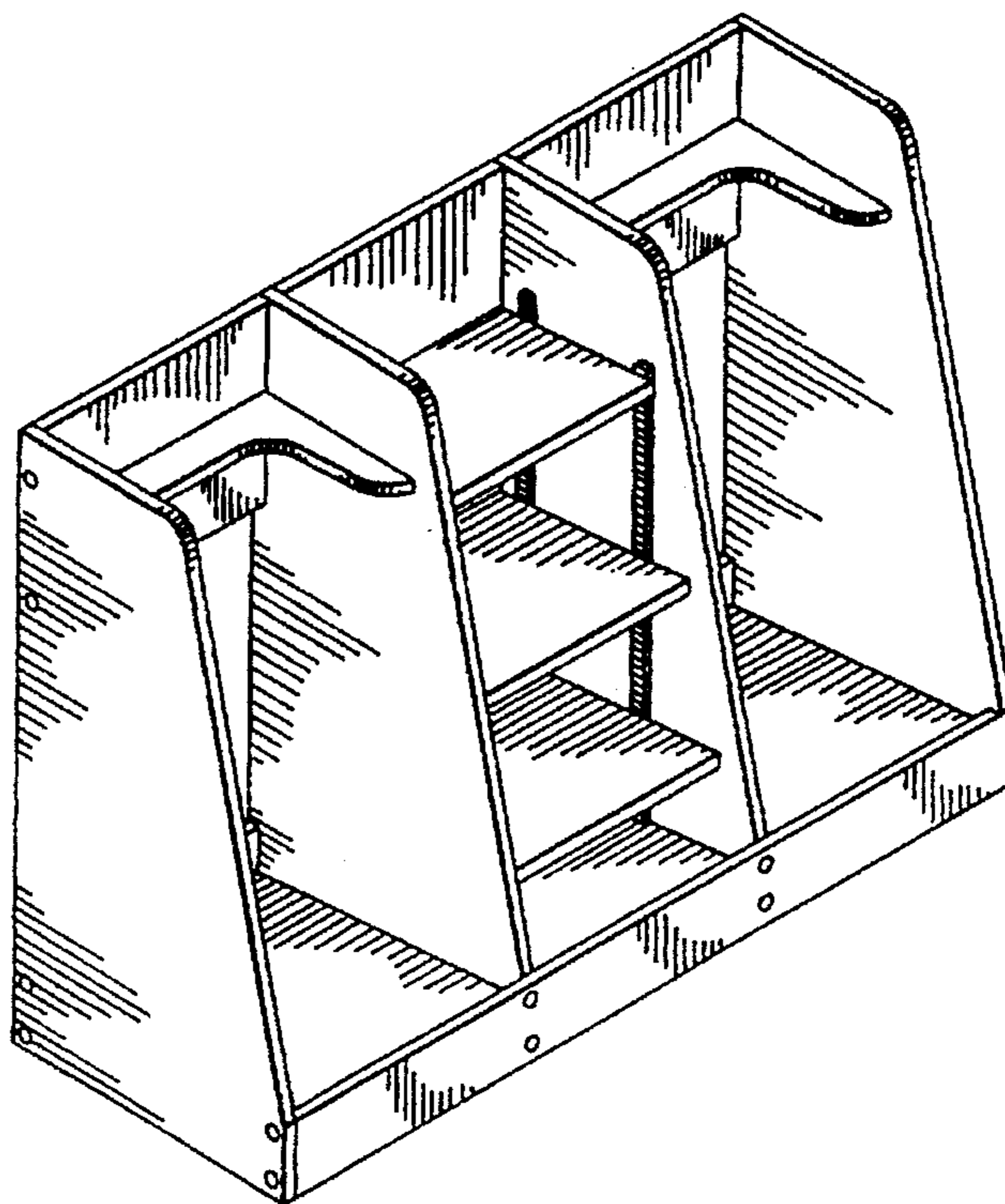
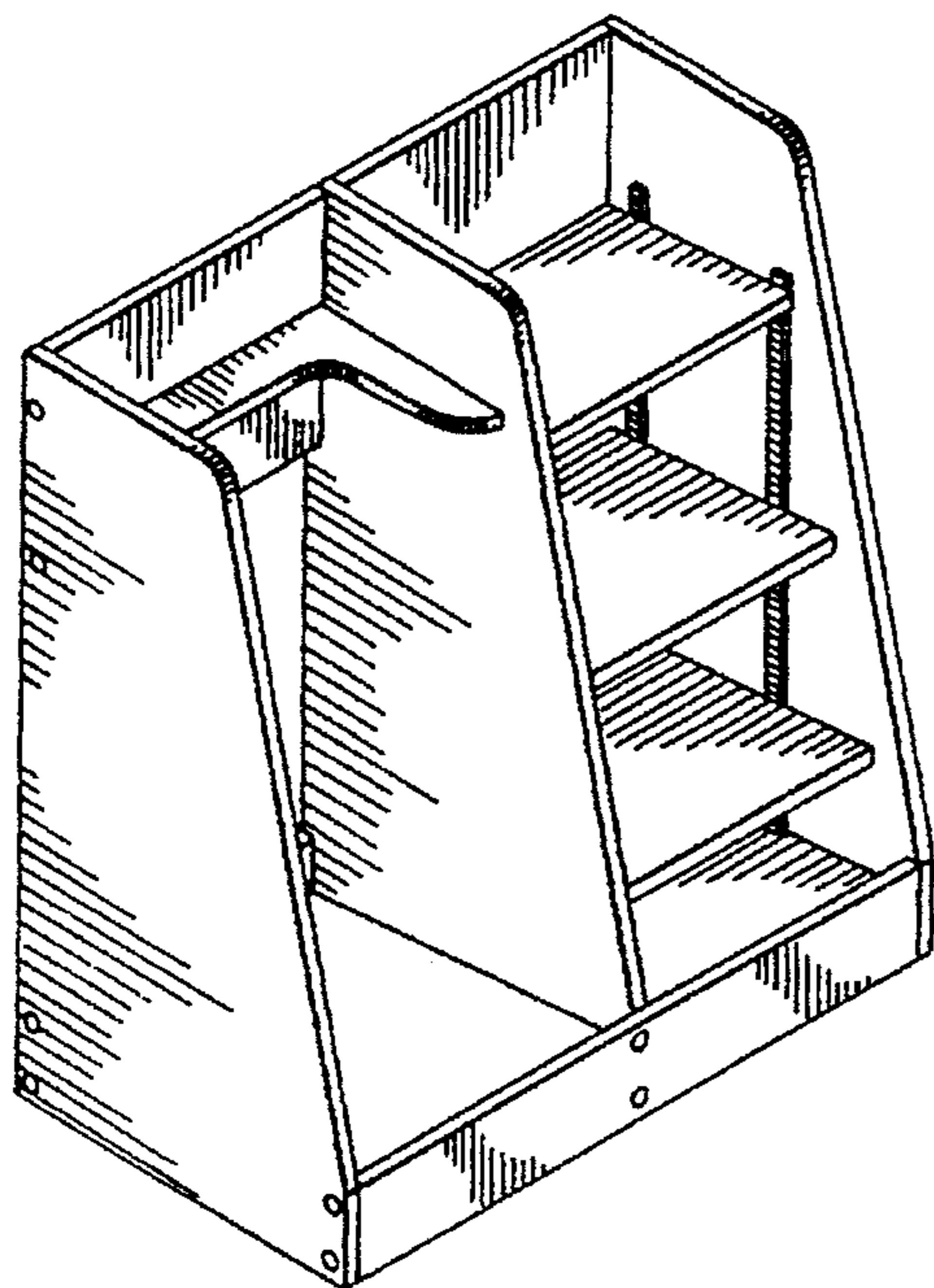
FIG. 9 is a left side elevational view thereof;

FIG. 10 is a front elevational view thereof;

FIG. 11 is a right side elevational view thereof; and,

FIG. 12 is a rear elevational view thereof.

1 Claim, 5 Drawing Sheets



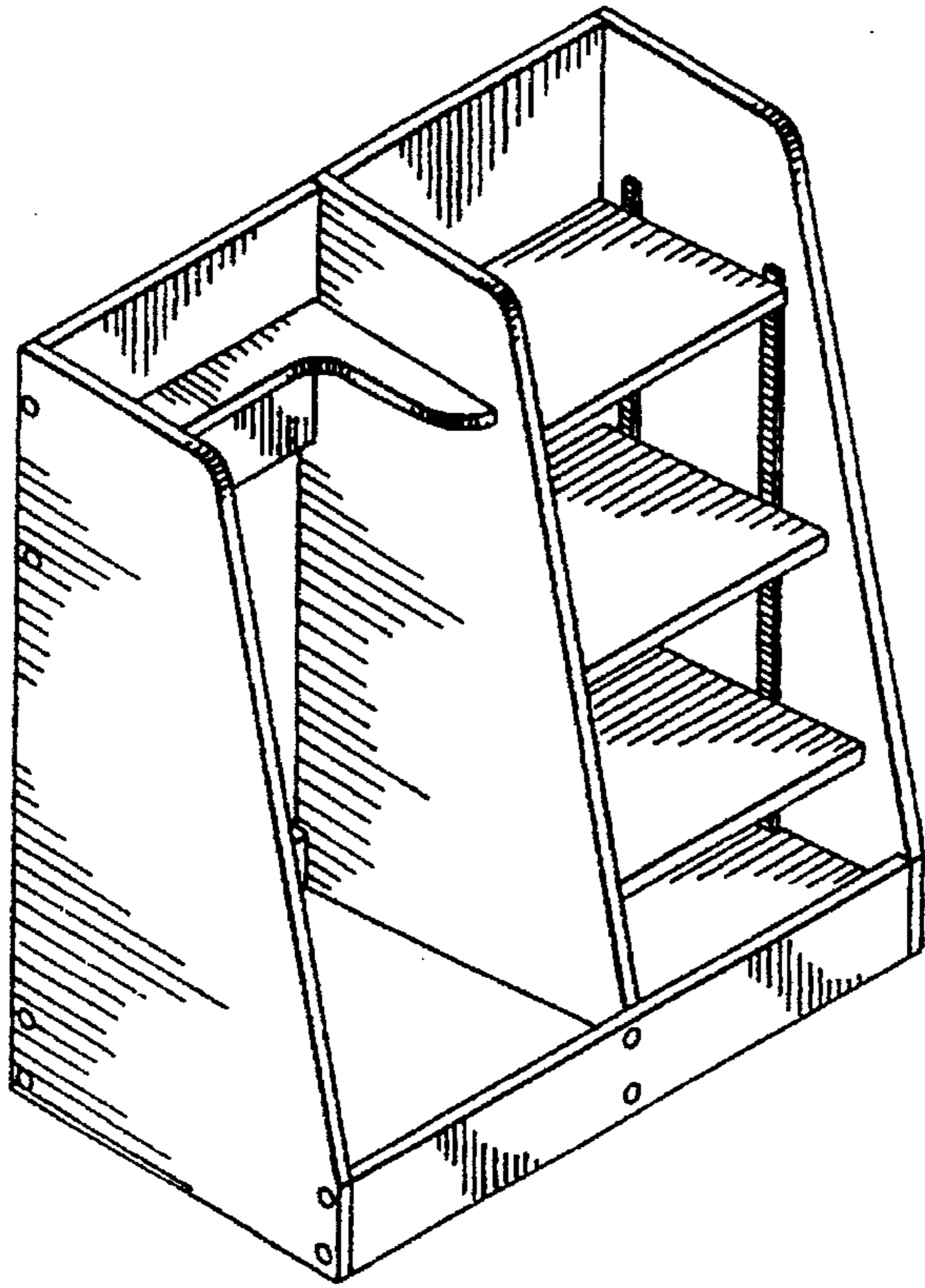


FIG. 1

FIG. 2

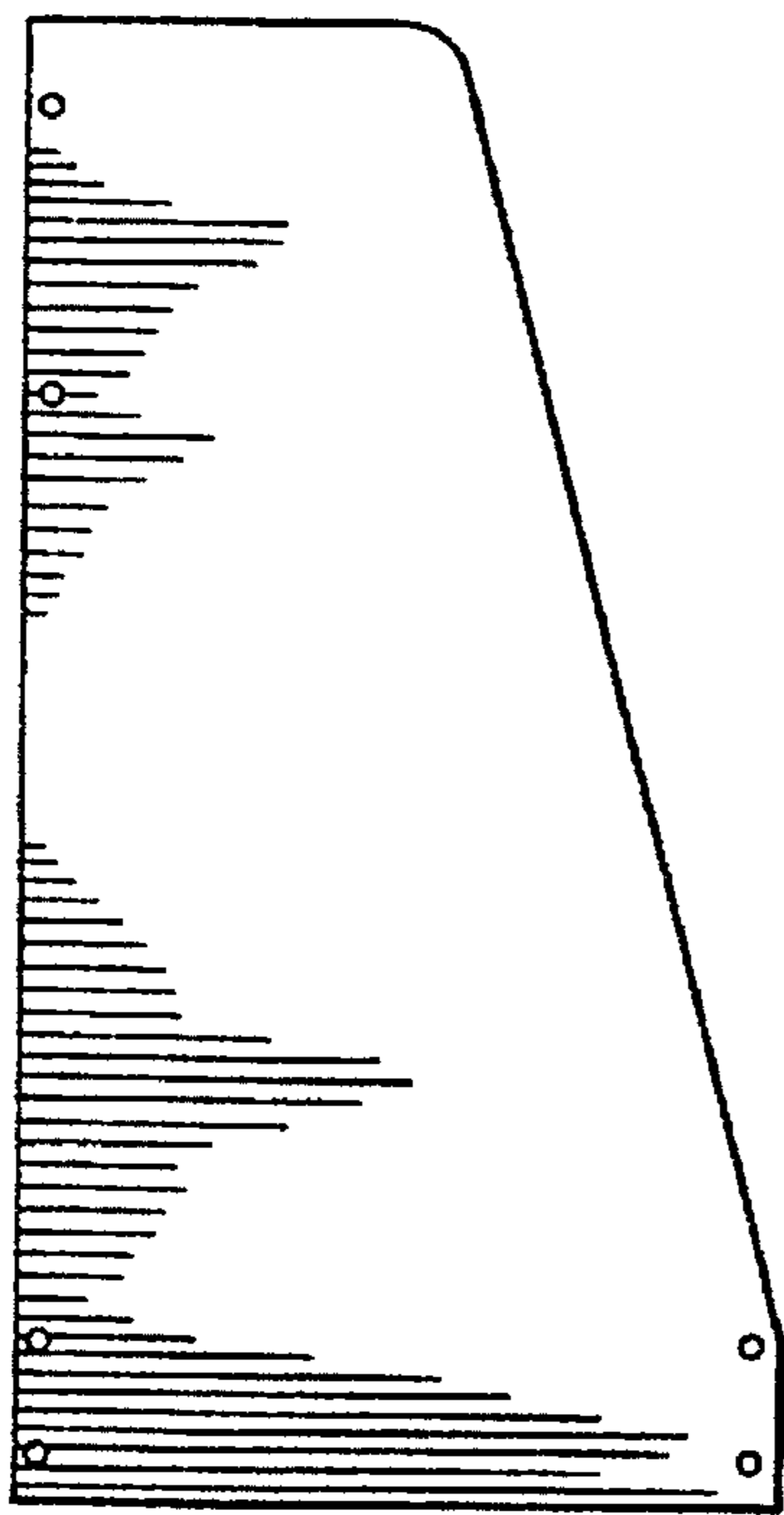
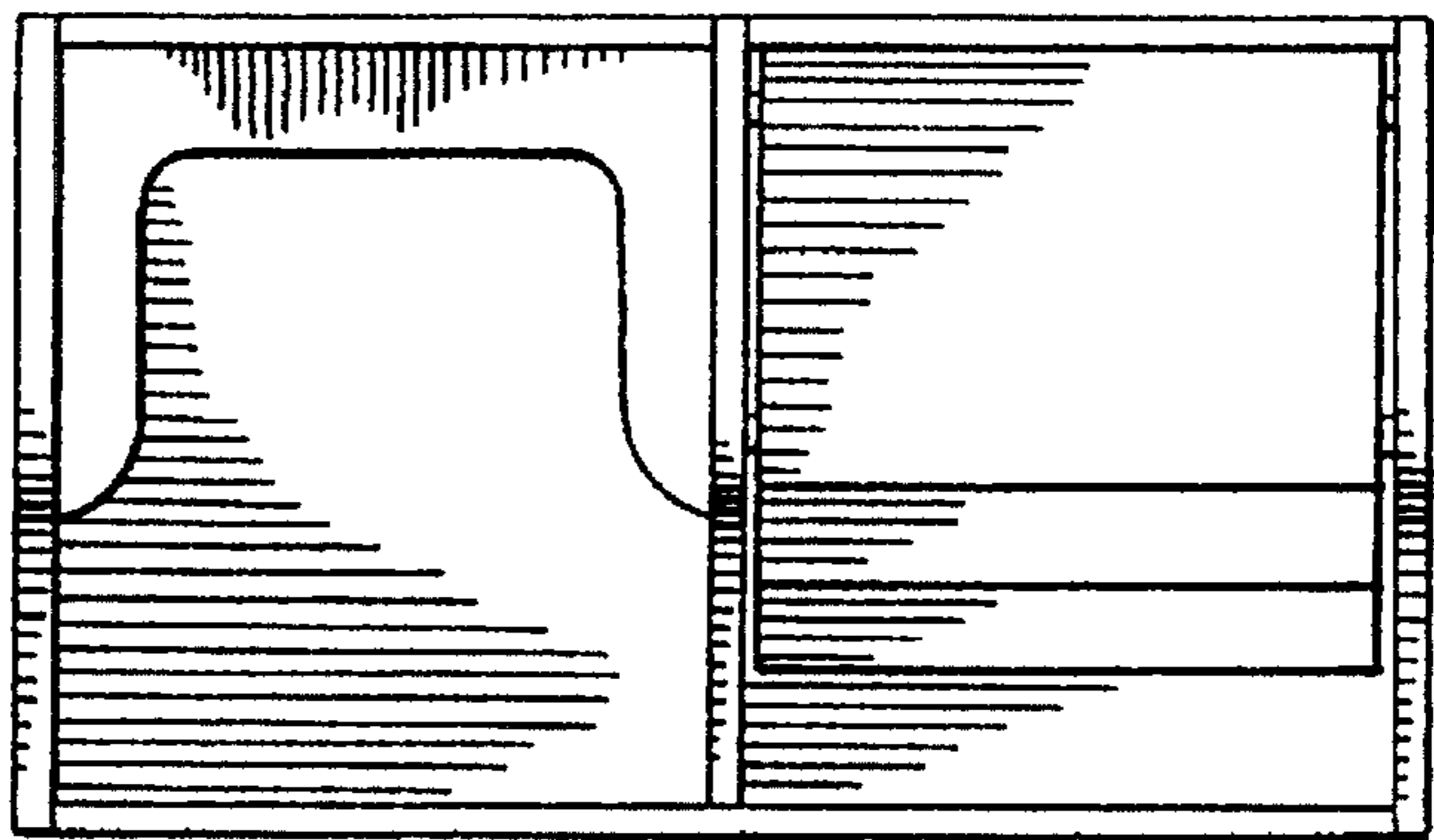


FIG. 3

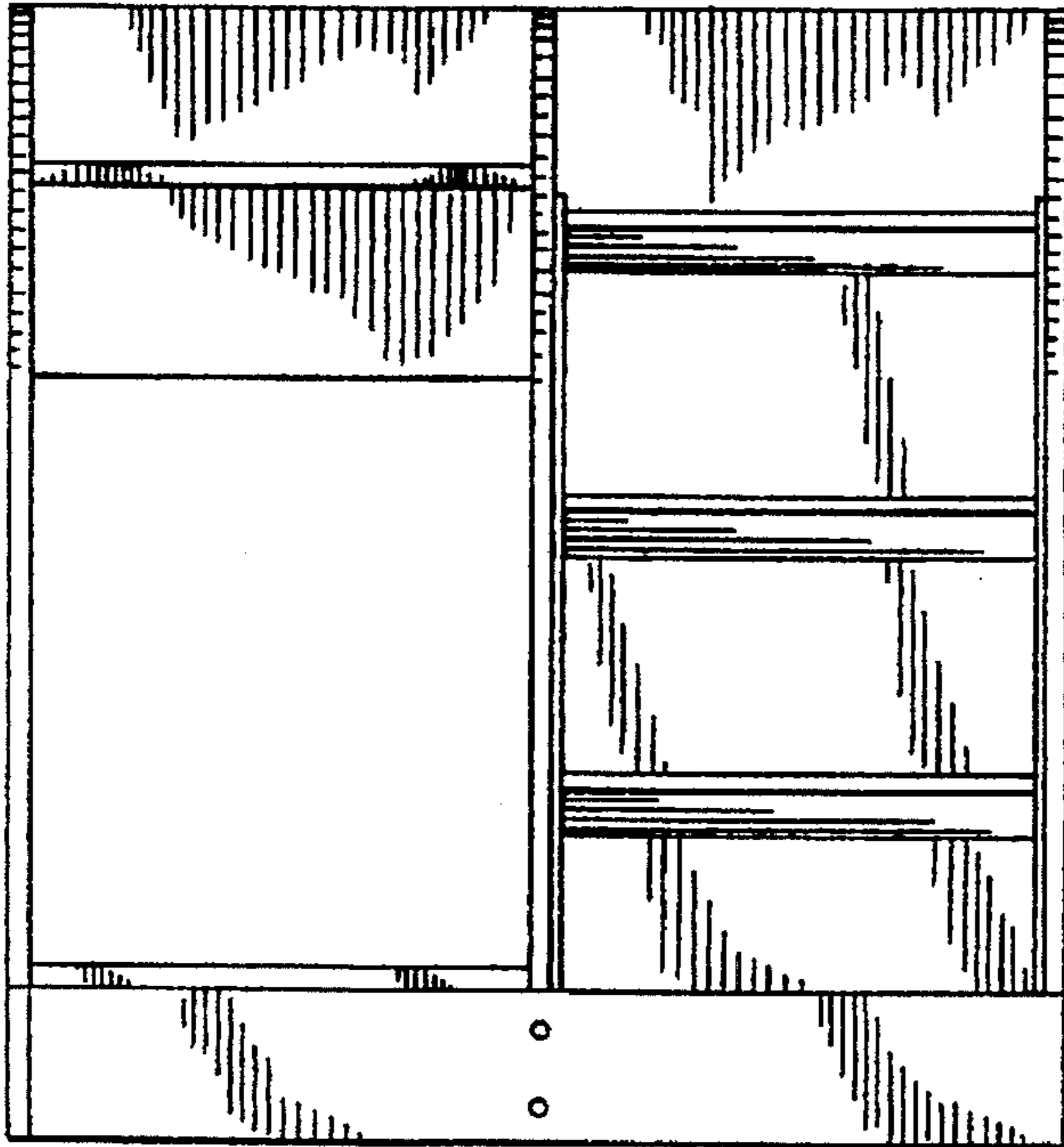


FIG. 4

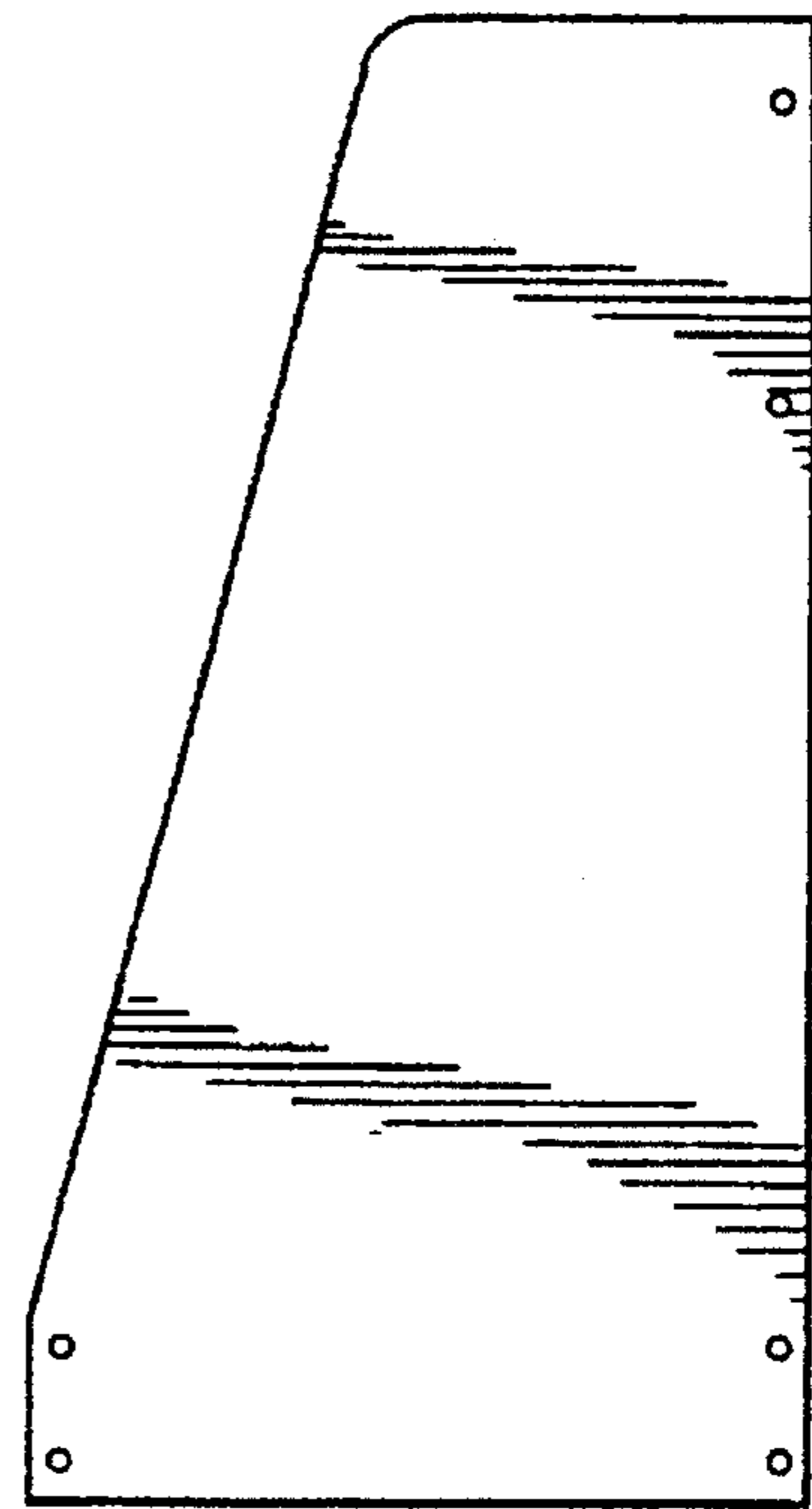


FIG. 5

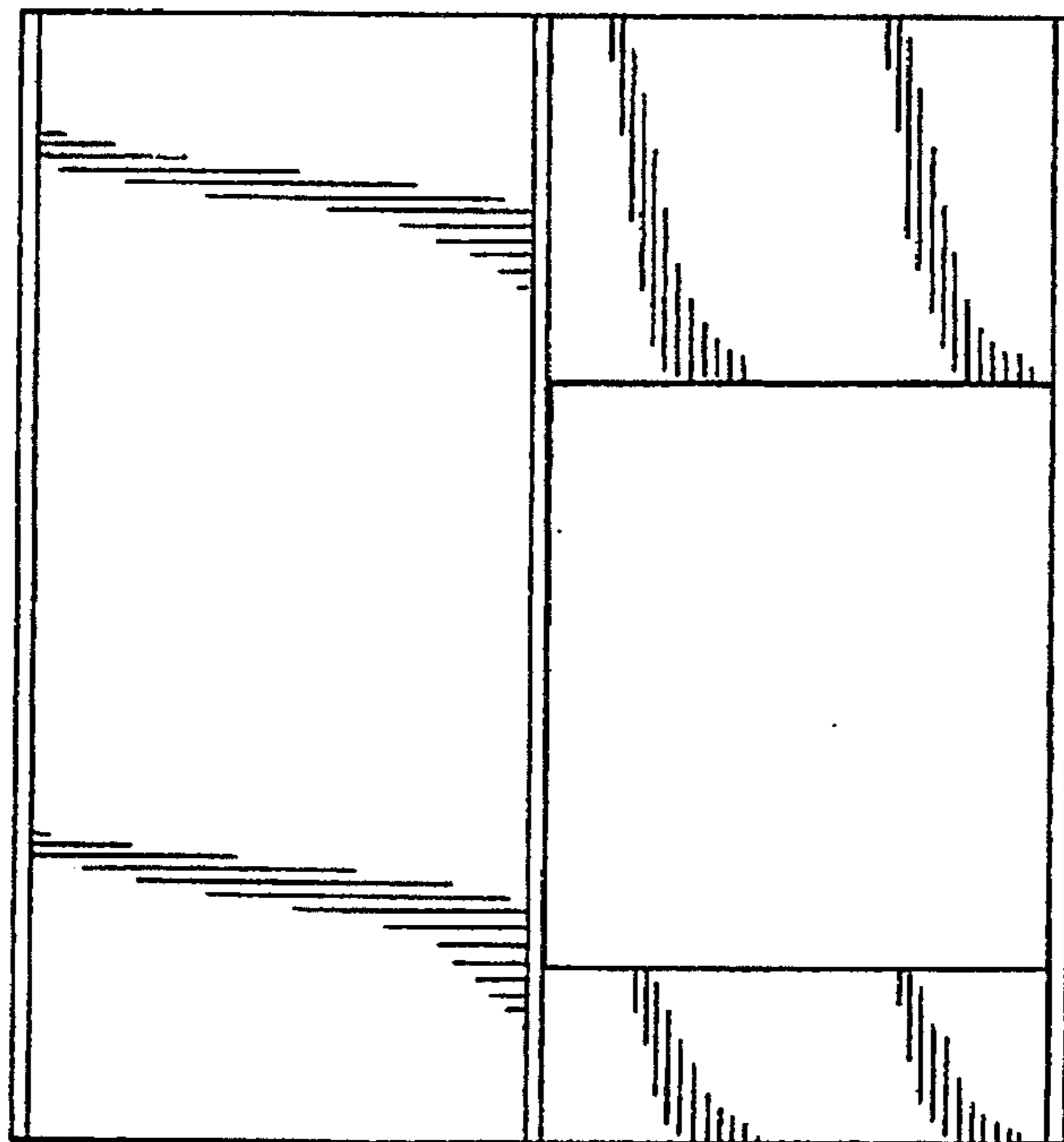


FIG. 6

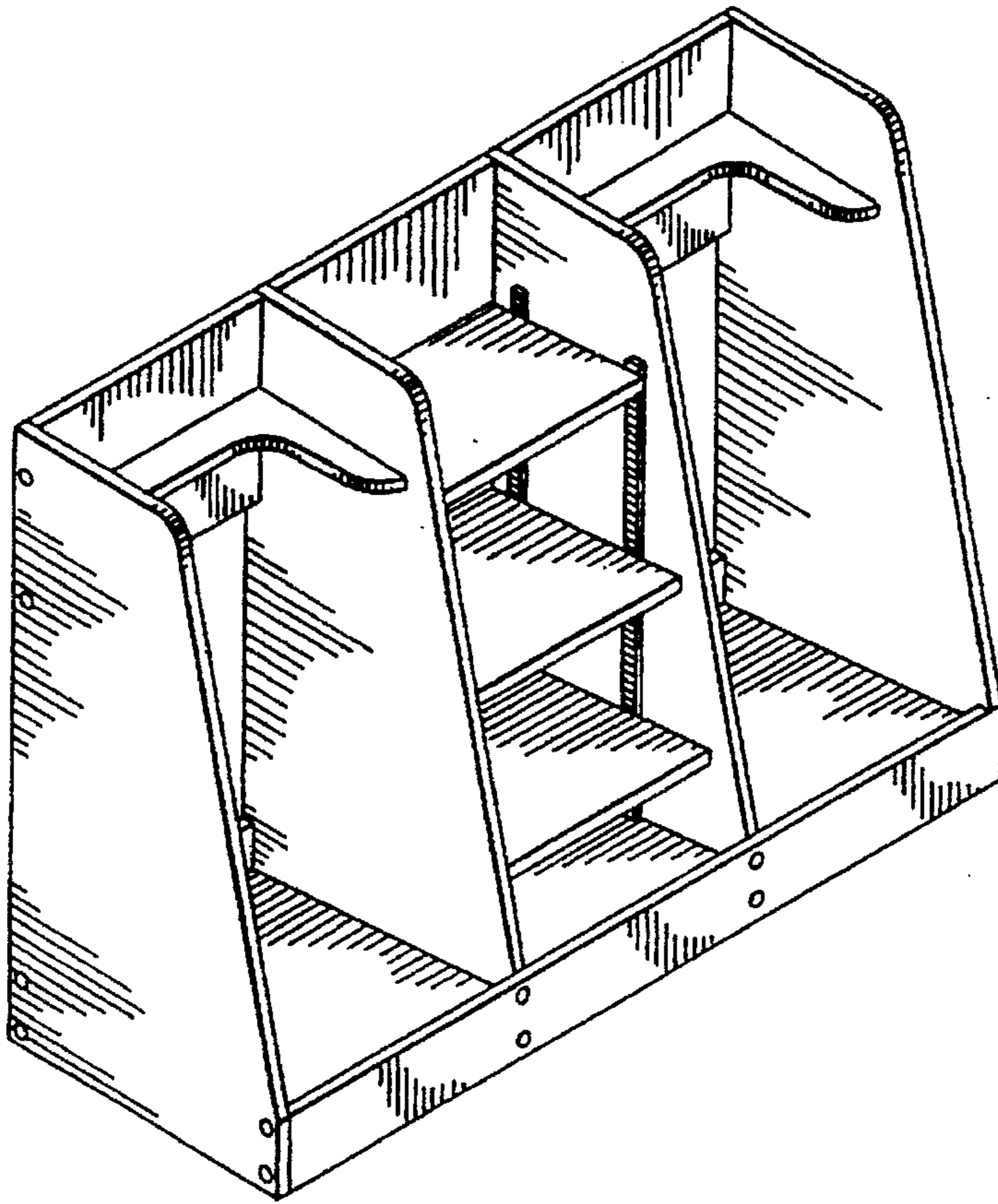


FIG. 7

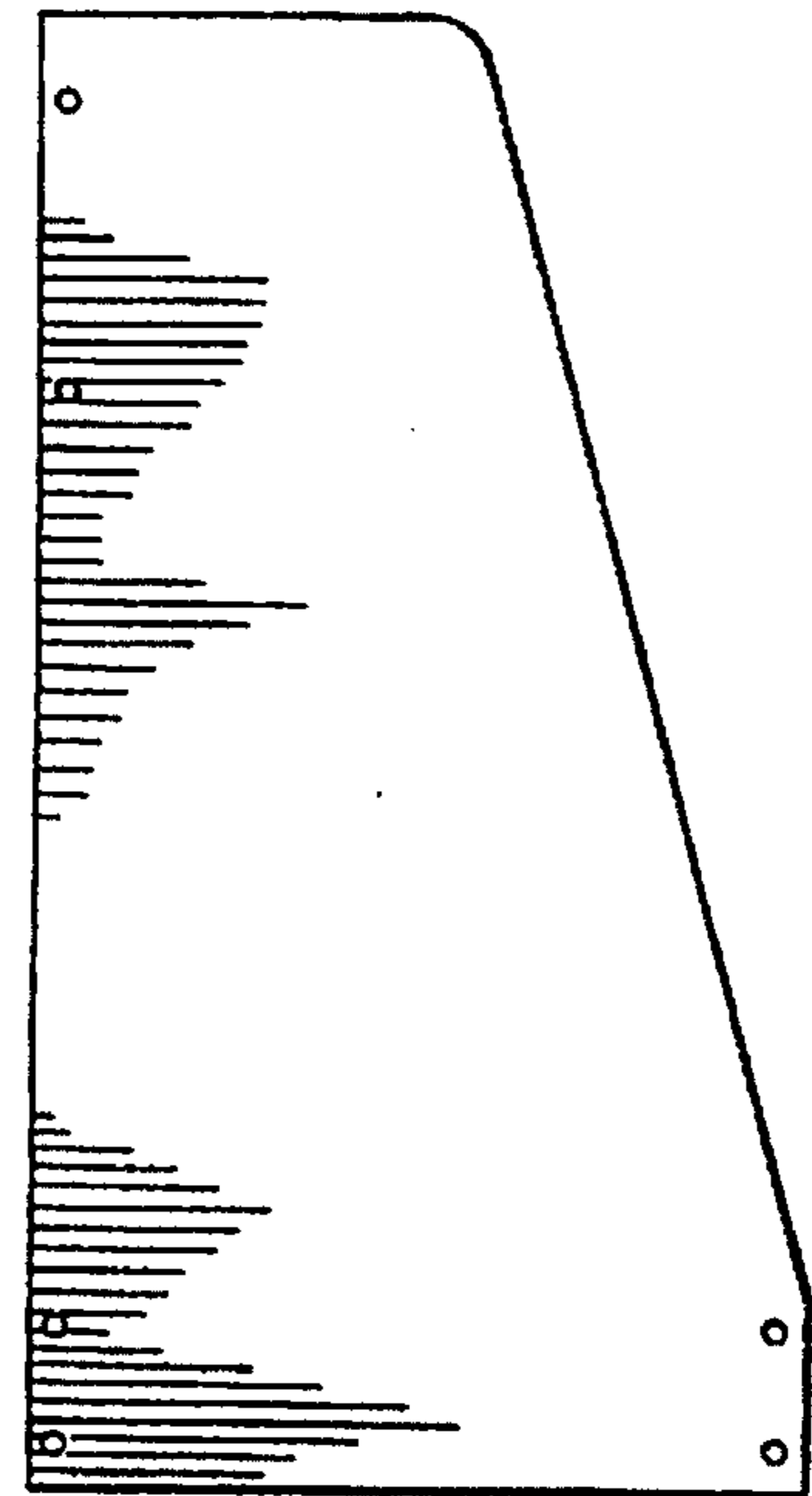
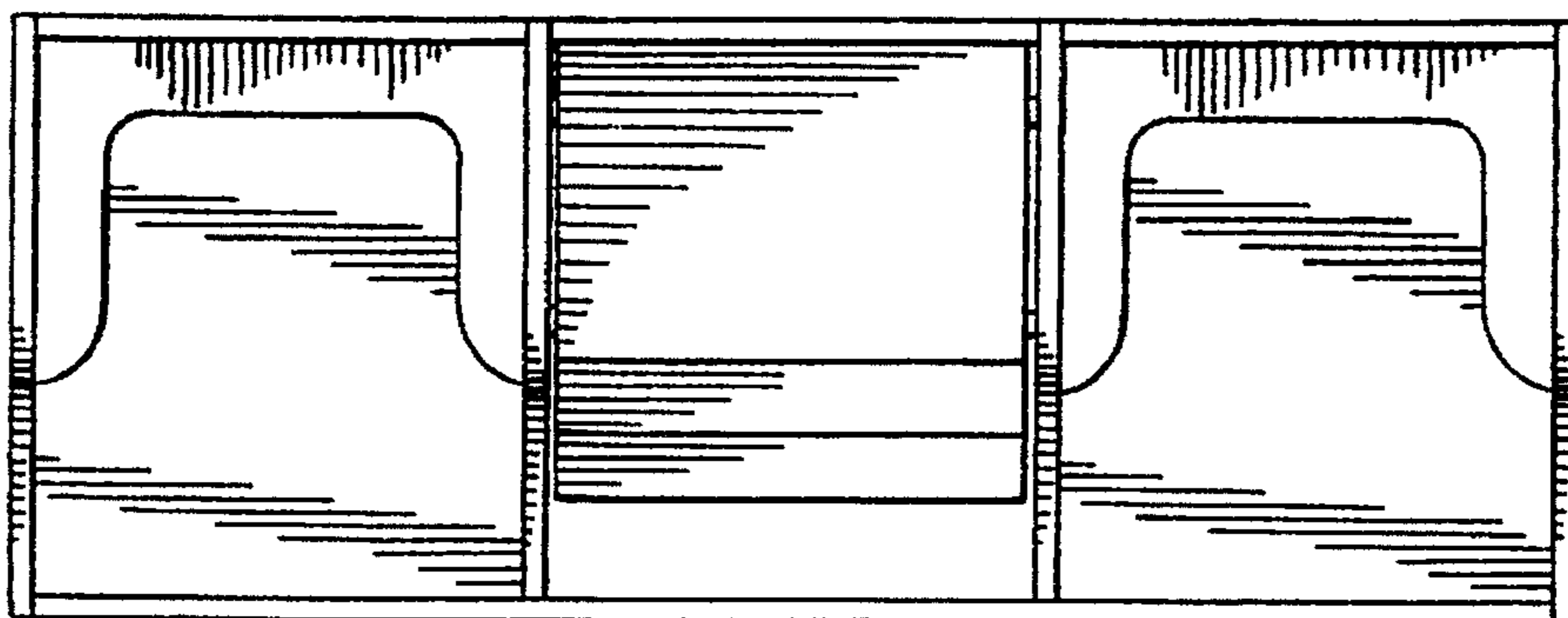


FIG. 9

FIG. 8



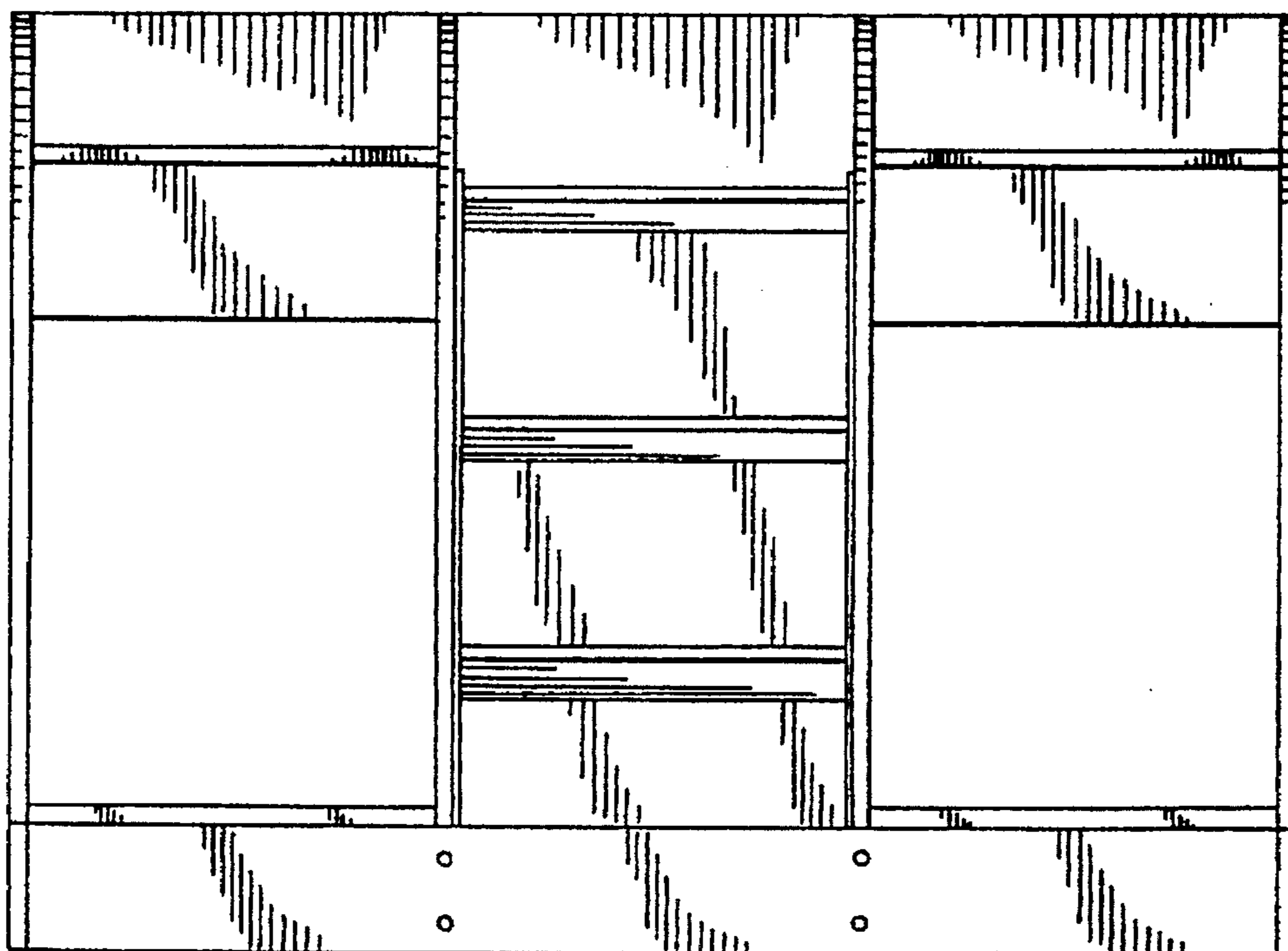


FIG. 10



FIG. 11

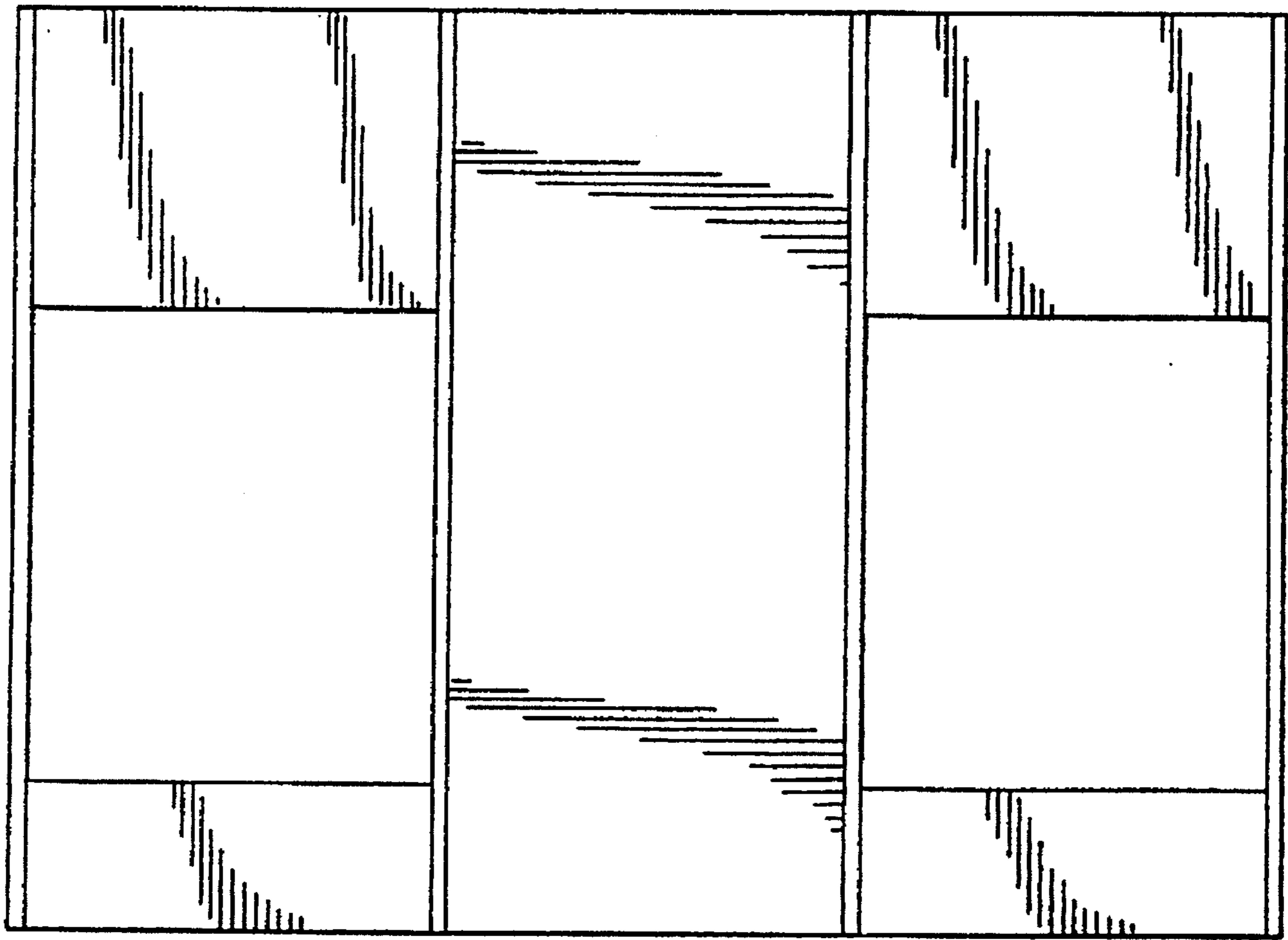


FIG. 12