



US00D382149S

# United States Patent [19]

Pimental et al.

[11] Patent Number: **Des. 382,149**

[45] Date of Patent: **\*\*Aug. 12, 1997**

[54] **CHAIR**

D. 343,740 2/1994 Ginat ..... D6/366  
D. 358,063 5/1995 Larkin ..... D6/366

[75] Inventors: **F. Dennie Pimental; Pamela S. Light**,  
both of Santa Ana; **John W. Duffy**, Los  
Angeles, all of Calif.

### OTHER PUBLICATIONS

Interiors, Feb. 1981, p. 99, chair at left in bottom center  
frame (as marked).

[73] Assignee: **Steelcase Inc.**, Grand Rapids, Mich.

Interiors, Apr. 1982, p. 6, Chair by Knoll.  
Fixtures Furniture, p. 53, Chair shown.

[\*\*] Term: **14 Years**

*Primary Examiner*—Gary D. Watson  
*Attorney, Agent, or Firm*—Price, Heneveld, Cooper, DeWitt  
& Litton

[21] Appl. No.: **55,537**

[22] Filed: **Jun. 6, 1996**

[51] LOC (6) Cl. .... **06-06**

### [57] CLAIM

[52] U.S. Cl. .... **D6/500; D6/366**

The ornamental design for a chair, as shown and described.

[58] Field of Search ..... D6/334, 335, 364,  
D6/365, 366, 367, 379, 500, 501, 502;  
297/411.44, 452.36

### DESCRIPTION

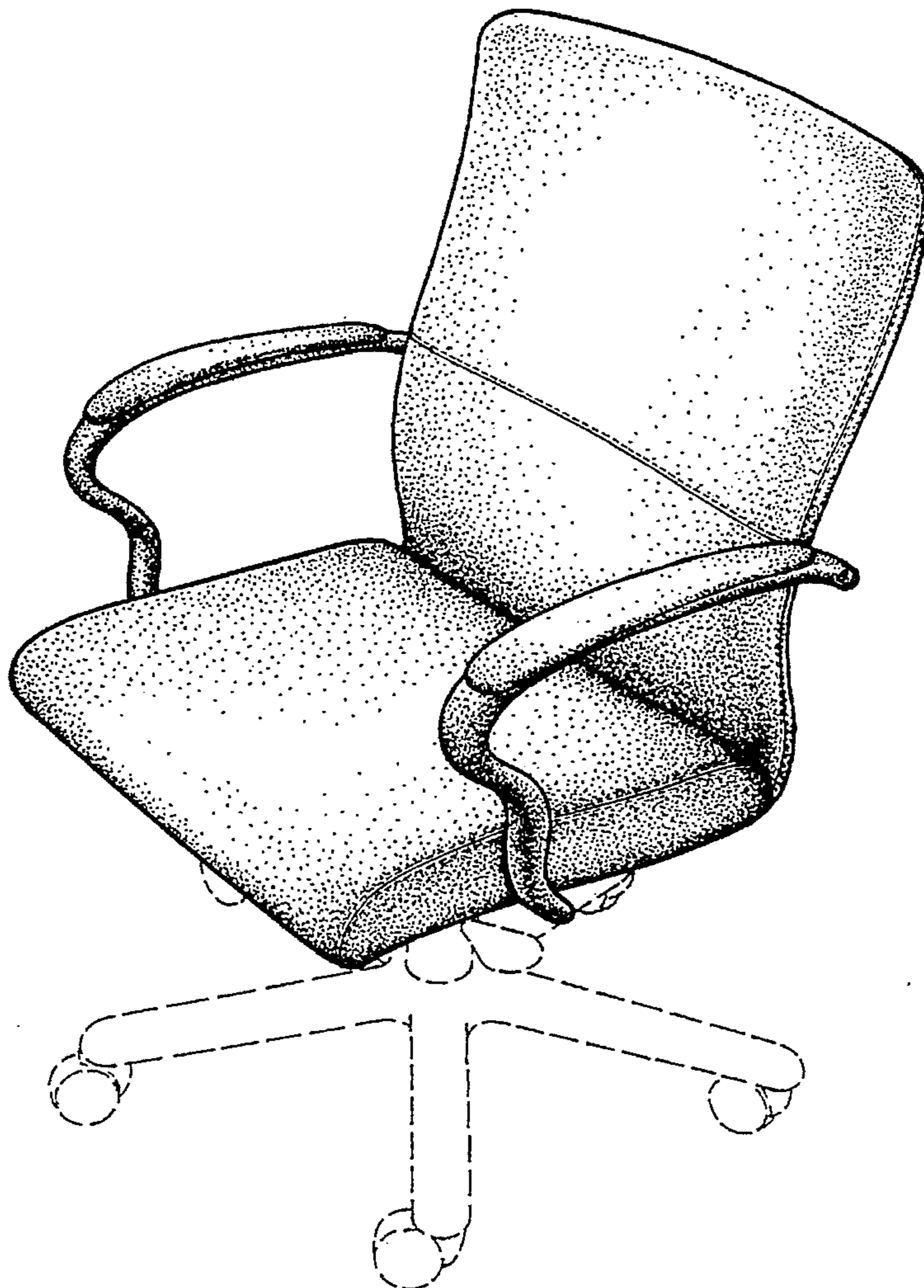
### [56] References Cited

#### U.S. PATENT DOCUMENTS

D. 80,597 3/1930 Bernhard ..... D6/379  
D. 291,509 8/1987 Sapper ..... D6/366  
D. 339,924 10/1993 Fahmstrom et al. .... D6/366  
D. 339,927 10/1993 Fahmstrom et al. .... D6/366

FIG. 1 is a perspective view of our chair design;  
FIG. 2 is a right side view thereof, the left side view being  
a mirror image of the right side;  
FIG. 3 is a front view thereof;  
FIG. 4 is a top view thereof; and,  
FIG. 5 is a rear view thereof.

**1 Claim, 3 Drawing Sheets**



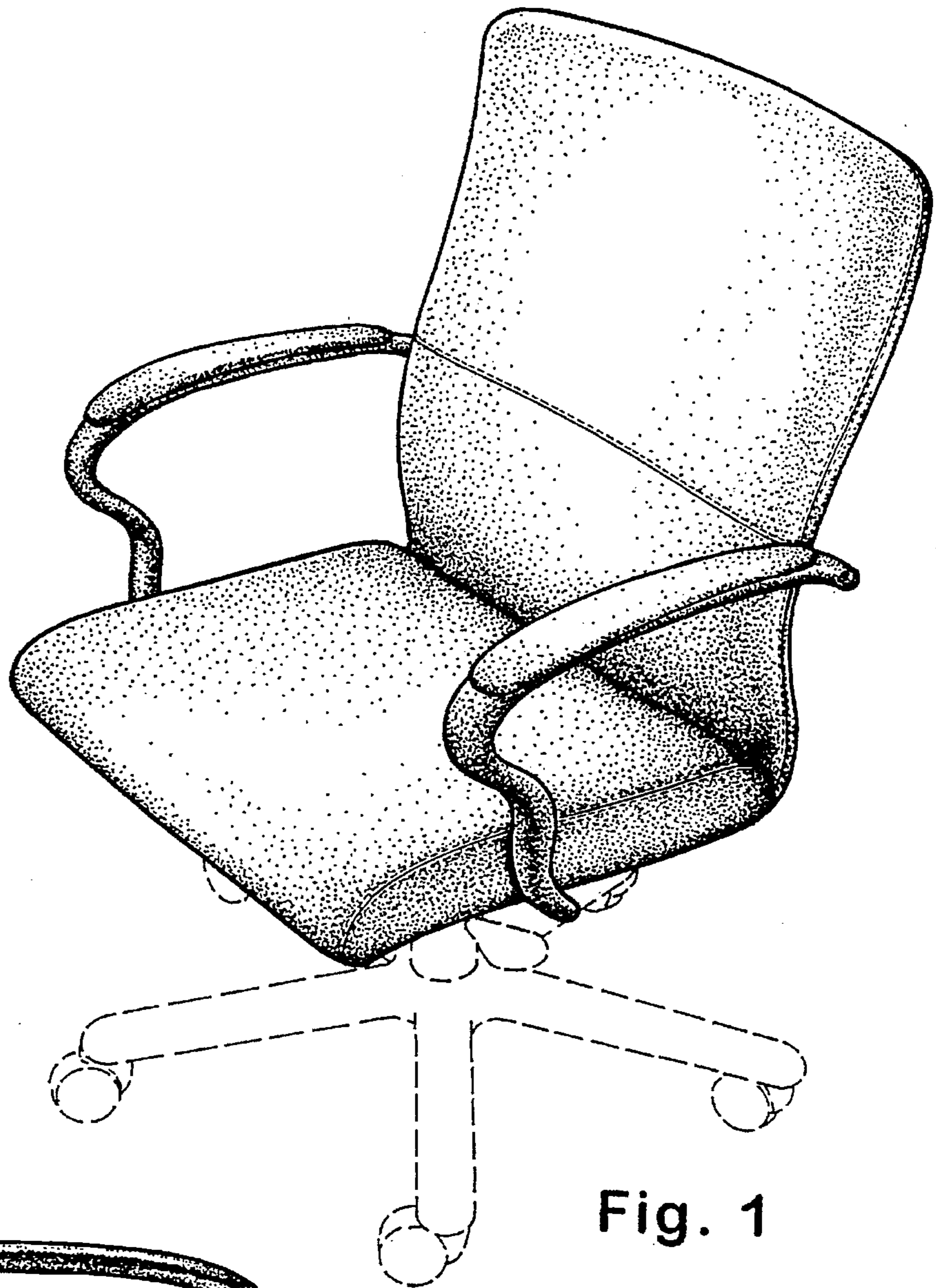


Fig. 1

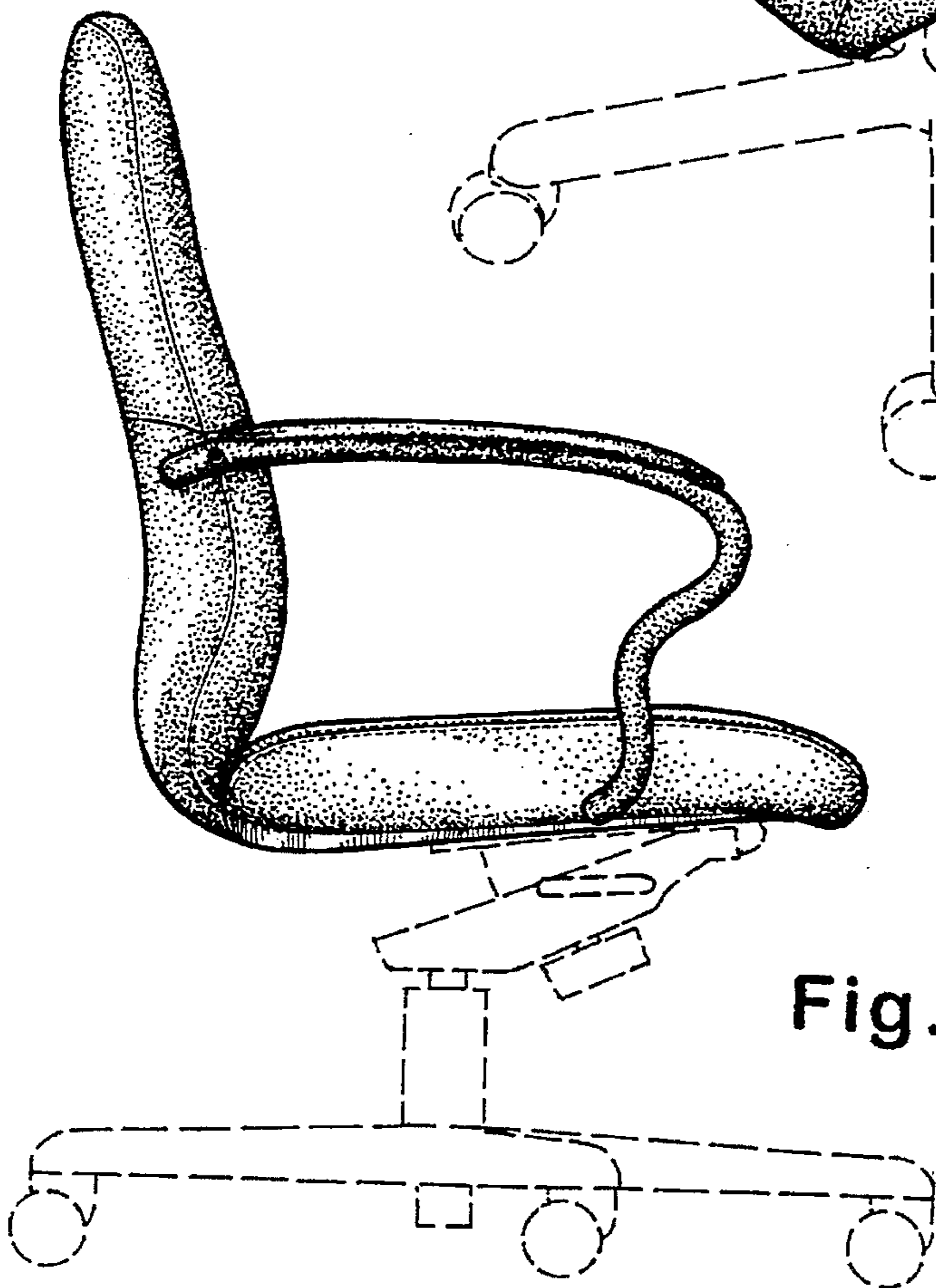


Fig. 2

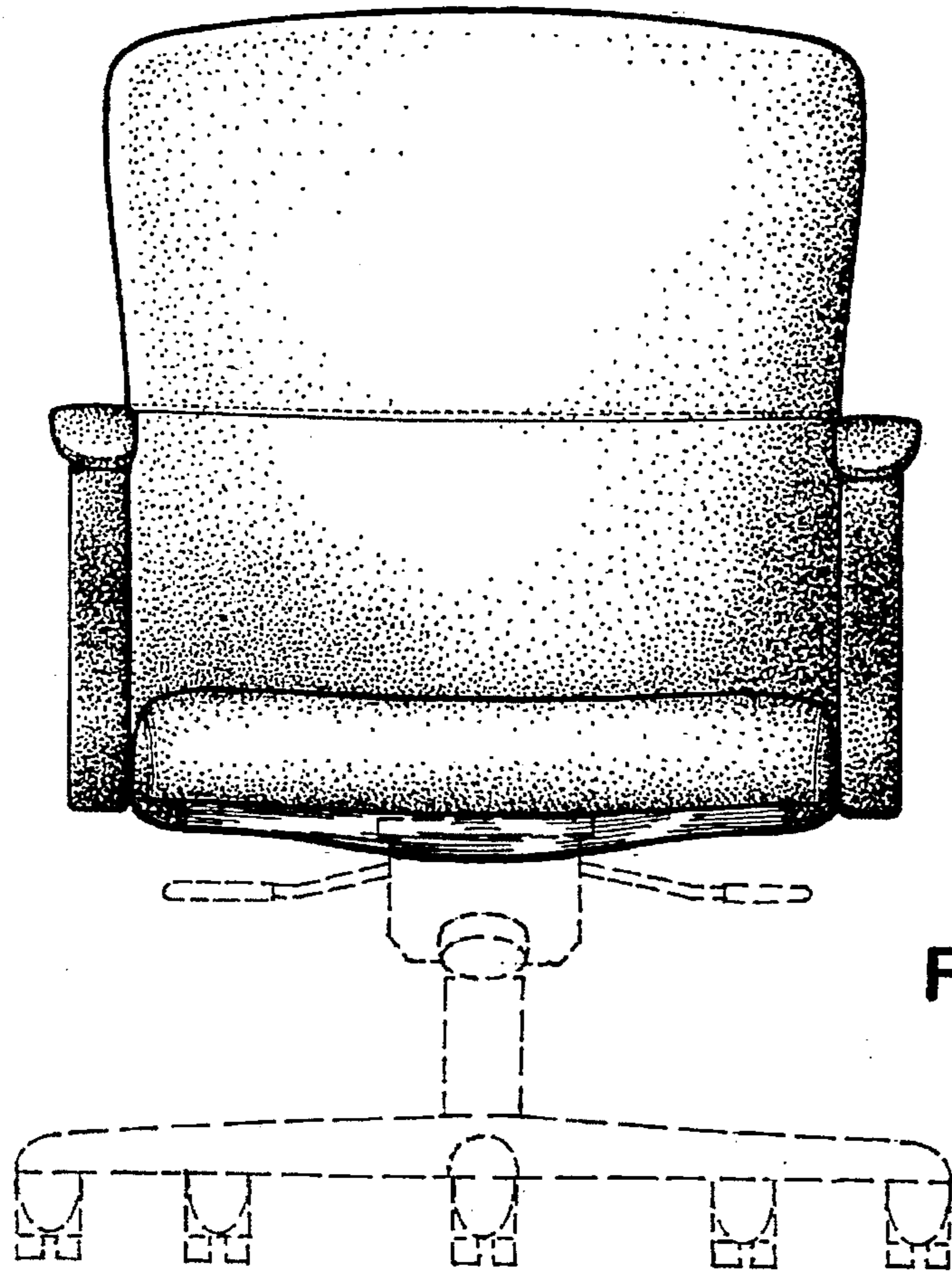


Fig. 3

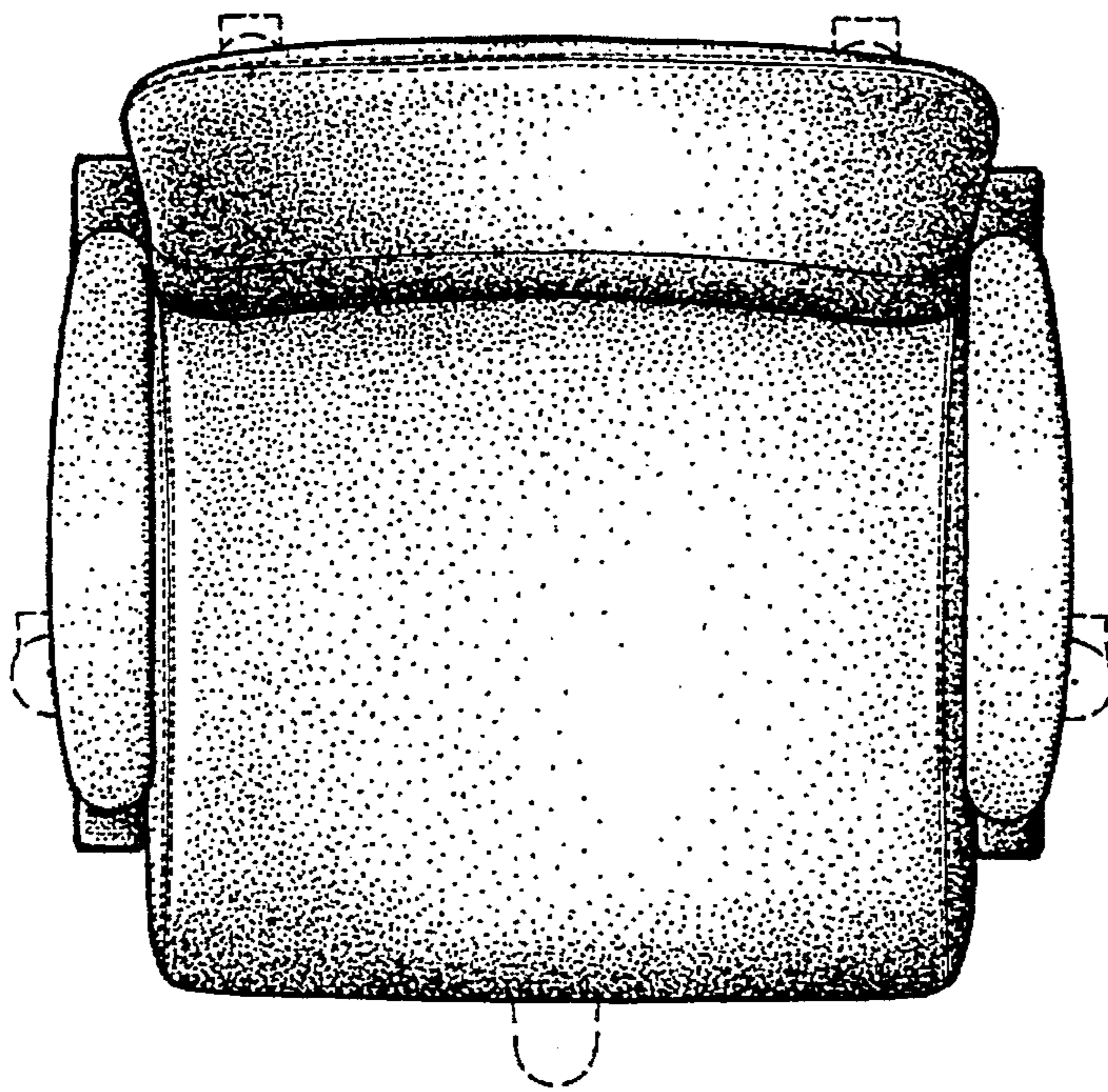


Fig. 4

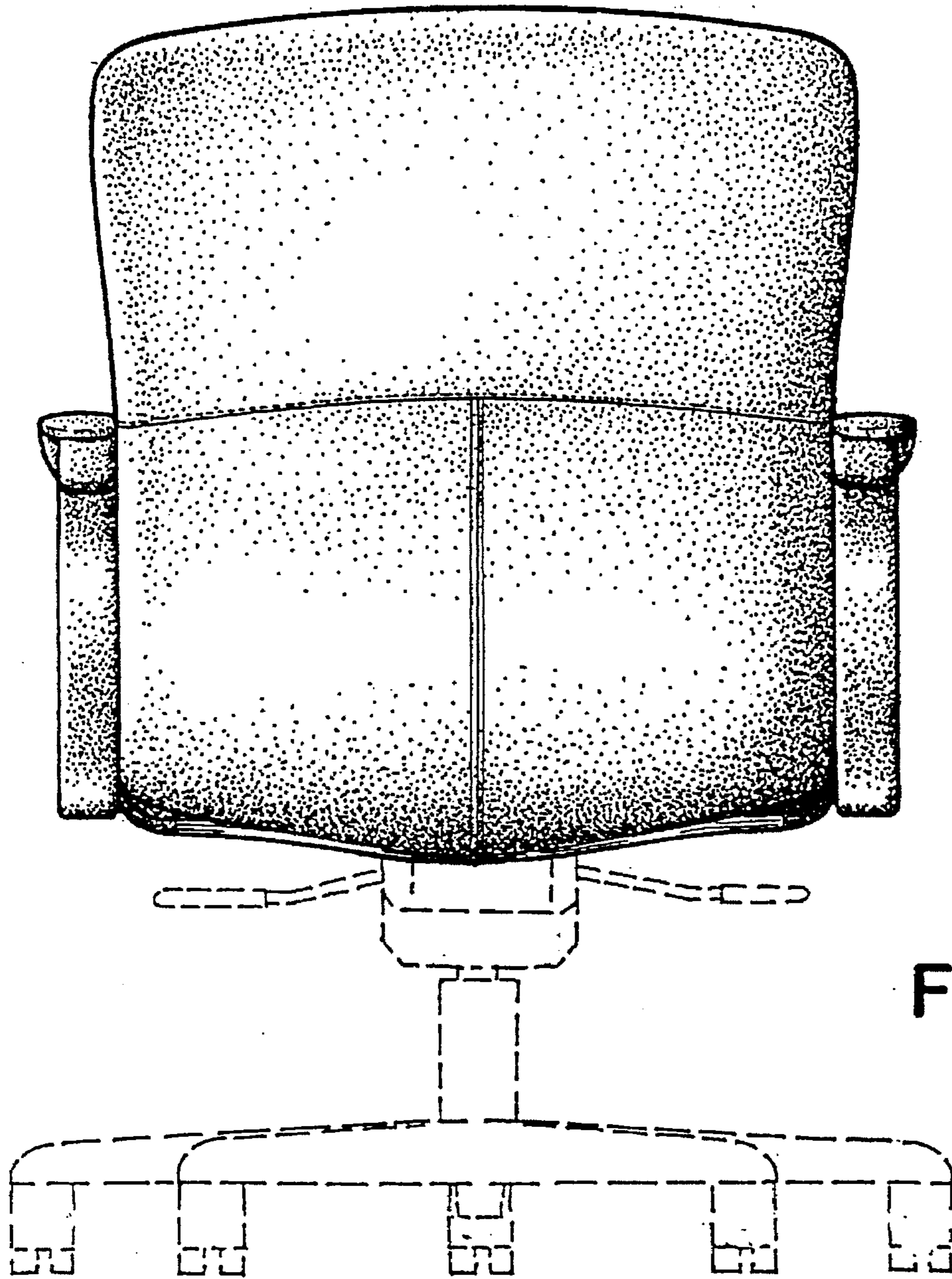


Fig. 5

UNITED STATES PATENT AND TRADEMARK OFFICE  
**CERTIFICATE OF CORRECTION**

PATENT NO. : D. 382,149  
DATED : August 12, 1997  
INVENTORS : F. Dennie Pimental et al.

It is certified that error appears in the above-identified patent and that said Letters Patent is hereby corrected as shown below:

Title page, item [75],

Under the Inventors;

"John W. Duffy" should be --John C. Duffy--.

Title page,

In the description of Fig. 4;

After "and" delete ",".

After the description of Fig 5, insert two paragraphs:

--The broken line showing of a chair base is for environmental purposes only and forms no part of the claimed design.

The broken lines shown on the seat and backrest represent stitching.--

Signed and Sealed this  
Twenty-first Day of October 1997

Attest:



BRUCE LEHMAN

Attesting Officer

Commissioner of Patents and Trademarks