



US00D382148S

United States Patent [19]

Welke et al.

[11] Patent Number: **Des. 382,148**

[45] Date of Patent: ****Aug. 12, 1997**

[54] **TABLE TOP SUPPORT STRUCTURE**

D. 356,900 4/1995 Chesmore D6/388

[76] Inventors: **Beverly A. Welke**, 1250 E. Conner St., Suite A, Noblesville, Ind. 46060; **Keith Hincer**, 5418 Rapidan La., Indianapolis, Ind. 46254

Primary Examiner—Janice E. Seeger
Attorney, Agent, or Firm—Brinks Hofer Gilson & Lione

[**] Term: **14 Years**

[57] **CLAIM**

The ornamental design for a table top support structure, as shown and described.

[21] Appl. No.: **51,360**

DESCRIPTION

[22] Filed: **Mar. 7, 1996**

FIG. 1 is a perspective view of a table top support structure, showing our new design;
FIG. 2 is a top plan view;
FIG. 3 is a front elevational view, the rear being a mirror image thereof;
FIG. 4 is an end elevational view; and,
FIG. 5 is an elevational view, showing the end opposite that in FIG. 4.

[51] LOC (6) Cl. **06-03**

[52] U.S. Cl. **D64/497; D6/451**

[58] Field of Search D6/480-489, 495, D6/497, 450, 451; 248/188, 188.1; 108/153, 156, 161

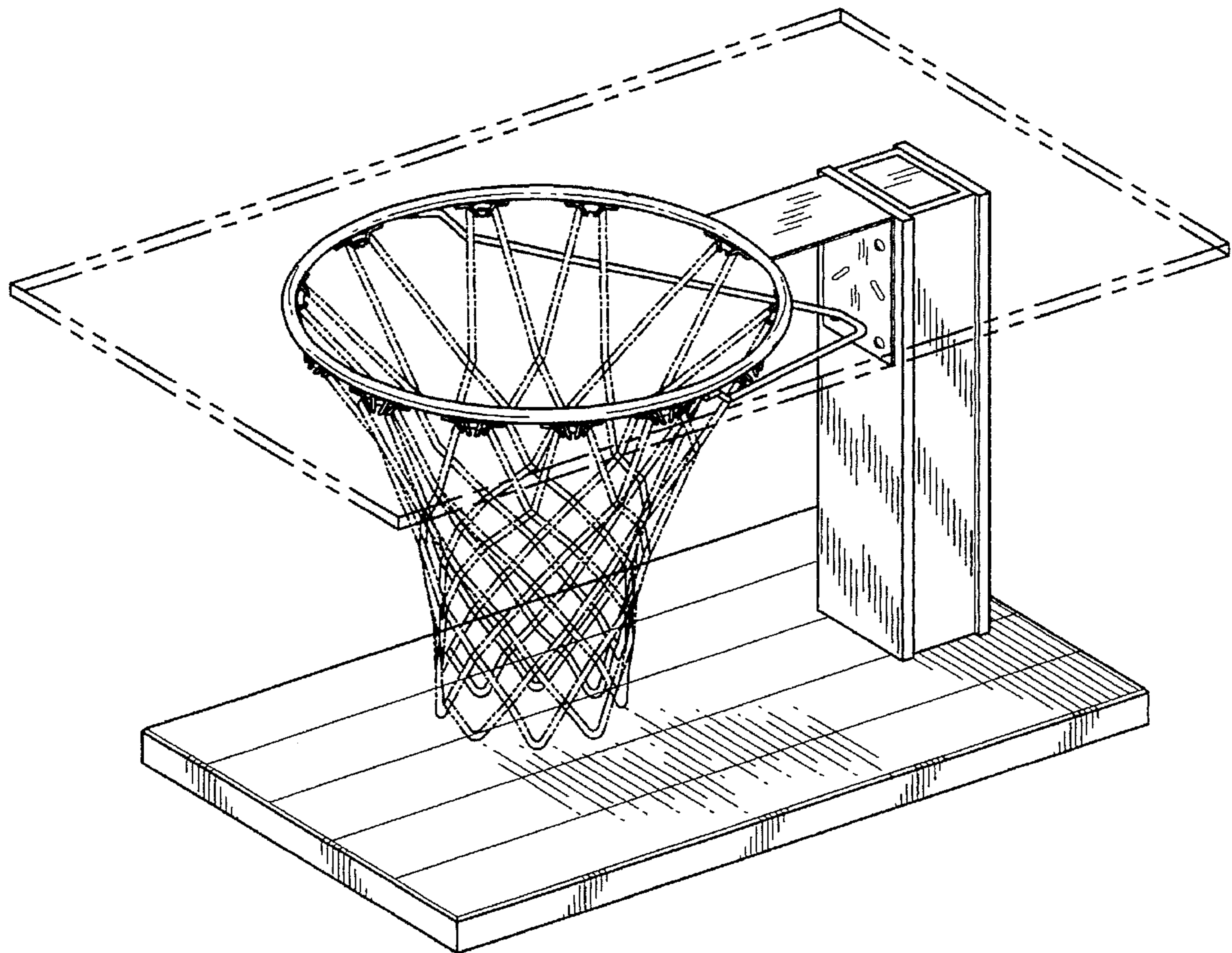
The broken lines are for environmental purposes only and form no part of the claimed design.

[56] **References Cited**

U.S. PATENT DOCUMENTS

- D. 252,599 8/1979 Carter D6/388
- D. 332,881 2/1993 Blackburn et al. D6/450

1 Claim, 3 Drawing Sheets



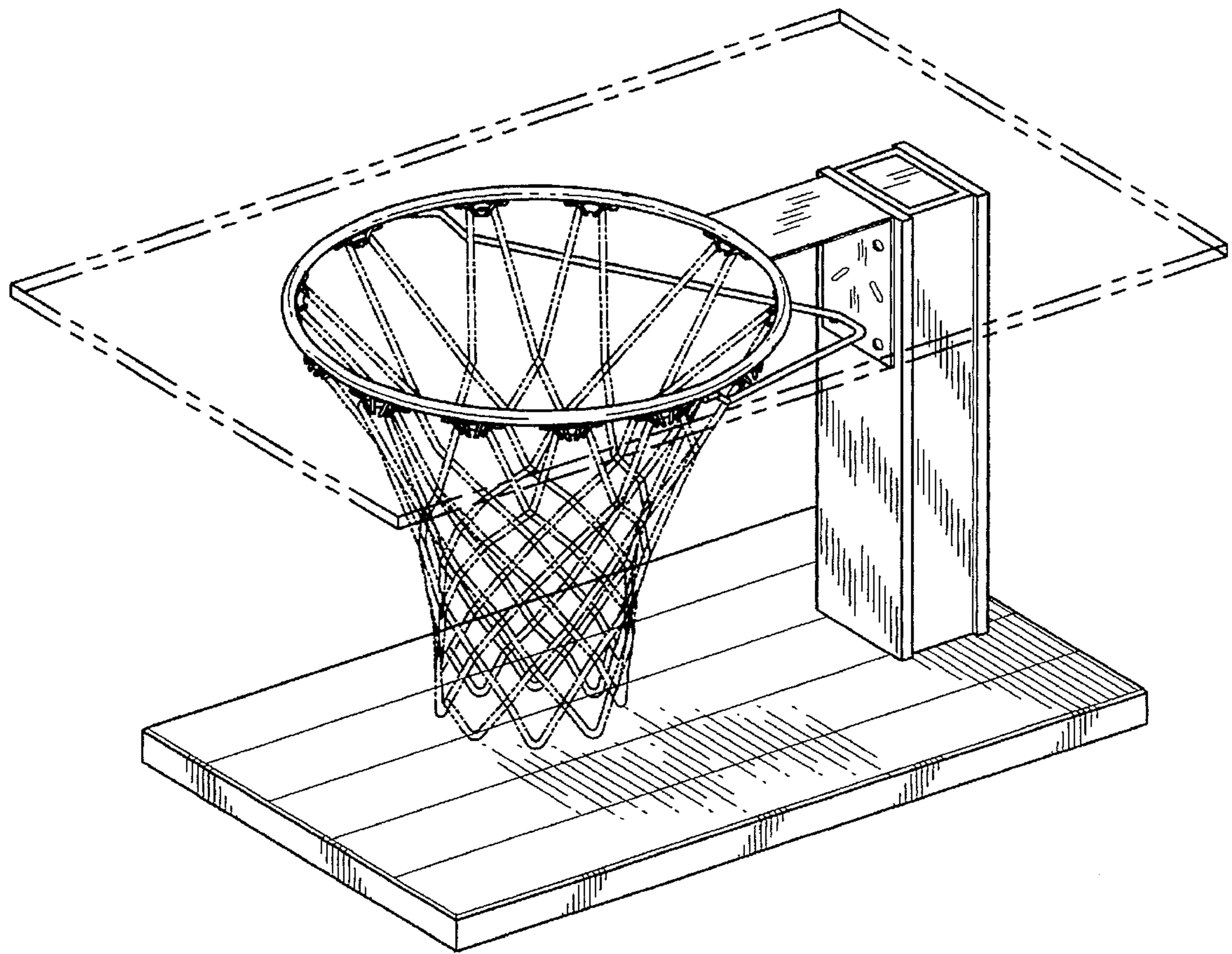


Fig. 1

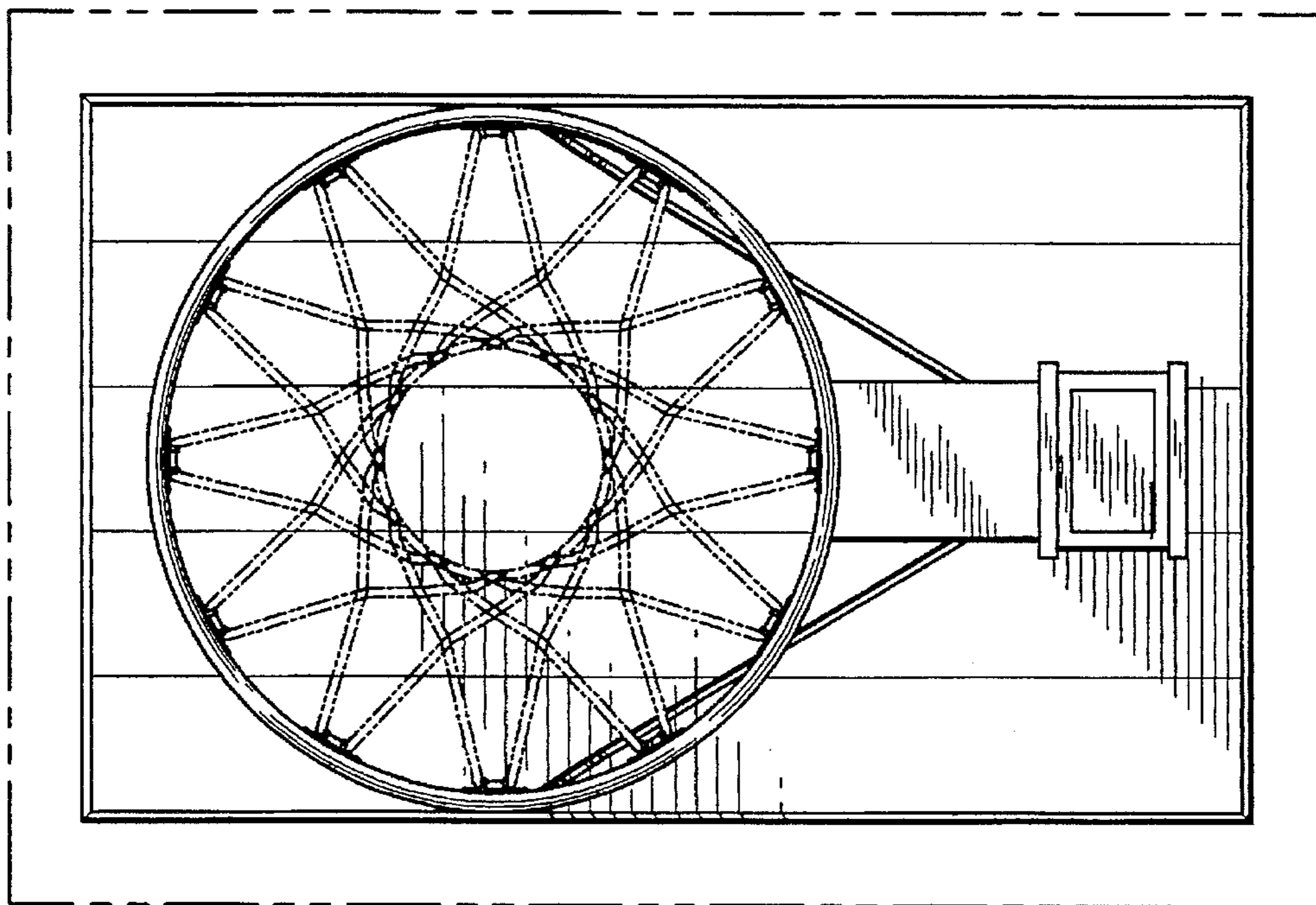


Fig. 2

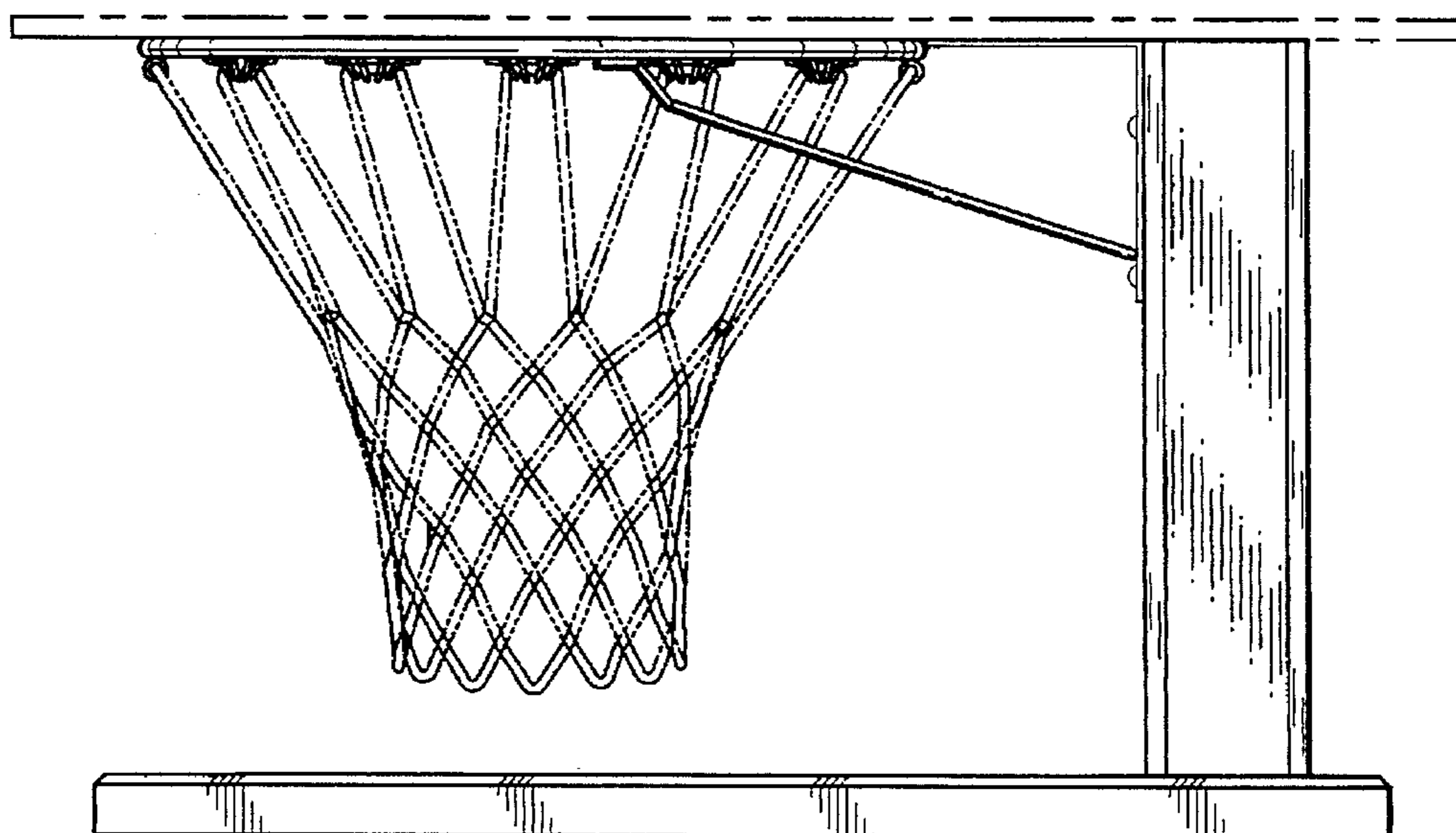


Fig. 3

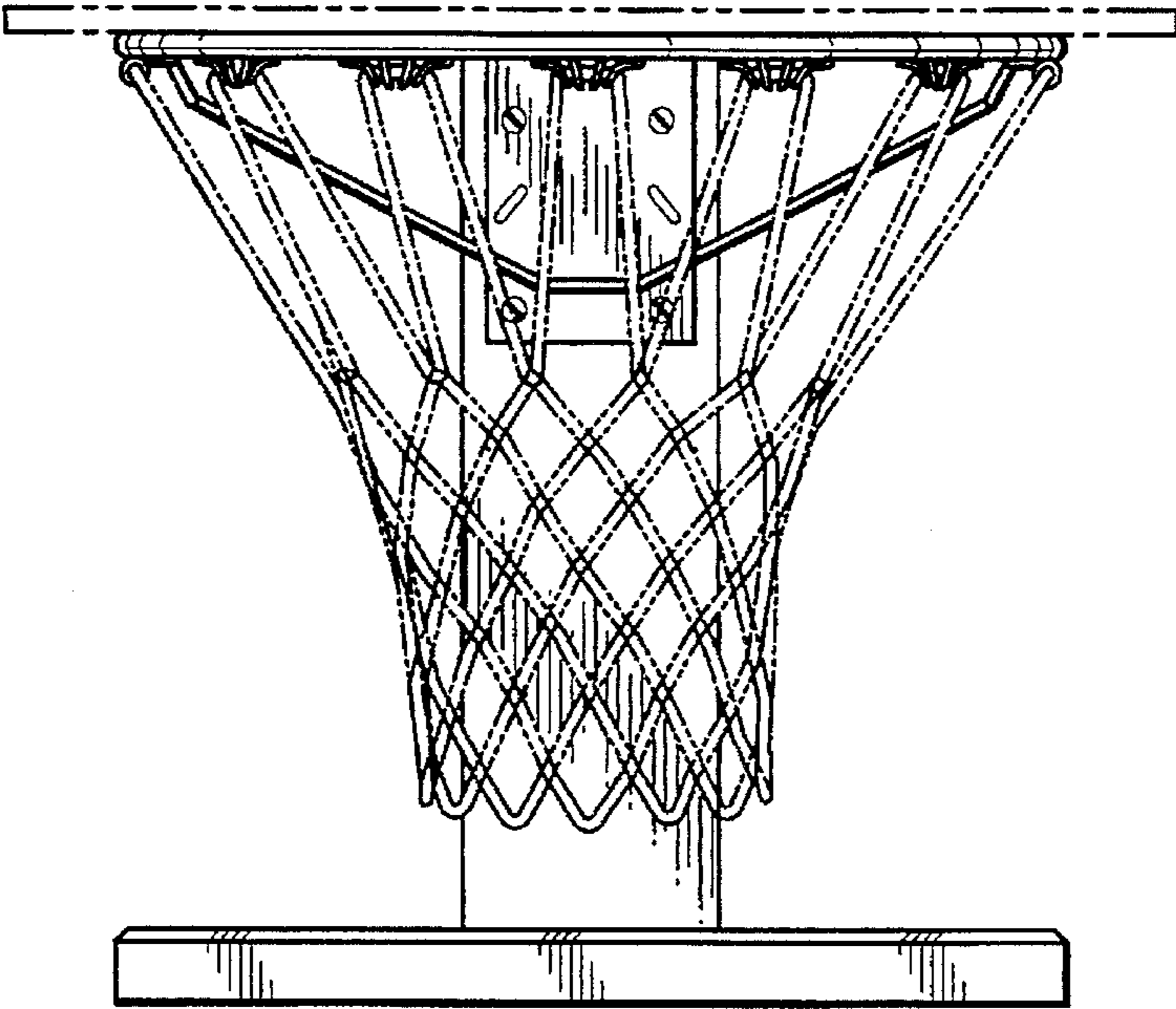


Fig. 4

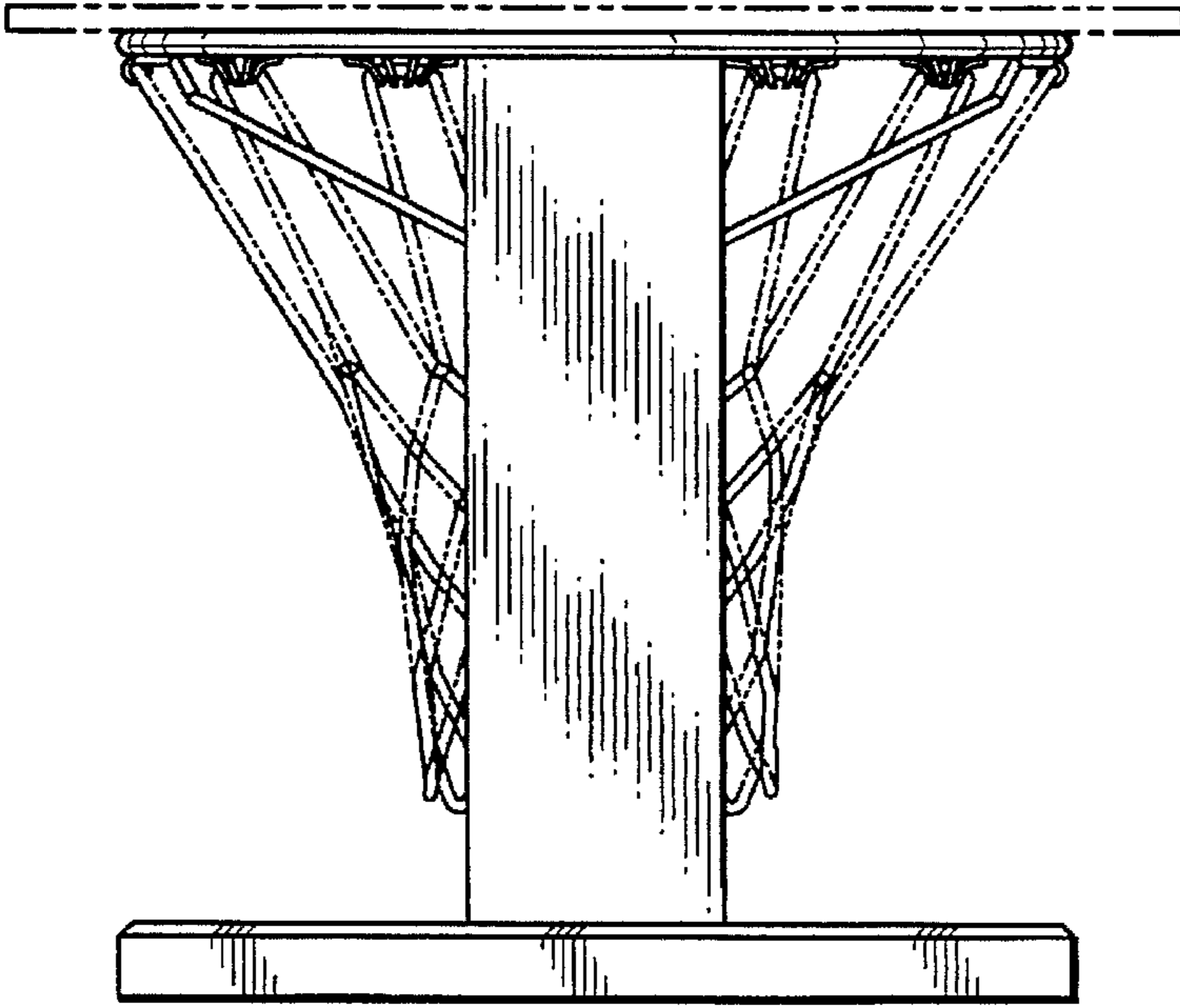


Fig. 5