



US00D382141S

# United States Patent [19] Capeto

[11] Patent Number: Des. 382,141

[45] Date of Patent: \*\*Aug. 12, 1997

[54] LOTTERY TICKET DISPLAY AND VENDING CASE

[76] Inventor: Arthur Capeto, 24 Brackett Ave.,  
Tiverton, R.I. 02878

[\*\*] Term: 14 Years

[21] Appl. No.: 54,226

[22] Filed: May 10, 1996

[51] LOC (6) Cl. .... 06-07

[52] U.S. Cl. .... D6/471

[58] Field of Search ..... D6/470-471, 473,  
D6/472, 474, 436, 559, 561, 475, 476;  
312/114, 116, 118, 284, 102, 234; D20/10;  
248/174; 211/135

[56] **References Cited**

**U.S. PATENT DOCUMENTS**

D. 22,731	8/1893	Shoudy	312/114 X
D. 46,247	8/1914	Curtiss	D6/470
D. 55,490	6/1920	Sherer	D6/471
D. 120,143	4/1940	Shields	D6/471
D. 175,107	7/1955	Gordon	D6/473 X
D. 209,559	12/1967	Anderson	D6/474 X
D. 276,775	12/1984	Antti et al.	D6/471
D. 281,381	11/1985	Moher, Jr. et al.	D6/471
D. 299,093	12/1988	Burdick	D6/474

D. 358,281	5/1995	Moher et al.	D6/471
D. 365,229	12/1995	Story et al.	D6/471
1,573,569	2/1926	Petersen	312/118
2,035,935	3/1936	Allen	211/135 X
2,146,421	2/1939	Davidson	248/174
3,120,076	2/1964	Zuch	312/284 X

**OTHER PUBLICATIONS**

RHC Spacemaster Advertisement, Security Case.  
M.L. Himmel & Son Catalog, p. 40, Cap and Silk Shirt Unit.

*Primary Examiner*—Jeffrey Asch  
*Attorney, Agent, or Firm*—Robert J. Doherty

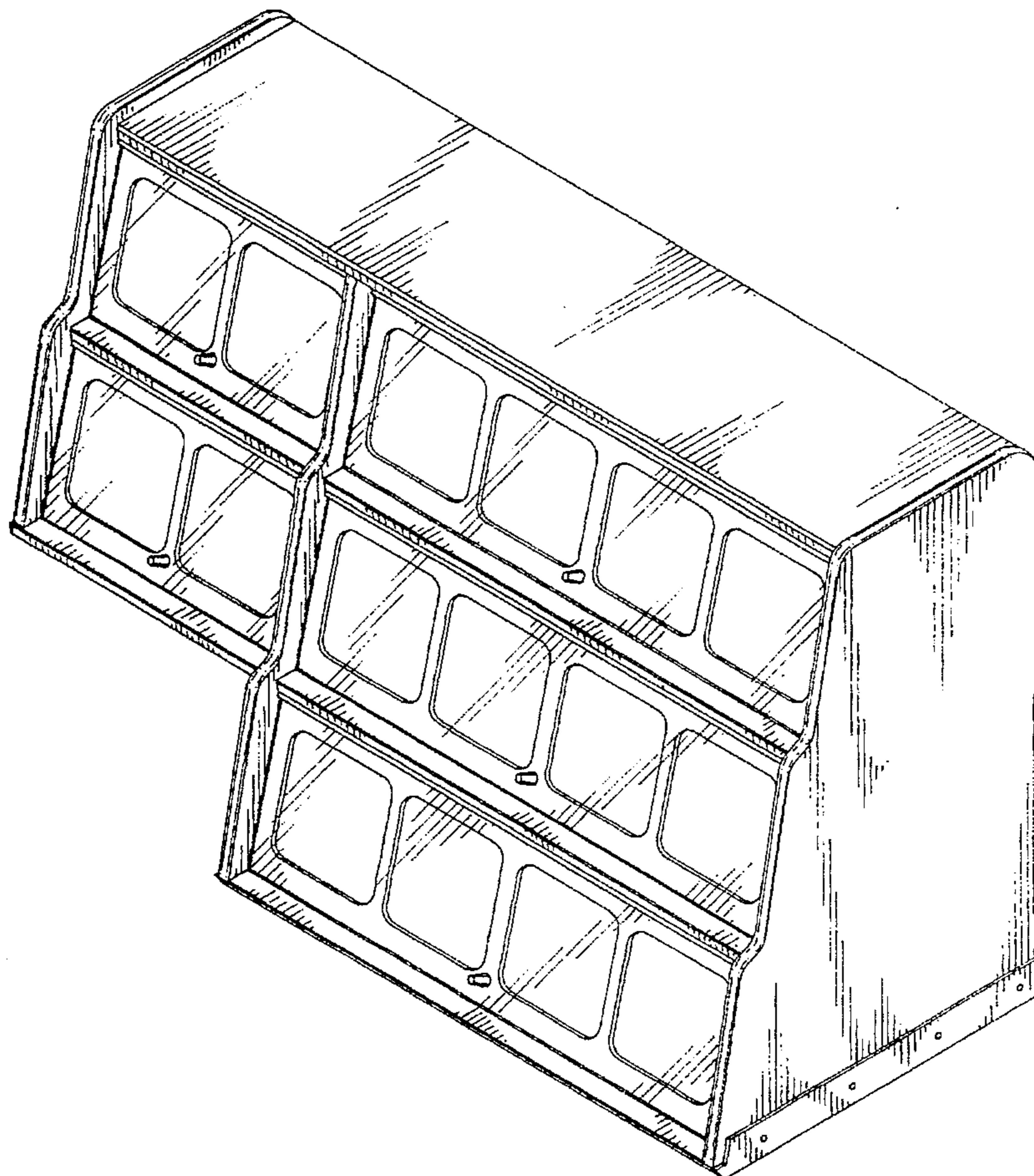
[57] **CLAIM**

The ornamental design for a lottery ticket display and vending case, as shown.

**DESCRIPTION**

FIG. 1 is a front perspective view of a lottery ticket display and vending case showing my new design; FIG. 2 is a front elevational view thereof; FIG. 3 is a rear elevational view thereof; FIG. 4 is a right side elevational view thereof; FIG. 5 is a left side elevational view thereof; FIG. 6 is a top plan view thereof; and, FIG. 7 is a bottom plan view thereof.

**1 Claim, 4 Drawing Sheets**



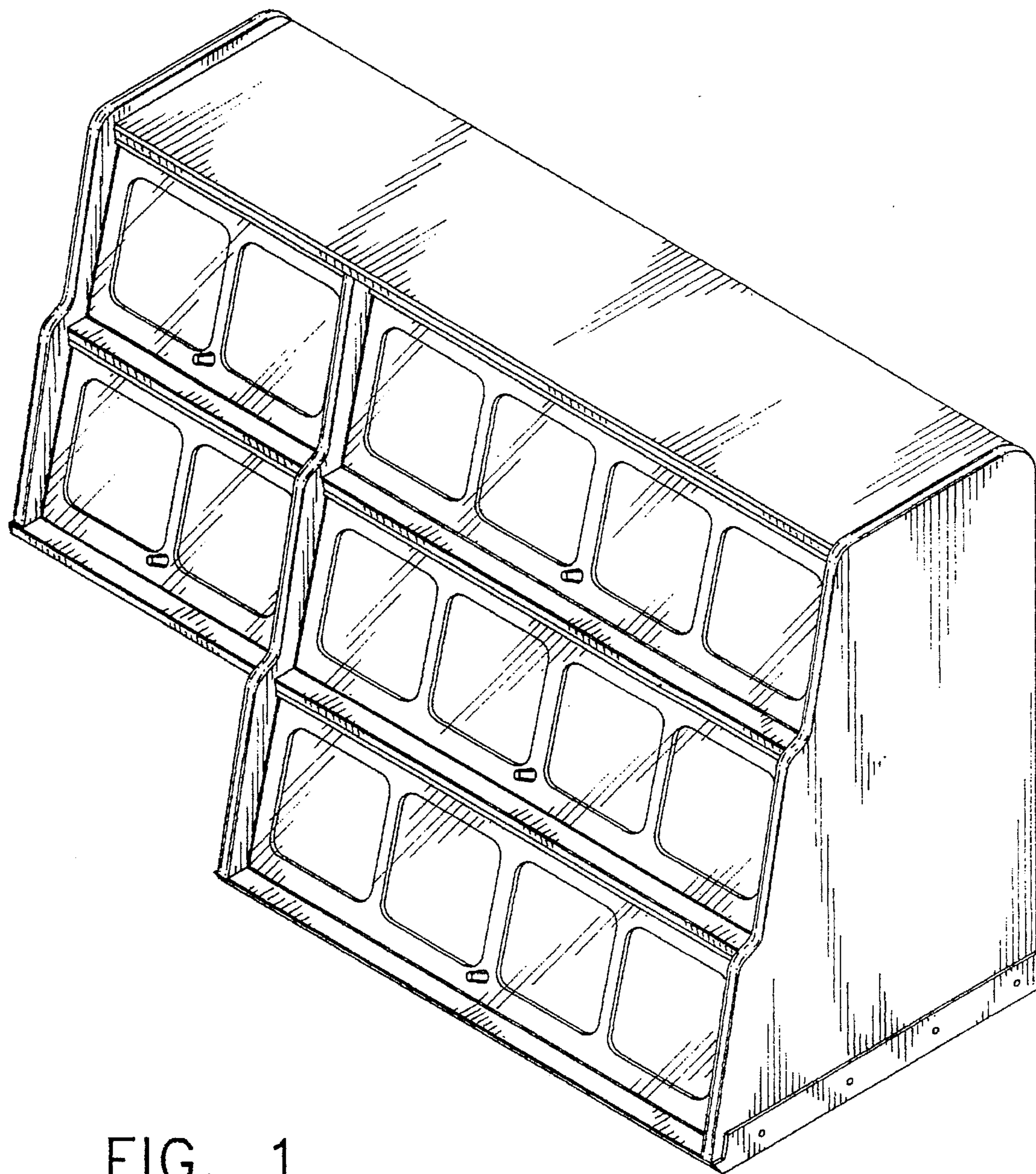


FIG. 1

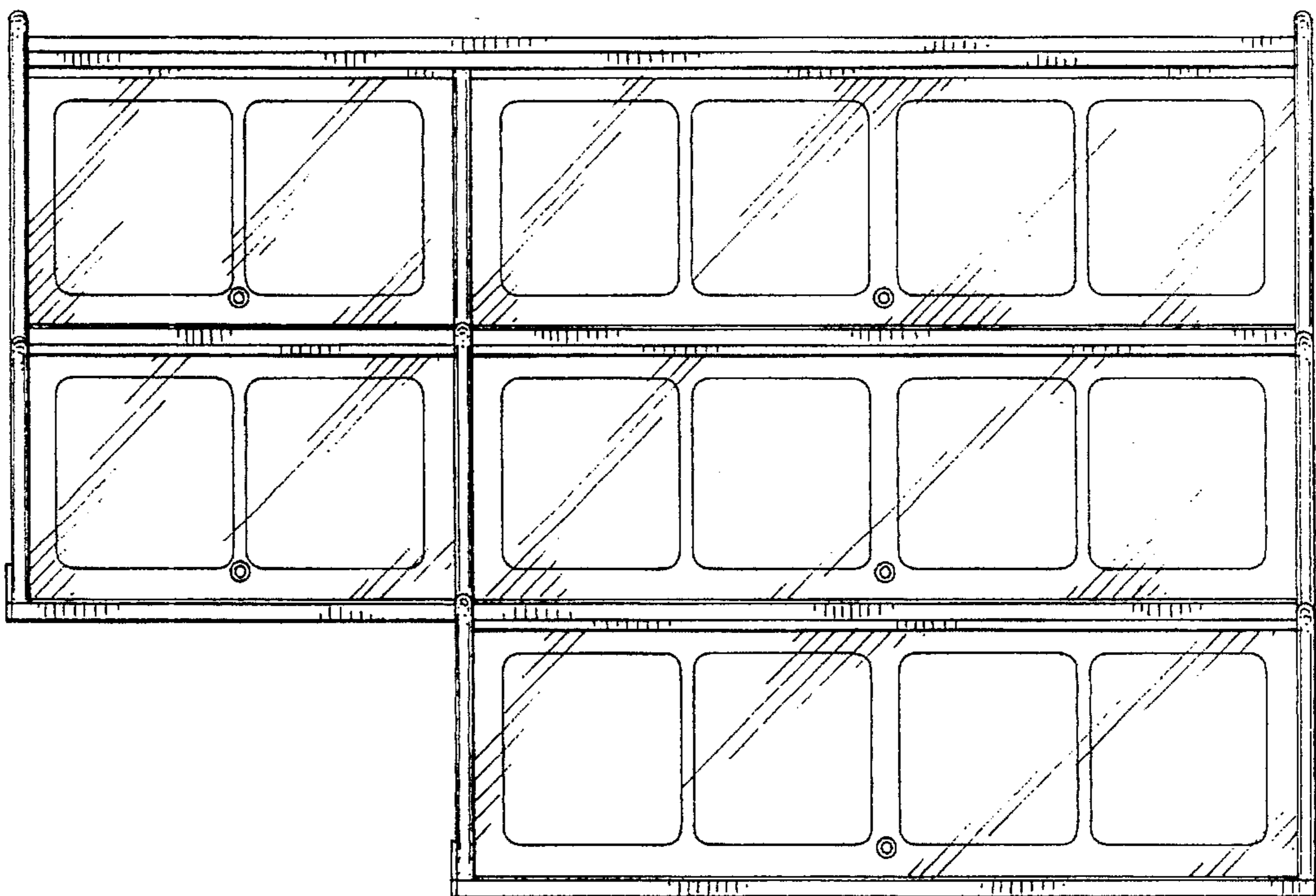


FIG. 2

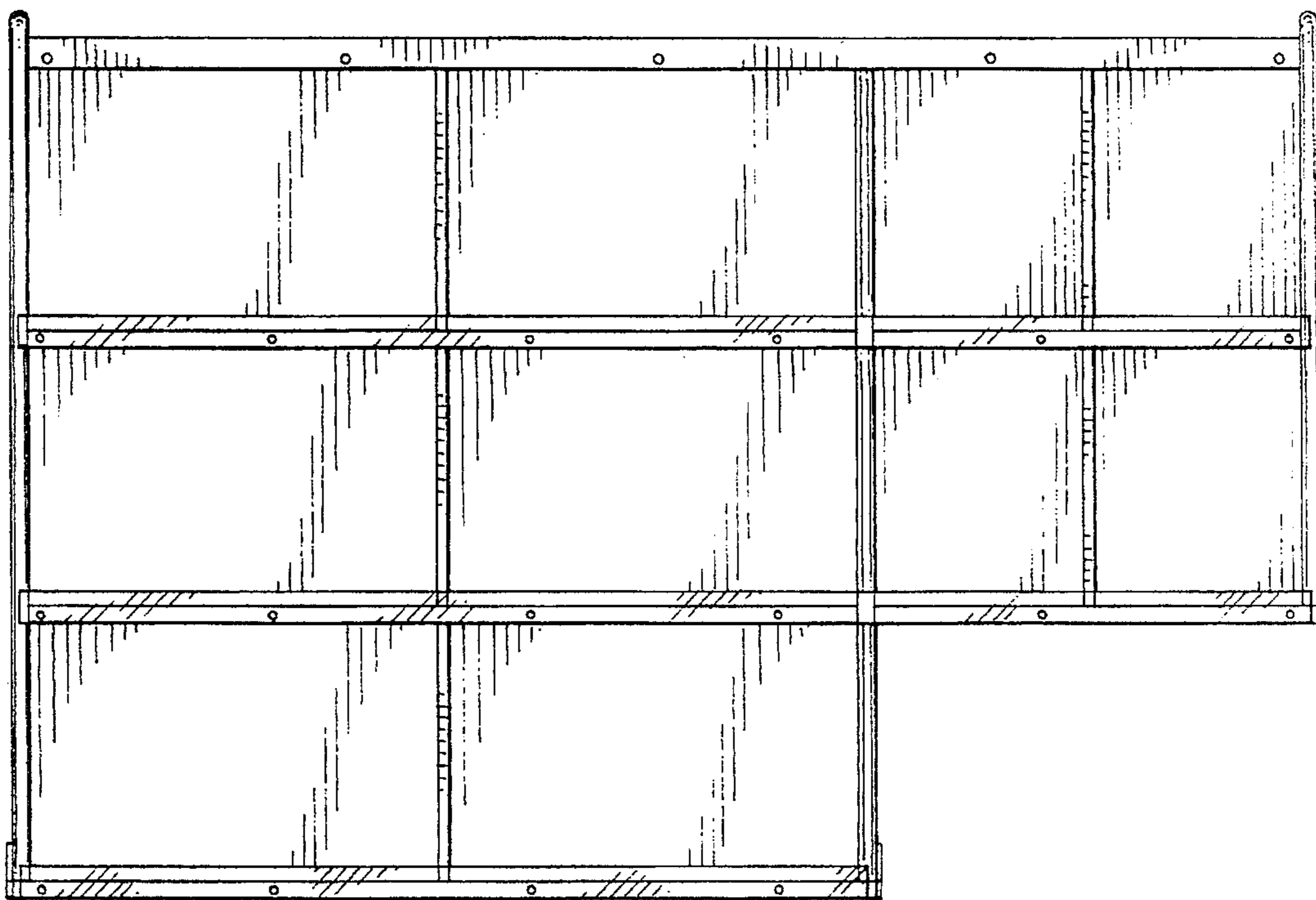


FIG. 3

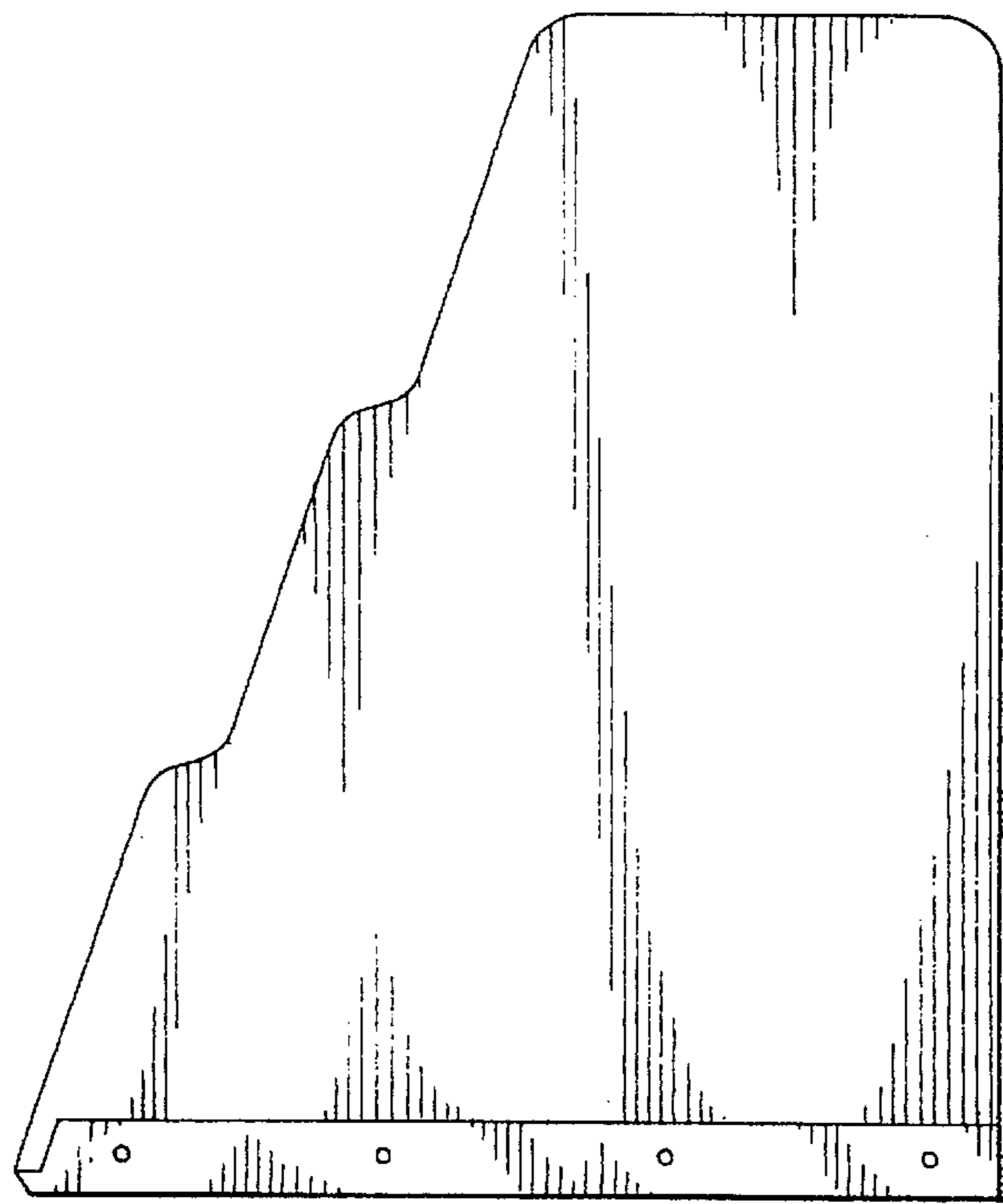


FIG. 4

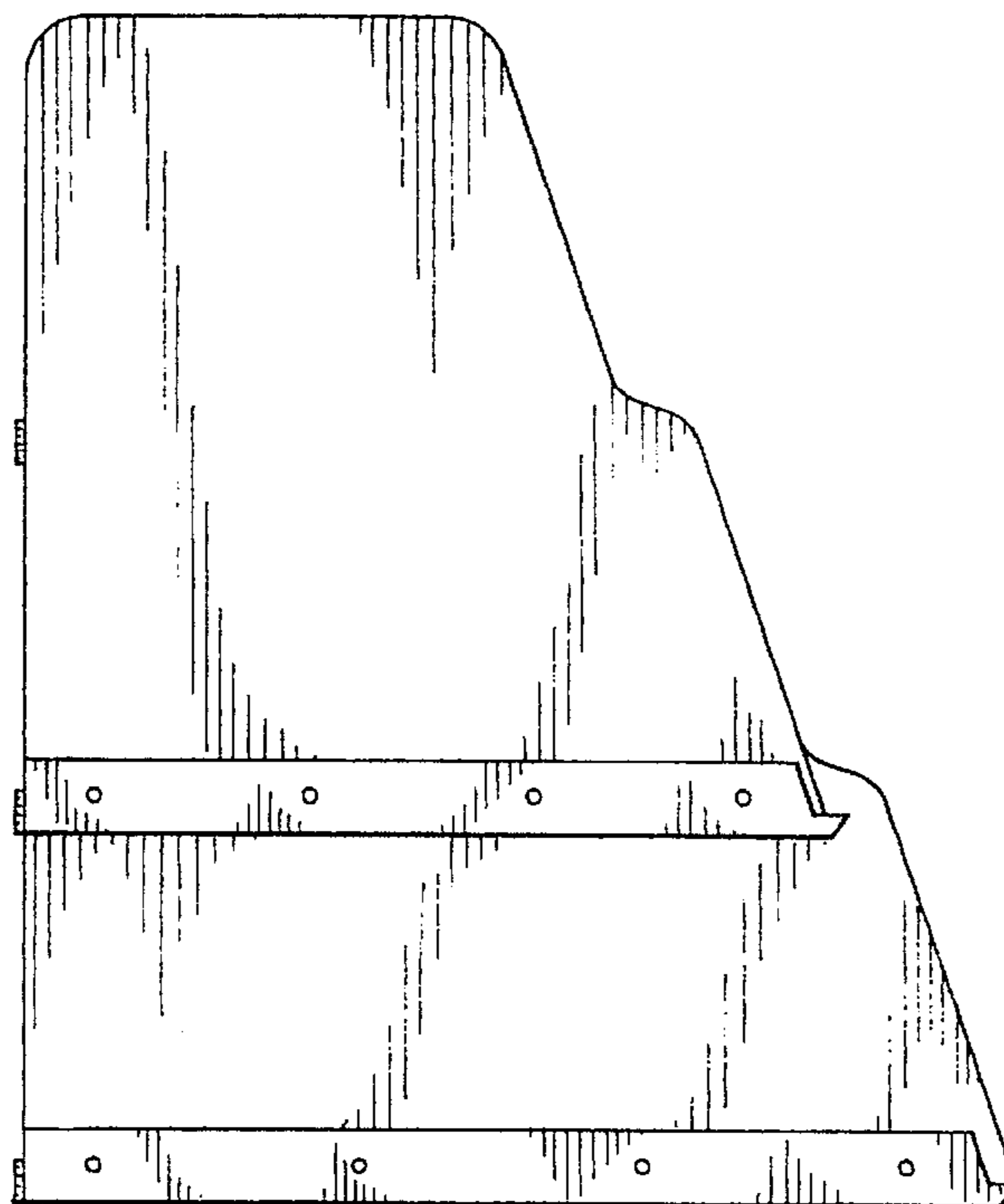


FIG. 5

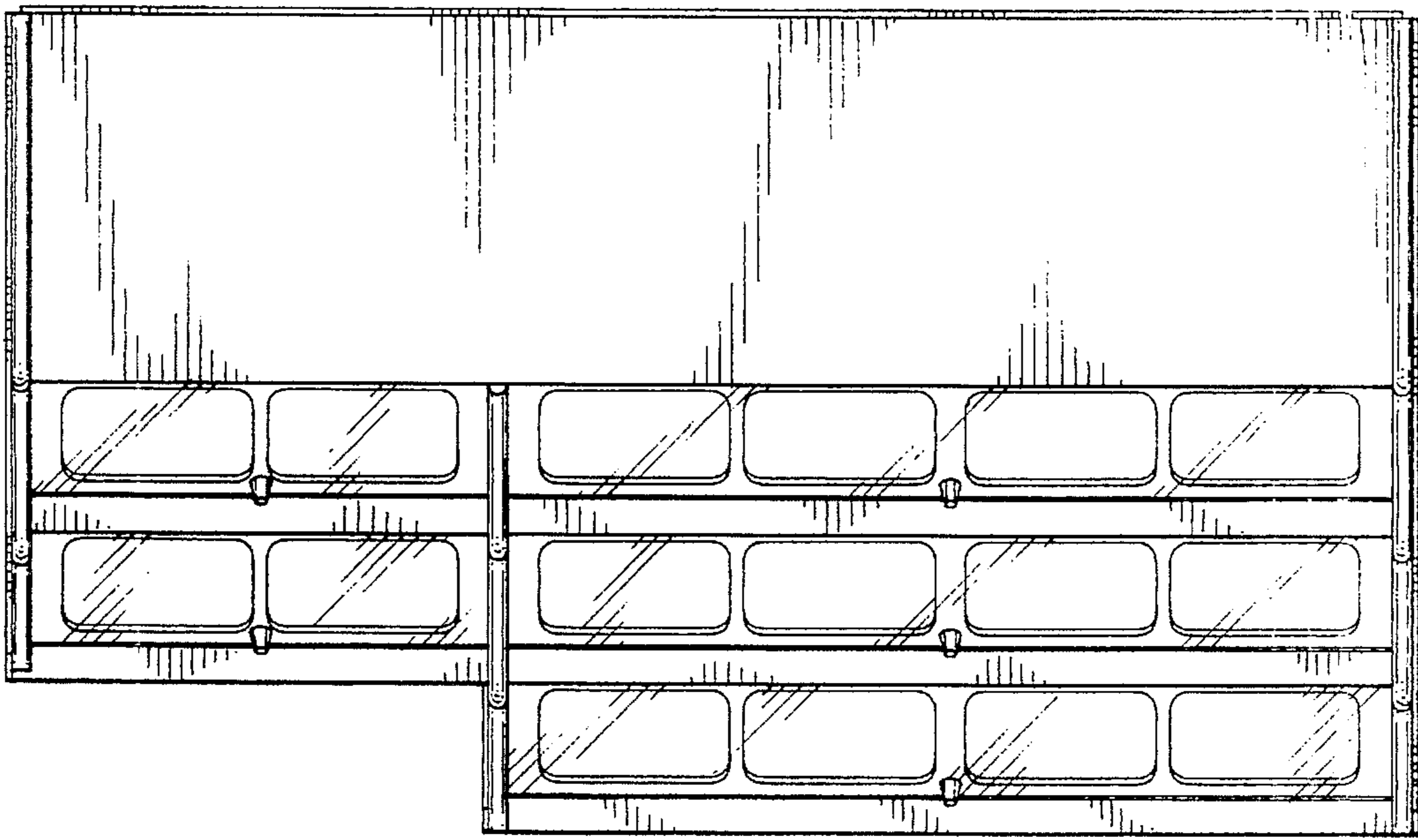


FIG. 6

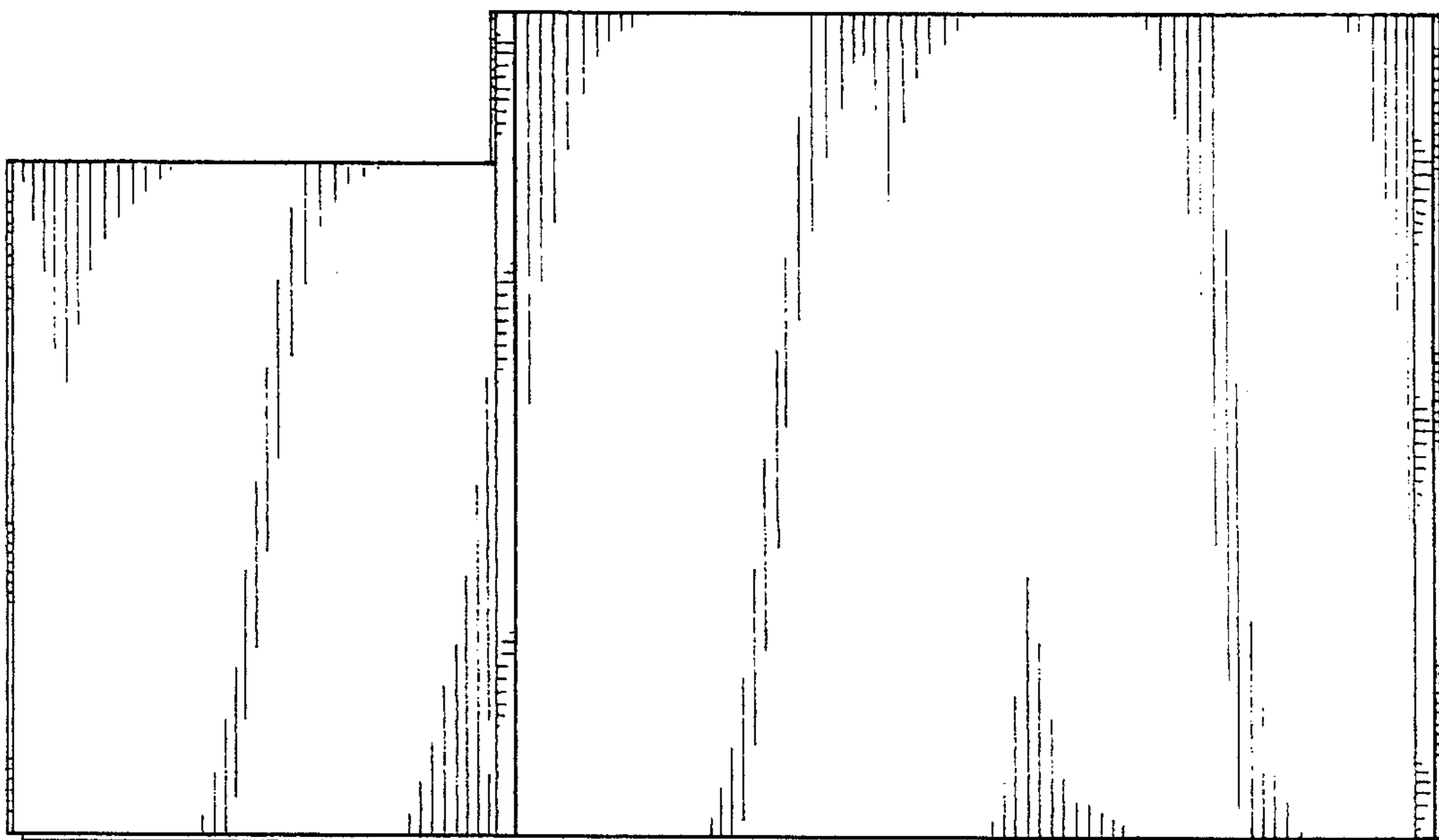


FIG. 7