



US00D382135S

United States Patent [19]

[11] Patent Number: **Des. 382,135**

Brunner et al.

[45] Date of Patent: ****Aug. 12, 1997**

[54] **DRESSER**

| | | | | |
|------------|---------|----------------|-------|--------|
| D. 357,602 | 4/1995 | Brunner et al. | | D6/446 |
| D. 363,392 | 10/1995 | Paus | | D6/439 |
| D. 365,464 | 12/1995 | Brunner et al. | | D6/439 |

[75] Inventors: **Merlin A. Brunner**, Appleton; **Harvey J. Draheim**, Weyauwega, both of Wis.

OTHER PUBLICATIONS

[73] Assignee: **Simmons Juvenile Products Company, Inc.**, New London, Wis.

Simmons Juvenile Products Company, Inc. 1995 Catalog: Combo Unit 1931.

[**] Term: **14 Years**

Primary Examiner—Carmen H. Vales-Lado
Attorney, Agent, or Firm—Hoffmann & Baron

[21] Appl. No.: **55,092**

[57] CLAIM

[22] Filed: **May 29, 1996**

The ornamental design for a dresser, as shown and described.

[51] LOC (6) Cl. **06-04**

[52] U.S. Cl. **D6/439**

[58] Field of Search D6/432-448; 312/204, 312/201, 257

DESCRIPTION

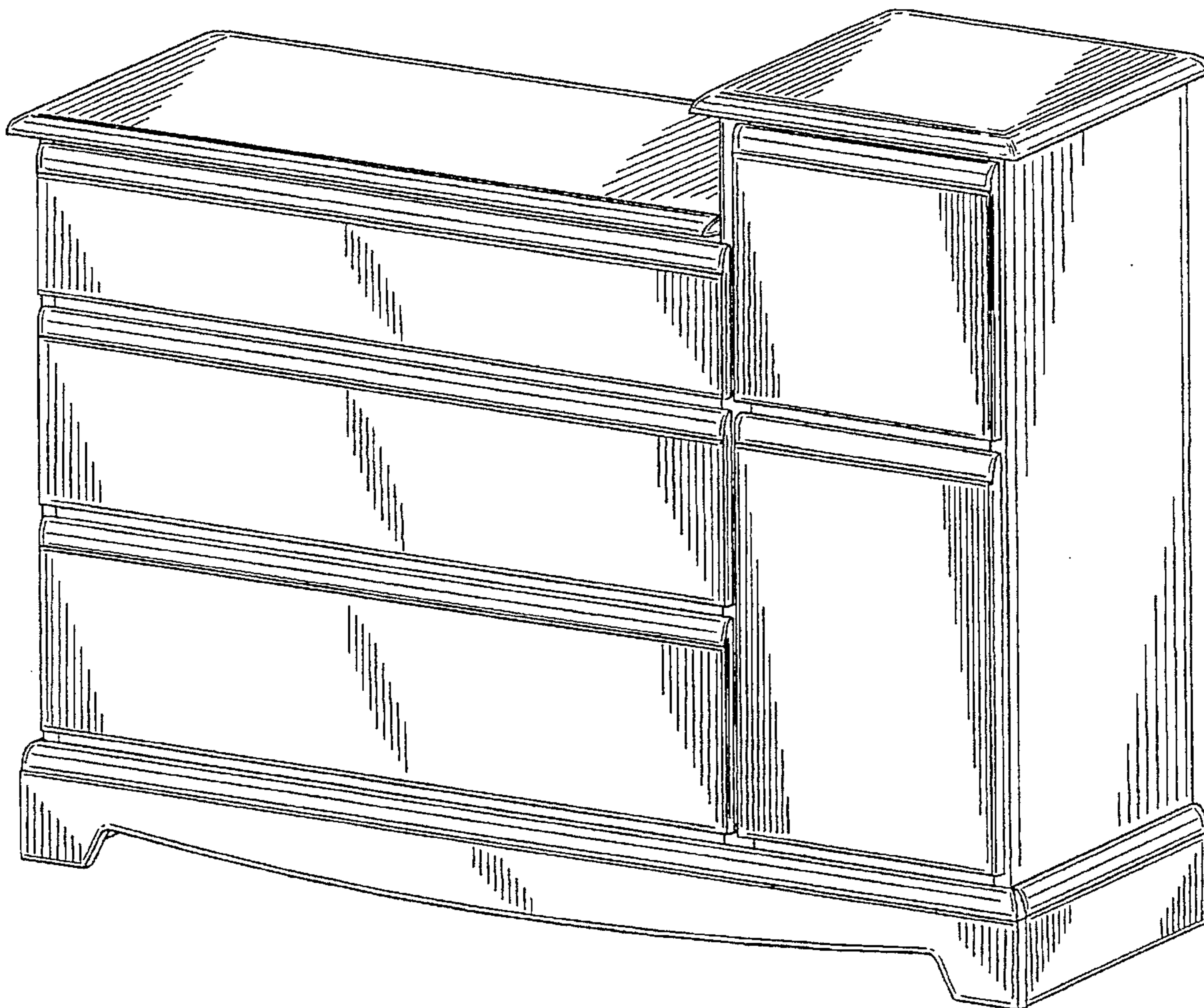
[56] References Cited

U.S. PATENT DOCUMENTS

| | | | | |
|------------|---------|----------------|-------|----------|
| D. 170,021 | 7/1953 | Herrmann | | D6/439 |
| D. 172,995 | 9/1954 | Silverman | | D6/439 X |
| D. 173,834 | 1/1955 | Burnett | | D6/438 |
| D. 183,787 | 10/1958 | Carter et al. | | D6/439 |
| D. 185,769 | 7/1959 | Brunner et al. | | D6/439 |
| D. 222,080 | 9/1971 | Carlson | | D6/446 |
| D. 274,963 | 8/1984 | Brunner et al. | | D6/446 |
| D. 310,756 | 9/1990 | Pauer et al. | | D6/445 |

FIG. 1 is a top perspective view of a dresser showing our new design;
 FIG. 2 is a top plan view thereof;
 FIG. 3 is a front elevation view thereof;
 FIG. 4 is a right side elevational view thereof;
 FIG. 5 is a left side elevational view thereof;
 FIG. 6 is a rear elevation view thereof;
 FIG. 7 is a bottom plan view thereof; and,
 FIG. 8 is an enlarged sectional view taken along line 8—8 of FIG. 3.

1 Claim, 8 Drawing Sheets



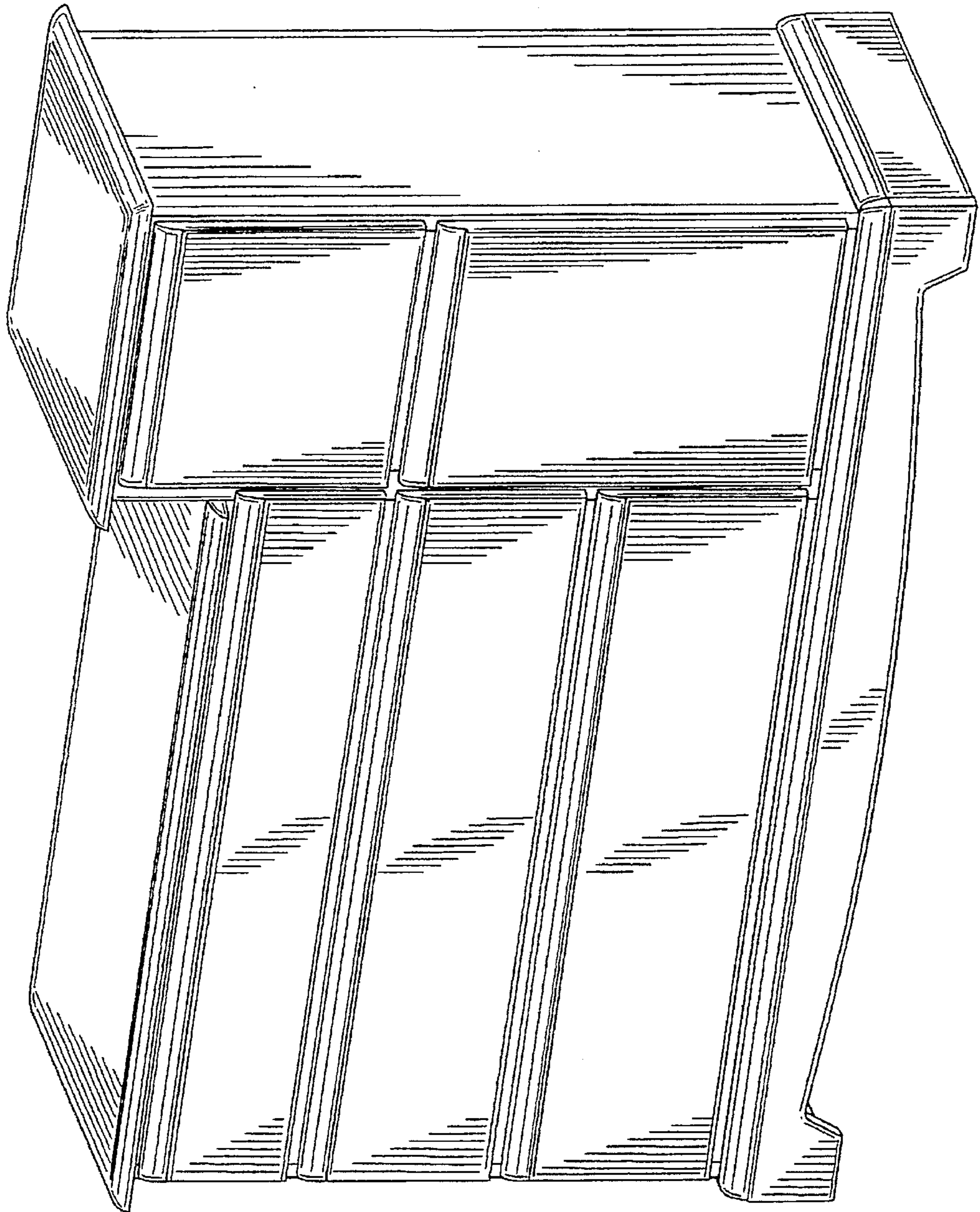
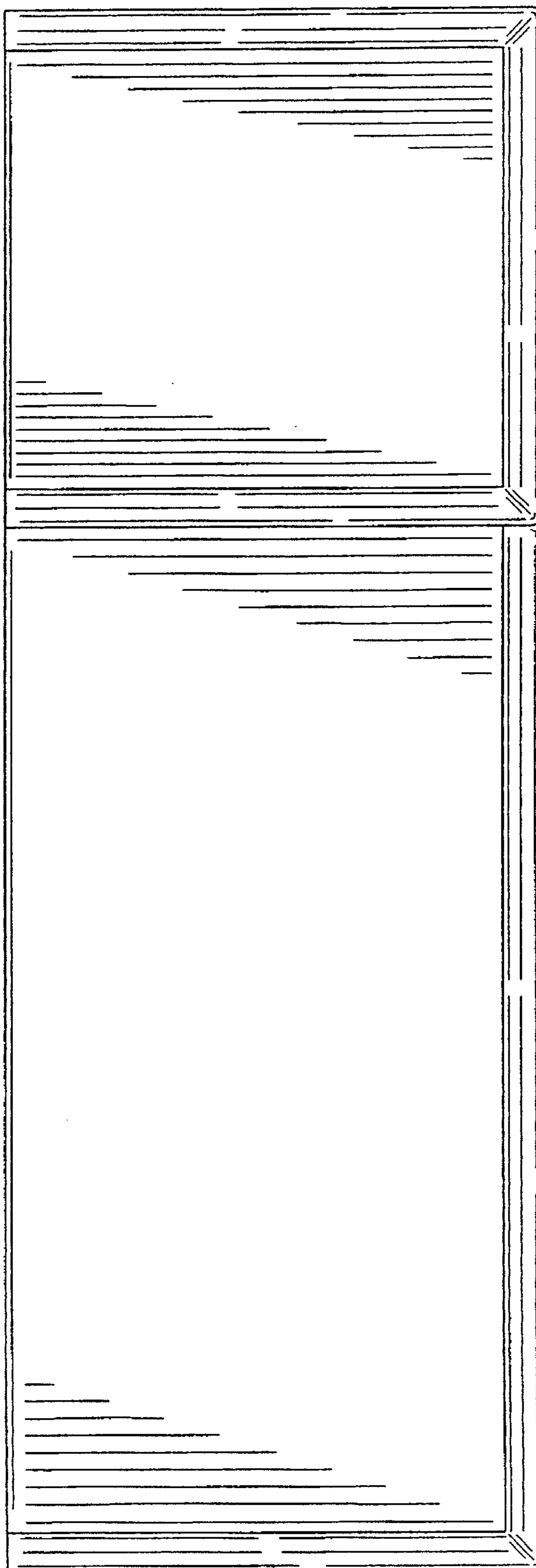


FIG-1

FIG-2



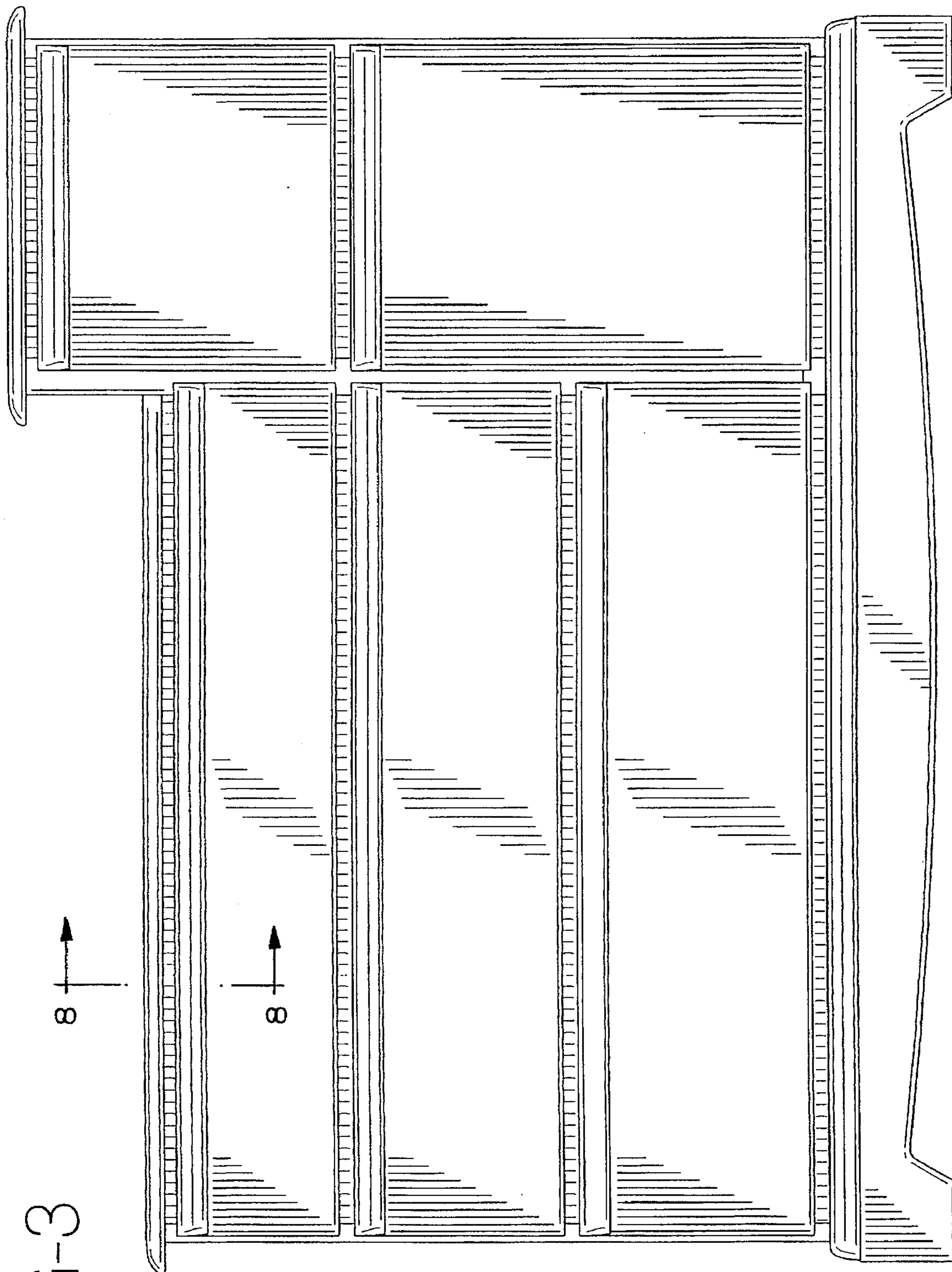


FIG-3

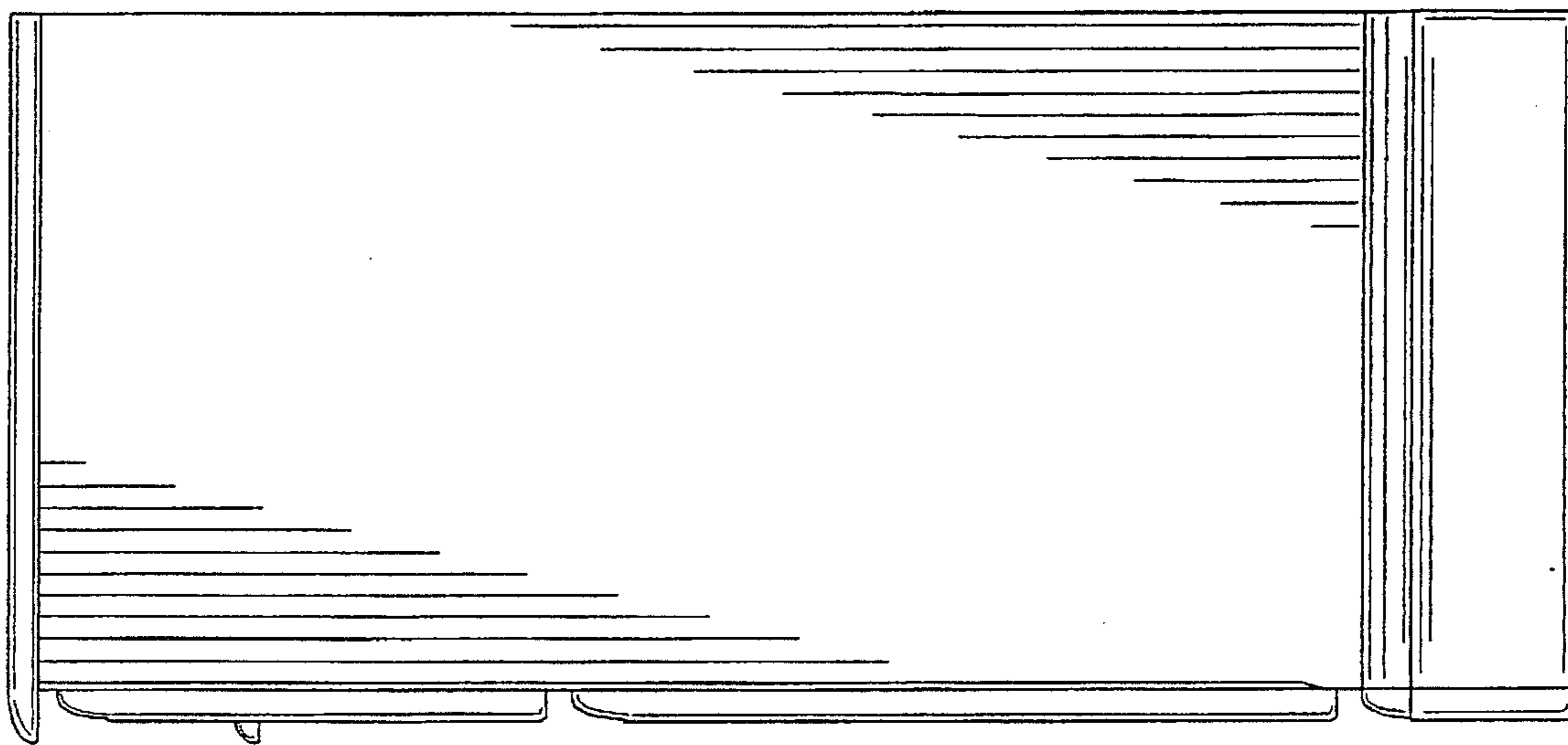


FIG-4

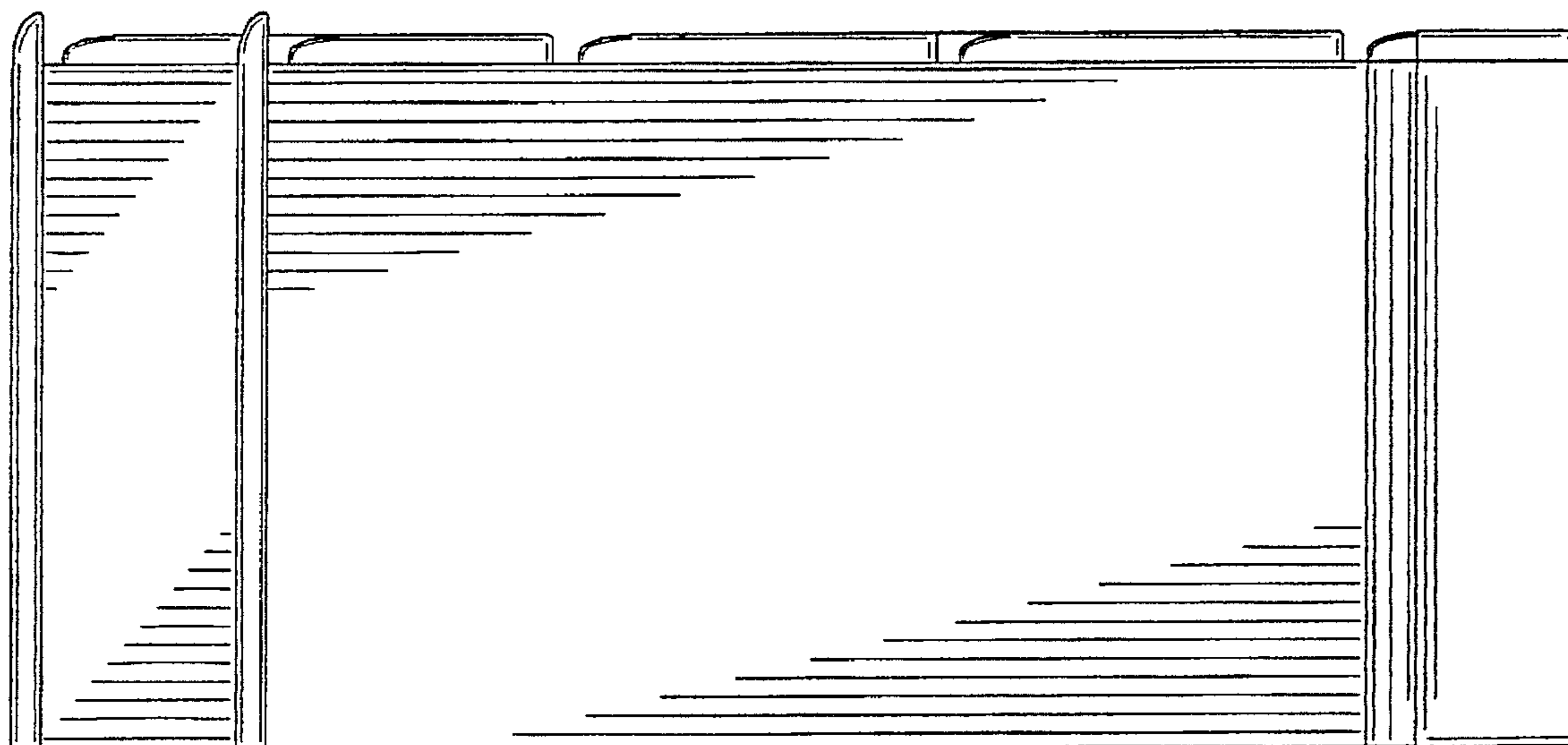


FIG-5

FIG-6

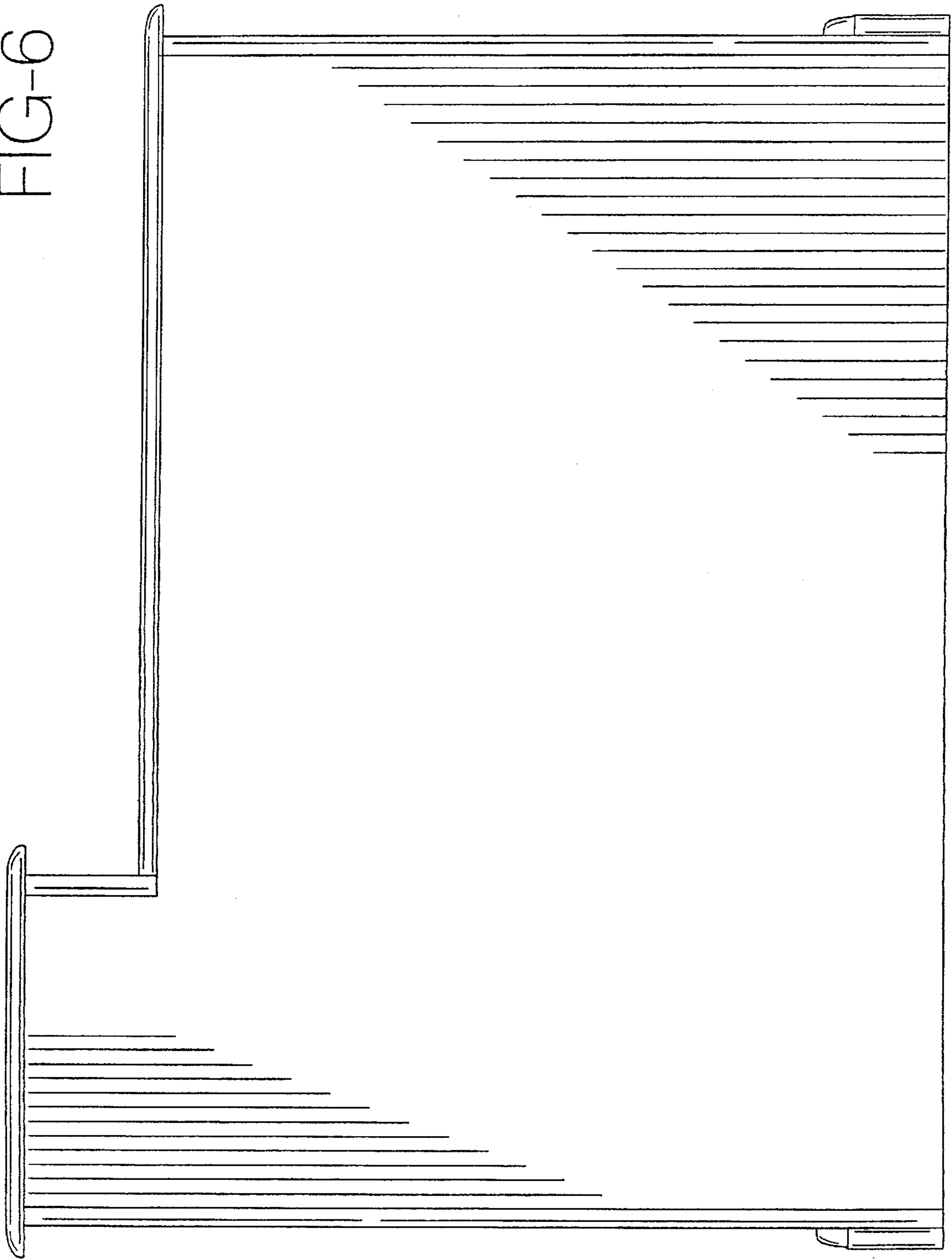
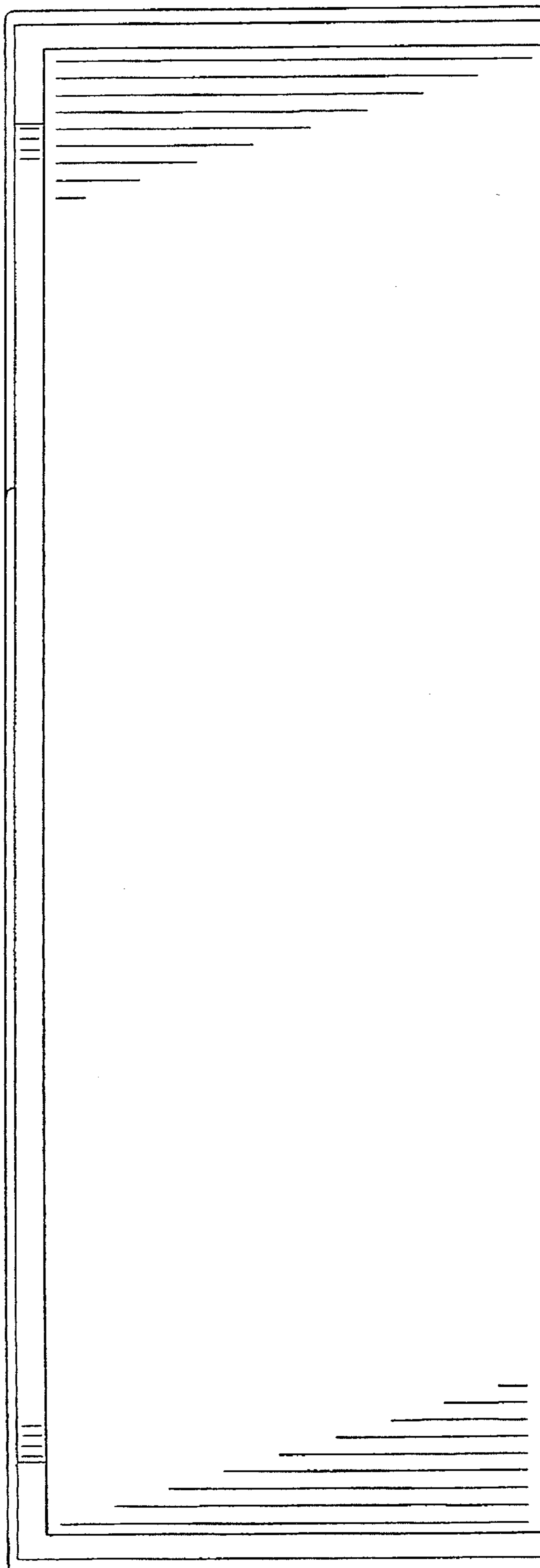


FIG-7



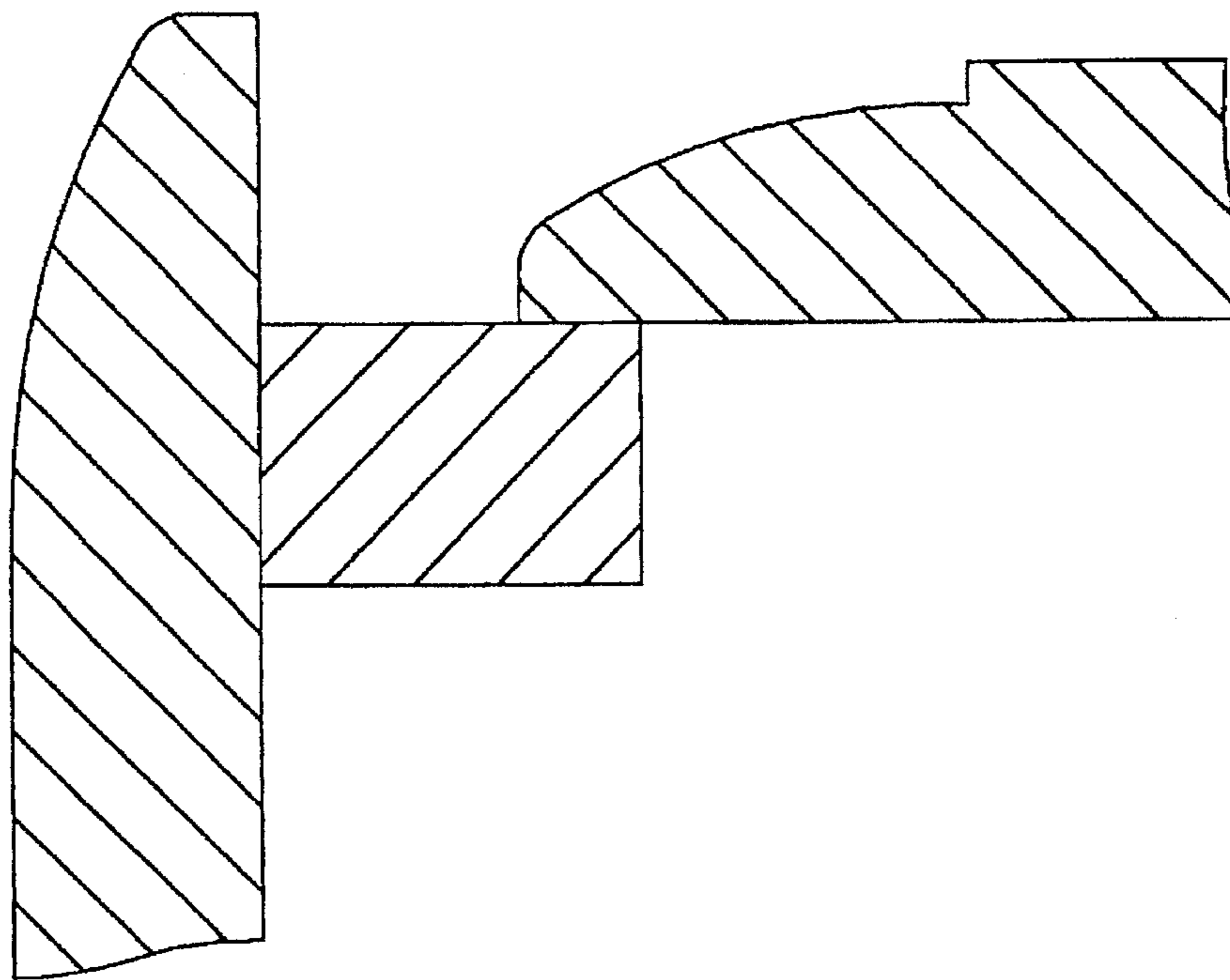


FIG-8