



US00D382125S

United States Patent [19]

[11] Patent Number: **Des. 382,125**

Chuang

[45] Date of Patent: ****Aug. 12, 1997**

[54] **FOOTBOARD**

5,348,377 9/1994 Grosch 297/423.45

[76] Inventor: **Kuo-Hsien Chuang**, 5F, No. 22,
Hsin-Ming Rd., Nei Hu, Taipei, Taiwan

Primary Examiner—Janice E. Seeger
Attorney, Agent, or Firm—Beveridge, DeGrandi, Weilacher
& Young LLP

[**] Term: **14 Years**

[57] CLAIM

[21] Appl. No.: **49,693**

The ornamental design for footboard, as shown and described.

[22] Filed: **Jan. 29, 1996**

DESCRIPTION

[51] LOC (6) Cl. **06-01**

[52] U.S. Cl. **D6/353; D6/349**

[58] Field of Search D6/349, 352, 353,
D6/355; D21/191; 297/461, 462, 423.39,
423.41, 423.43, 423.44, 423.45, 423.46

FIG. 1 is the perspective view of a "footboard" showing my new design;

FIG. 2 is the front elevational view thereof;

FIG. 3 is the rear elevational view thereof;

FIG. 4 is the left side elevational view thereof;

FIG. 5 is the right side elevational view thereof;

FIG. 6 is the top plan view thereof; and,

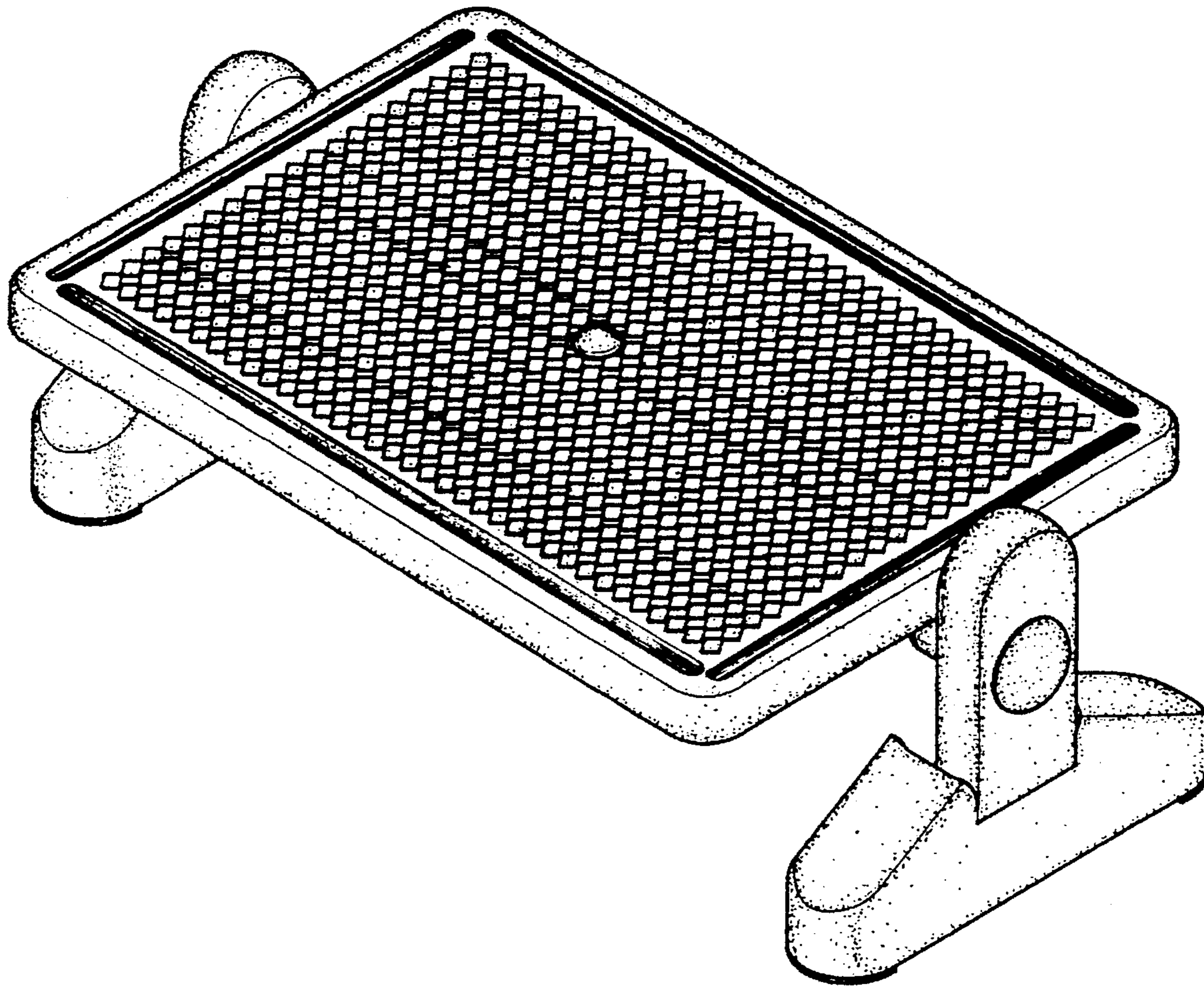
FIG. 7 is the bottom plan view thereof.

[56] References Cited

U.S. PATENT DOCUMENTS

D. 244,893 7/1977 Diehl D6/353
D. 343,960 2/1994 Leduc D6/349

1 Claim, 7 Drawing Sheets



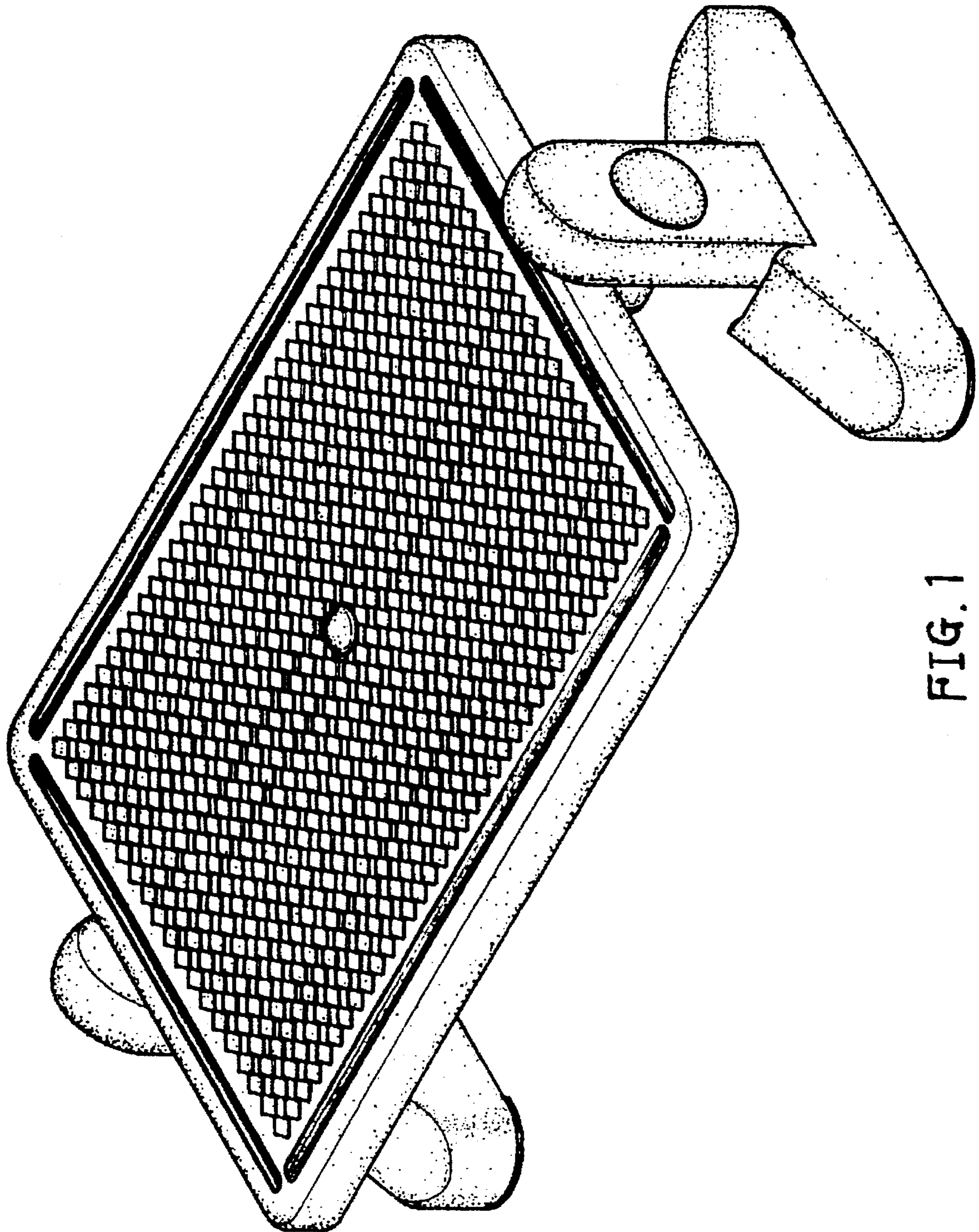


FIG. 1

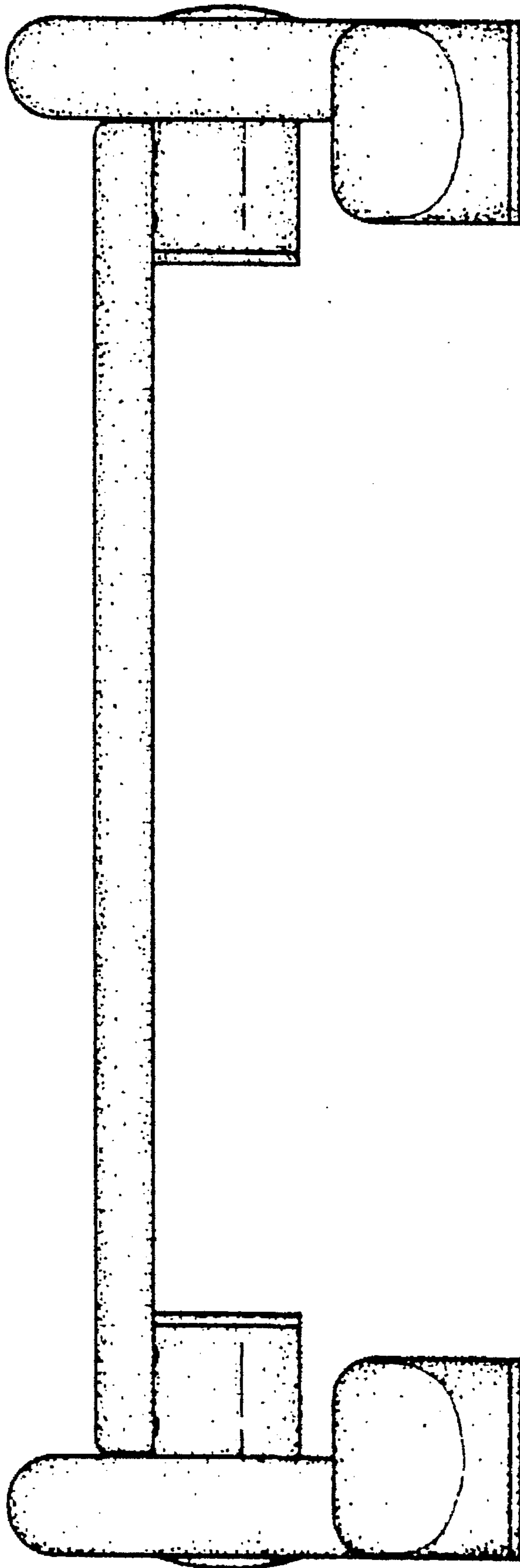


FIG. 2

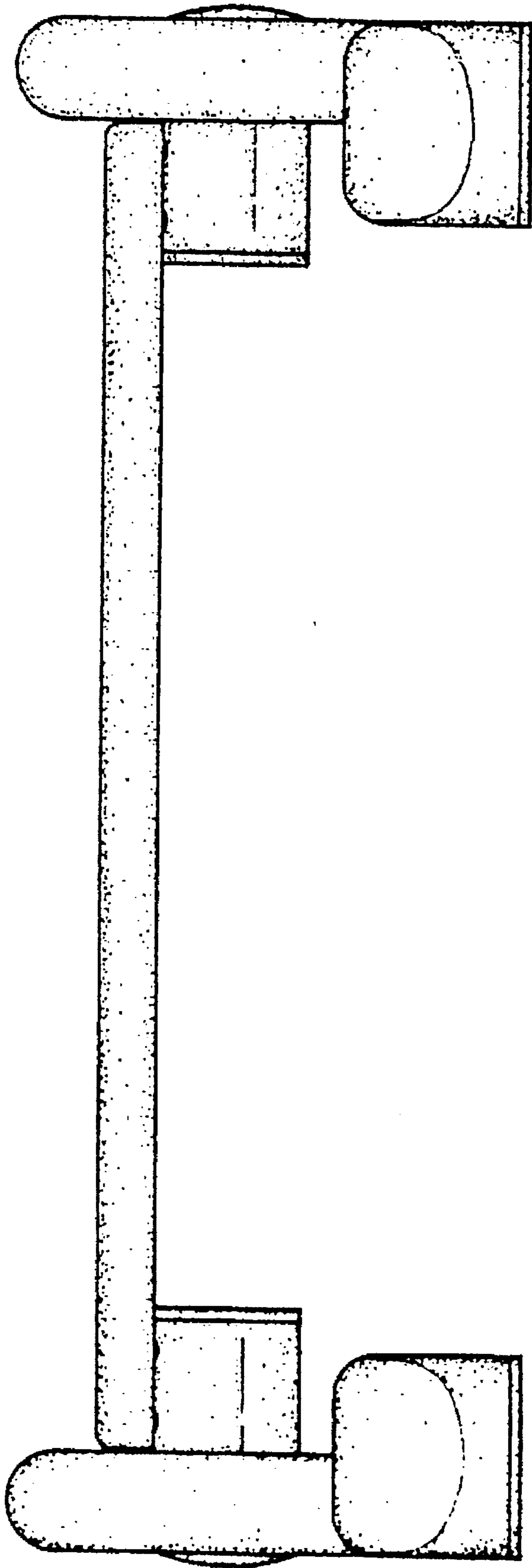


FIG. 3

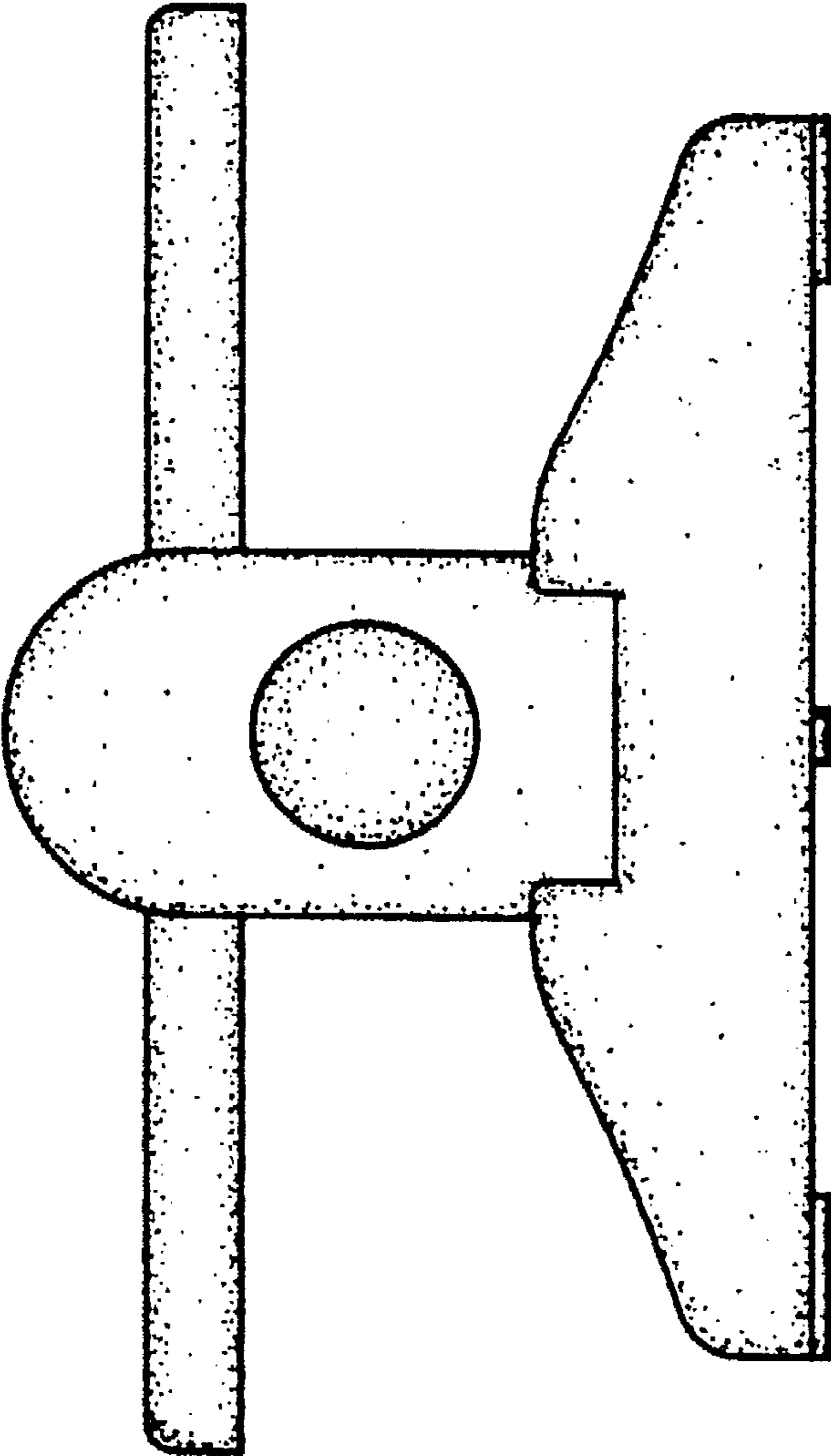


FIG. 4

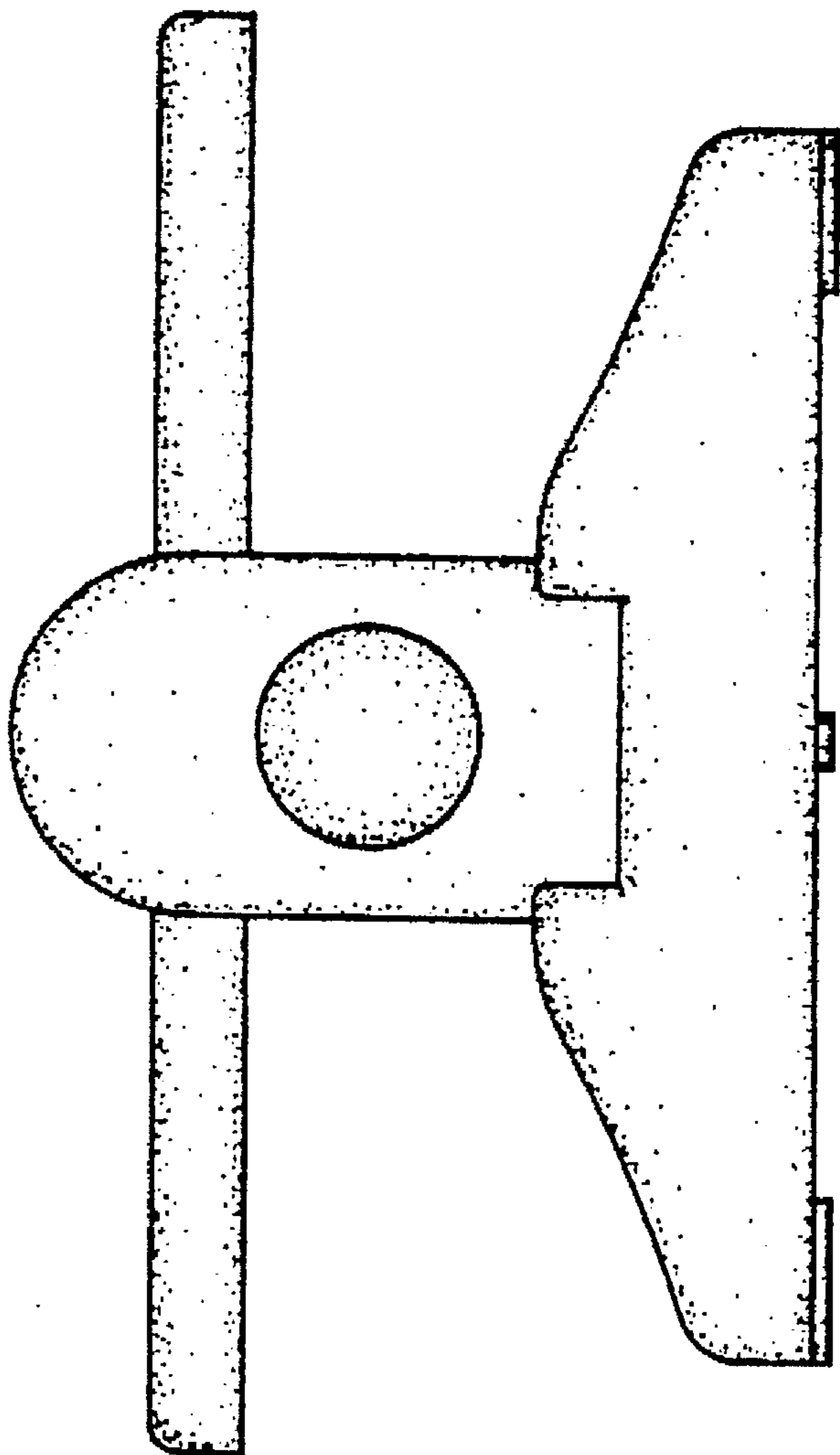


FIG. 5

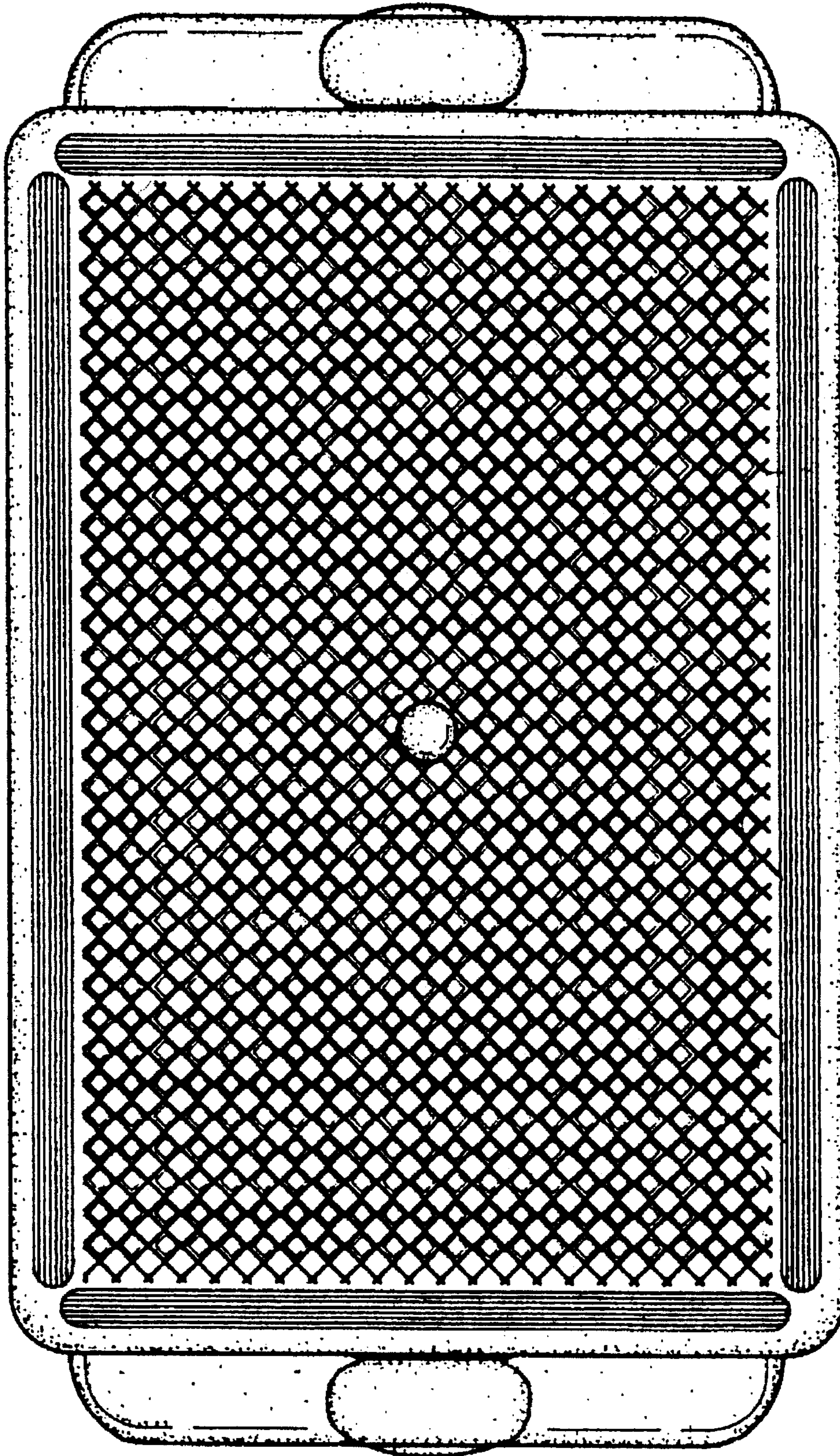


FIG. 6

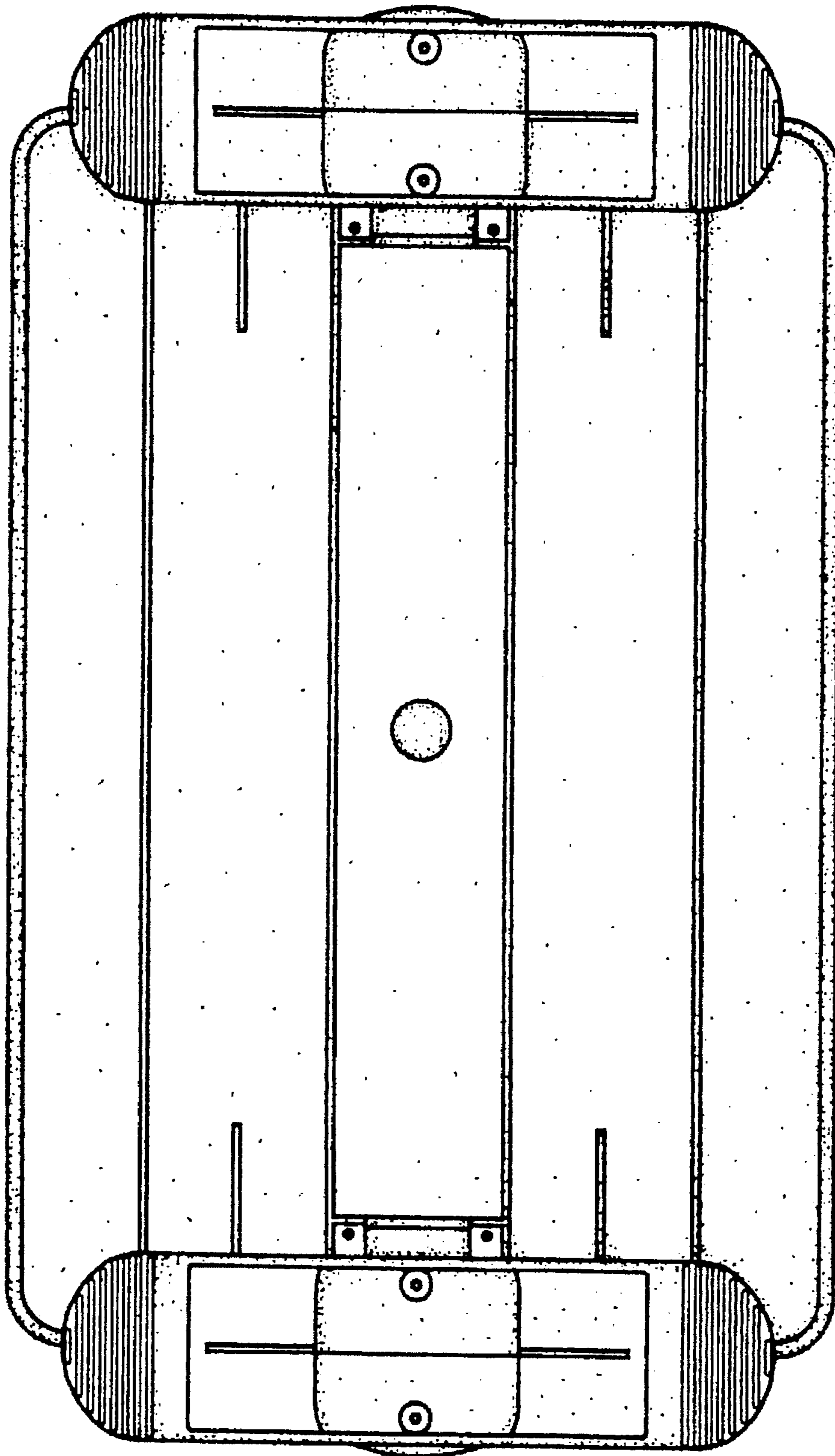


FIG. 7