



US00D382123S

United States Patent [19]

Pimental et al.

[11] Patent Number: **Des. 382,123**

[45] Date of Patent: ****Aug. 12, 1997**

[54] **CHAIR**

[75] Inventors: **F. Dennie Pimental**, Santa Ana; **John C. Duffy**, Los Angeles, both of Calif.

[73] Assignee: **Steelcase Inc.**, Grand Rapids, Mich.

[**] Term: **14 Years**

[21] Appl. No.: **55,538**

[22] Filed: **Jun. 6, 1996**

[51] **LOC (6) Cl.** **06-01**

[52] **U.S. Cl.** **D6/334**

[58] **Field of Search** **D6/334, 335, 371, D6/373, 374, 381, 500, 501, 502; 297/445.1**

[56] **References Cited**

U.S. PATENT DOCUMENTS

D. 220,997	6/1971	Svezia et al.	D6/335
D. 234,988	4/1975	Kopez-Benitez	D6/334
D. 244,328	5/1977	Heumann	D6/334
D. 303,326	9/1989	Heimberger	D6/334
D. 336,995	7/1993	Diaz-Azcuy	D6/334
D. 358,718	5/1995	Lowman	D6/334
D. 367,364	2/1996	Lewis	D6/334

OTHER PUBLICATIONS

Karpen Furniture, ©1925, p. 14, Chair #50800-R-MH at bottom left.

Interiors, May 1981, p. 19, Chair mid-page right by Rita St. Clair.

Interior Design Winter Market 1989, p. 121, Chair in top center foreground from Mueller.

Chervan, ©1989, p. 27, Chair #6357 at top center.

Interiors, Oct. 1990, p. 49. Chair shown.

AGI Industries, Feb. 11, 1992, Chair shown mid-page left in frame "N".

Luzzi Unlimited, Inc., Georgio chair at left.

Primary Examiner—Gary D. Watson

Attorney, Agent, or Firm—Price, Heneveld, Cooper, DeWitt & Litton

[57] **CLAIM**

The ornamental design for a chair, as shown and described.

DESCRIPTION

FIG. 1 is a perspective view of my chair design;

FIG. 2 is a front view thereof;

FIG. 3 is a rear view thereof;

FIG. 4 is a top view thereof;

FIG. 5 is a left side thereof, the right side view being a mirror image of the left side;

FIG. 6 is a perspective view of another embodiment of my chair design;

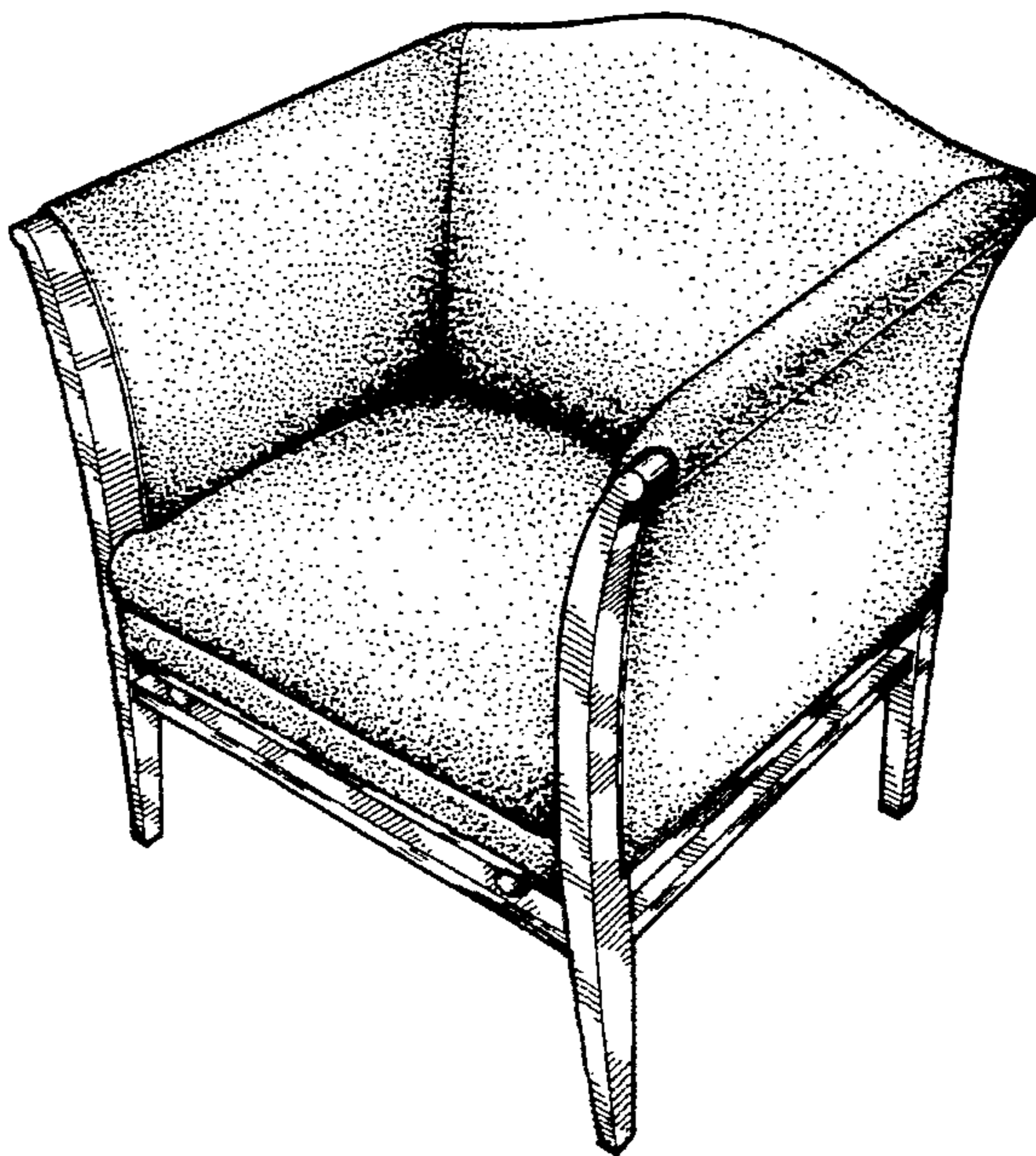
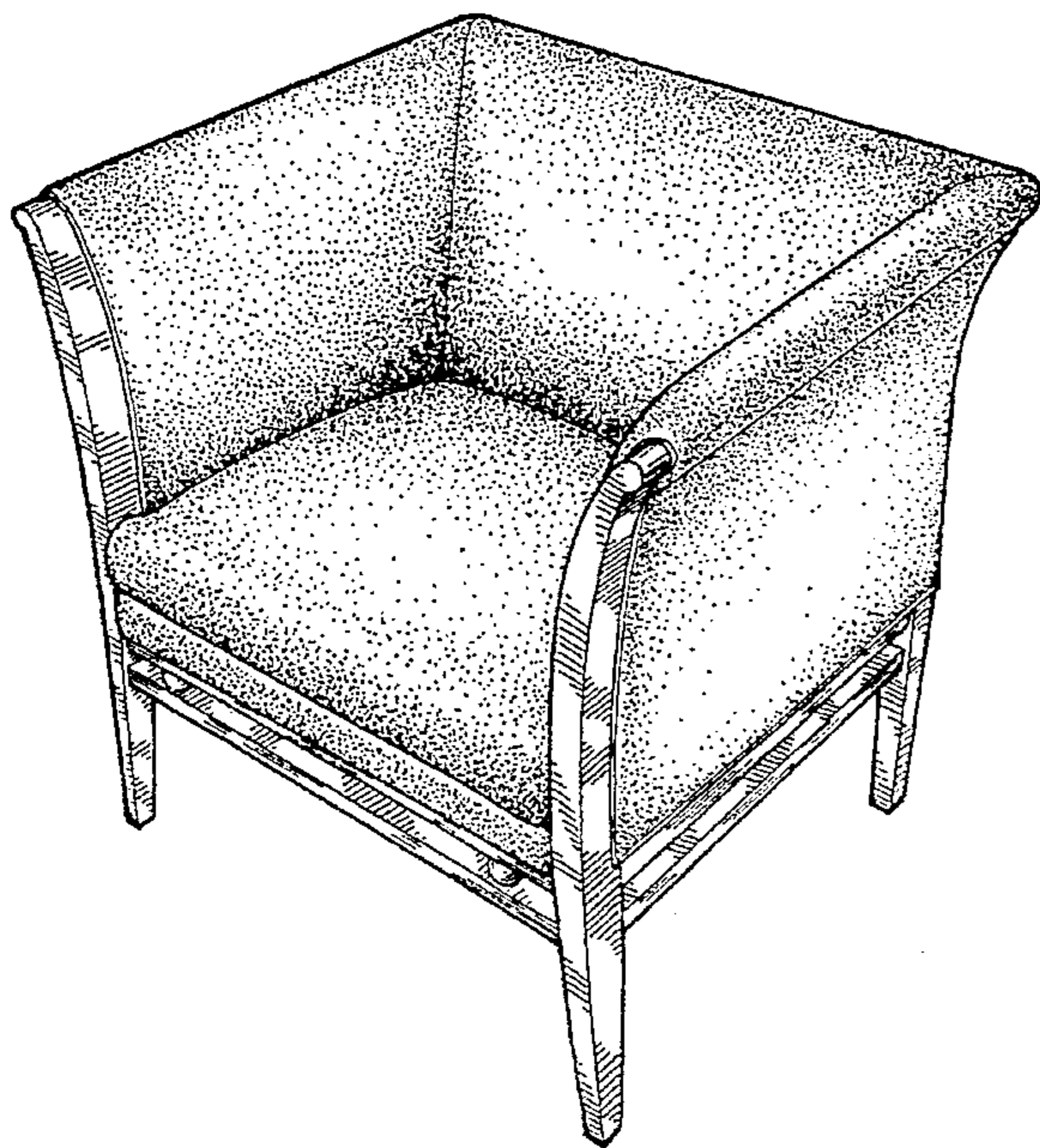
FIG. 7 is a front view thereof;

FIG. 8 is a rear view thereof;

FIG. 9 is a top view thereof; and,

FIG. 10 is a left side view thereof, the right side being a mirror image of the left side.

1 Claim, 5 Drawing Sheets



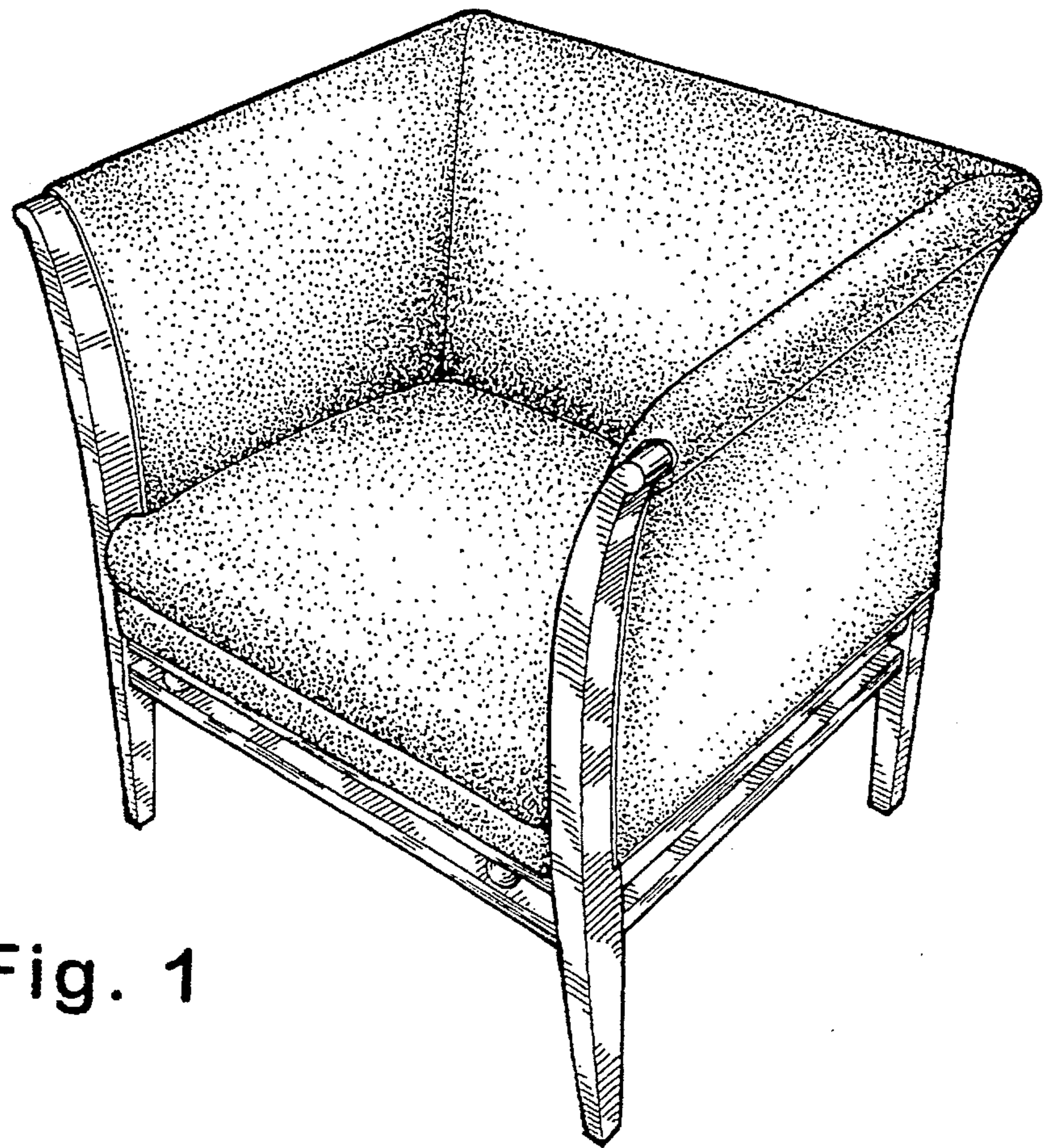


Fig. 1

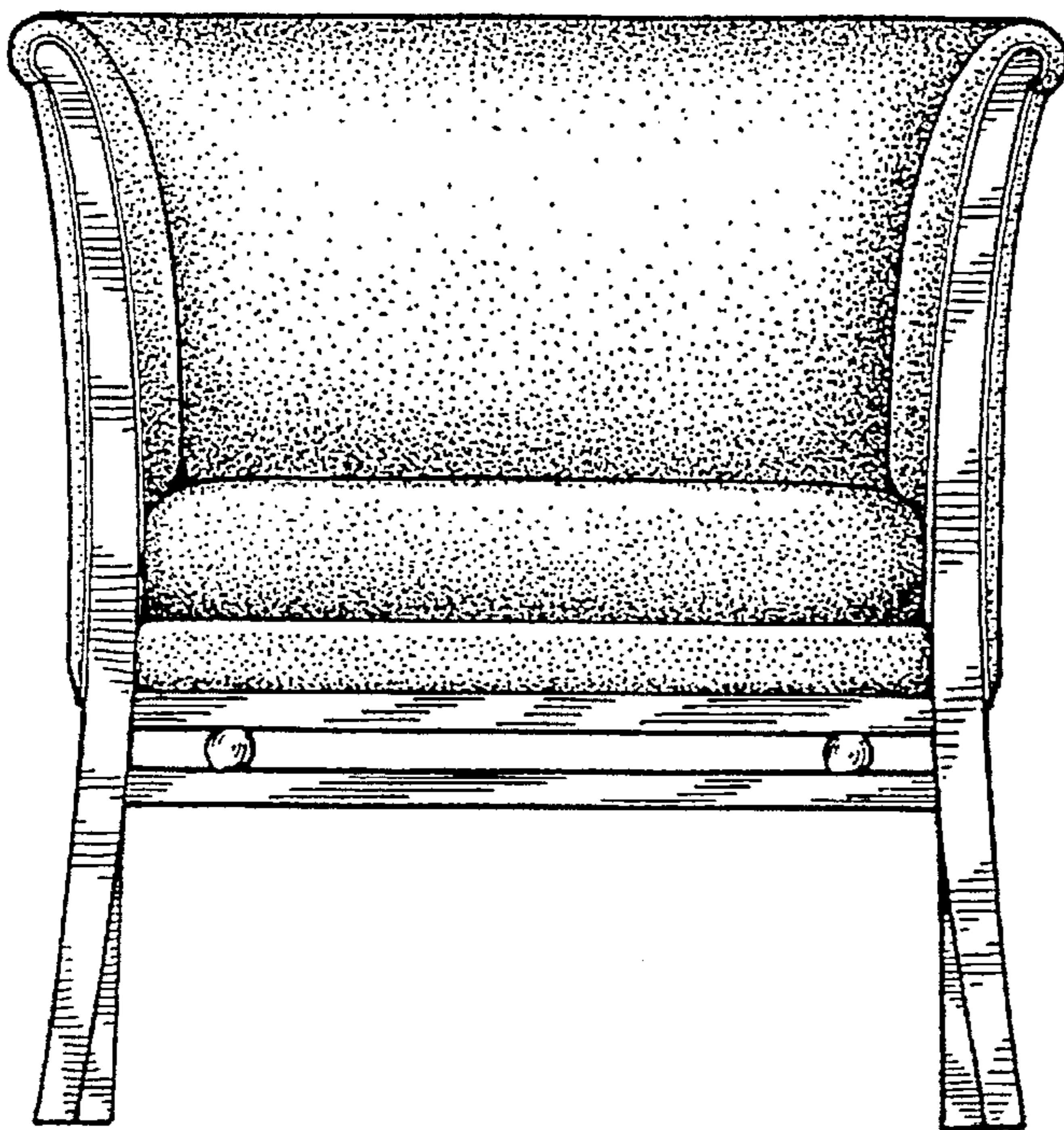


Fig. 2

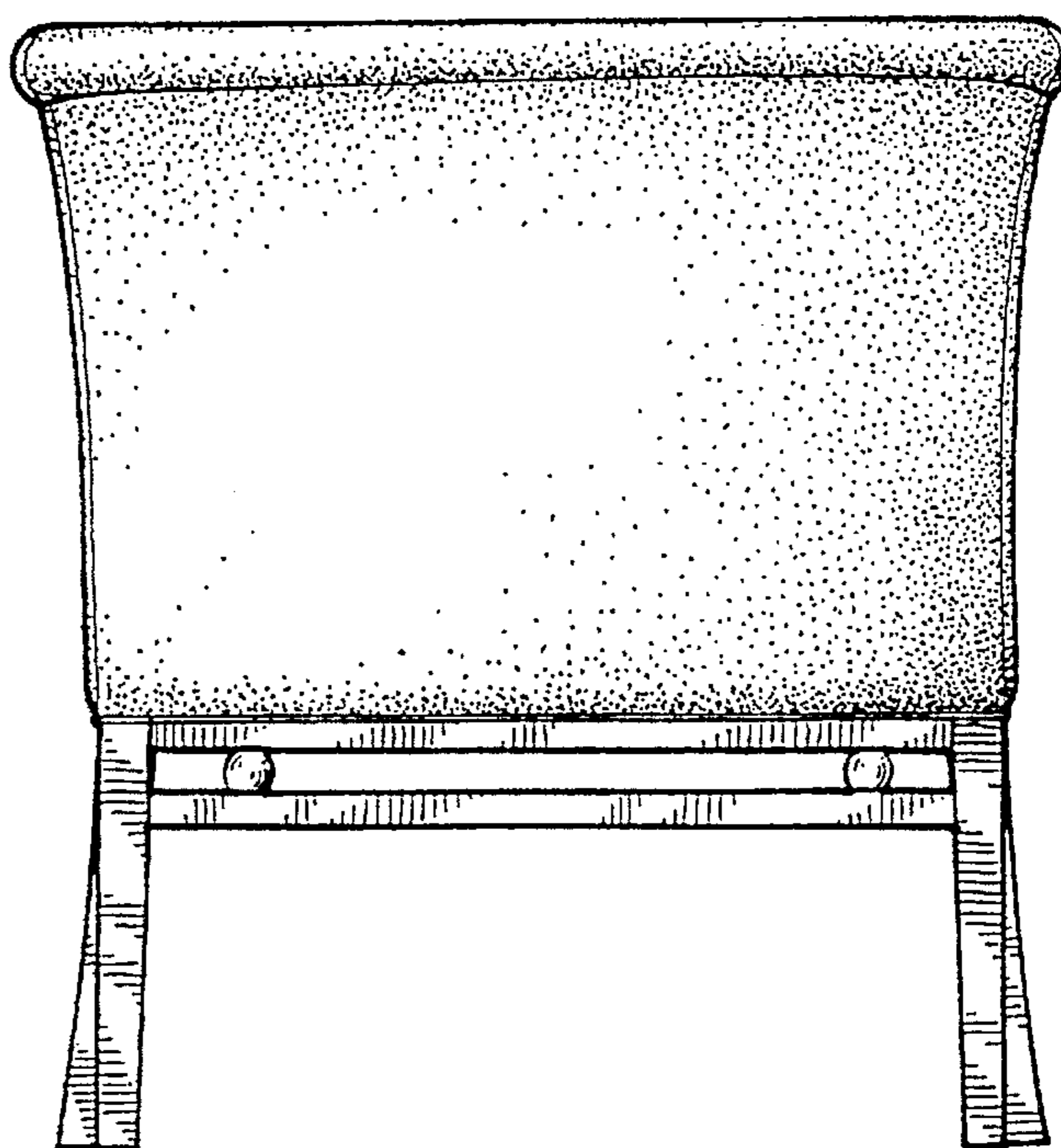


Fig. 3

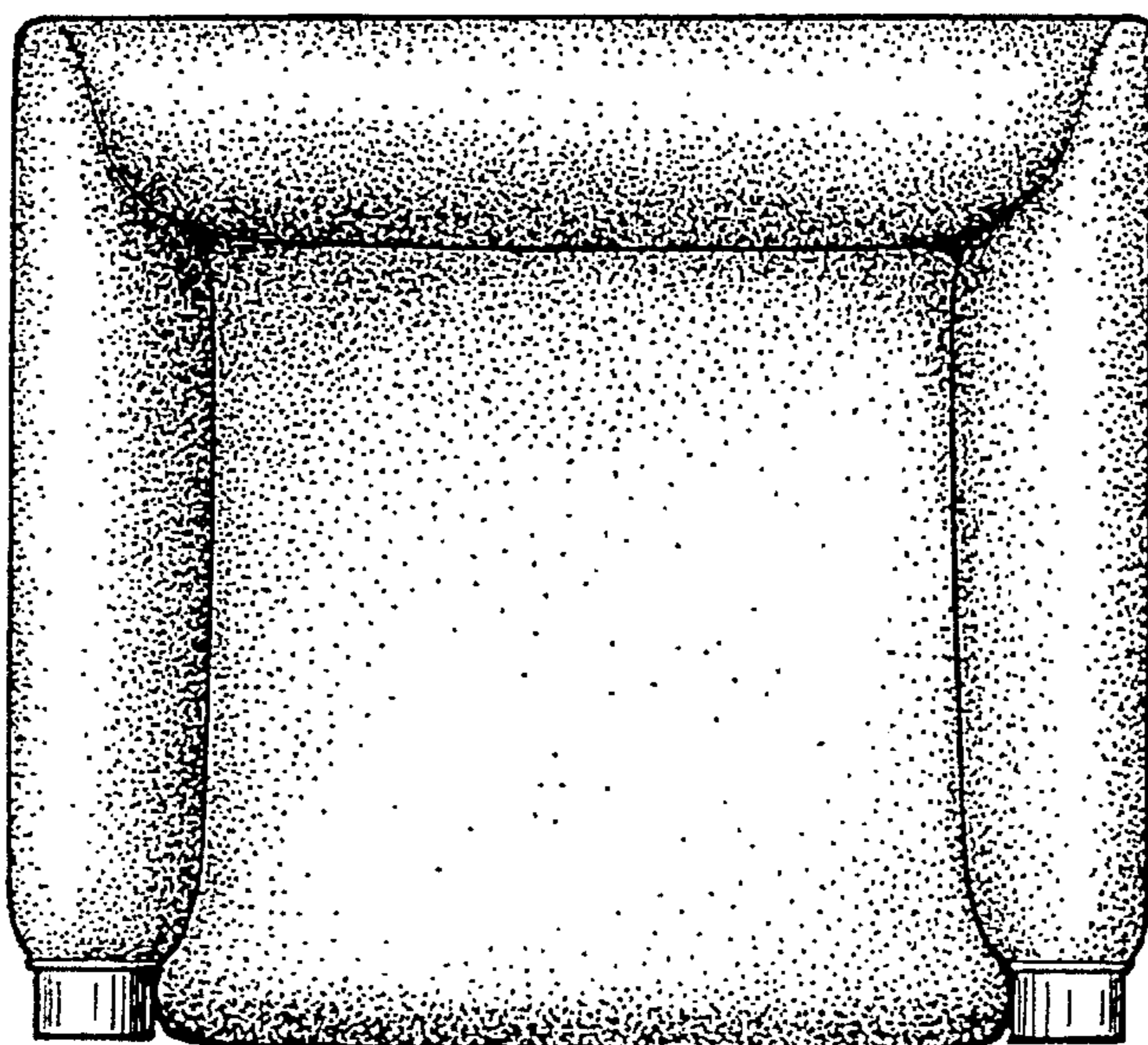


Fig. 4

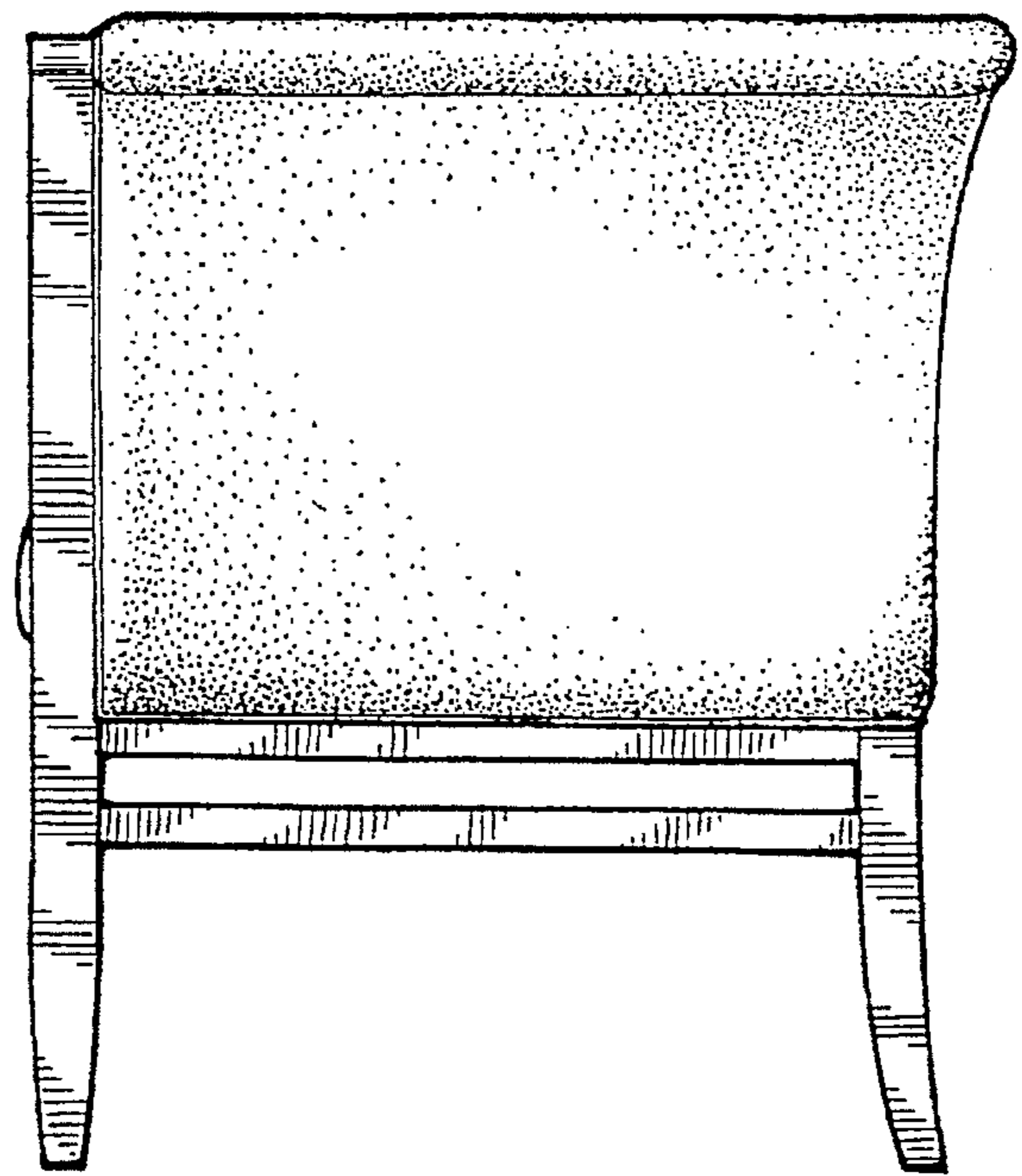


Fig. 5

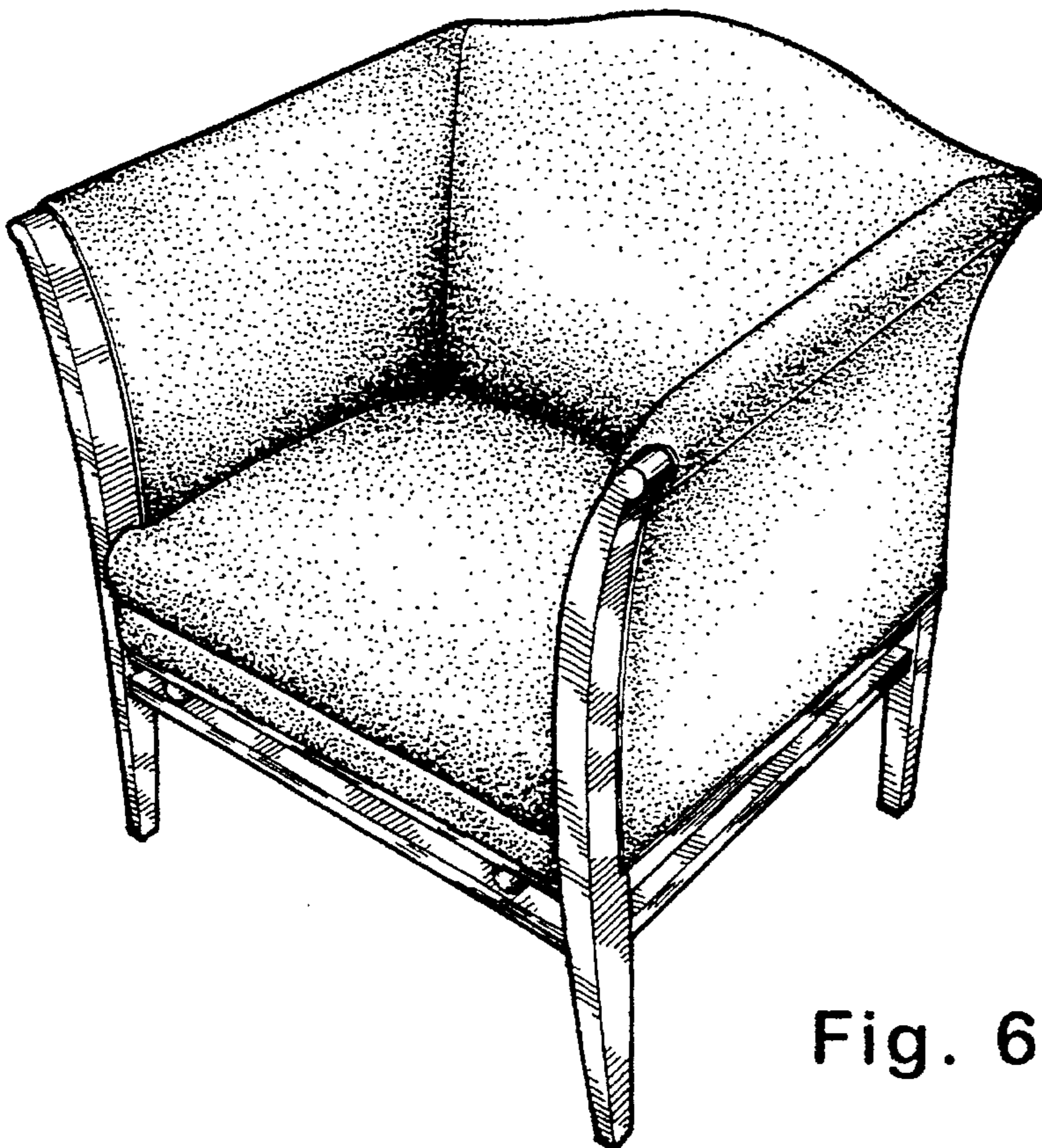


Fig. 6

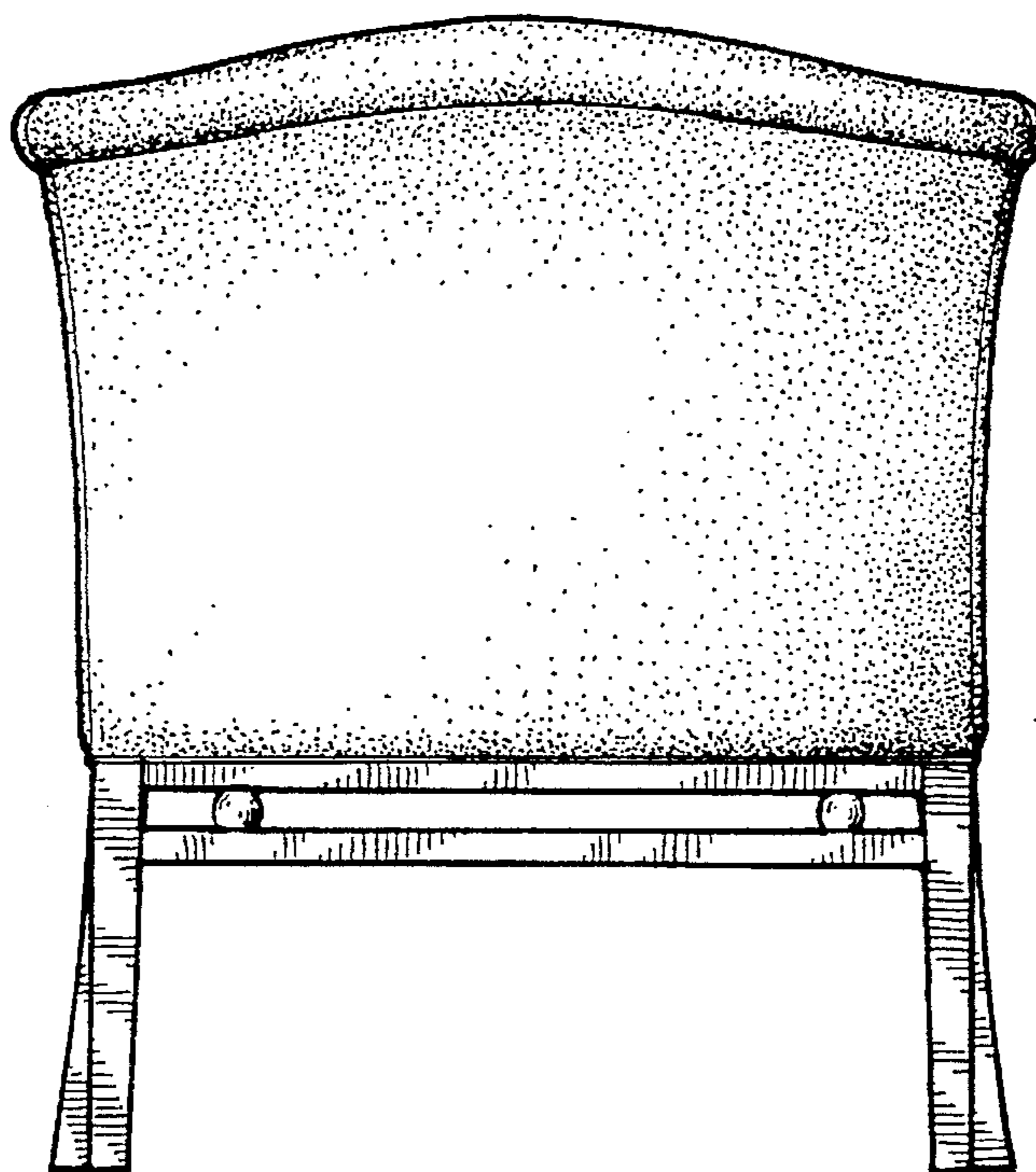


Fig. 8

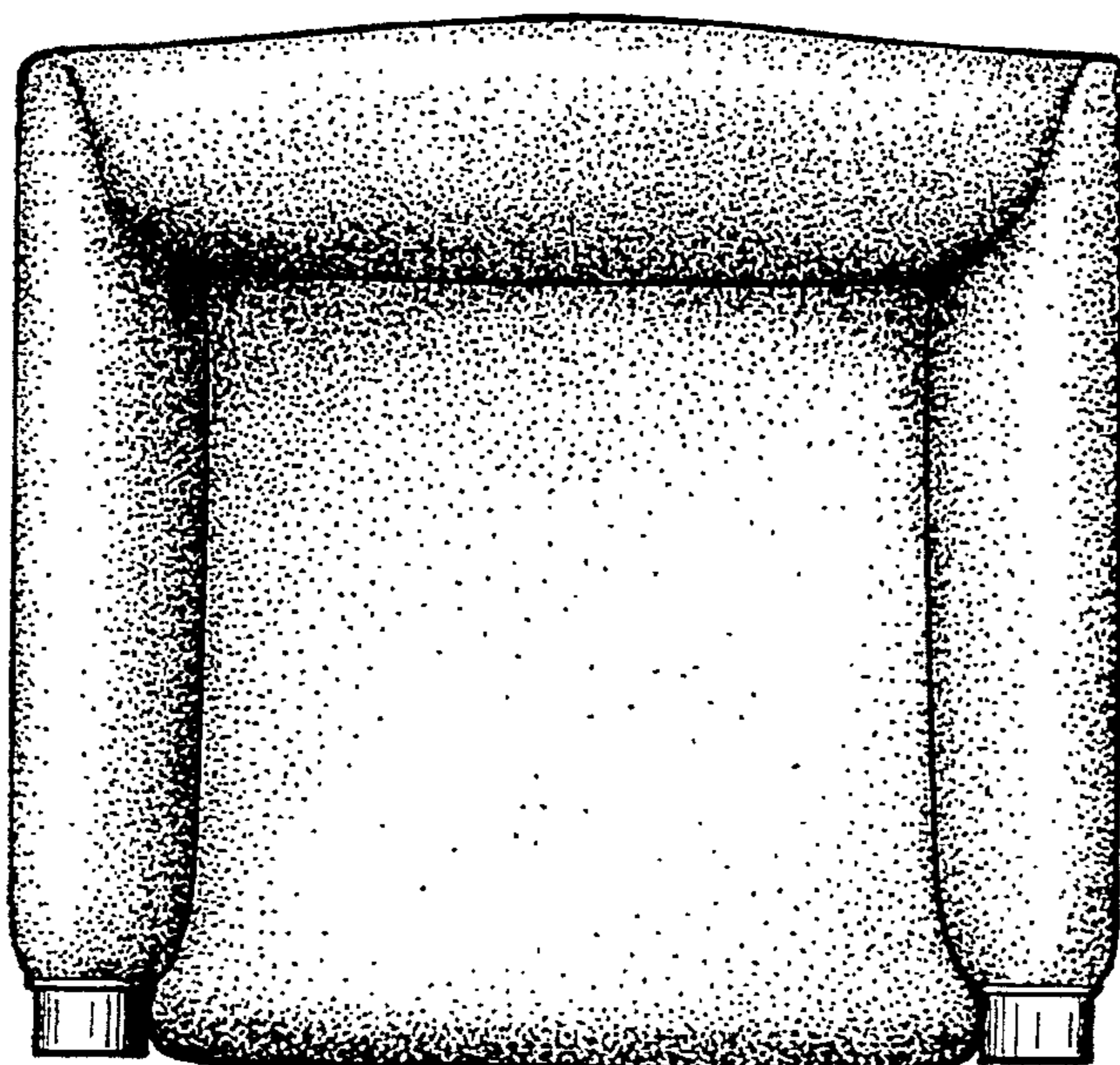


Fig. 9

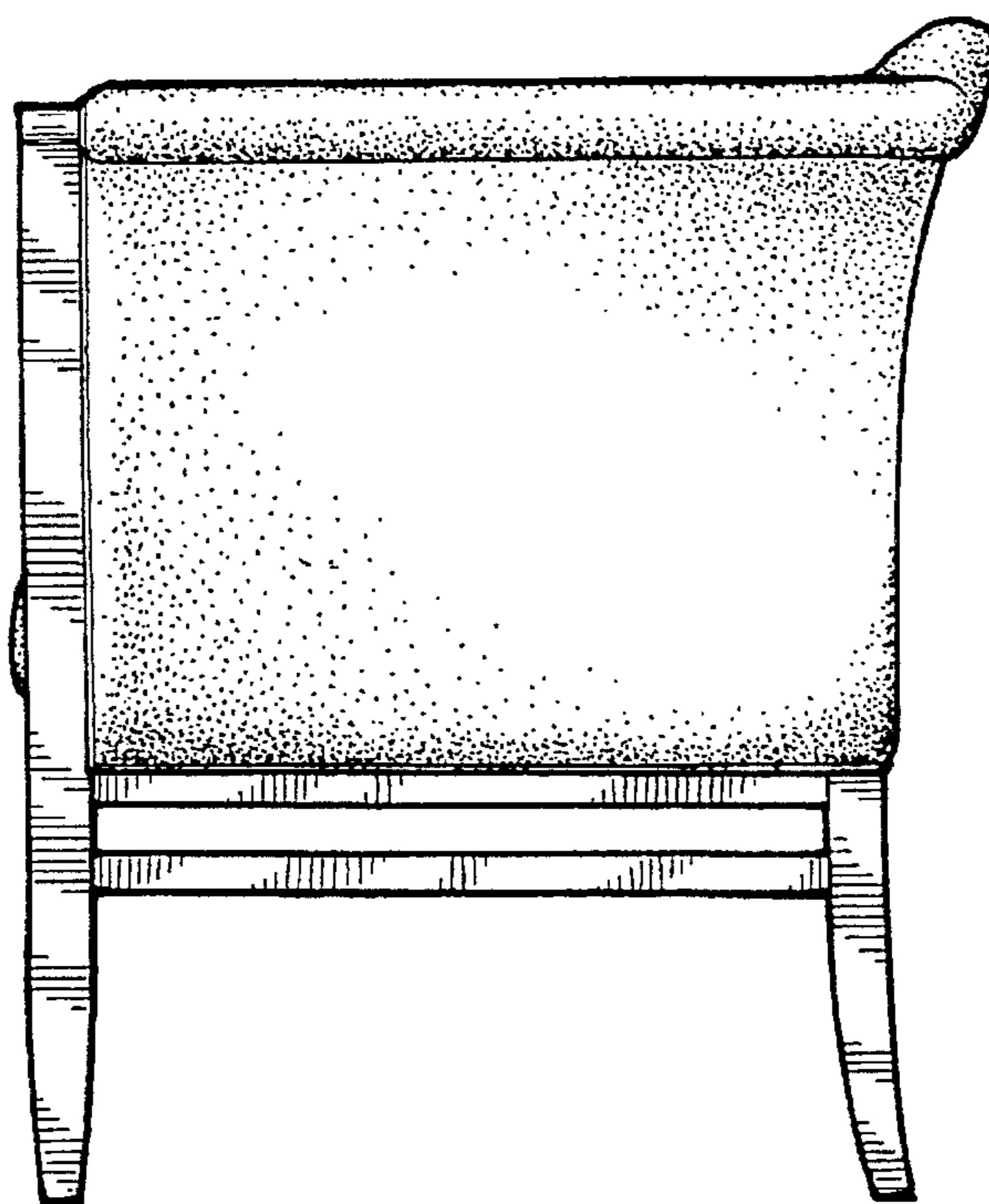


Fig. 10

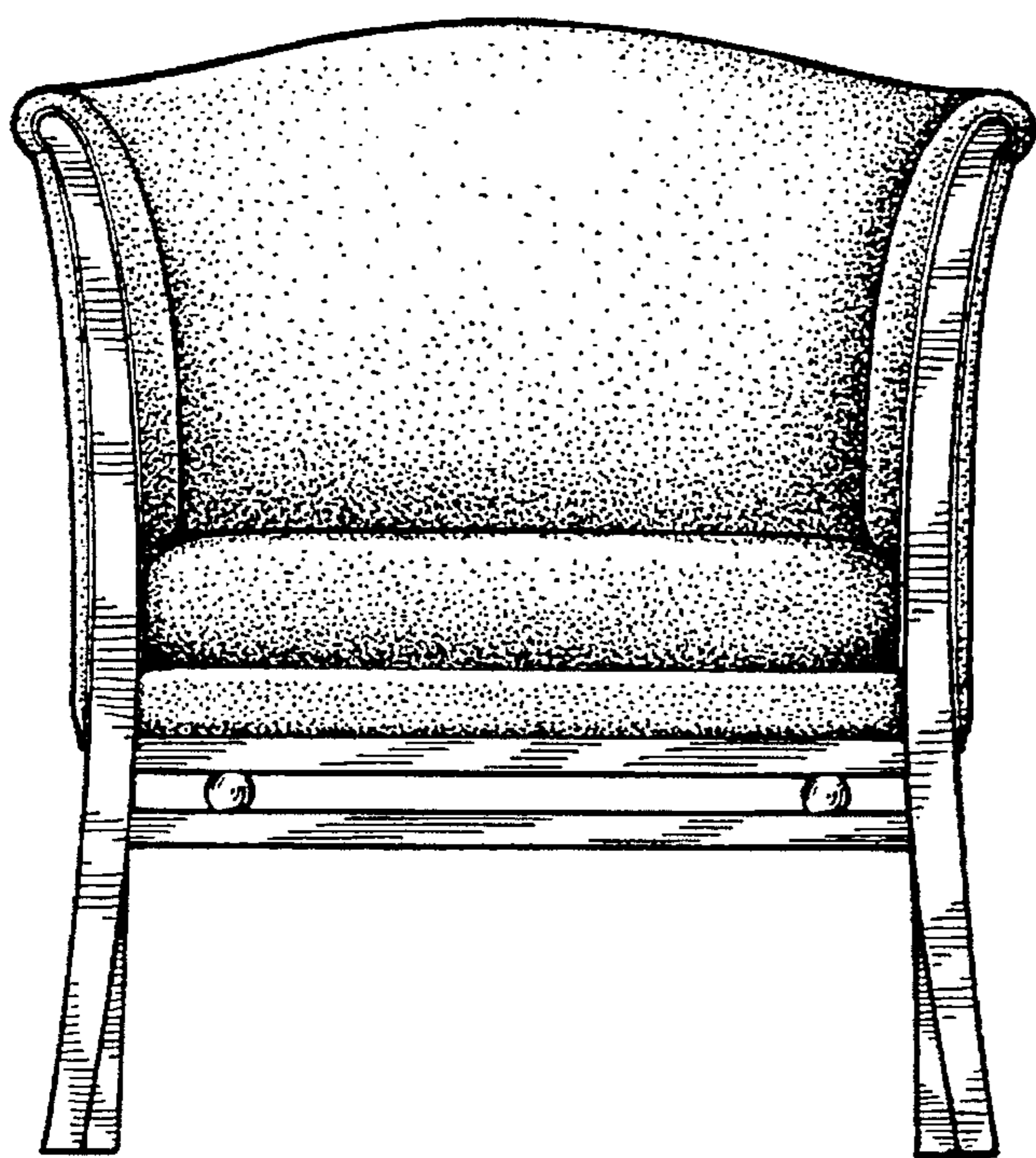


Fig. 7

UNITED STATES PATENT AND TRADEMARK OFFICE
CERTIFICATE OF CORRECTION

PATENT NO. : D. 382,123
DATED : August 12, 1997
INVENTORS : F. Dennie Pimental et al.

It is certified that error appears in the above-identified patent and that said Letters Patent is hereby corrected as shown below:

In the description of Fig. 4;
After "thereof;" insert --and--.

In the description of Fig. 5;
Before "thereof" insert --view--.

In the description of Fig. 5;
After "image of the left side" delete ";" and insert --.--.

In the description of Fig. 9;
After "and" delete ",".

Signed and Sealed this
Twenty-first Day of October 1997



Attest:

BRUCE LEHMAN

Attesting Officer

Commissioner of Patents and Trademarks