



US00D382117S

# United States Patent [19]

Uranga et al.

[11] Patent Number: **Des. 382,117**

[45] Date of Patent: **\*\*Aug. 12, 1997**

[54] **BROOM**

[76] Inventors: **Edward Uranga; Ruben Uranga, Jr.**,  
both of 4342 Glenmuir Ave., Los  
Angeles, Calif. 90065

[\*\*] Term: **14 Years**

[21] Appl. No.: **48,427**

[22] Filed: **Dec. 28, 1995**

[51] **LOC (6) Cl.** ..... **04-01**

[52] **U.S. Cl.** ..... **D4/132**

[58] **Field of Search** ..... D4/132, 135, 138,  
D4/199; D32/50, 51; 15/143.1, 144.1, 146,  
159.1, 160, 171, 172, 175, 176.1, 176.4,  
244.1

[56] **References Cited**

**U.S. PATENT DOCUMENTS**

D. 277,524	2/1985	Kubick .....	D4/134
D. 278,099	3/1985	Evans .....	D4/116
D. 307,517	5/1990	Mallory et al. ....	D4/116
D. 354,170	1/1995	Libman .....	D4/199
913,304	2/1909	Petersen .	
1,277,230	8/1918	Lohstroh .	
1,335,116	3/1920	Johanson .	
1,525,438	2/1925	Boone .	
2,044,595	6/1936	Schumann .....	15/171
2,090,412	8/1937	Geiger .....	15/146
2,112,297	3/1938	McGoldrick .....	15/202
2,648,860	8/1953	Le Febvre .....	15/171
2,666,221	1/1954	Stepper .....	15/146
2,922,179	1/1960	Lundgren .....	15/146
3,108,306	10/1963	McWilliams .....	15/171
3,340,557	9/1967	Rosenzweig .....	15/176
3,619,845	11/1971	Partridge et al. ....	15/117

3,783,468	1/1974	Saloutos .....	15/202
3,795,933	3/1974	Seufert .....	15/114
4,239,413	12/1980	Wludyka .....	403/263
4,777,690	10/1988	Ancier .....	15/244.1
5,414,889	5/1995	Sartori .....	15/159.1
5,471,699	12/1995	Shaw .....	15/146

*Primary Examiner*—A. Hugo Word  
*Assistant Examiner*—Lavone Tabor  
*Attorney, Agent, or Firm*—Fulwider Patton Lee & Utecht,  
LLP

[57] **CLAIM**

The ornamental design for a broom, as shown and described.

**DESCRIPTION**

FIG. 1 is a front perspective view of a broom embodying our new design;  
 FIG. 2 is a rear perspective view of the broom as shown in FIG. 1;  
 FIG. 3 is a front elevational view of the broom shown in FIGS. 1 and 2;  
 FIG. 4 is a bottom plan view of the broom shown in FIGS. 1—3;  
 FIG. 5 is a top plan view of the broom shown in FIGS. 1—4;  
 FIG. 6 is a right side elevational view of the broom of FIGS. 1—5;  
 FIG. 7 is a rear elevational view of the broom of FIGS. 1—6;  
 FIG. 8 is a bottom plan view of the broom of FIGS. 1—7 with the brush cartridge removed; and,  
 FIG. 9 is a rear perspective view of the broom of FIG. 2 with the brush cartridge removed.  
 The brush cartridge is omitted in FIGS. 8 and 9 for clarity of illustration only.

**1 Claim, 6 Drawing Sheets**

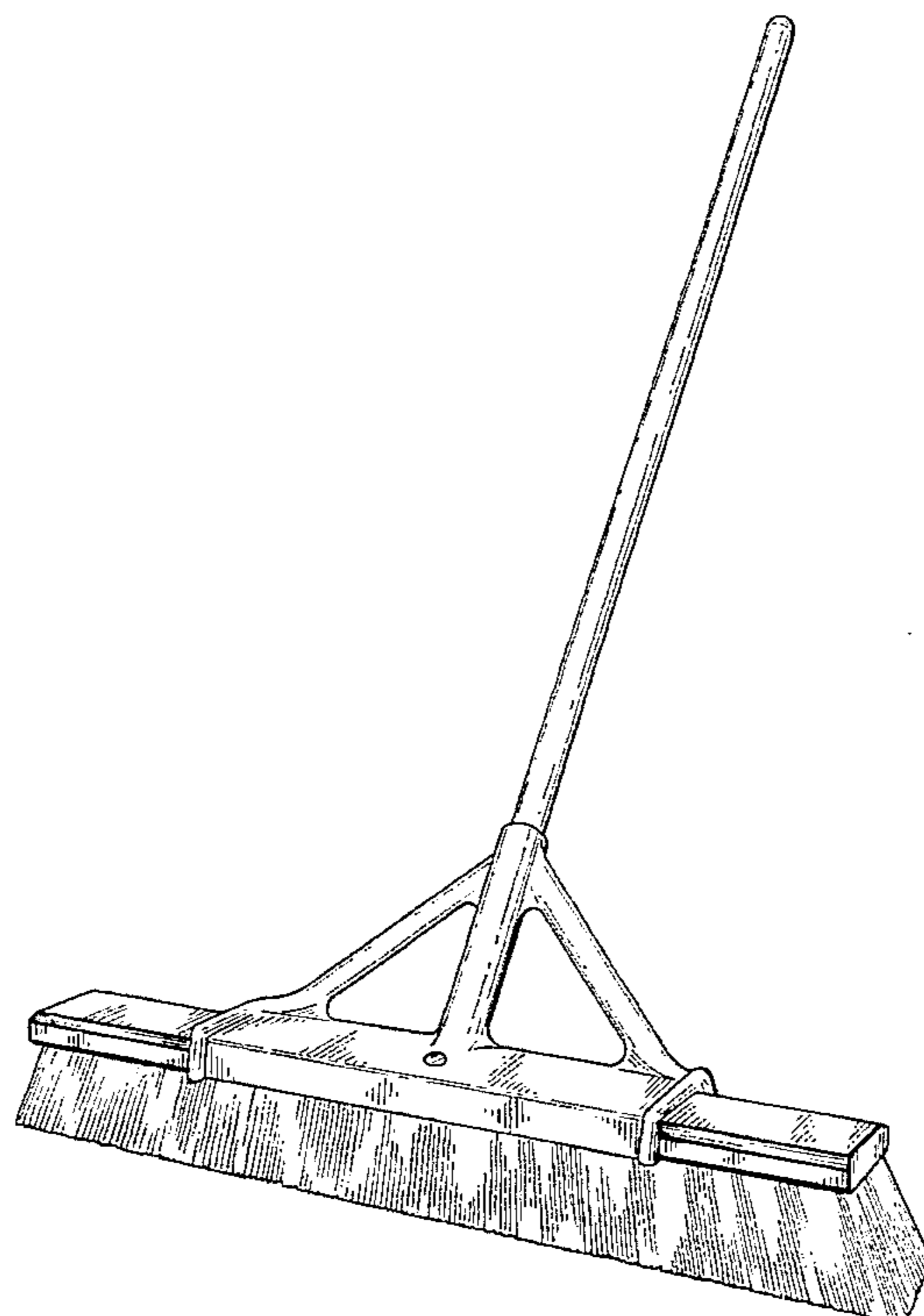


FIG. 1

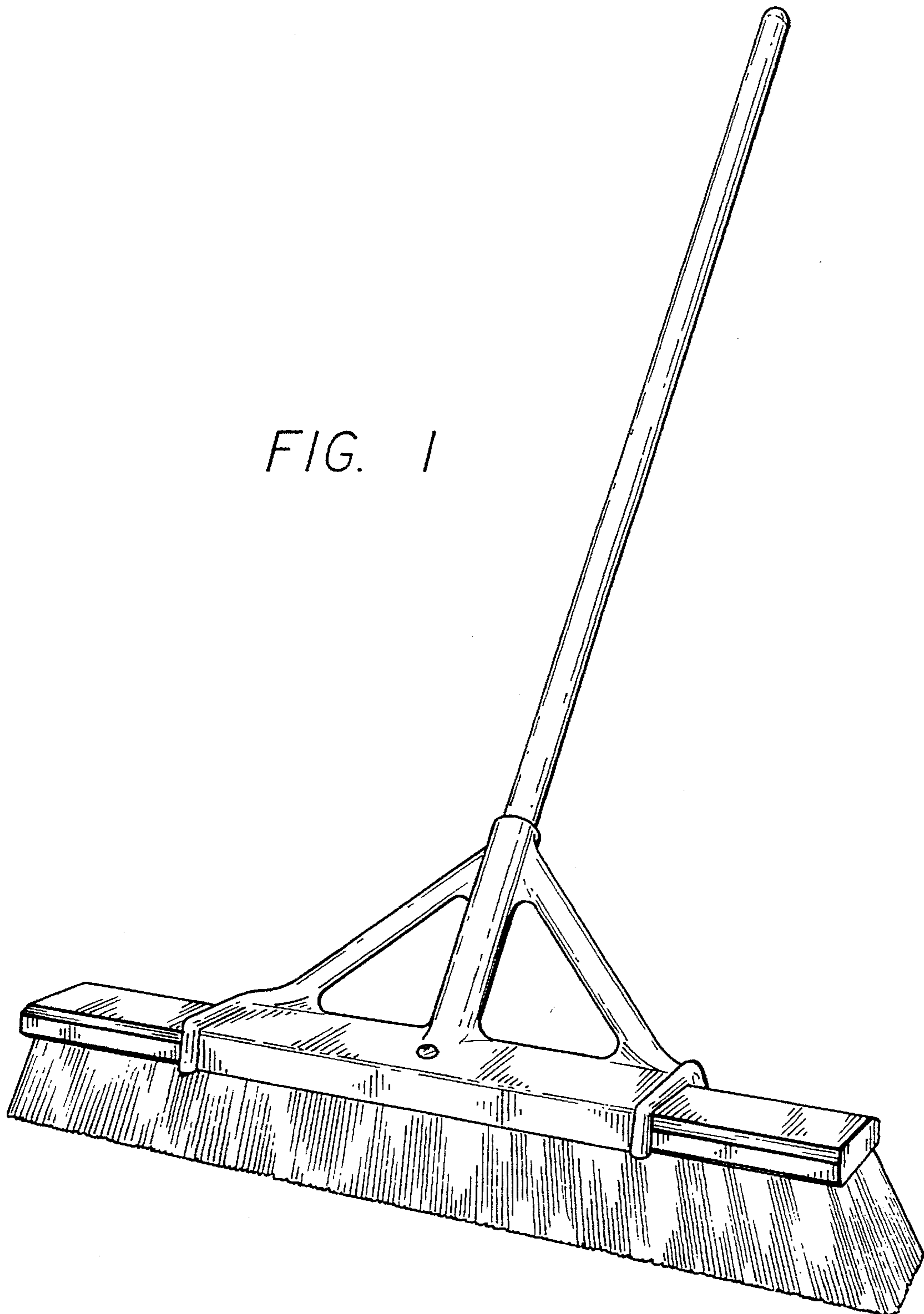
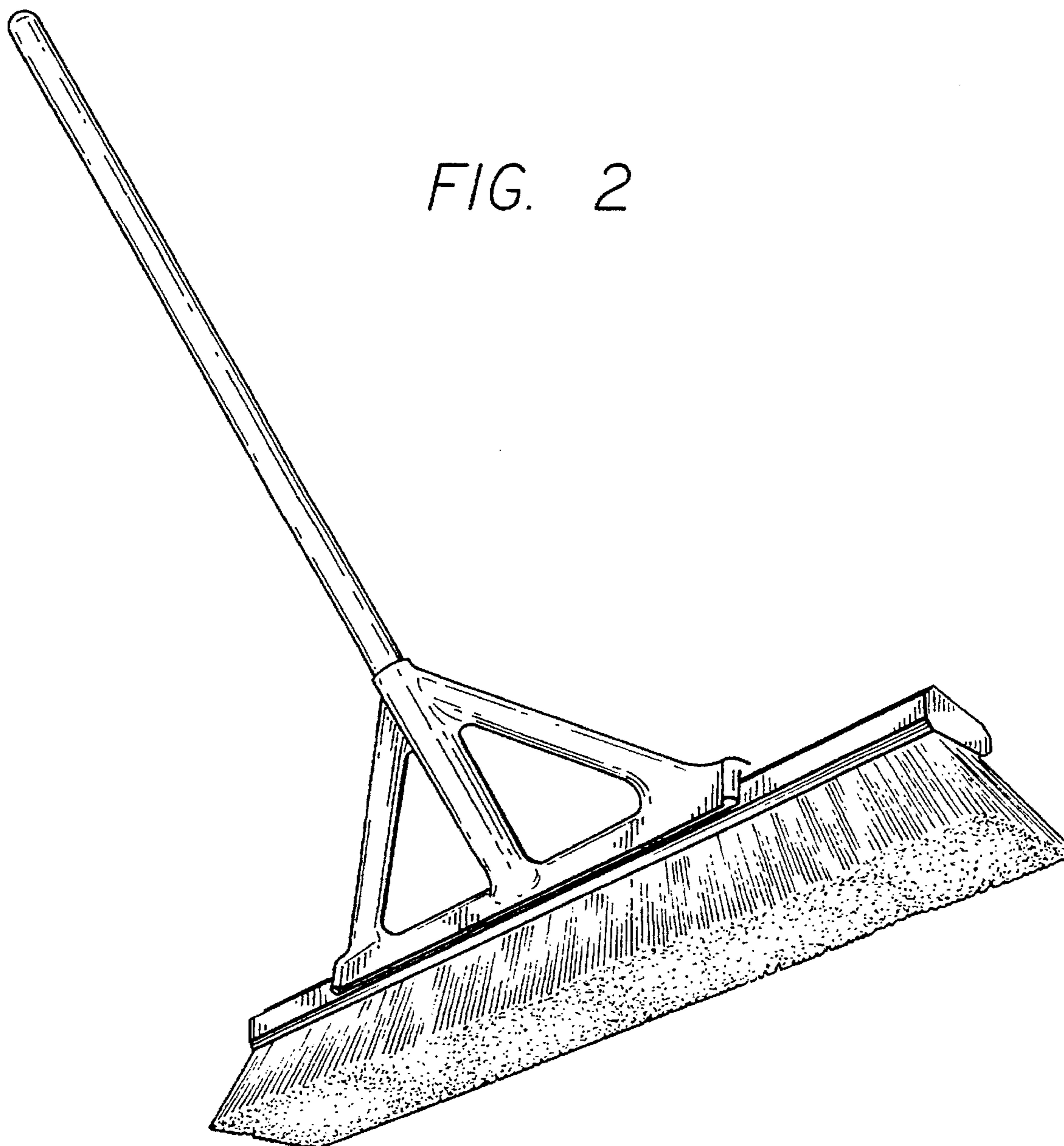


FIG. 2



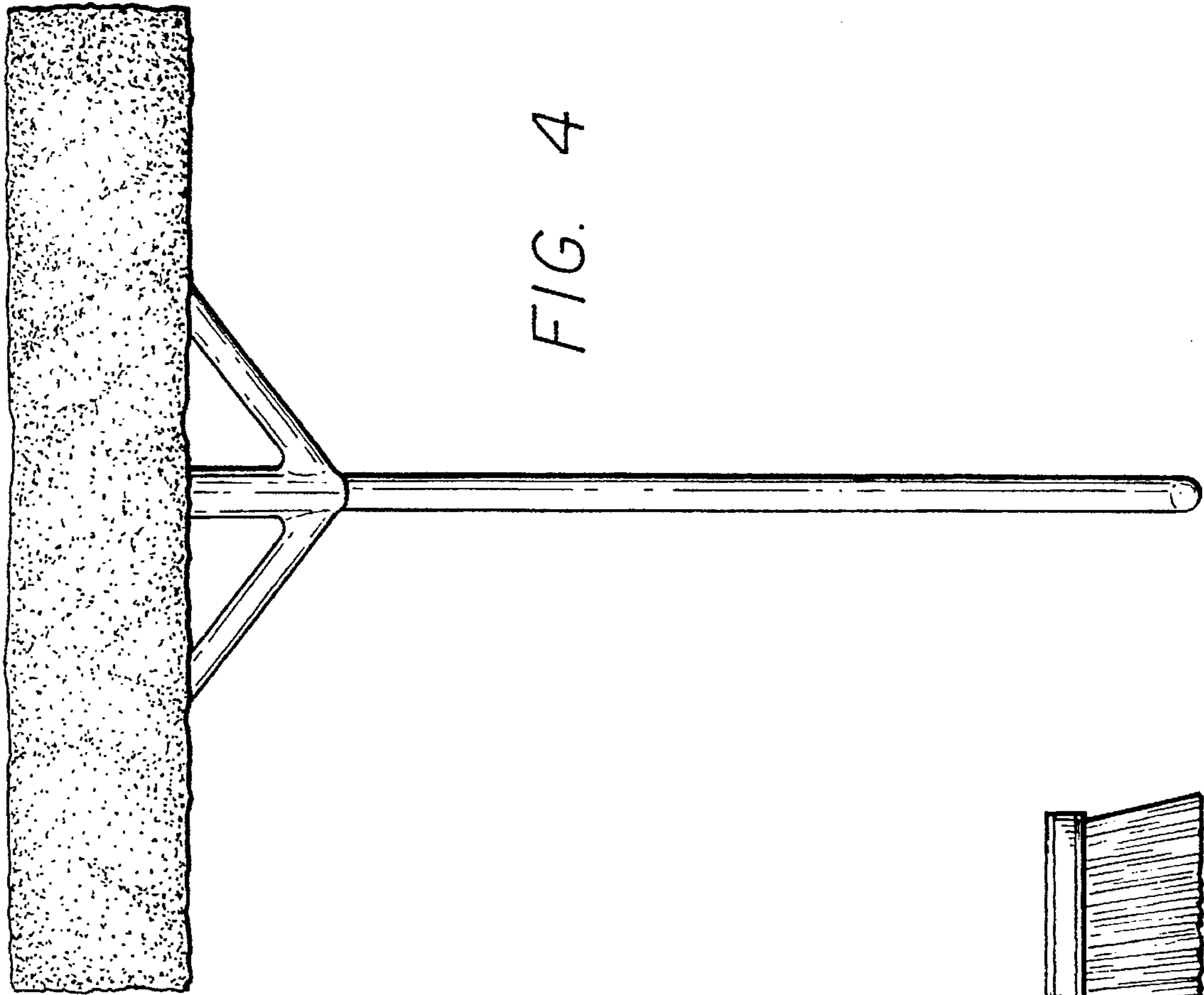


FIG. 4

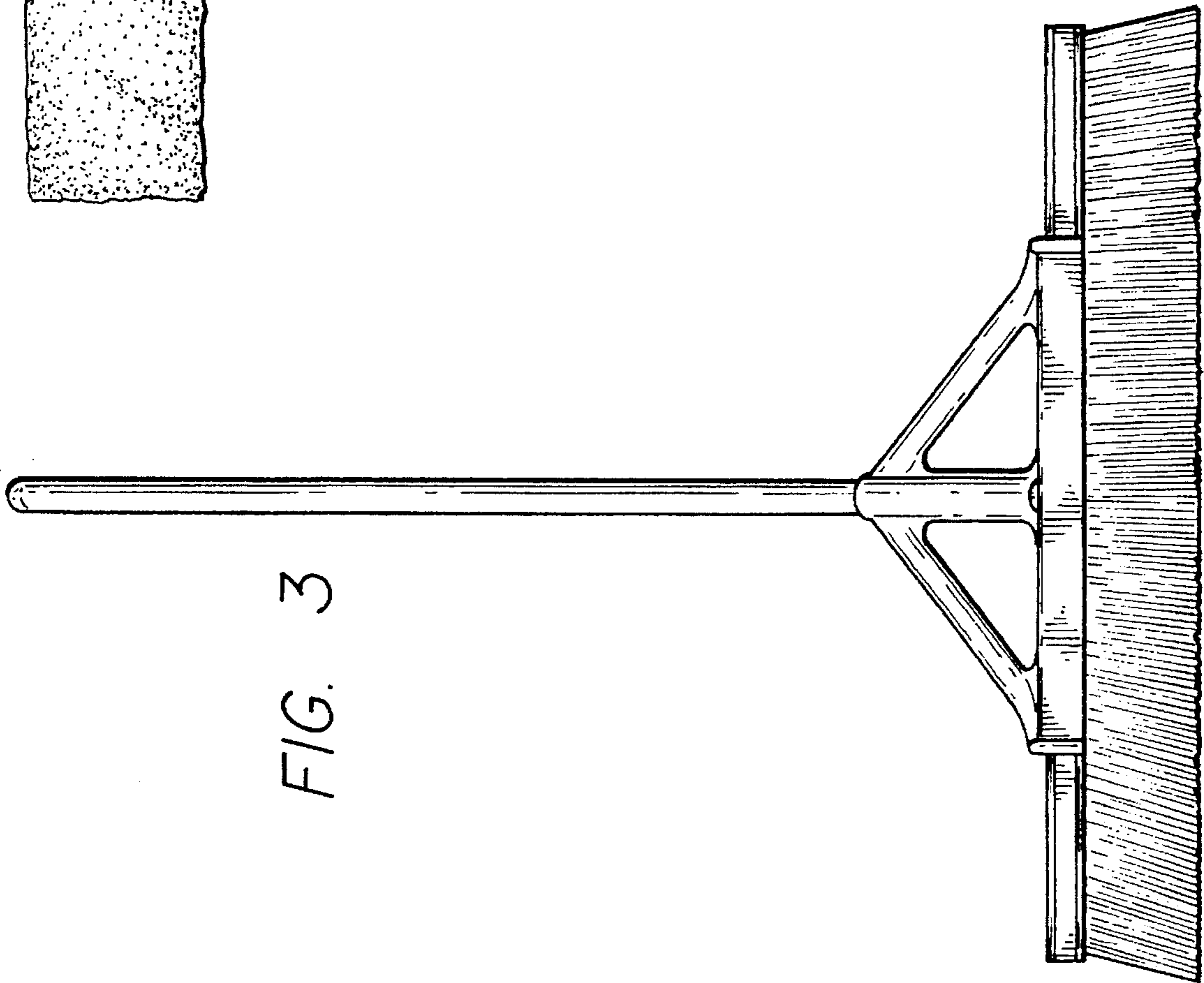


FIG. 3

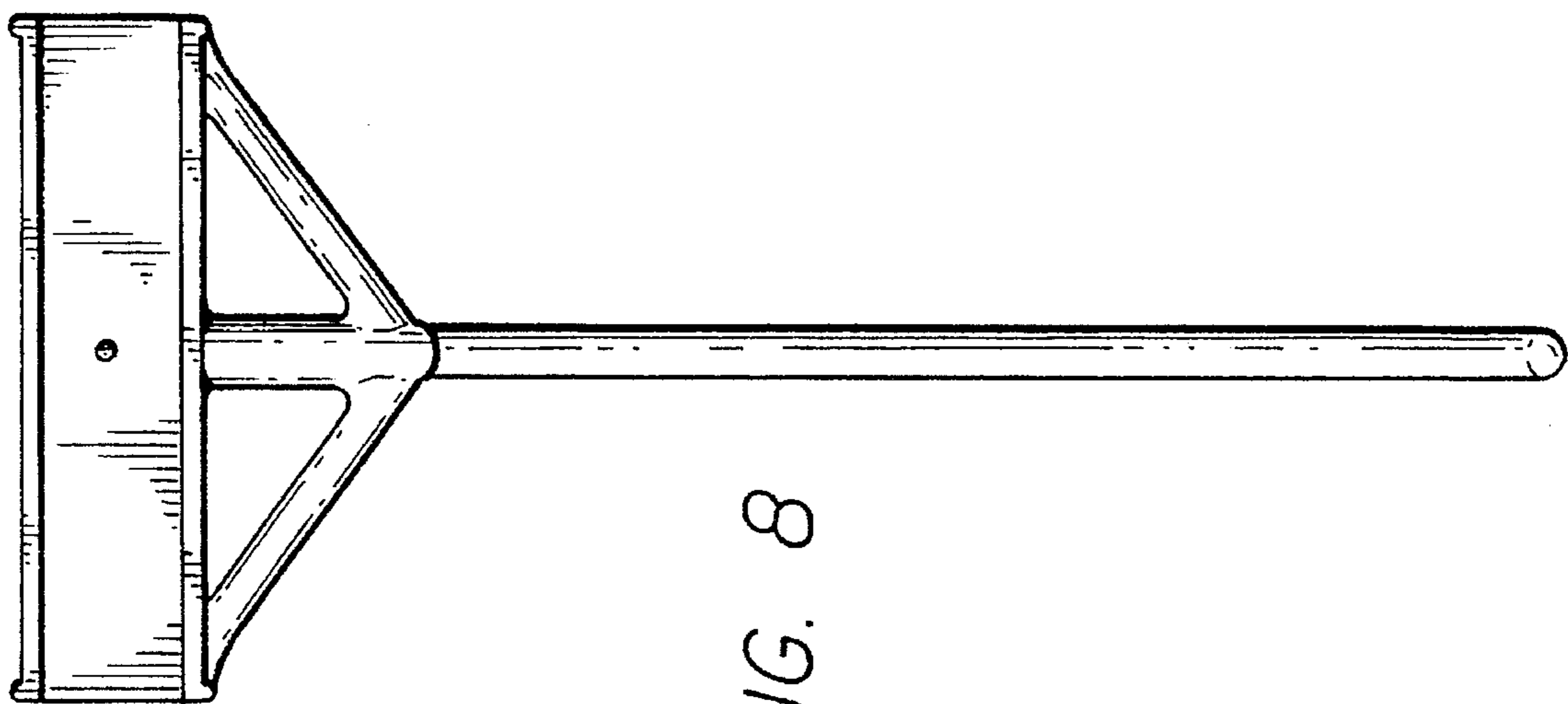


FIG. 8

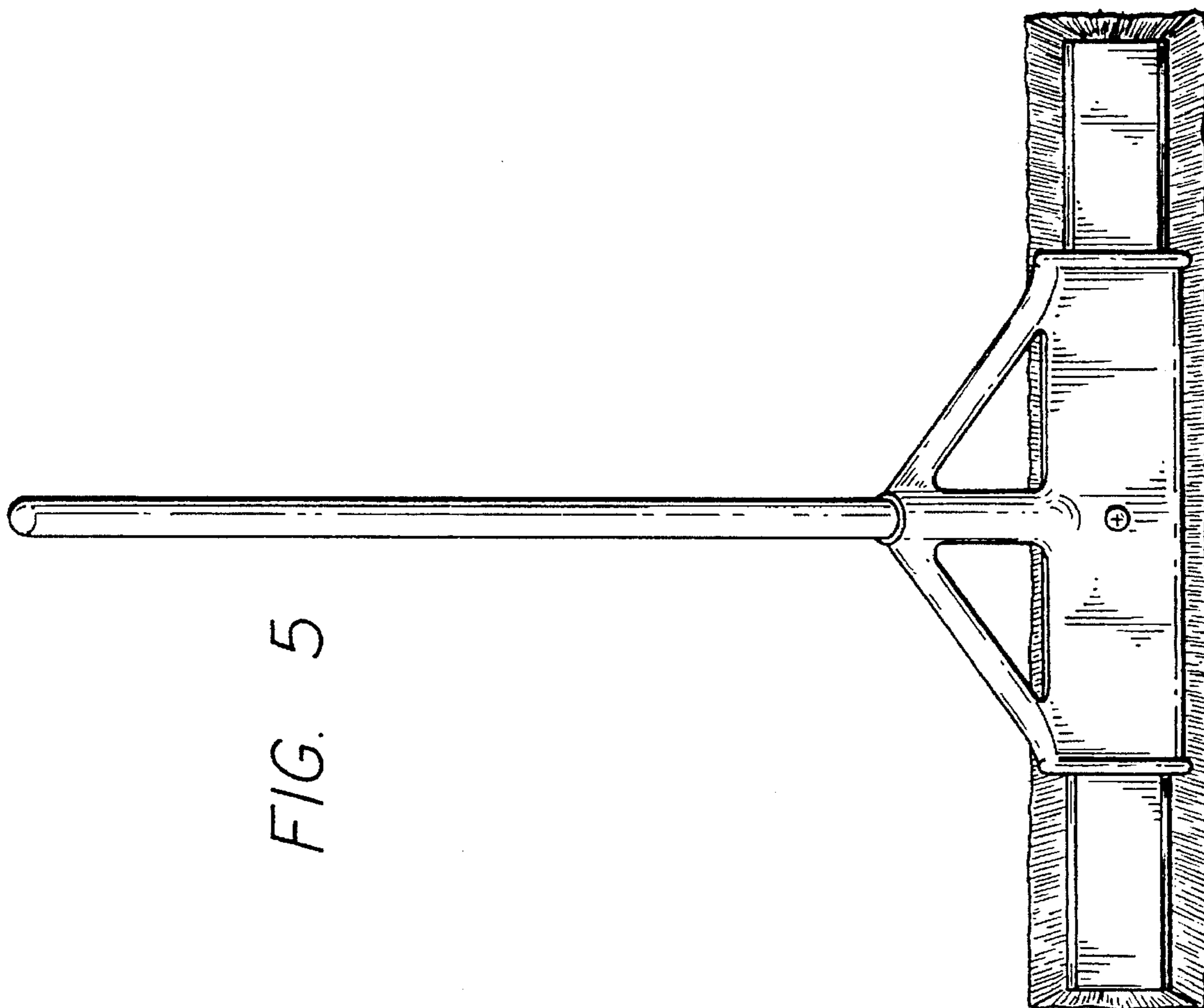


FIG. 5

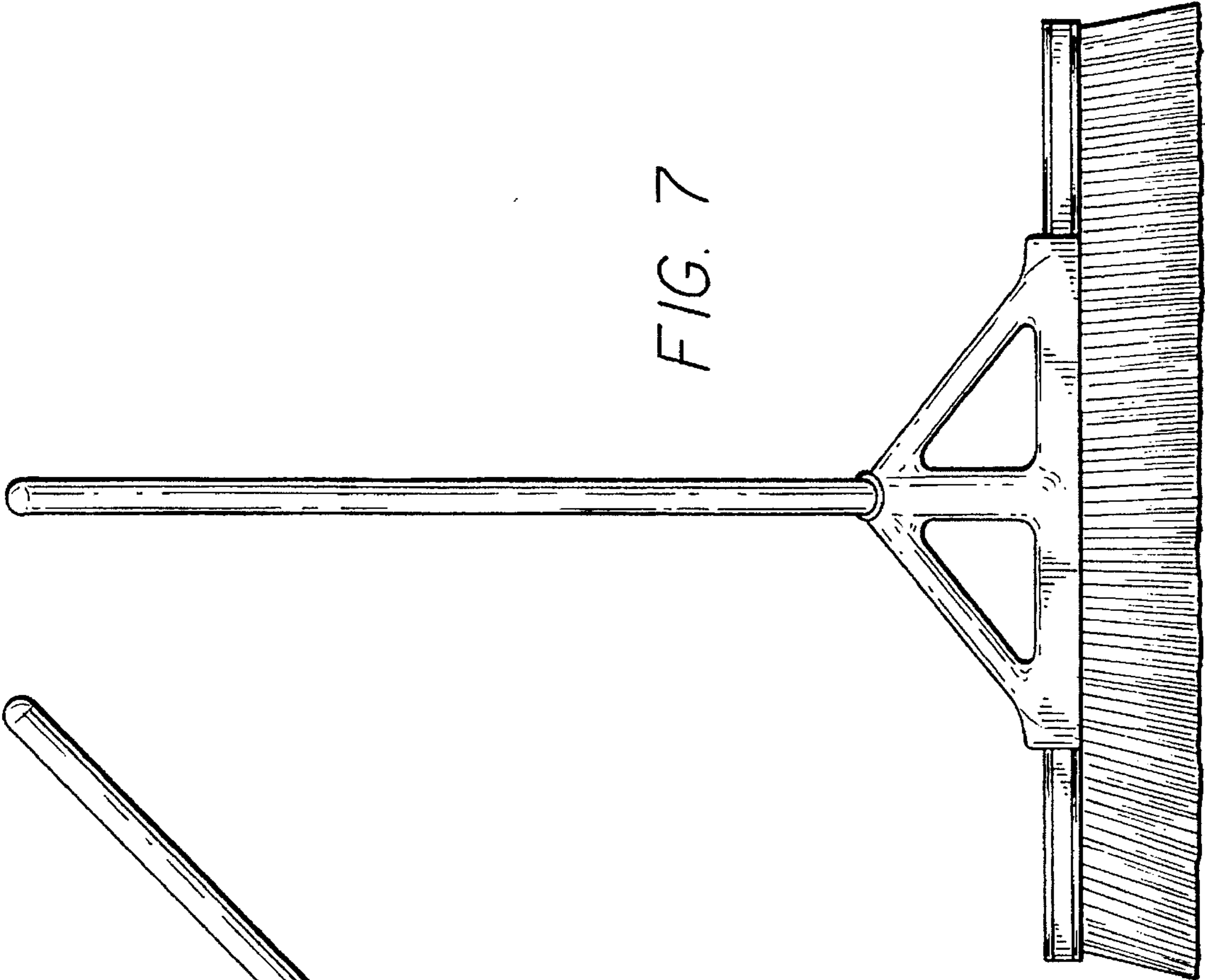


FIG. 7

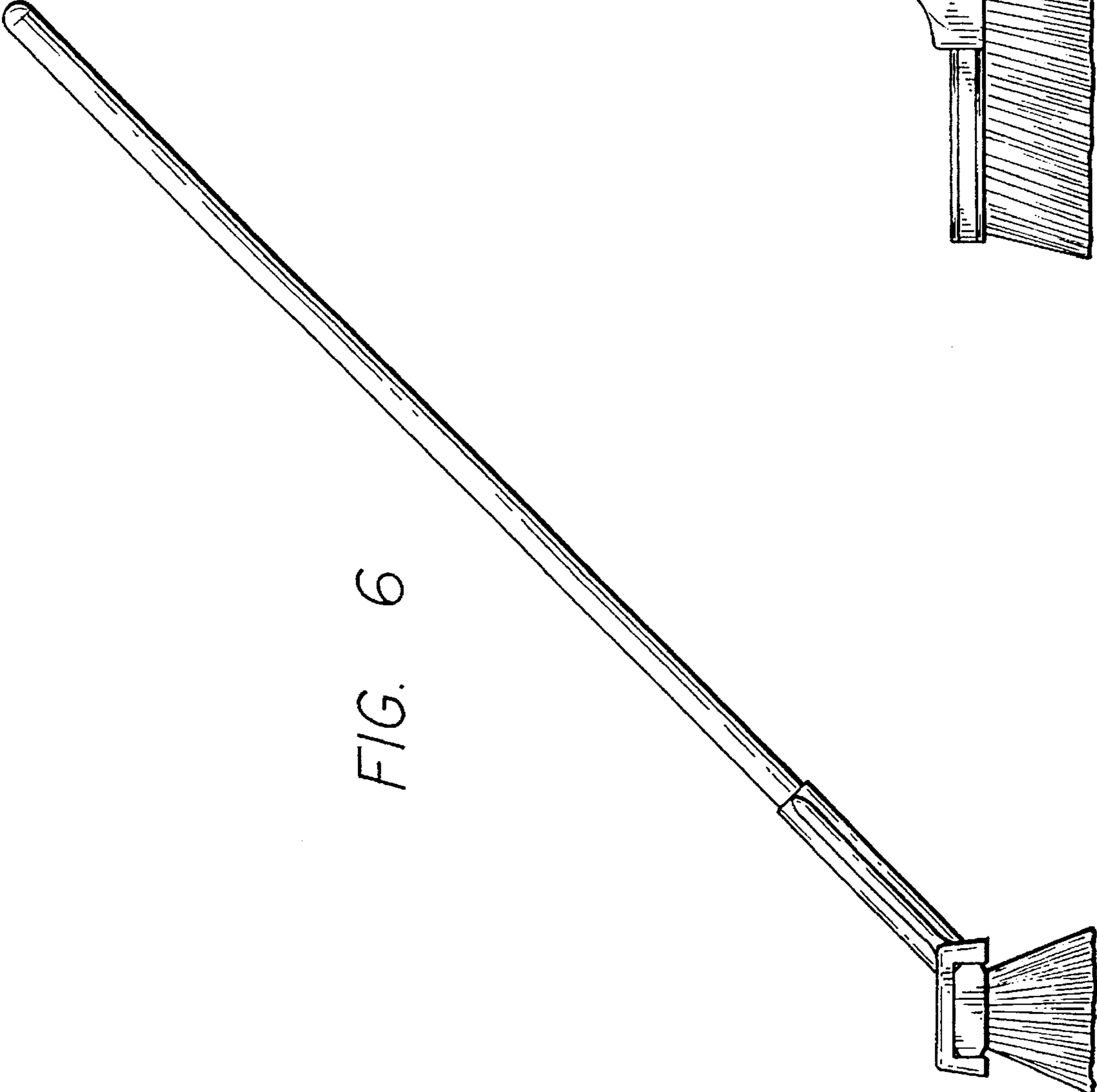


FIG. 6

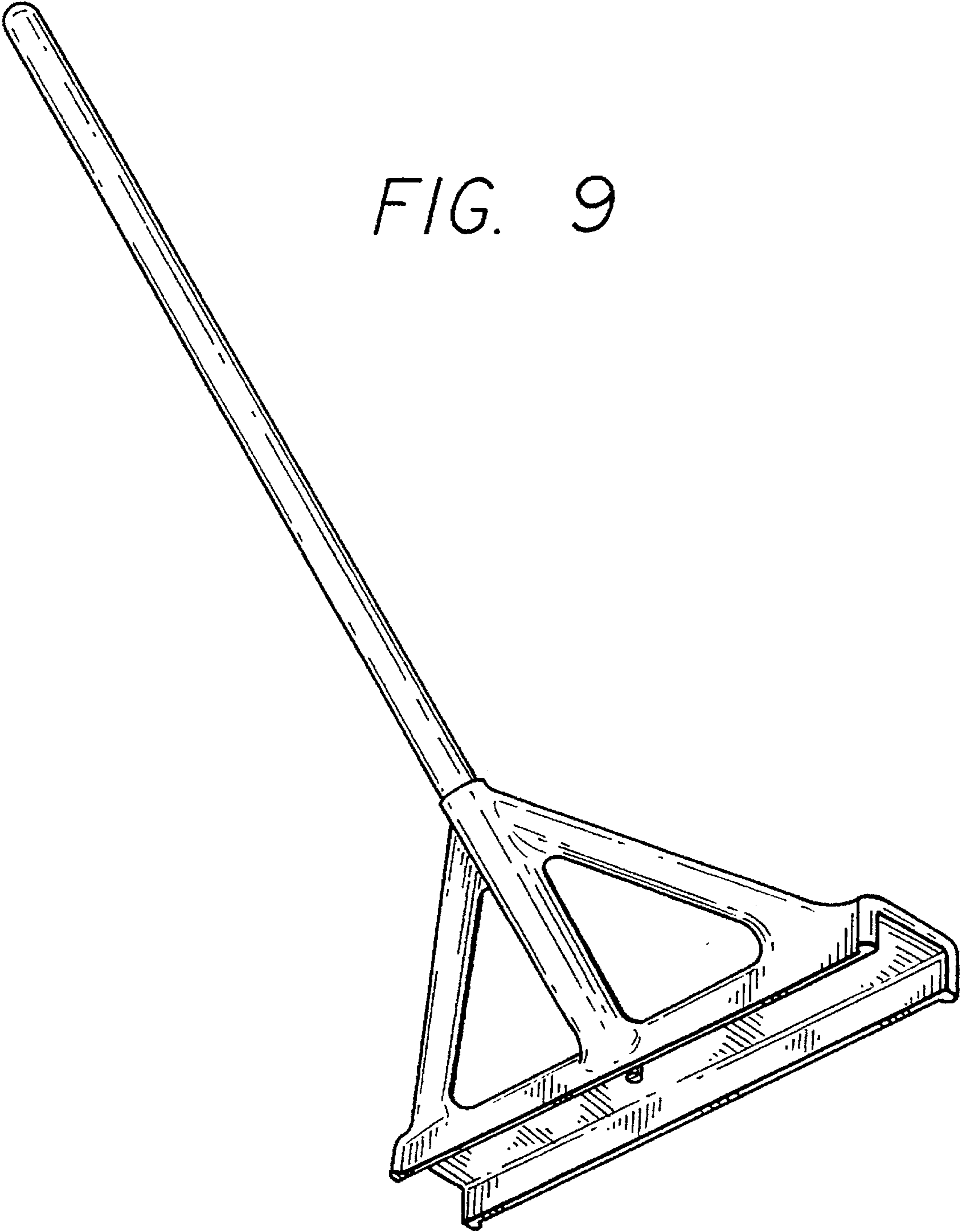


FIG. 9