



US00D382114S

# United States Patent [19]

[11] Patent Number: **Des. 382,114**

Dickinson et al.

[45] Date of Patent: **\*\*Aug. 12, 1997**

[54] **WHEELED STORAGE CONTAINER WITH RECESSED LATCHES**

[75] Inventors: **Thomas Dickinson; Bradley D. Gale,**  
both of St. Louis, Mo.

[73] Assignee: **Contico International, Inc.,** St. Louis, Mo.

[\*\*] Term: **14 Years**

[21] Appl. No.: **48,374**

[22] Filed: **Dec. 27, 1995**

[51] LOC (6) Cl. .... **03-01**

[52] U.S. Cl. .... **D3/279; D3/273; D3/294**

[58] Field of Search ..... **D3/905, 272, 273, D3/276, 279, 281, 294; D9/423, 424, 425; 220/324, 675, 335, 671, 770, 334; 206/508, 372, 373, 374, 504, 514, 518**

D. 328,425	8/1992	Brightbill .....	D9/424
D. 329,747	9/1992	Embree .....	D3/272
D. 330,329	10/1992	Brightbill .....	D9/424
D. 337,657	7/1993	March et al. .	
D. 338,238	8/1993	Aaldenberg et al. ....	D19/75
D. 347,324	5/1994	Dickinson .....	D3/272
D. 355,118	2/1995	Dickinson et al. ....	D9/425
D. 361,511	8/1995	Dickinson et al. ....	D9/425
D. 367,760	3/1996	Zimmerman .....	D3/314
D. 367,958	3/1996	Tisbo et al. ....	D3/273
3,987,829	10/1976	Leone .....	220/355
5,065,885	11/1991	Scaroni .....	220/326
5,193,706	3/1993	Hanna et al. ....	220/324
5,328,048	7/1994	Stein .....	220/334
5,464,115	11/1995	Tisbo et al. ....	220/324

*Primary Examiner*—Philip S. Hyder  
*Attorney, Agent, or Firm*—Howell & Haferkamp, L.C.

### [57] CLAIM

The ornamental design for a wheeled storage container with recessed latches, as shown and described.

### DESCRIPTION

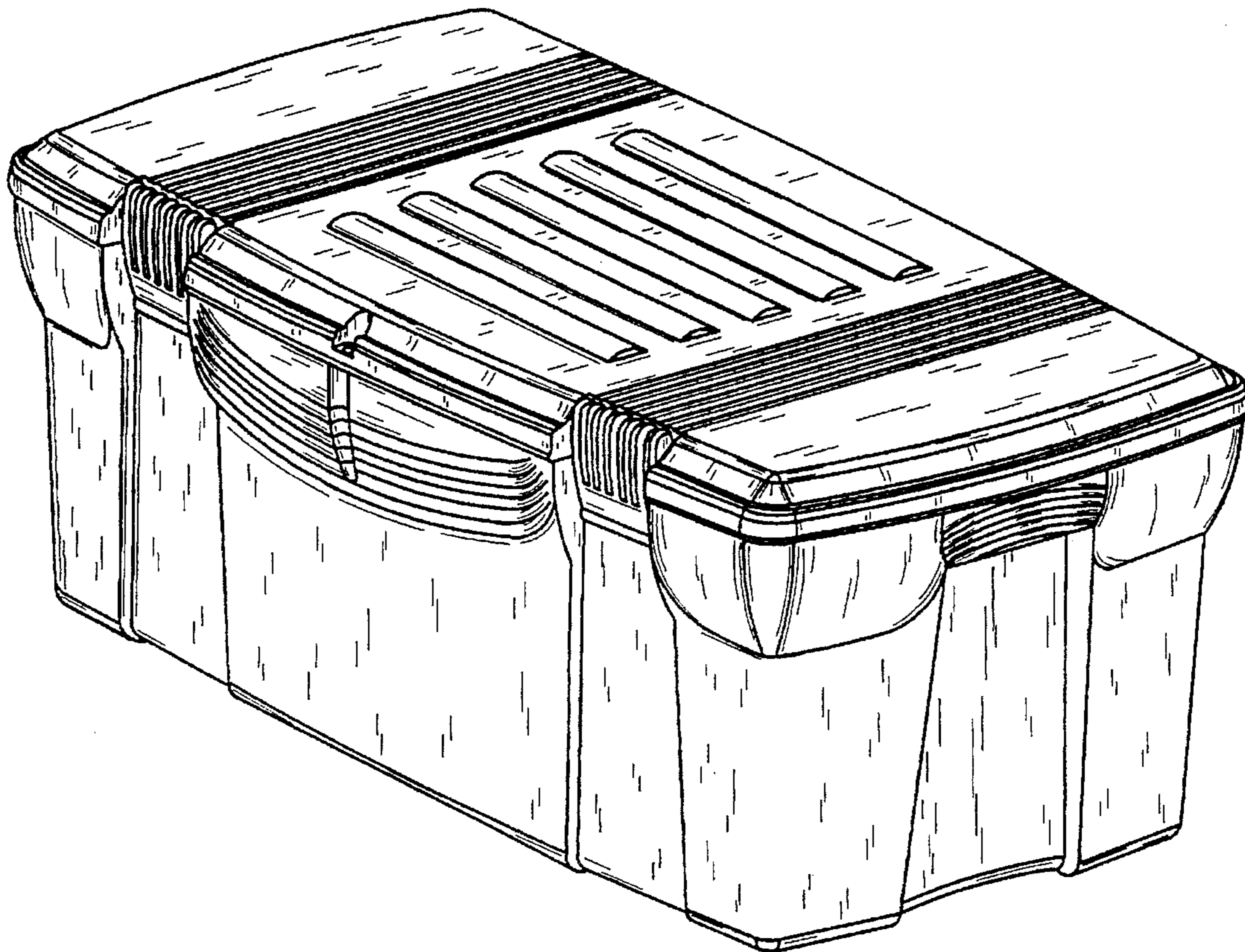
FIG. 1 is an orthographic projection of a wheeled storage container with recessed latches showing our new design; FIG. 2 is a right end elevational view thereof; FIG. 3 is a left end elevational view thereof; FIG. 4 is a front elevational view thereof; FIG. 5 is a rear elevational view thereof; FIG. 6 is a top view thereof; and, FIG. 7 is a bottom view thereof.

**1 Claim, 4 Drawing Sheets**

### [56] References Cited

#### U.S. PATENT DOCUMENTS

28,141	1/1860	Feder .	
D. 67,731	6/1925	Wheary .	
D. 88,346	11/1932	Fleisig .	
D. 167,782	9/1952	Weiss .	
D. 306,096	2/1990	Dickinson et al. .	
D. 319,016	8/1991	Kahl .....	D9/424
D. 321,091	10/1991	Dickinson .....	D3/294
D. 321,433	11/1991	Dickinson .	
D. 326,815	6/1992	Meisner et al. ....	D9/424



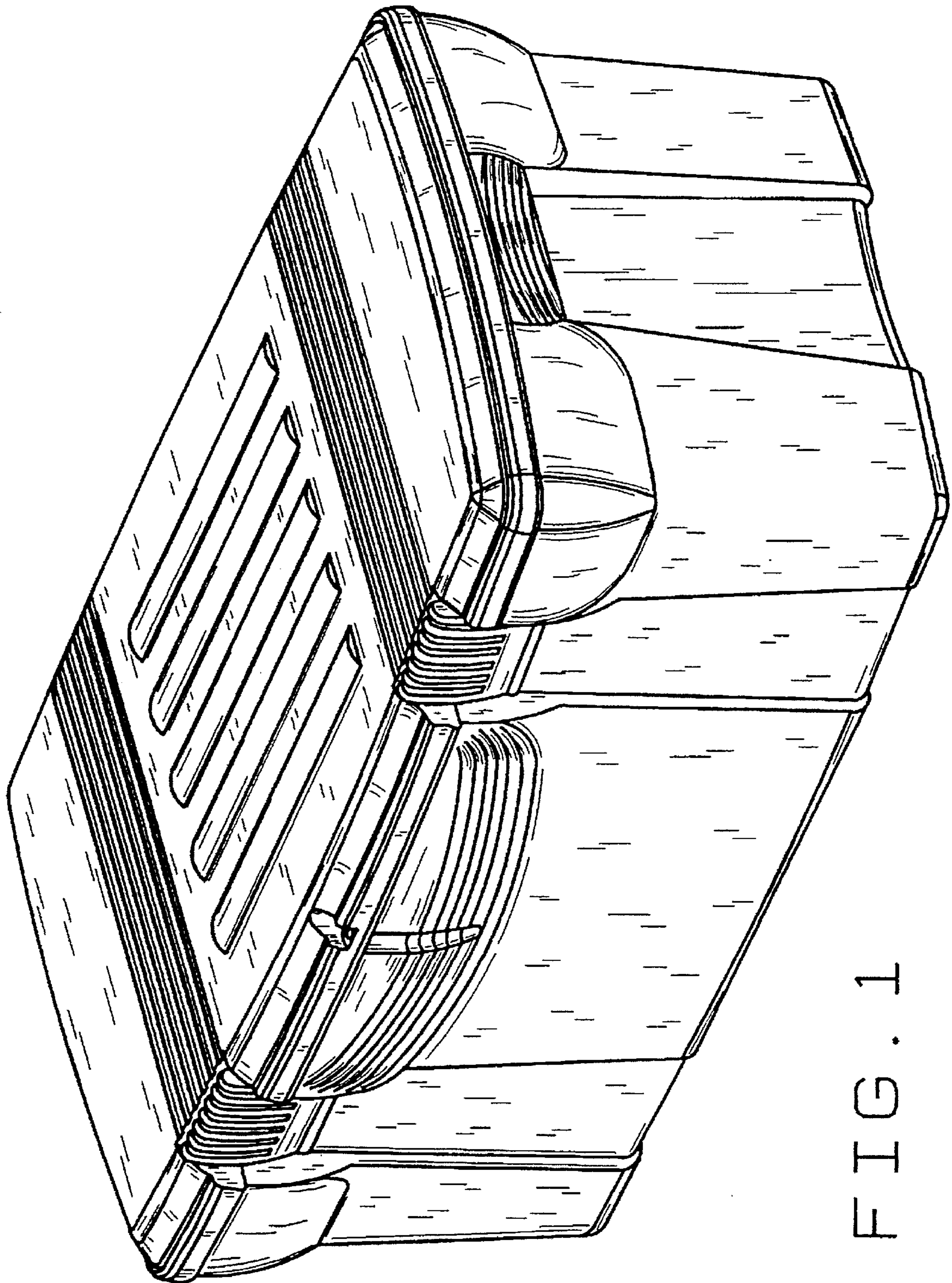


FIG. 1



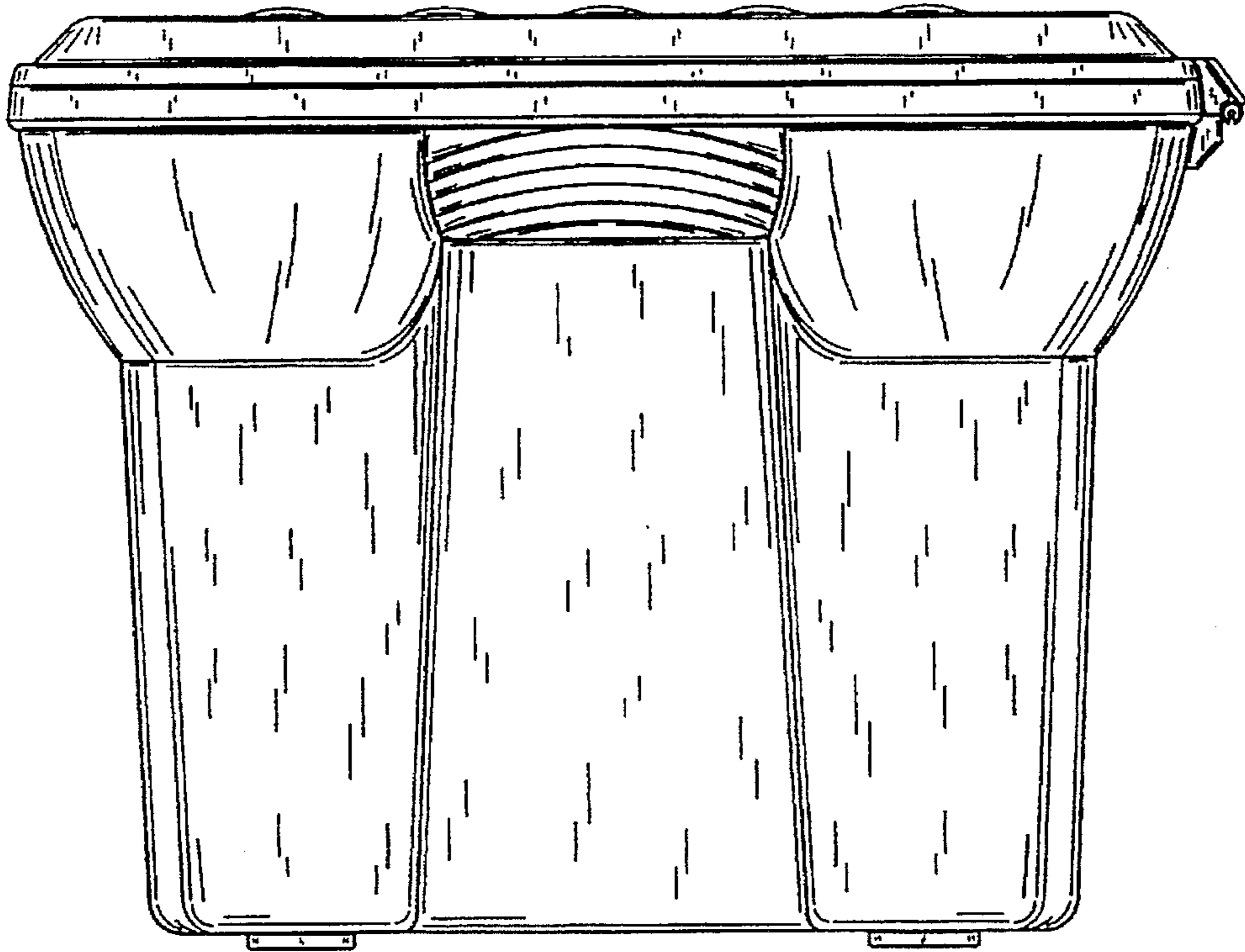


FIG. 2

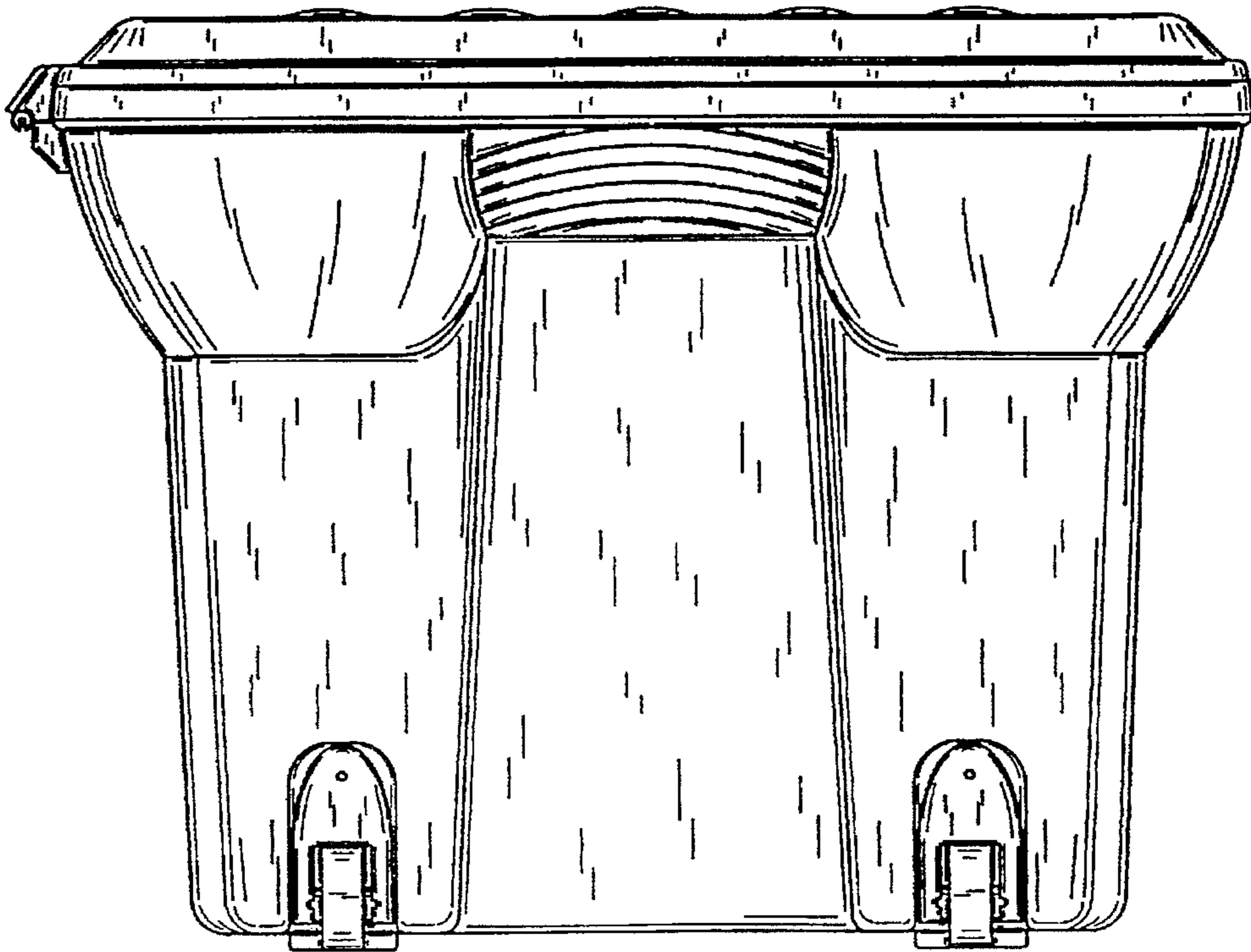


FIG. 3

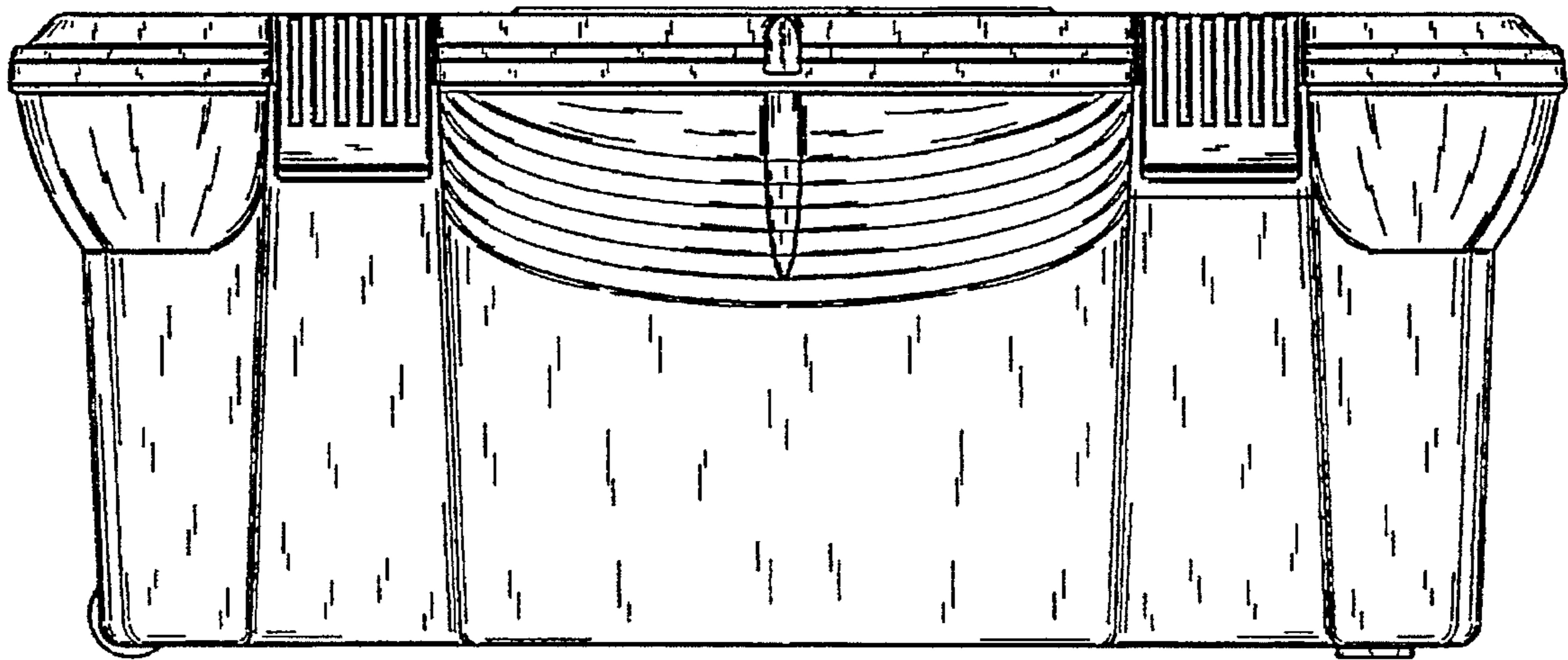


FIG. 4

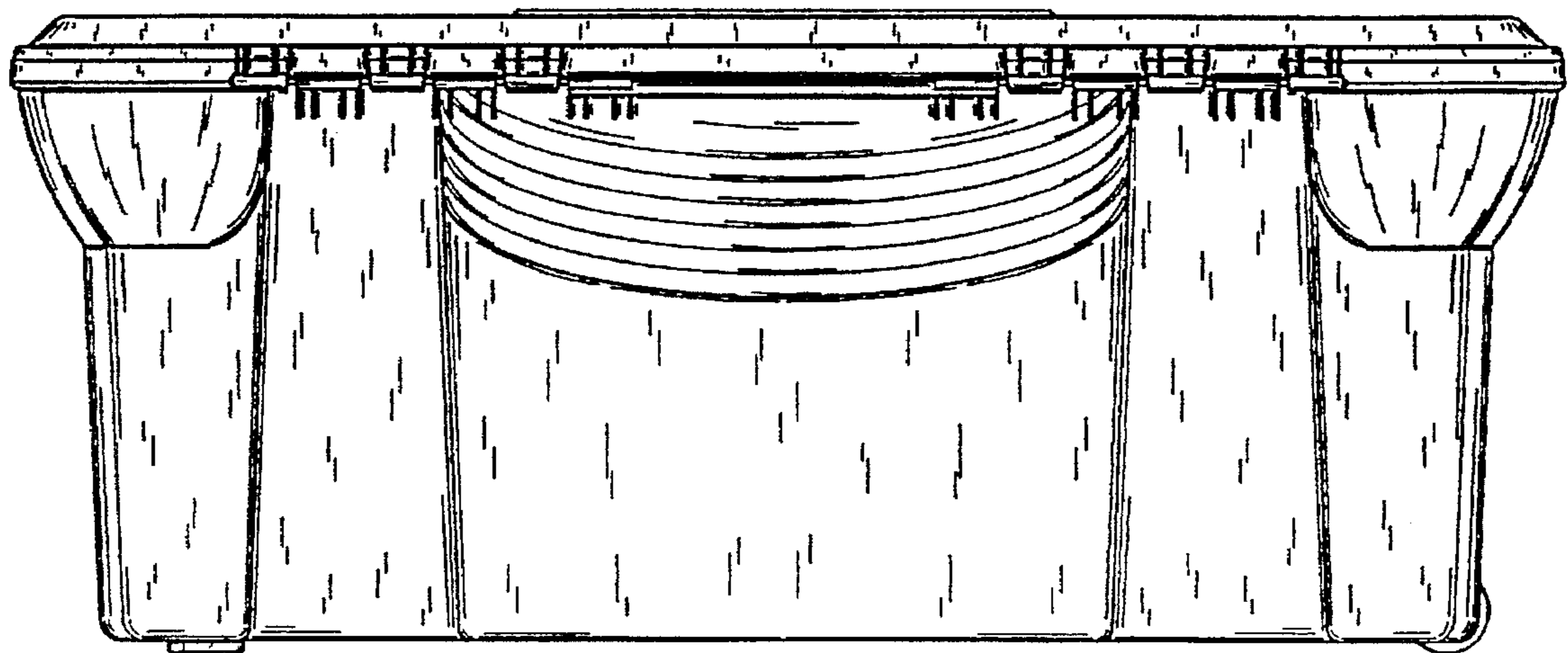


FIG. 5

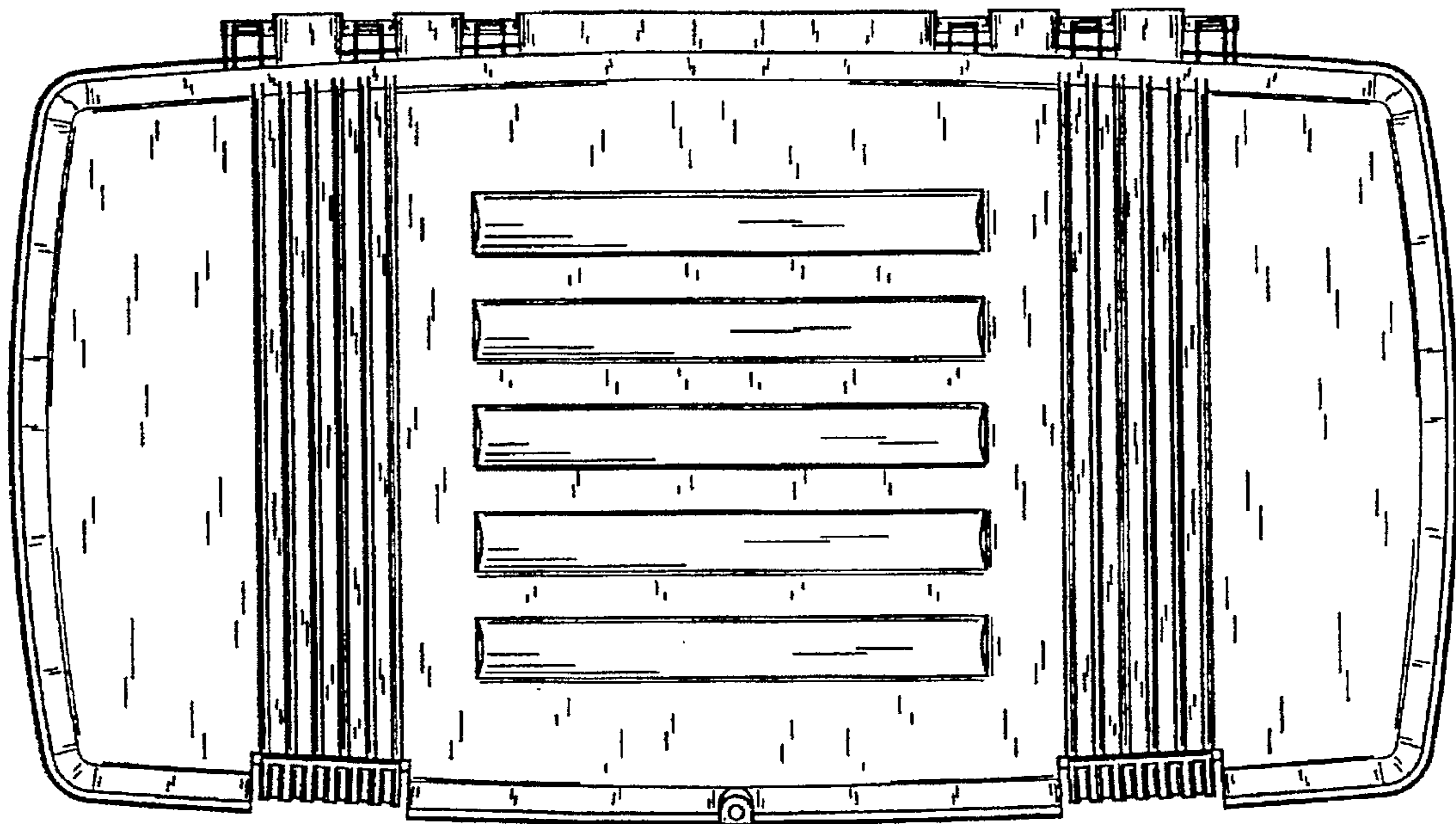


FIG. 6

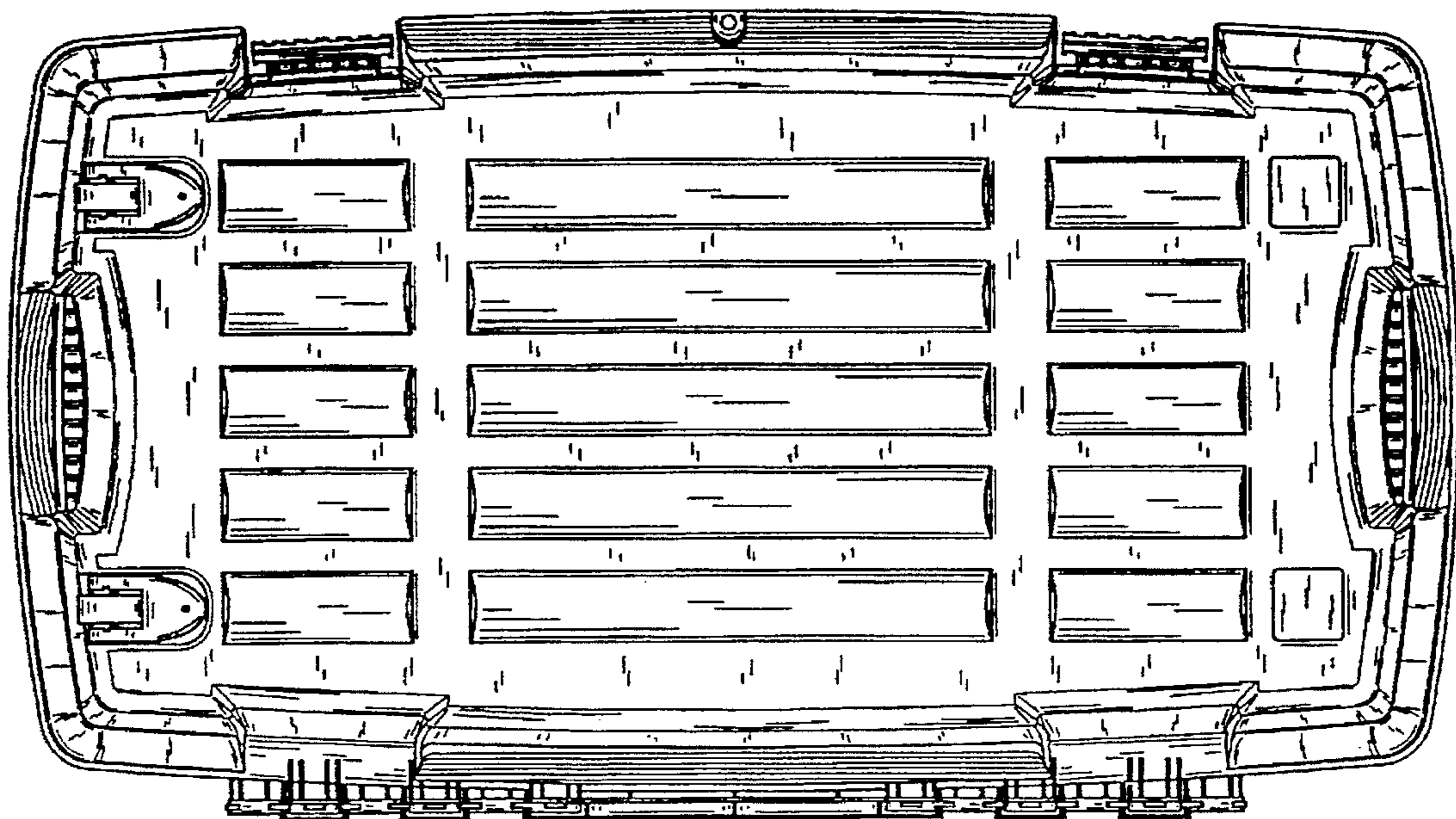


FIG. 7