



US00D382113S

**United States Patent** [19]  
**DuRapau**

[11] **Patent Number: Des. 382,113**  
[45] **Date of Patent: \*\*Aug. 12, 1997**

[54] **TOOL BOX**

[75] **Inventor: Kenrick J. DuRapau, Austin, Tex.**

[73] **Assignee: Storehorse, Inc., Austin, Tex.**

[\*\*] **Term: 14 Years**

[21] **Appl. No.: 46,471**

[22] **Filed: Nov. 15, 1995**

[51] **LOC (6) Cl. .... 03-01**

[52] **U.S. Cl. .... D3/274; D3/281; D3/905**

[58] **Field of Search .... D3/274, 281, 905;  
D8/71; D6/349, 350, 336, 355; 206/372,  
373, 349; 312/235 R. 237**

4,366,998	1/1983	Kaiser .....	312/235 R
4,387,940	6/1983	Chandler .....	312/184
4,460,085	7/1984	Jantzen .....	206/349
4,505,386	3/1985	Abrahamson .....	206/315.11
4,550,828	11/1985	Baldwin et al. ....	206/349
4,744,613	5/1988	Brantingham et al. ....	312/235 R

**FOREIGN PATENT DOCUMENTS**

504063 7/1954 Canada .

*Primary Examiner*—Philip S. Hyder

*Attorney, Agent, or Firm*—Russell D. Culbertson; Shaffer & Culbertson

[57] **CLAIM**

The ornamental design for a tool box, as shown and described.

[56] **References Cited**

**U.S. PATENT DOCUMENTS**

D. 134,359	11/1942	Warth, Sr. .	
D. 276,861	12/1984	Keddie .....	D6/336
D. 287,434	12/1986	Wolfe et al. ....	D6/336
D. 295,001	4/1988	Ferdinand et al. ....	D6/349
D. 298,674	11/1988	Koller, Sr. ....	D6/336
D. 314,472	2/1991	Brantingham et al. .	
D. 347,527	6/1994	Breen et al. ....	D6/349
D. 351,508	10/1994	Bonazza .....	D6/349
D. 354,210	1/1995	Dickinson et al. ....	D8/71
D. 355,828	2/1995	Dickinson et al. ....	D6/349
564,032	7/1896	Smith .	
1,268,124	6/1918	Jennings .	
3,305,076	2/1967	Fleenor .	
3,481,066	12/1969	Woolworth .	

**DESCRIPTION**

FIG. 1 is a view in perspective of a tool box, showing my new design;

FIG. 2 is an end elevational view of the tool box shown in FIG. 1, the opposite end view being identical thereto;

FIG. 3 is a side elevational view of the tool box shown in FIG. 1, the opposite side view being identical thereto;

FIG. 4 is a bottom view of the tool box shown in FIG. 1;

FIG. 5 is a view in perspective of the tool box shown in FIG. 1, with the cover removed;

FIG. 6 is a top view of the tool box shown in FIG. 1; and,

FIG. 7 is a top view of the tool box shown in FIG. 1 with the cover removed as shown in FIG. 5.

**1 Claim, 6 Drawing Sheets**

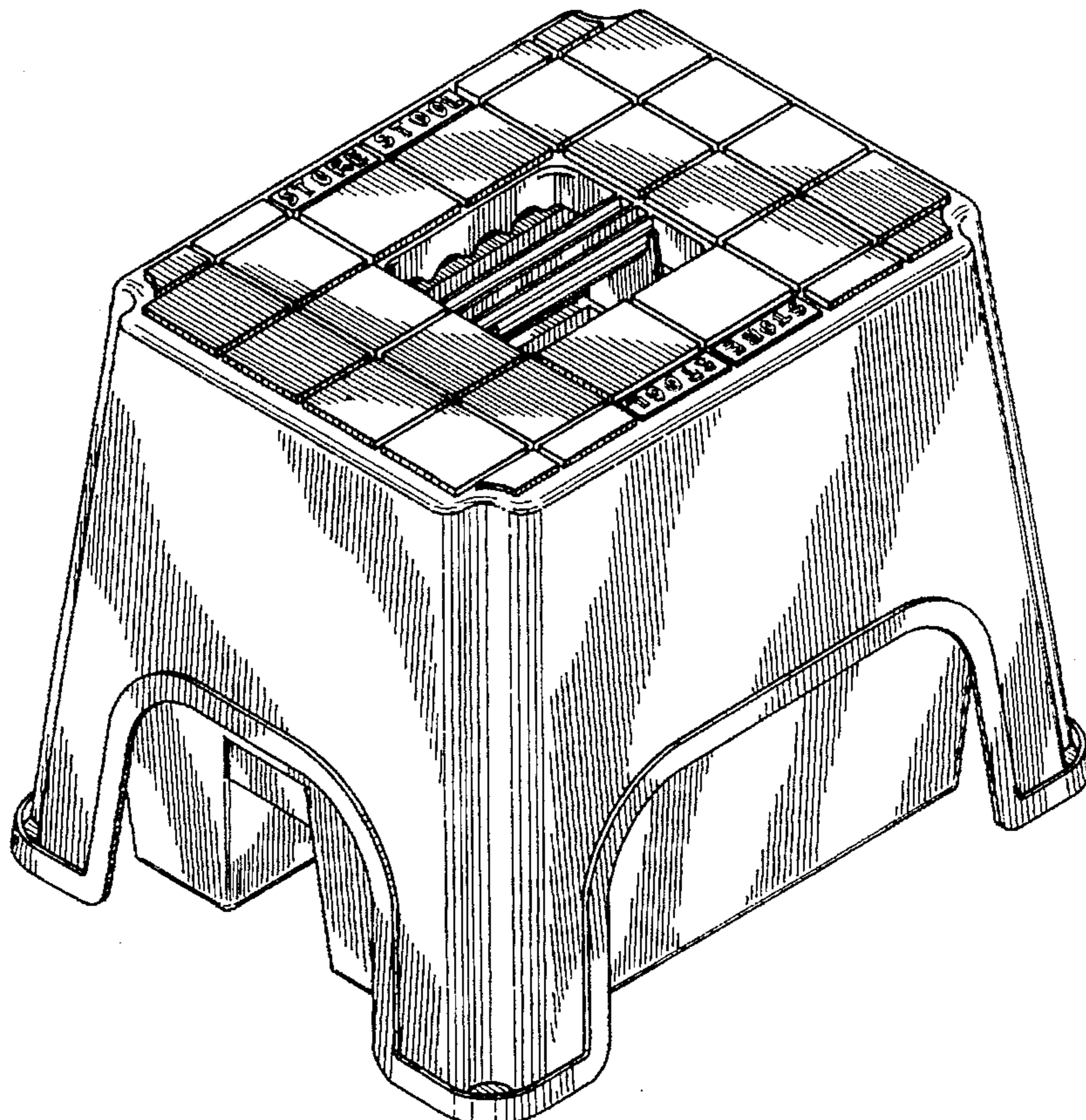
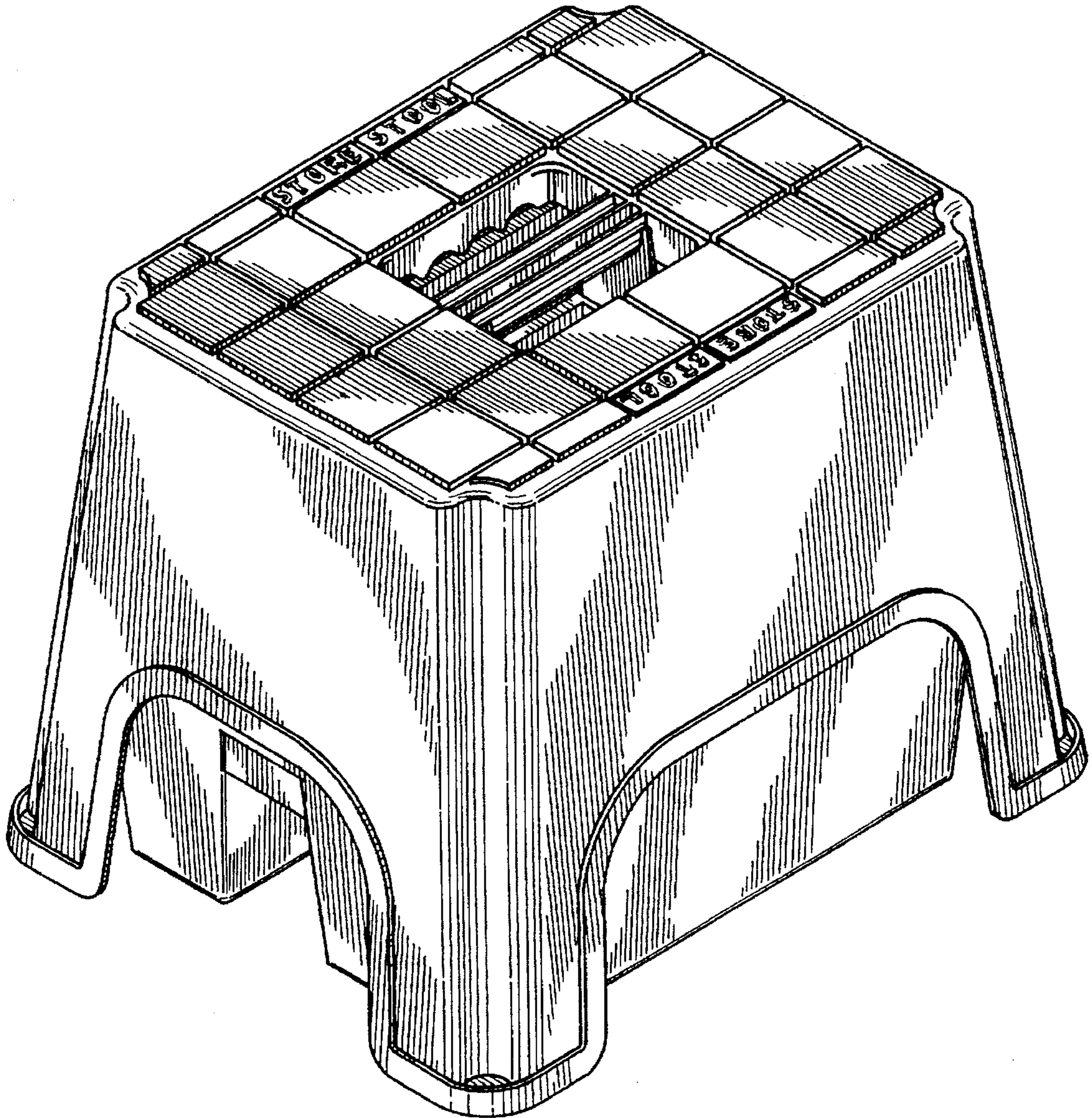


FIG. 1



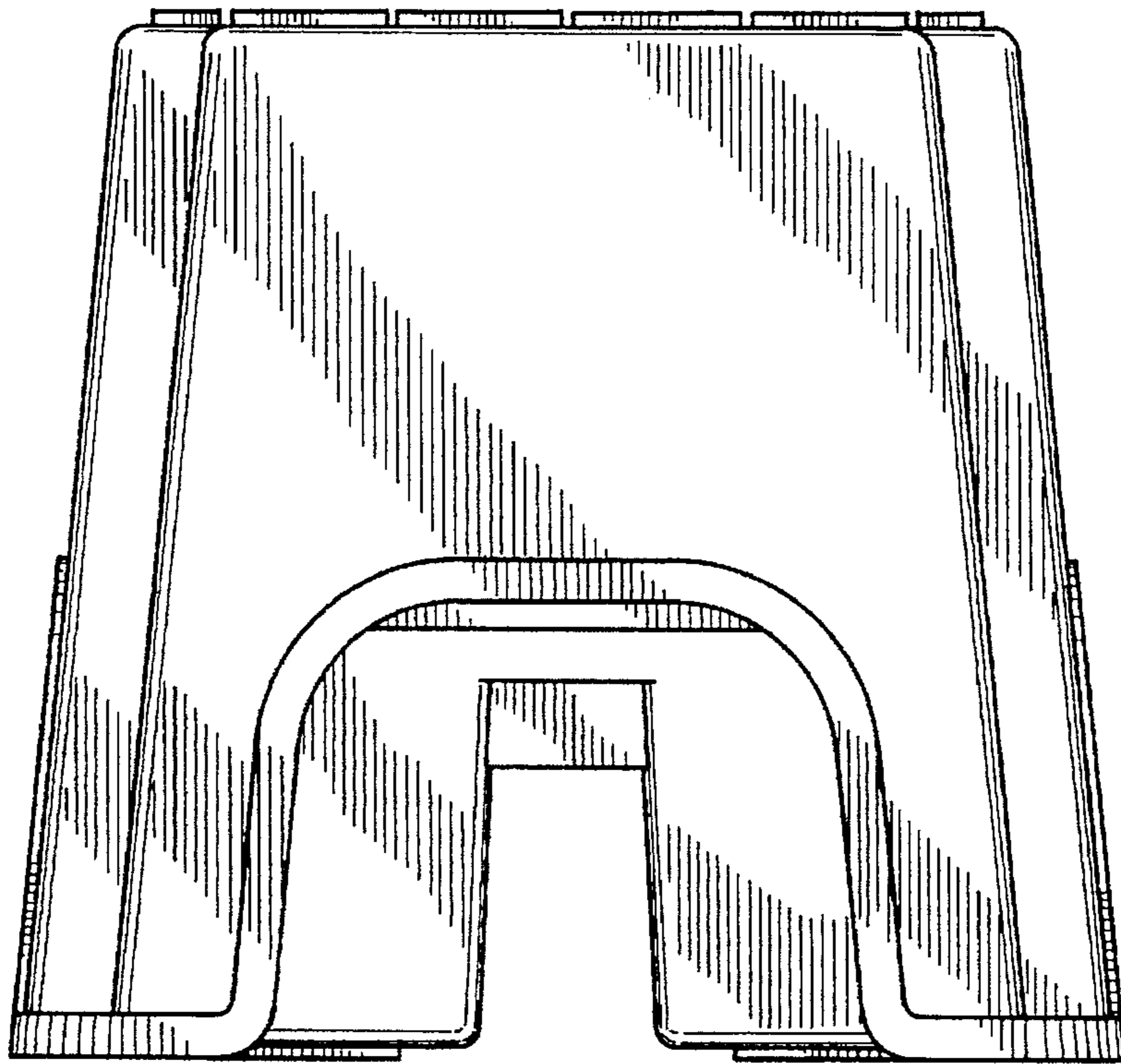


FIG. 2

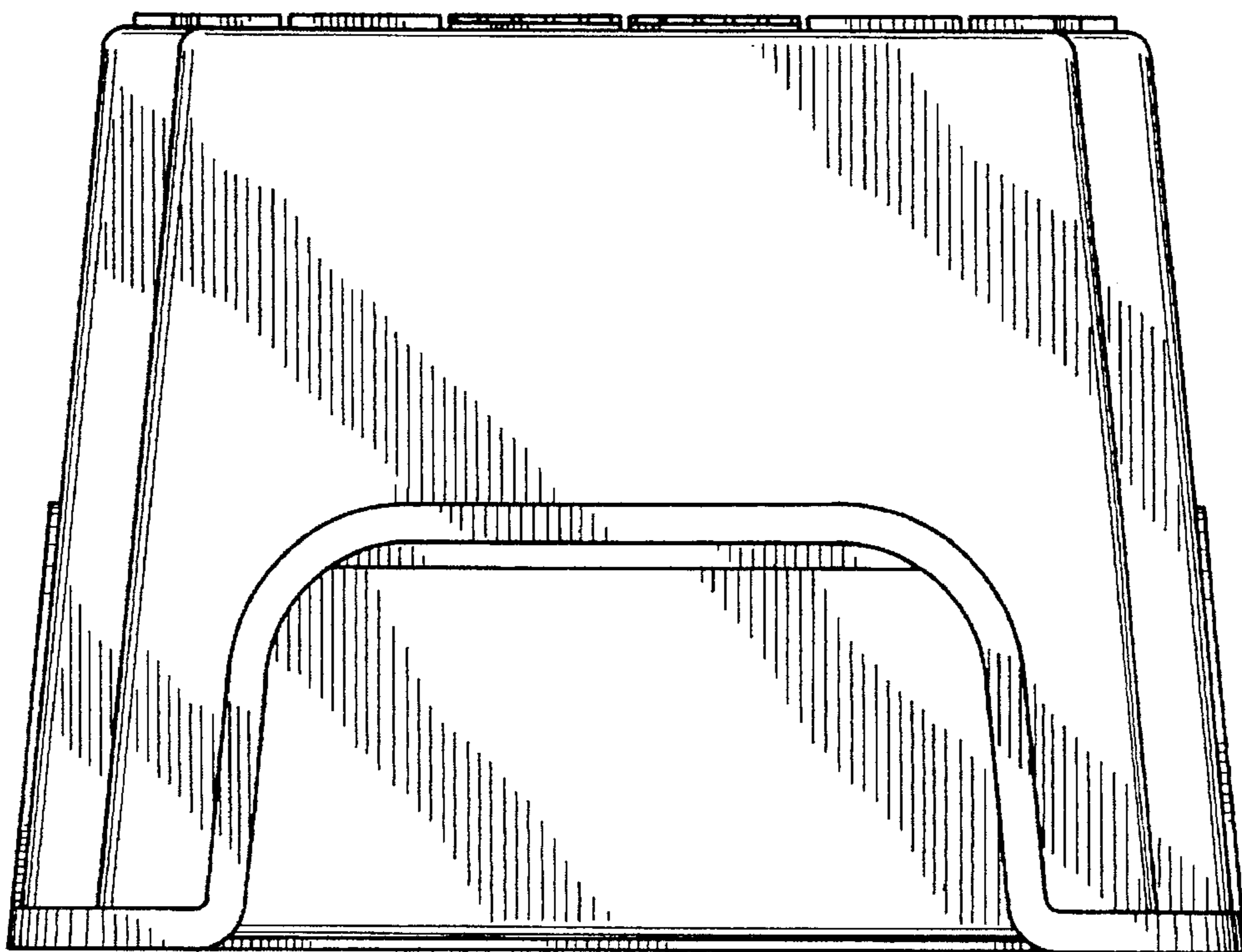


FIG. 3

FIG. 4

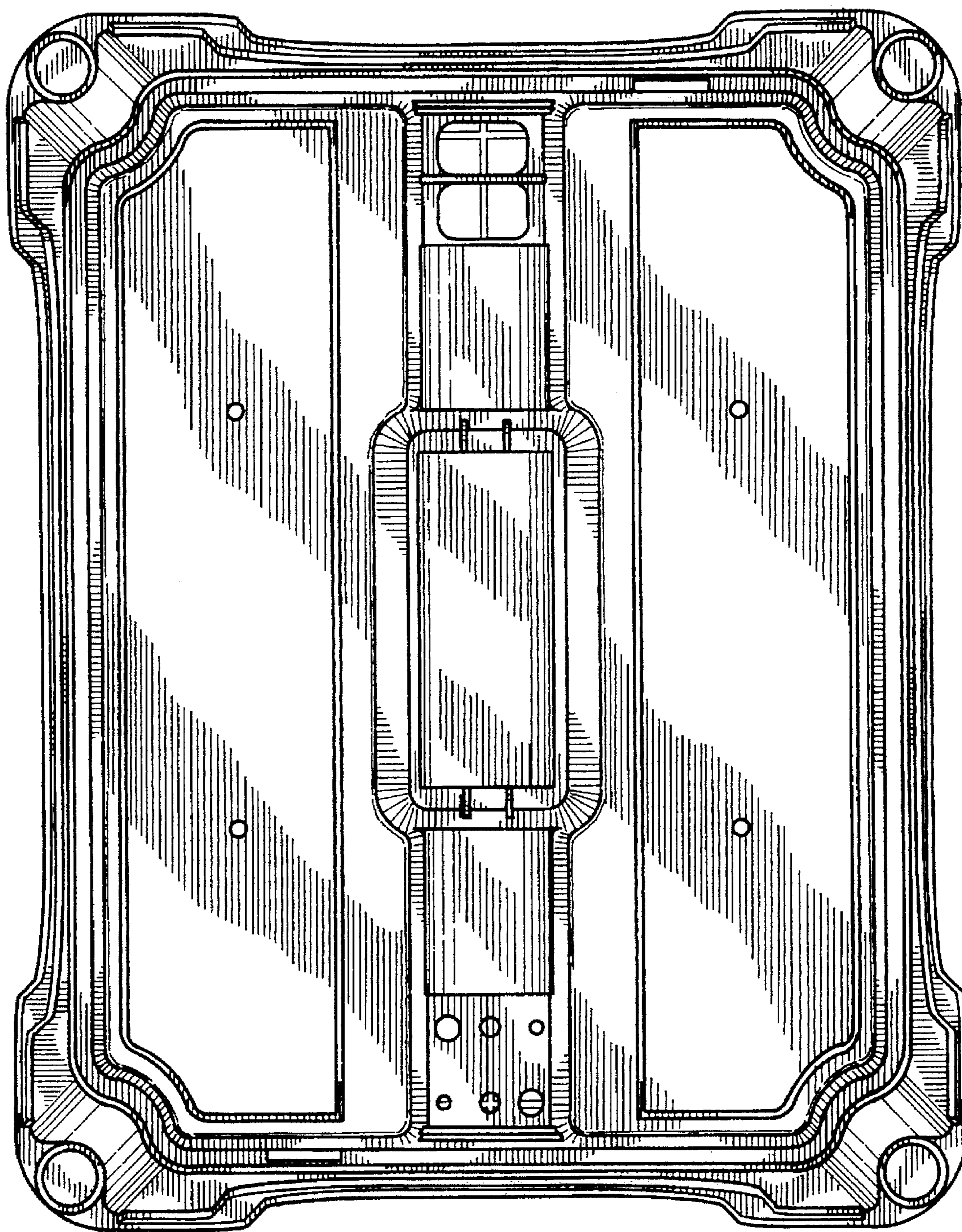


FIG. 5

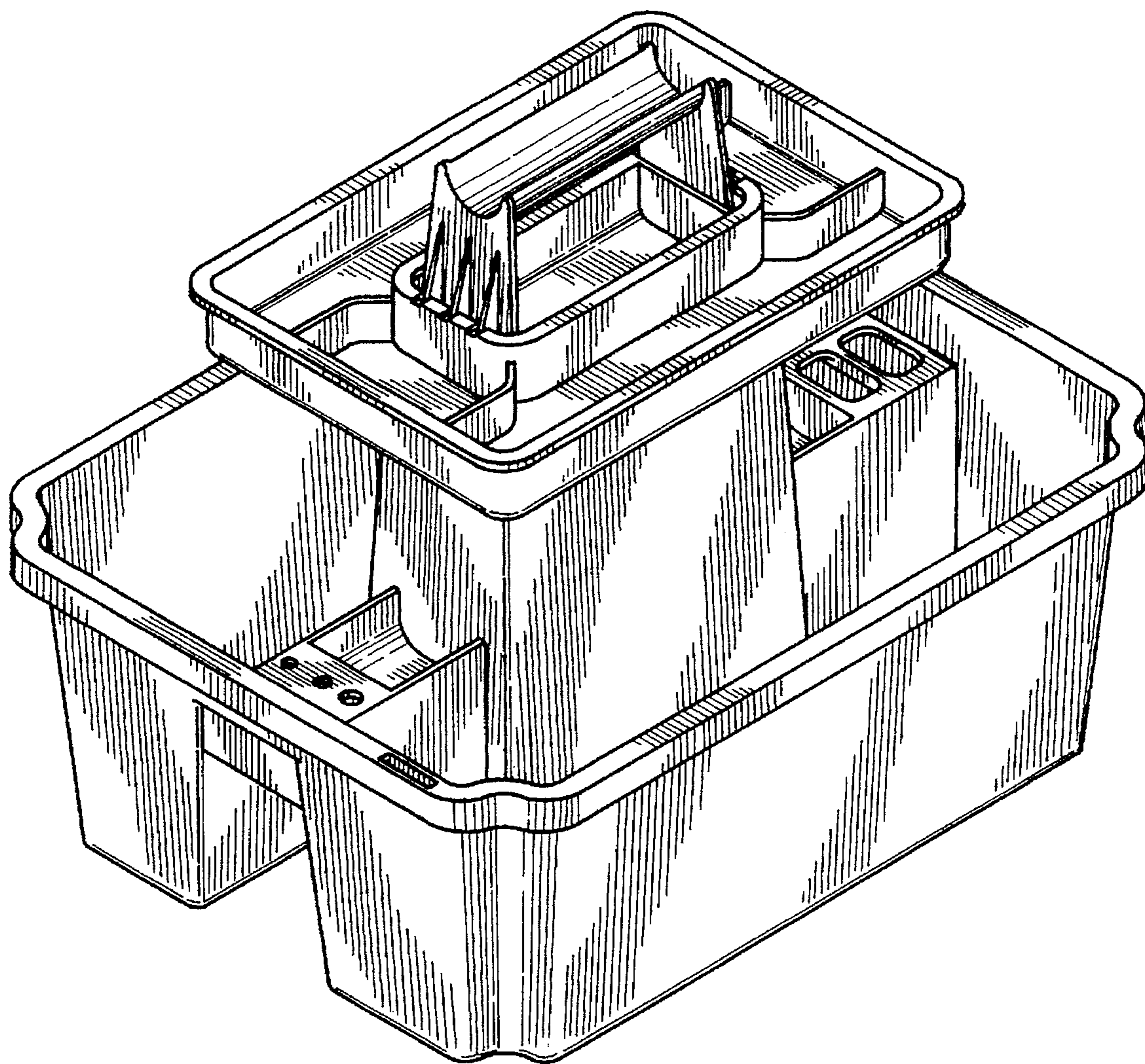


FIG. 6

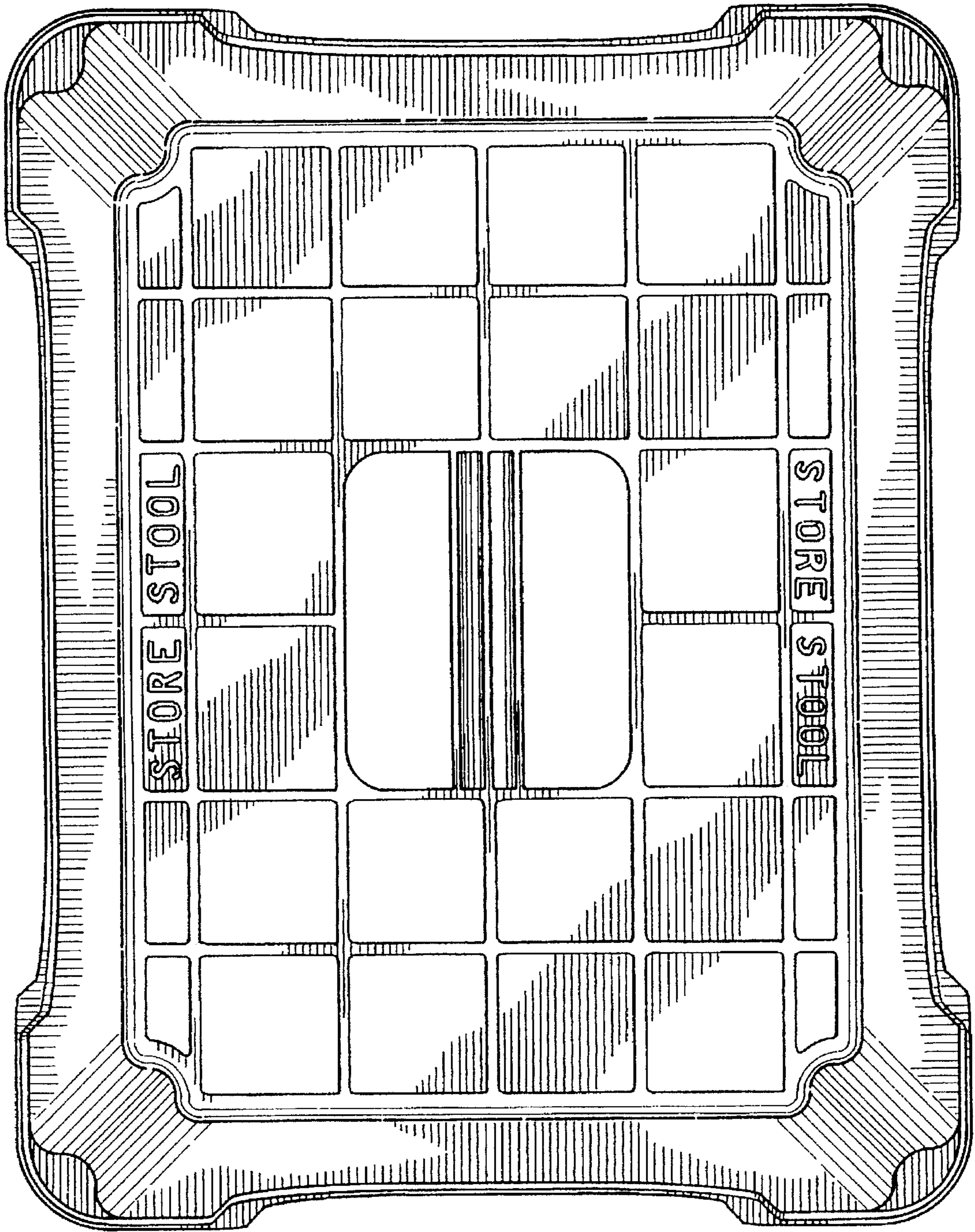


FIG. 7

