



US00D382111S

United States Patent [19]

[11] Patent Number: **Des. 382,111**

Bardus et al.

[45] Date of Patent: ****Aug. 12, 1997**

[54] **SPUTTER TARGET CONTAINER**

[75] Inventors: **Steven L. Bardus**, Westerville;
Thomas J. Ashbrook; **Timothy A. Friar**, both of Columbus, all of Ohio

D. 348,220 6/1994 Herzog et al. D9/428
D. 352,896 11/1994 Jones D9/428
D. 359,448 6/1995 Aronson D9/428
3,464,579 9/1969 Asenbauer 220/324
3,746,205 7/1973 Helguera 220/324
3,868,041 2/1975 Knize 220/324
5,282,943 2/1994 Lannutti et al. 204/192.12

[73] Assignee: **Tosoh SMD, Inc.**, Grove City, Ohio

[**] Term: **14 Years**

Primary Examiner—Philip S. Hyder
Attorney, Agent, or Firm—Biebel & French

[21] Appl. No.: **47,704**

[57] CLAIM

[22] Filed: **Dec. 11, 1995**

The ornamental design for a sputter target container, as shown and described.

[51] LOC (6) Cl. **03-01**

[52] U.S. Cl. **D3/273**; D9/428

[58] Field of Search D3/272, 273; D9/428,
D9/429, 424, 425, 423; 220/324, 319, 318;
206/323, 324; 204/192.12, 298.12

DESCRIPTION

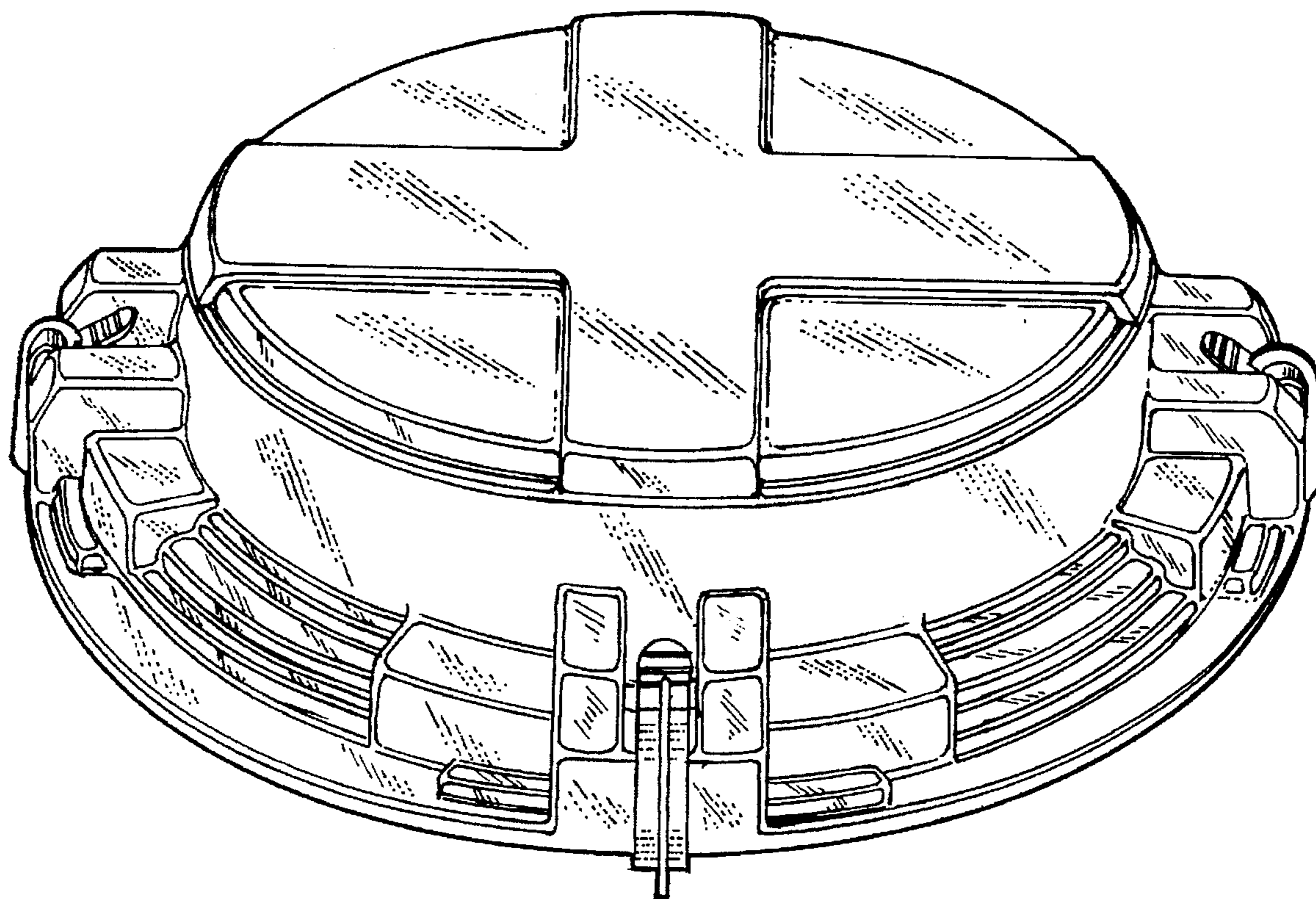
FIG. 1 is a top orthogonal view of the container;
FIG. 2 is a top plan view of the container;
FIG. 3 is a side elevational view of the container; and,
FIG. 4 is a bottom plan view of the container.

[56] References Cited

U.S. PATENT DOCUMENTS

D. 292,176 10/1987 Kuerli D9/428

1 Claim, 3 Drawing Sheets



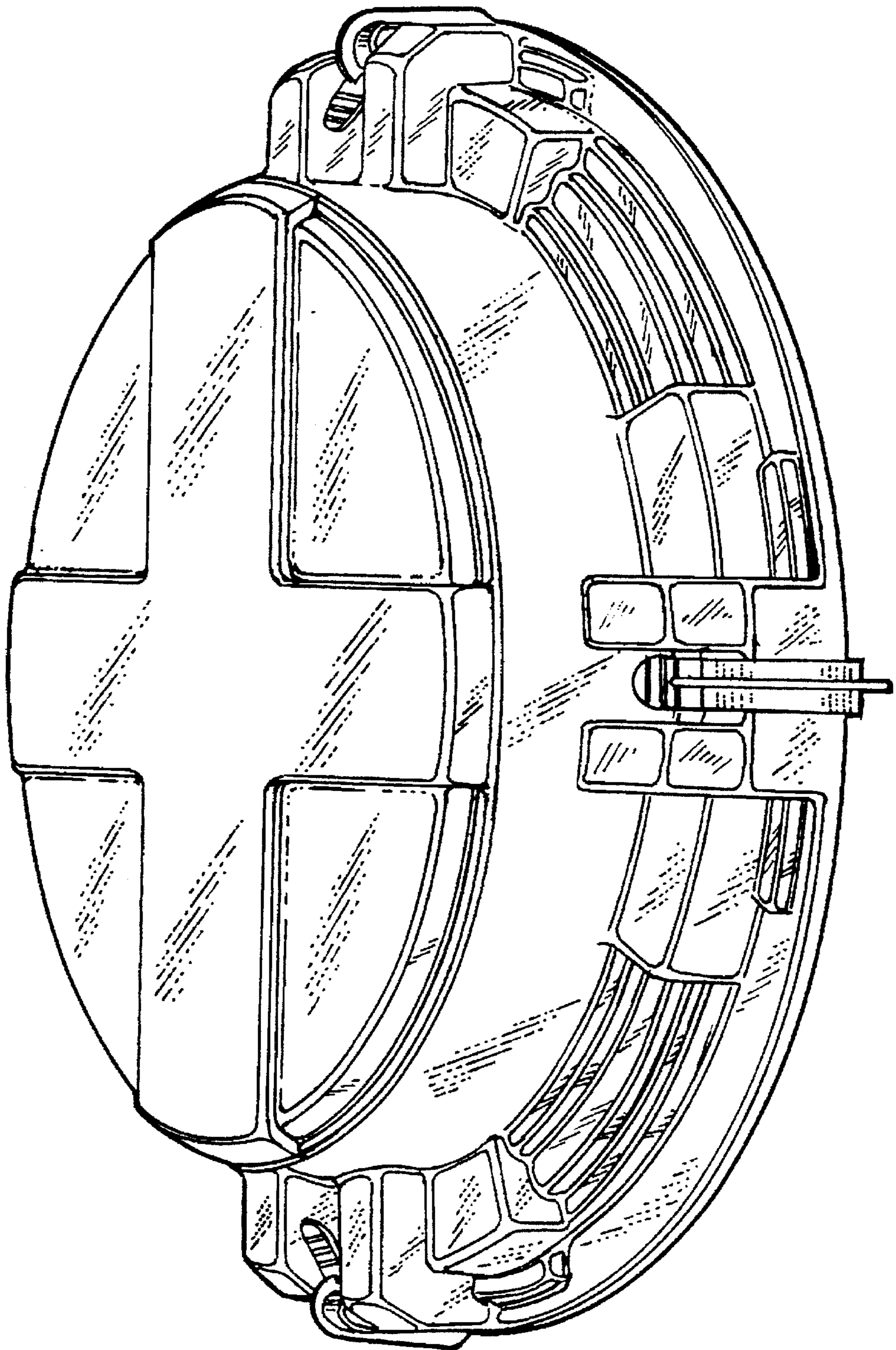


FIG-1

FIG. 2

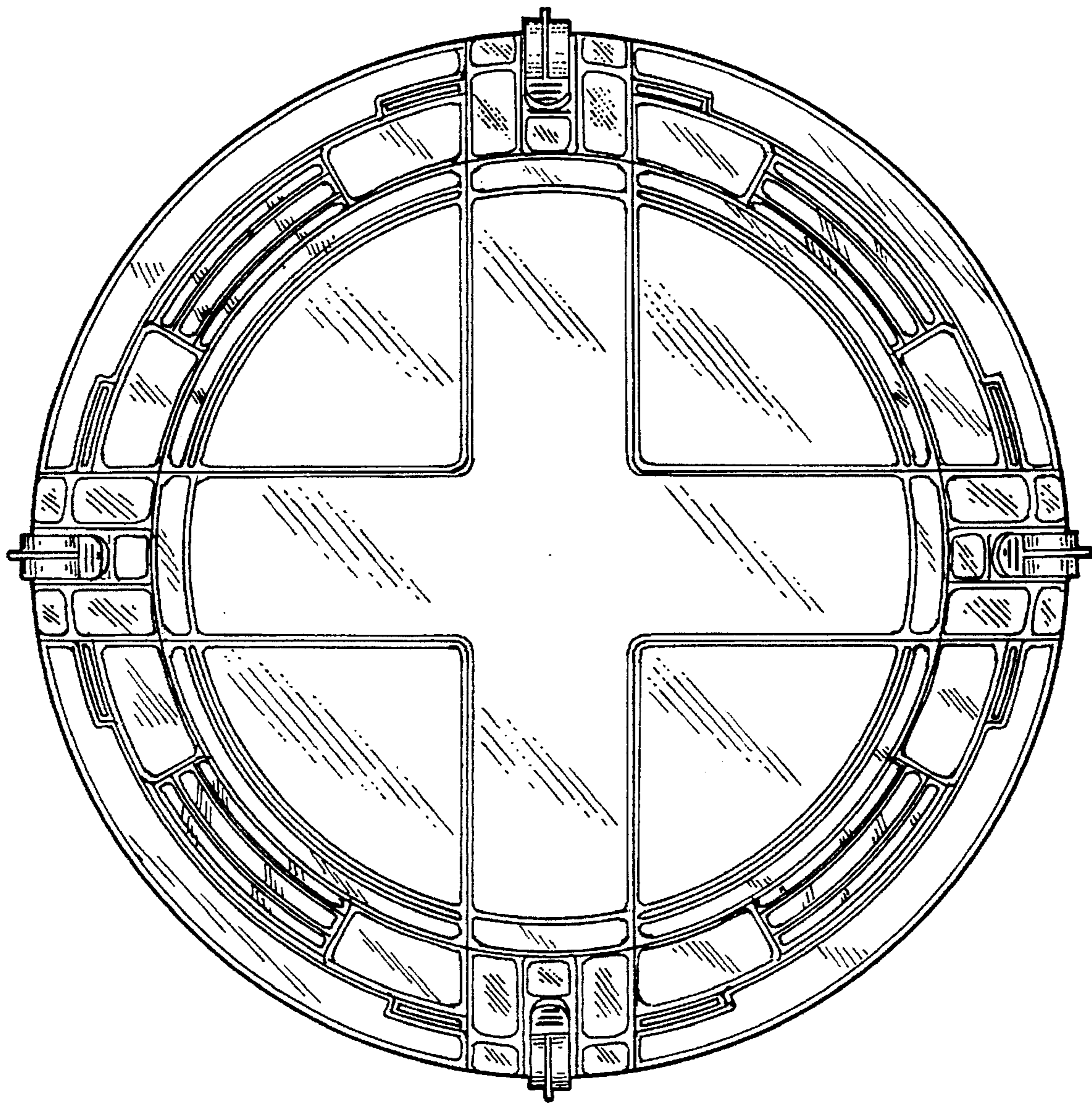


FIG-3

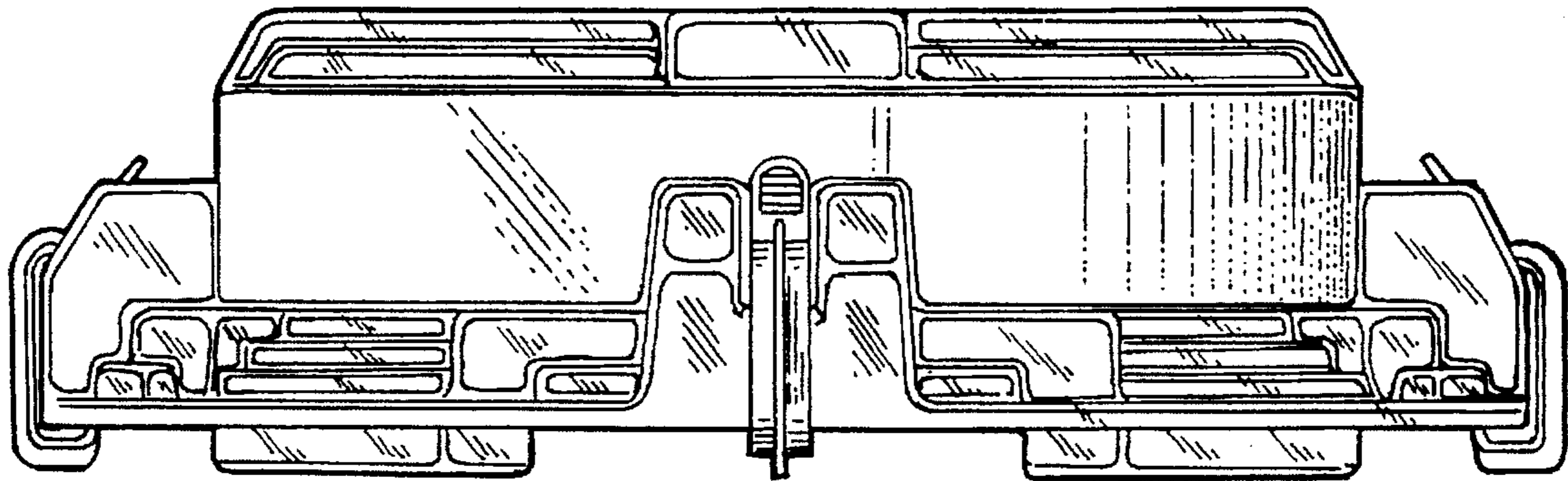


FIG-4

