



US00D382109S

# United States Patent [19]

[11] Patent Number: **Des. 382,109**

Green-Law et al.

[45] Date of Patent: **\*\*Aug. 12, 1997**

[54] **FISHERMAN'S TACKLE BOX AND TWO PRONG FISHING TOOL**

[76] Inventors: **Donna Green-Law; Larry Odell Law**, both of 4606 B St. SE., Washington, D.C. 20019

[\*\*] Term: **14 Years**

[21] Appl. No.: **50,481**

[22] Filed: **Feb. 27, 1996**

[51] LOC (6) Cl. .... **03-01**

[52] U.S. Cl. .... **D3/260; D3/904; D3/905**

[58] Field of Search ..... D3/260, 904, 905, D3/273, 259; D22/134, 136; 43/54.1, 55, 57.1, 25.2, 26

### [56] References Cited

#### U.S. PATENT DOCUMENTS

D. 158,368	5/1950	Felts et al. ....	D3/260	X
D. 325,672	4/1992	Baker .....	D3/905	X
D. 354,395	1/1995	Harrold .....	D3/260	
3,948,579	4/1976	Schirmer .....	206/315.11	X
4,841,660	6/1989	James .....	43/54.1	R
4,841,661	6/1989	Moore .....	43/54.1	

*Primary Examiner*—Doris V. Coles  
*Assistant Examiner*—Catherine R. Oliver  
*Attorney, Agent, or Firm*—Jerome J. Norris

### [57] CLAIM

The ornamental design for a fisherman's tackle box and two prong fishing tool, as shown and described.

### DESCRIPTION

FIG. 1 is a perspective view of the fisherman's tackle box and two prong fishing tool showing my new design;  
 FIG. 2 is a front view thereof;  
 FIG. 3 is a front view thereof, with the front shown in an open position;  
 FIG. 4 is a rear view thereof;  
 FIG. 5 is a left side elevational view thereof;  
 FIG. 6 is a right side elevational view thereof; with the box shown in an open position;  
 FIG. 7 is a top view thereof;  
 FIG. 8 is a top view thereof; with the box shown in an open position;  
 FIG. 9 is a bottom view thereof; and,  
 FIG. 10 is a perspective view, with the box shown in an open position.  
 The broken line showing of environment in FIG. 10 is for illustrative purposes only and forms no part of the claimed design.

**1 Claim, 5 Drawing Sheets**

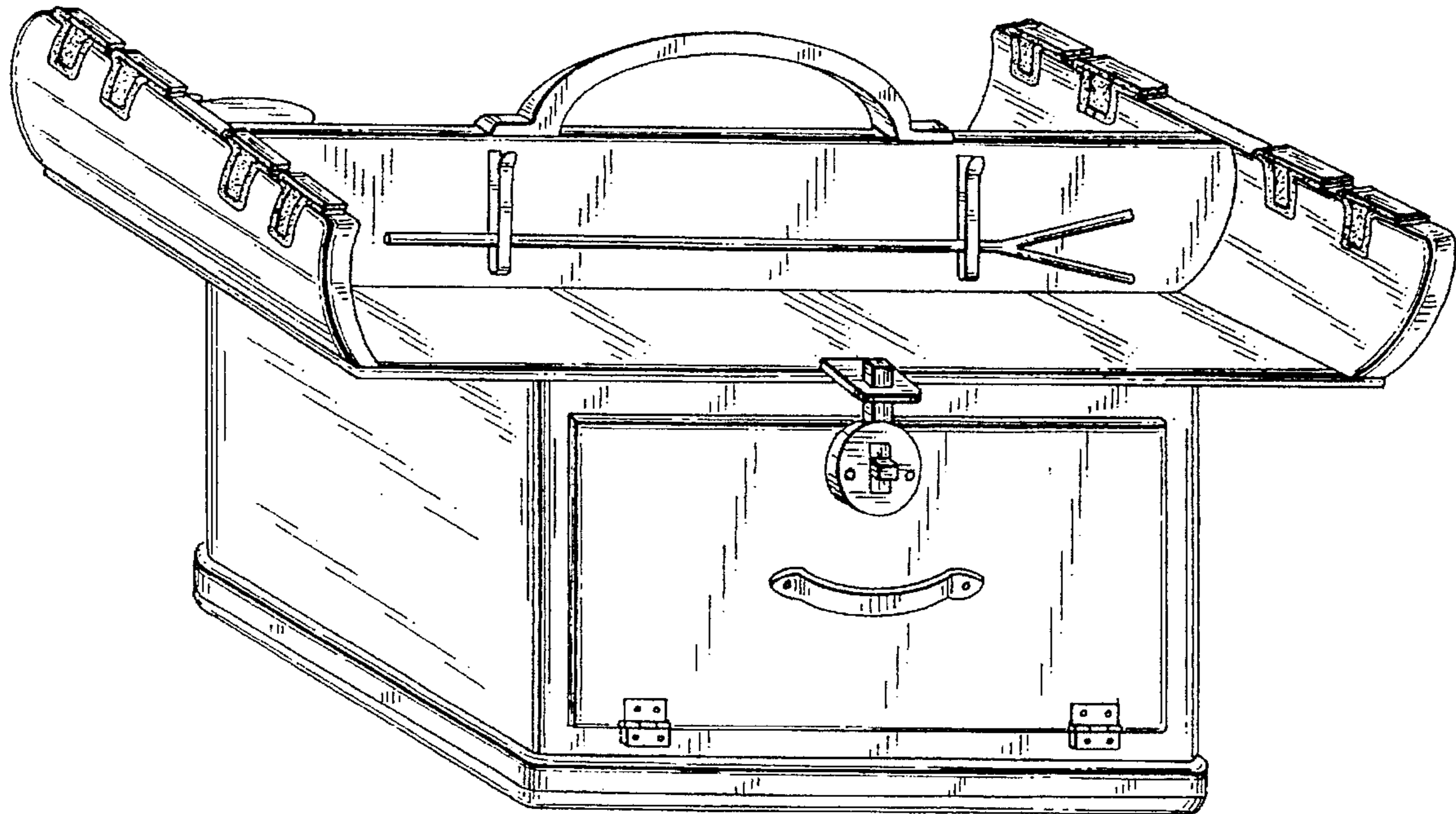


FIG. 1

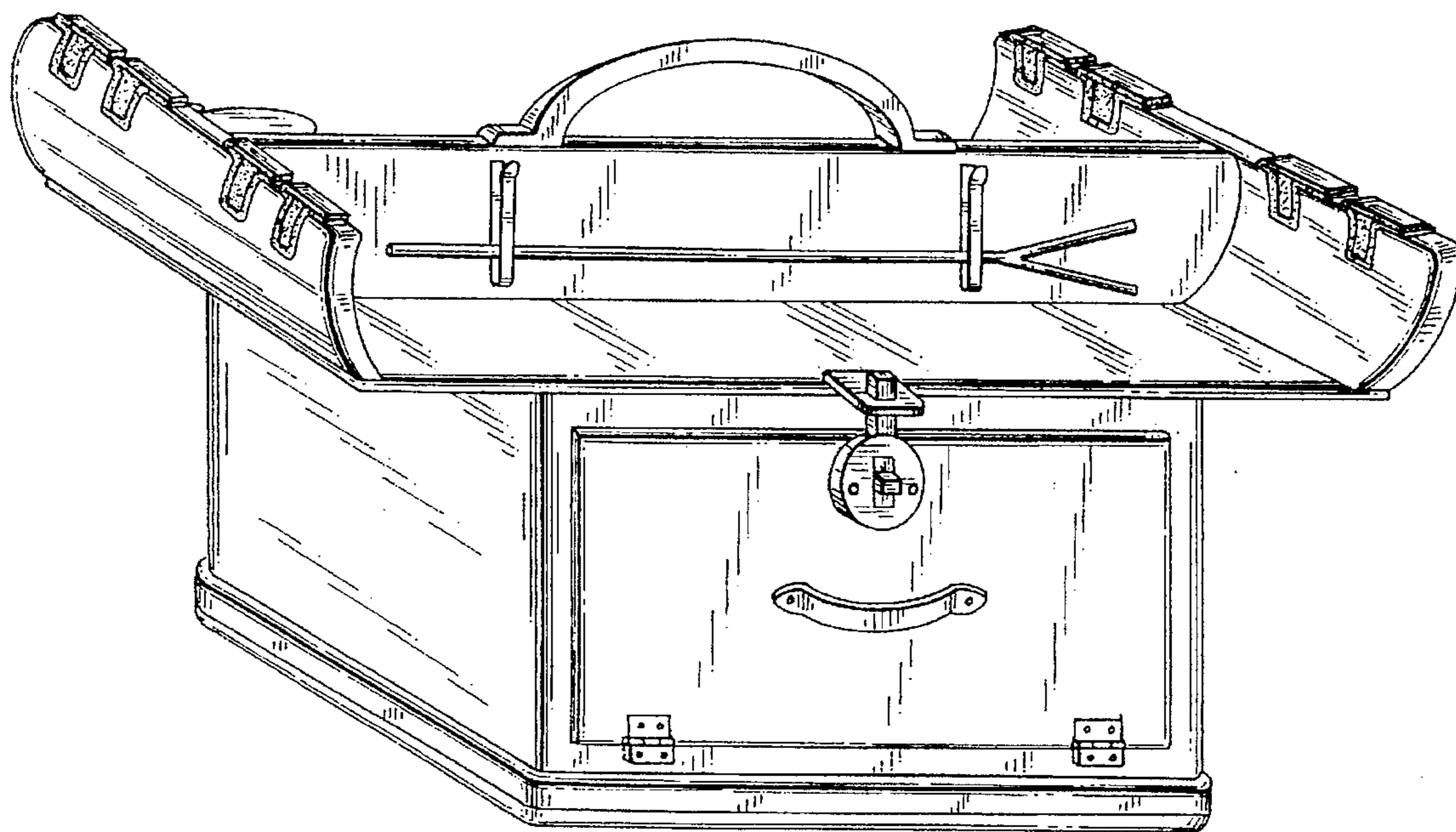


FIG. 2

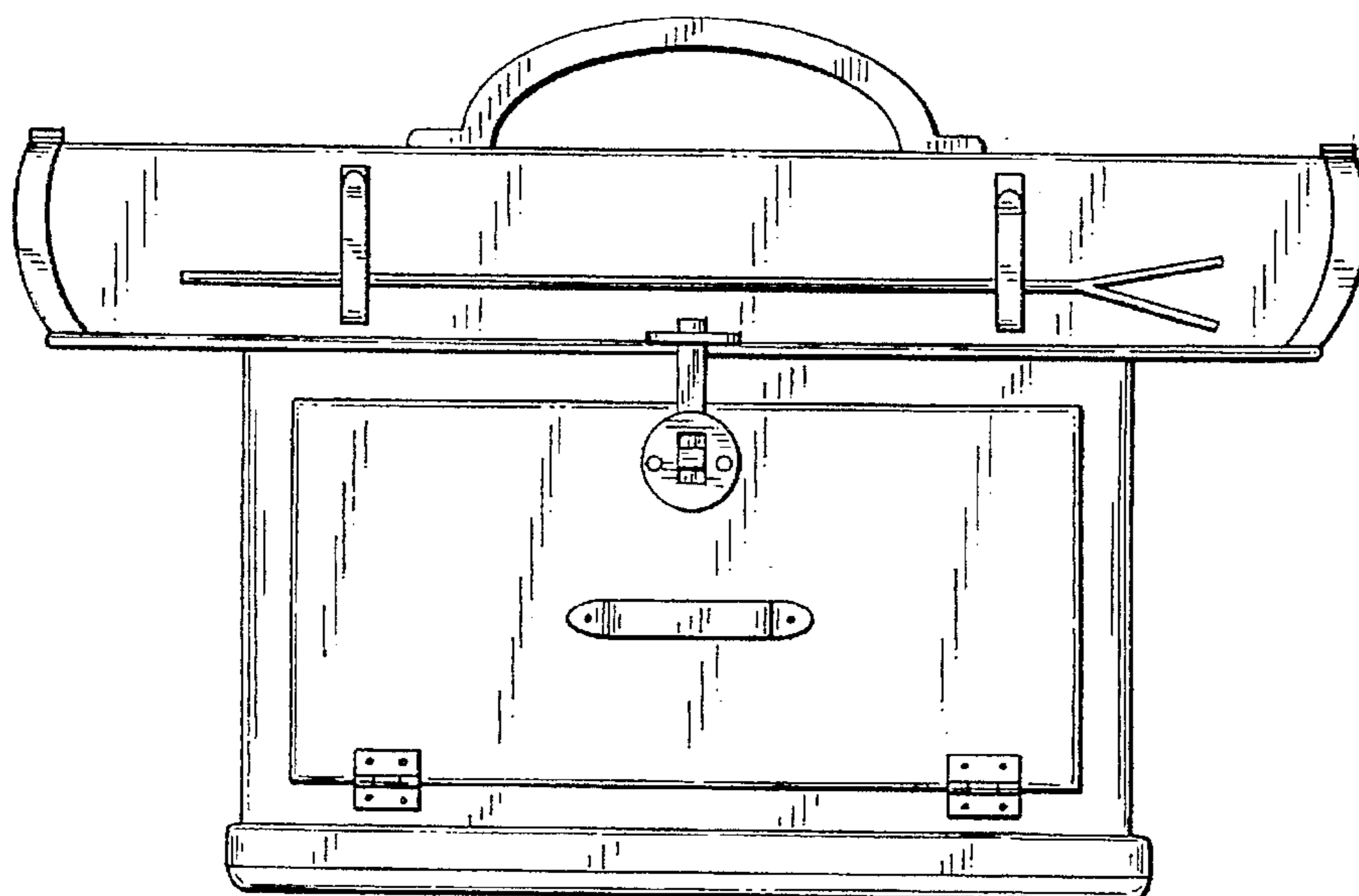


FIG. 3

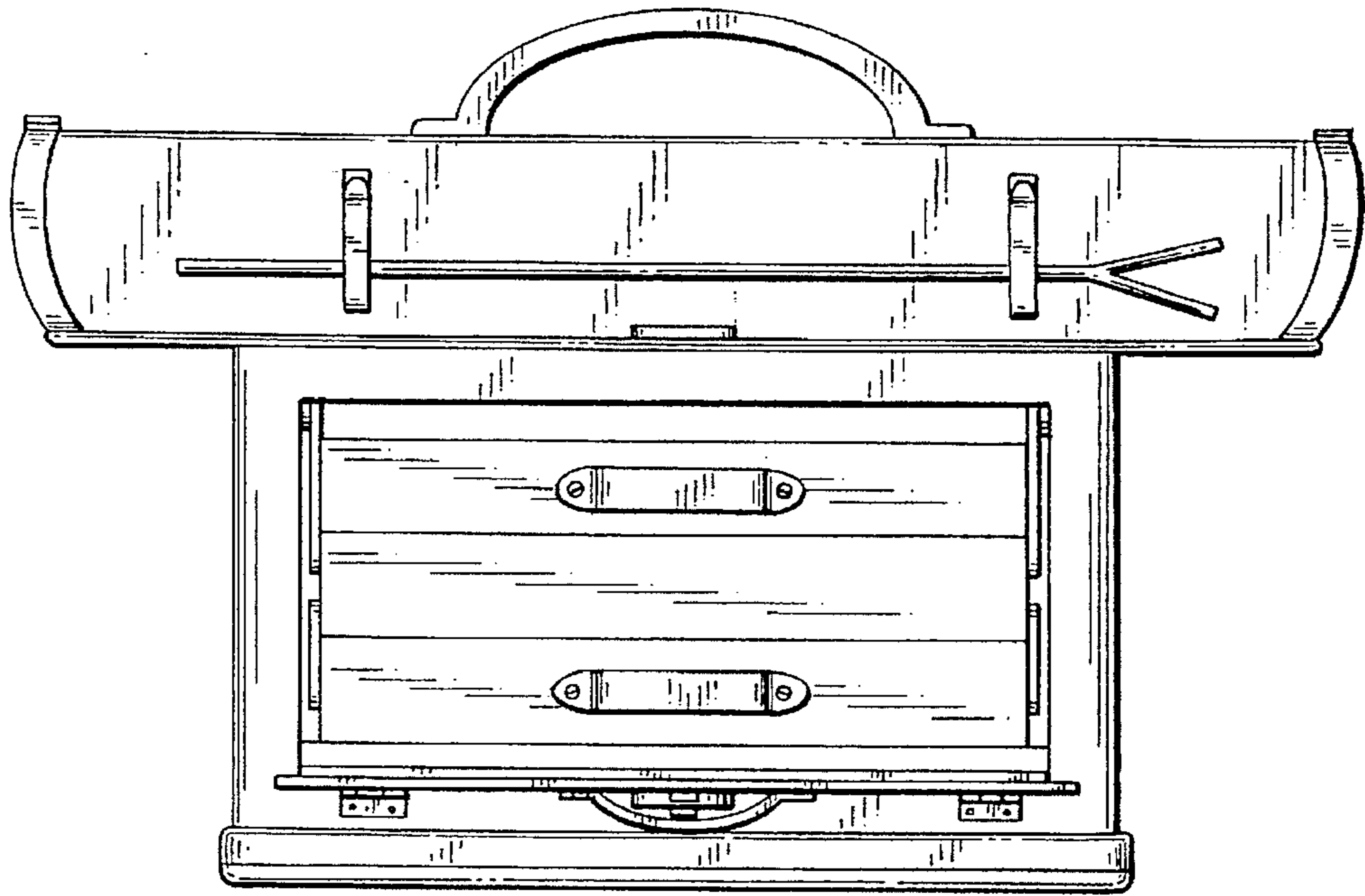


FIG. 4

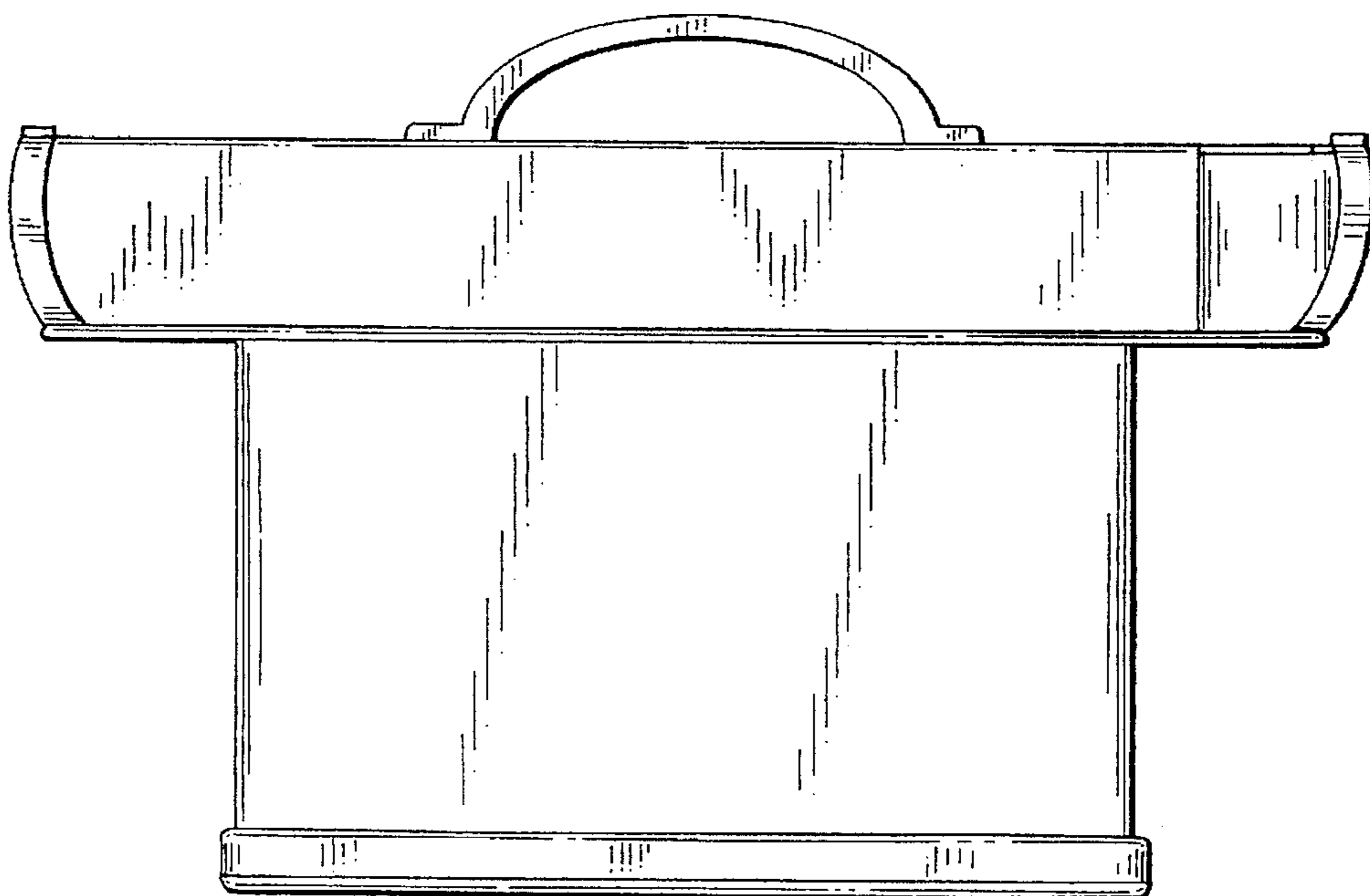




FIG. 5

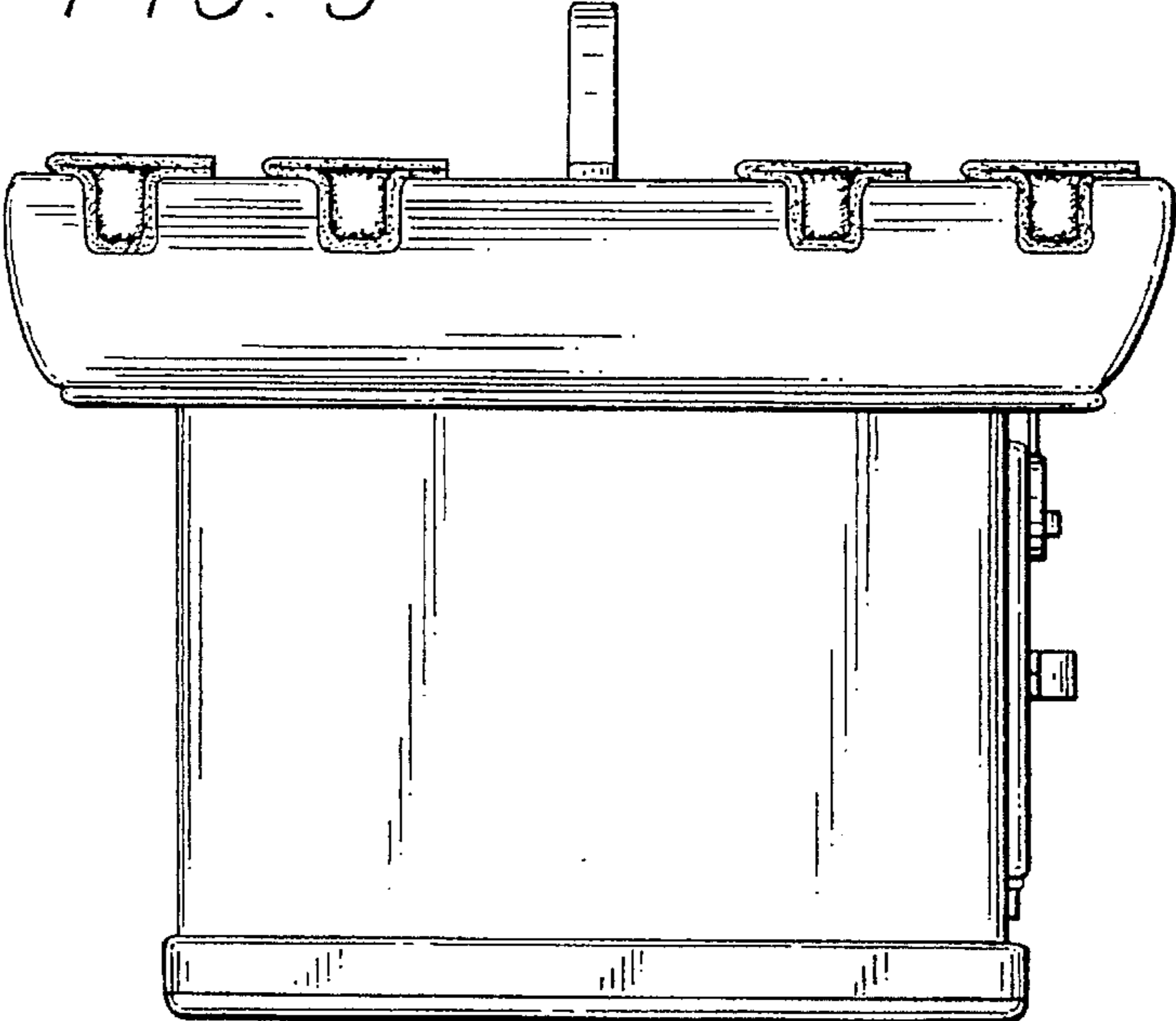


FIG. 6

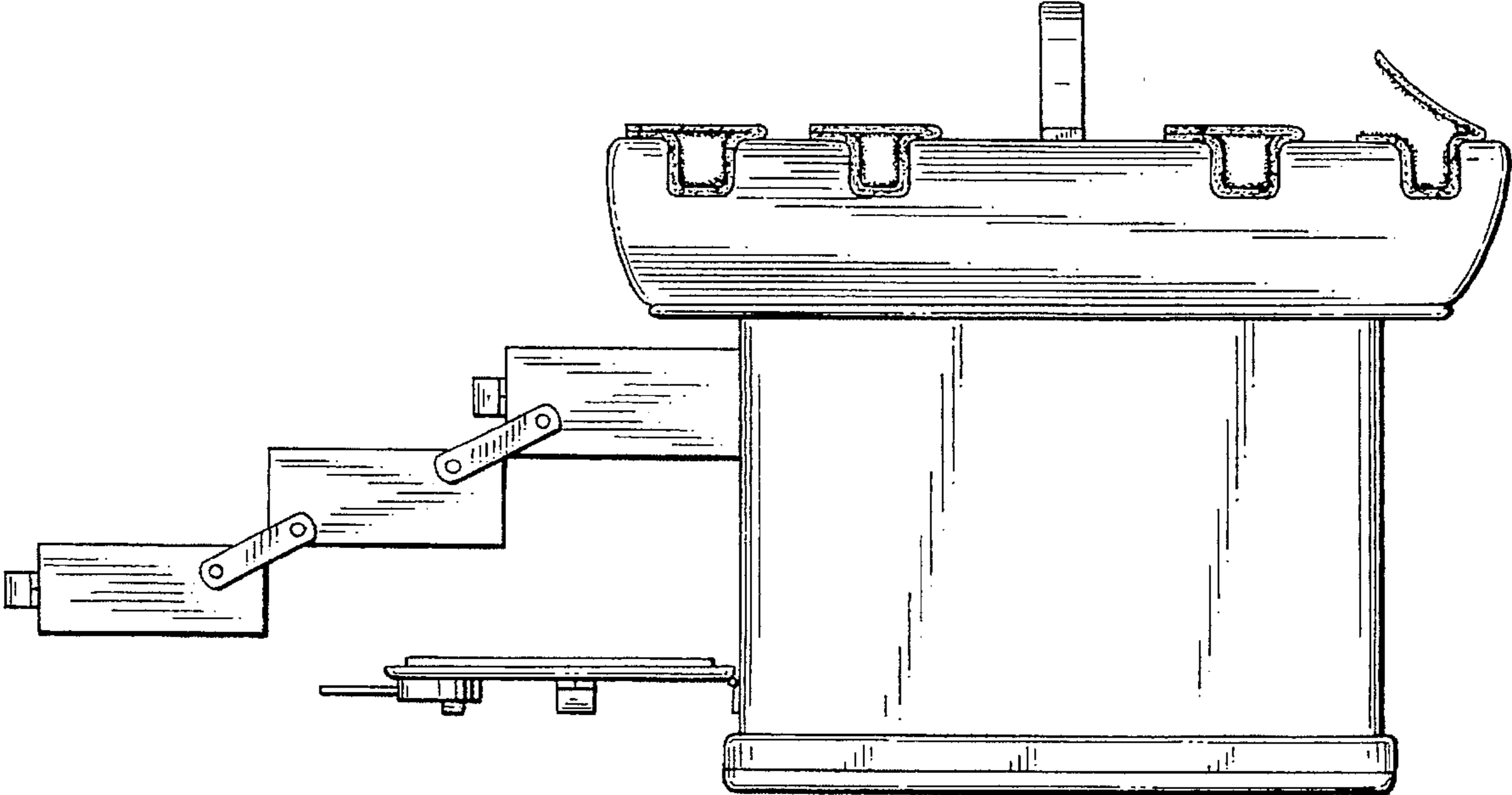


FIG. 7

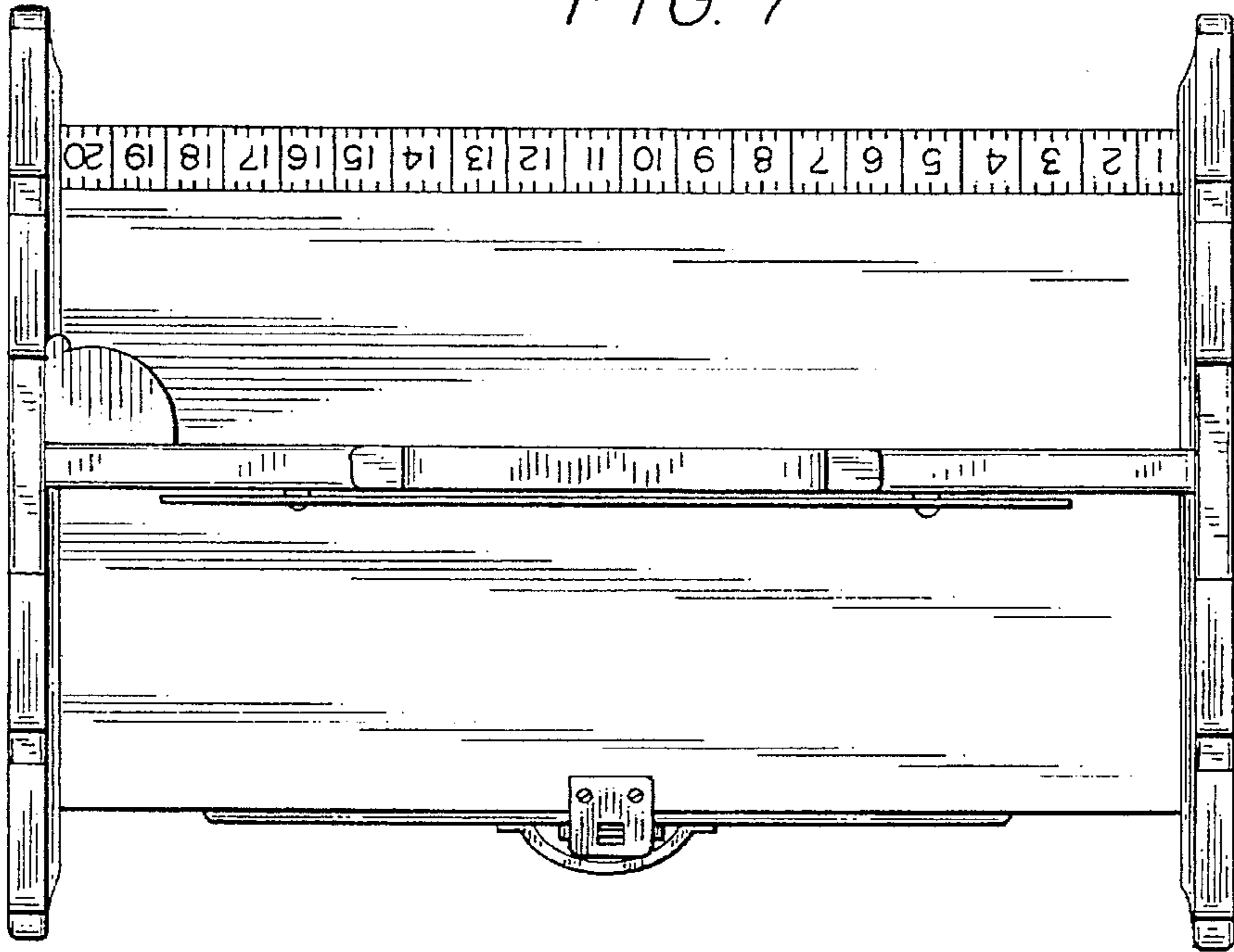


FIG. 8

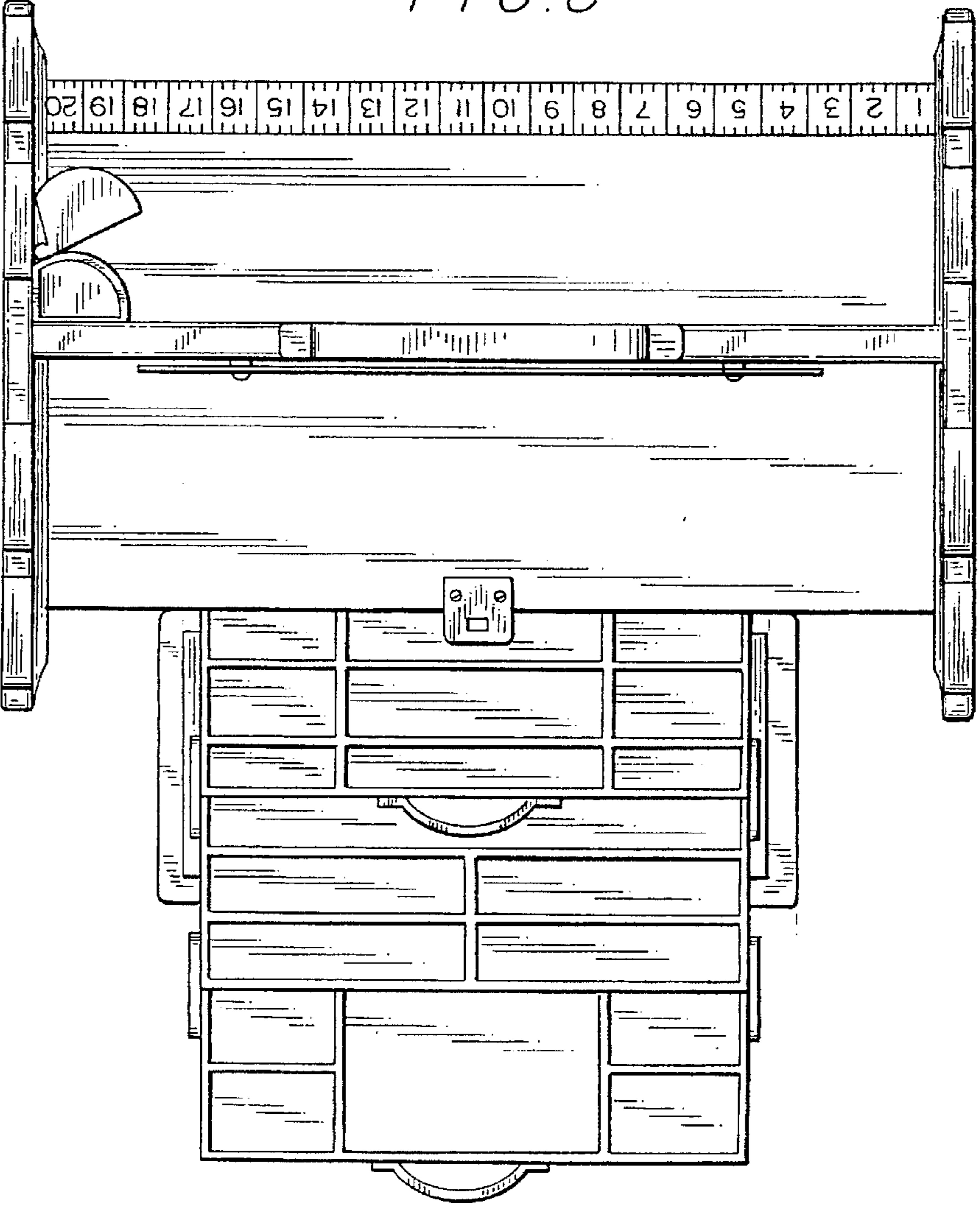


FIG. 9

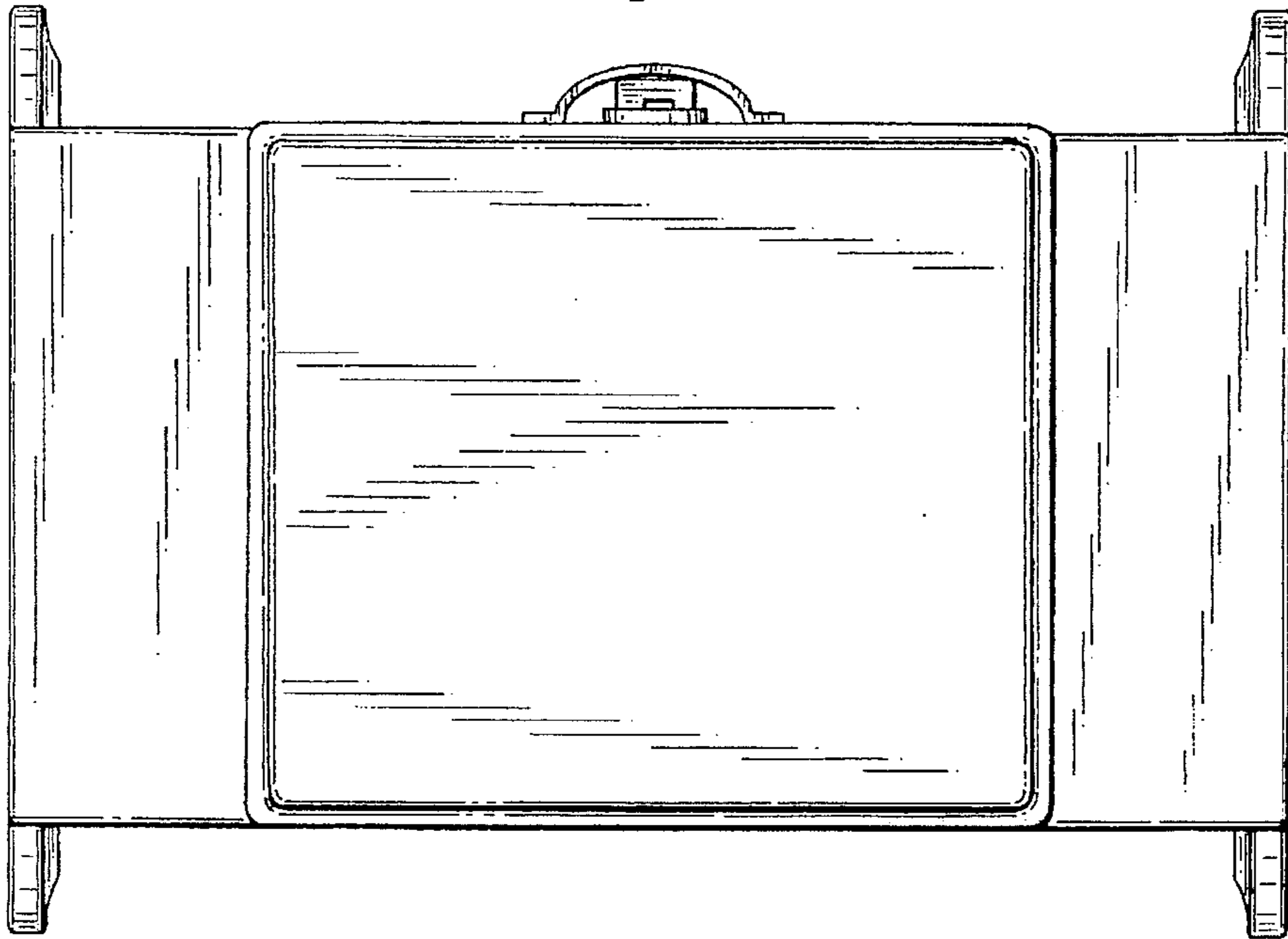


FIG. 10

