



US00D382083S

# United States Patent [19] Skelton et al.

[11] Patent Number: **Des. 382,083**  
[45] Date of Patent: **\*\*Aug. 5, 1997**

## [54] COMBINED APPLICATOR AND CASE FOR TOPICAL FLUIDS OR LOTIONS

[75] Inventors: **Stephen G. Skelton**, Crested Butte;  
**Rodney E. Ward**, Longmont, both of Colo.

[73] Assignee: **Beach Lizzie**, Crested Butte, Colo.

[\*\*] Term: **14 Years**

[21] Appl. No.: **48,695**

[22] Filed: **Jan. 11, 1996**

[51] LOC (6) Cl. .... **28-02**

[52] U.S. Cl. .... **D28/7; D4/121; D4/122**

[58] Field of Search ..... D4/114, 116, 121-123,  
D4/137, 138; D32/35, 42, 45; D28/7, 63;  
132/320; 401/6, 196, 197, 202-206, 208,  
218-220; 15/104.002, 104.93, 104.94, 105,  
143.1, 184, 185, 230.11, 244.1, 244.2, 244.4;  
601/121, 118-119

## [56] References Cited

### U.S. PATENT DOCUMENTS

D. 231,131	4/1974	Osborne	.....	D4/116
D. 336,372	6/1993	Ricciarelli et al.	.....	D4/138
D. 337,856	7/1993	Butler et al.	.....	D4/122 X
2,984,853	5/1961	Williams	.....	15/230.11 X
3,127,985	4/1964	Scott	.....	15/184 X
3,273,192	9/1966	Mazzella	.....	15/230.11
3,554,659	1/1971	Stokes	.....	401/197
3,702,739	11/1972	Rentfrow	.....	401/197
3,850,298	11/1974	Jolly	.....	401/219 X
4,217,062	8/1980	Trp et al.	.....	401/197 X
5,176,754	1/1993	Hirzel	.....	132/318 X

### FOREIGN PATENT DOCUMENTS

848337	7/1939	France	.....	15/185
2046596	11/1979	United Kingdom	.....	401/6

## OTHER PUBLICATIONS

Advertisement for "L-Applique" lotion applicator, manufactured by MWM Products of Salem, Oregon. Walter Drake Winter 1996 Catalog.

Advertisement for "Easy Reach" lotion applicator, manufactured by Esock products of Middlesex, New Jersey. Undated.

*Primary Examiner*—Ted Shooman

*Assistant Examiner*—C. Tuttle

*Attorney, Agent, or Firm*—Gary M. Polumbus

## [57] CLAIM

The ornamental design for a combined applicator and case for topical fluids or lotions, as shown and described.

## DESCRIPTION

FIG. 1 is an isometric view of a combined applicator and case for topical fluids or lotions showing our new design with the case closed;

FIG. 2 is an isometric thereof with the case being opened; FIG. 3 is an exploded isometric thereof with the case being open;

FIG. 4 is a left side elevation thereof with the case being closed, the right side elevation being a mirror image of the left side;

FIG. 5 is a bottom plan thereof with the case being closed;

FIG. 6 is a front elevation thereof with the case being closed;

FIG. 7 is a top plan thereof with the case being closed;

FIG. 8 is a left side elevation shown without the case for clarity of disclosure;

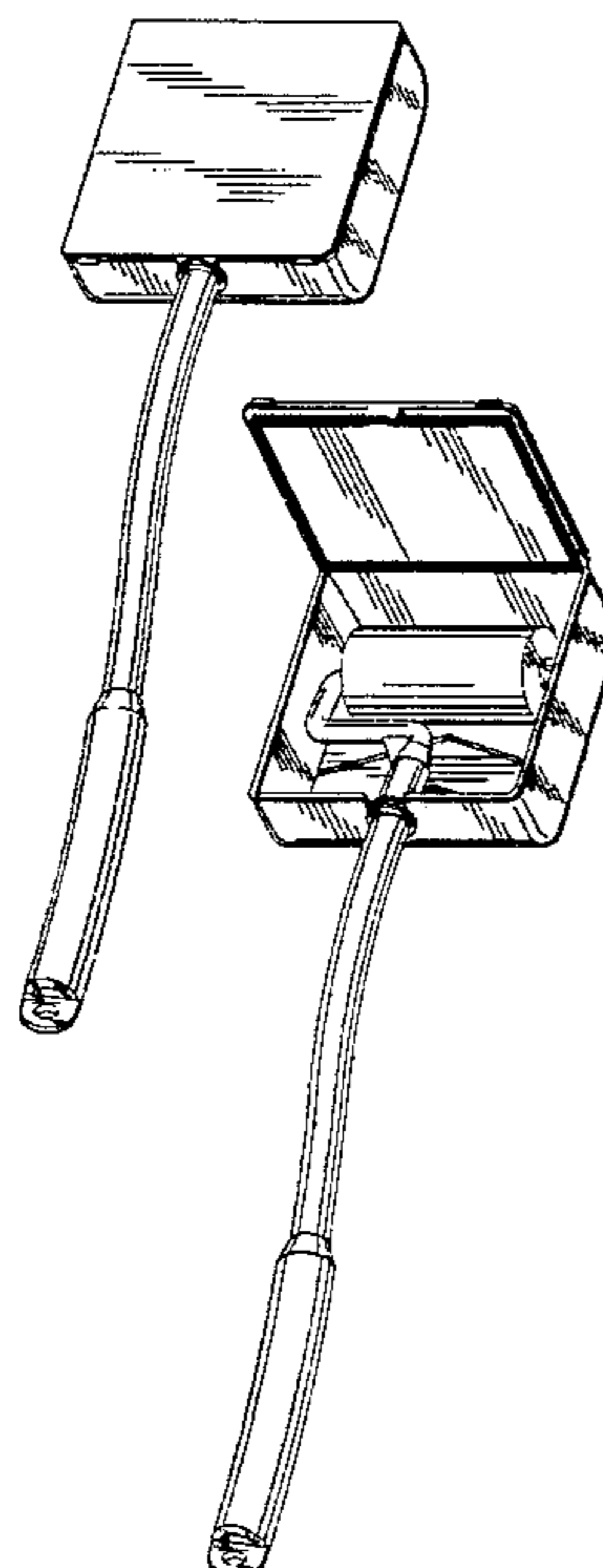
FIG. 9 is a front elevation thereof;

FIG. 10 is a right side elevation thereof;

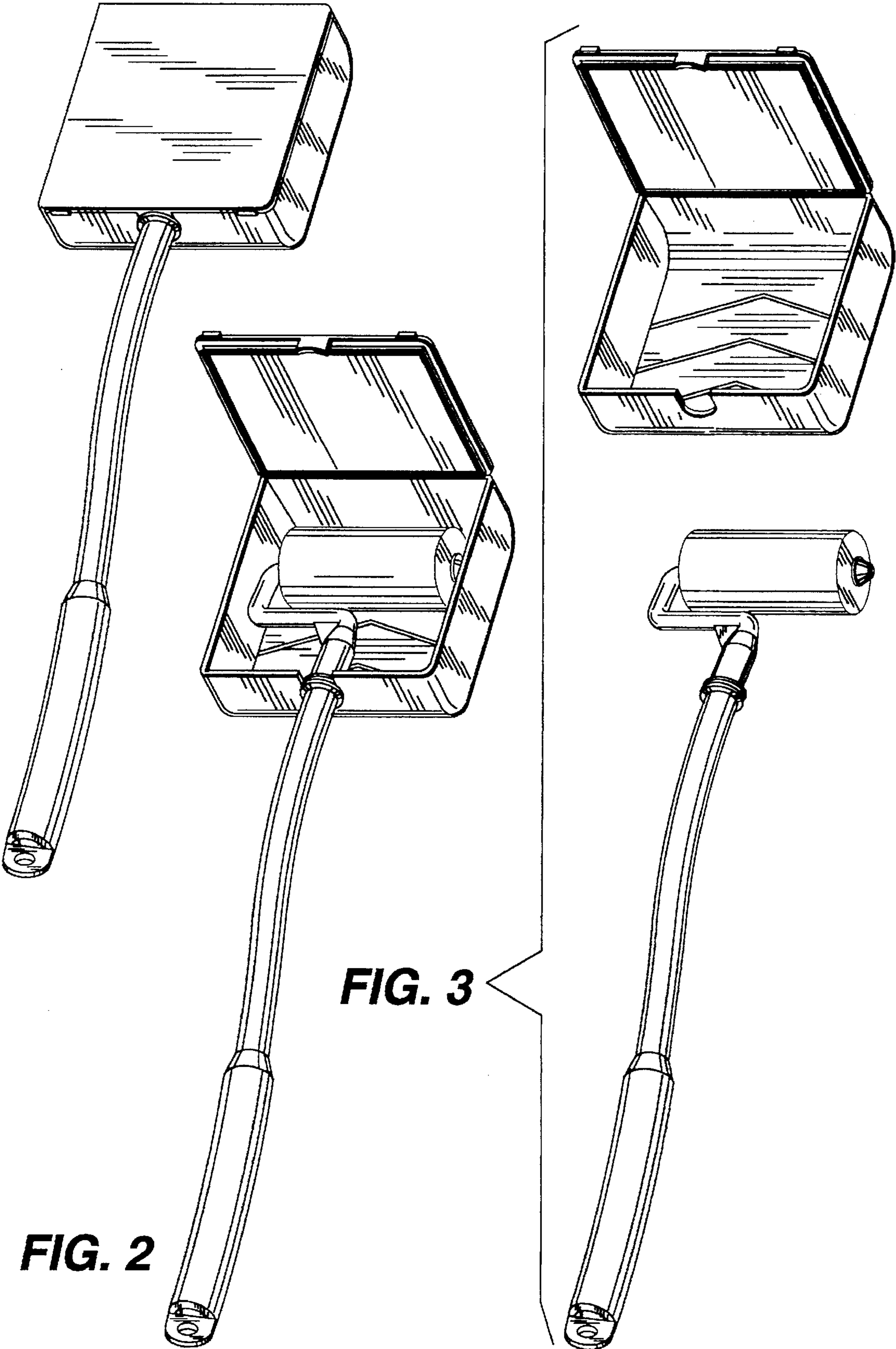
FIG. 11 is a top plan thereof; and,

FIG. 12 is an exploded front elevation of the design with the case being open.

**1 Claim, 4 Drawing Sheets**



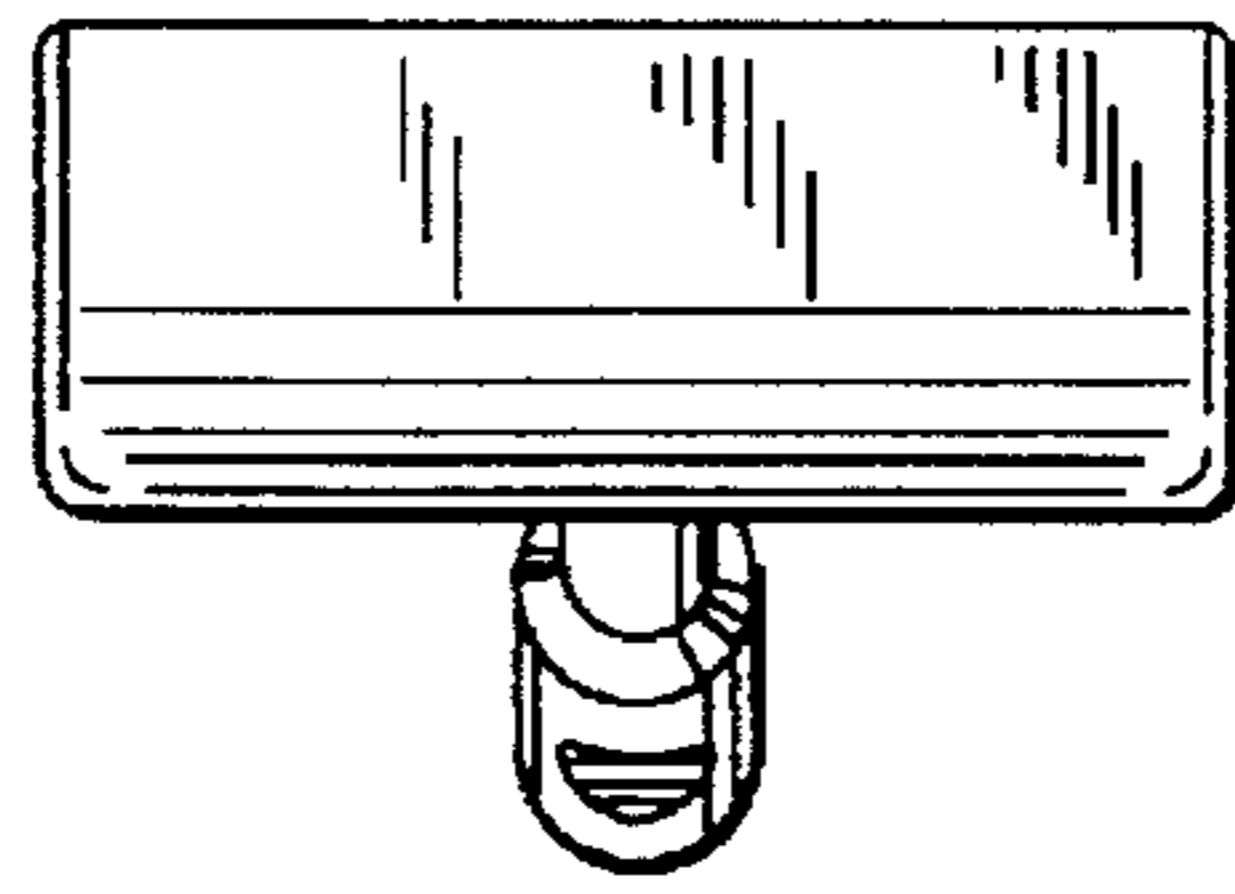
**FIG. 1**



**FIG. 2**

**FIG. 3**

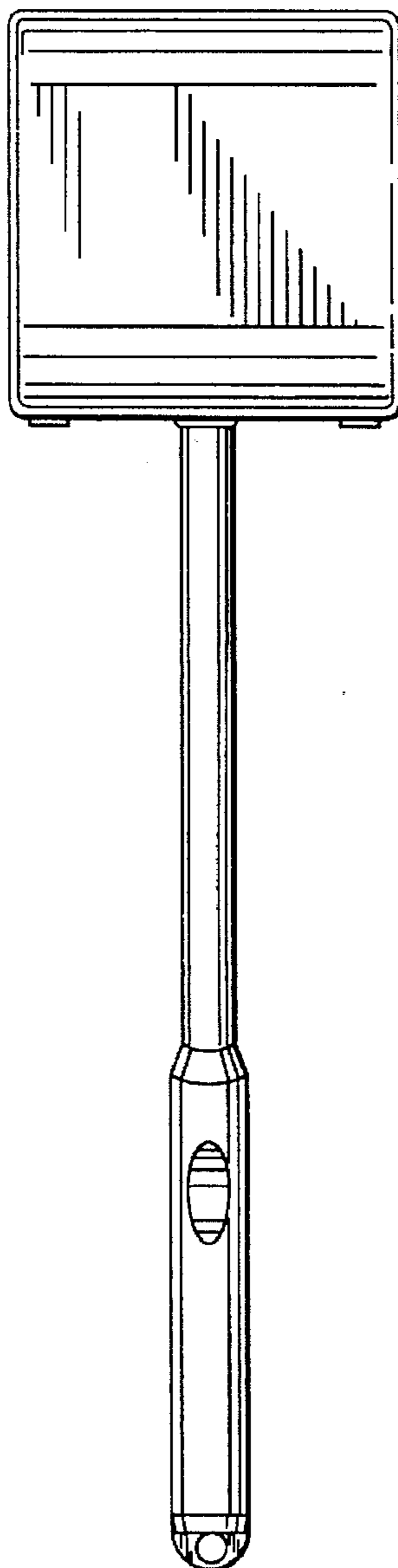
**FIG. 7**



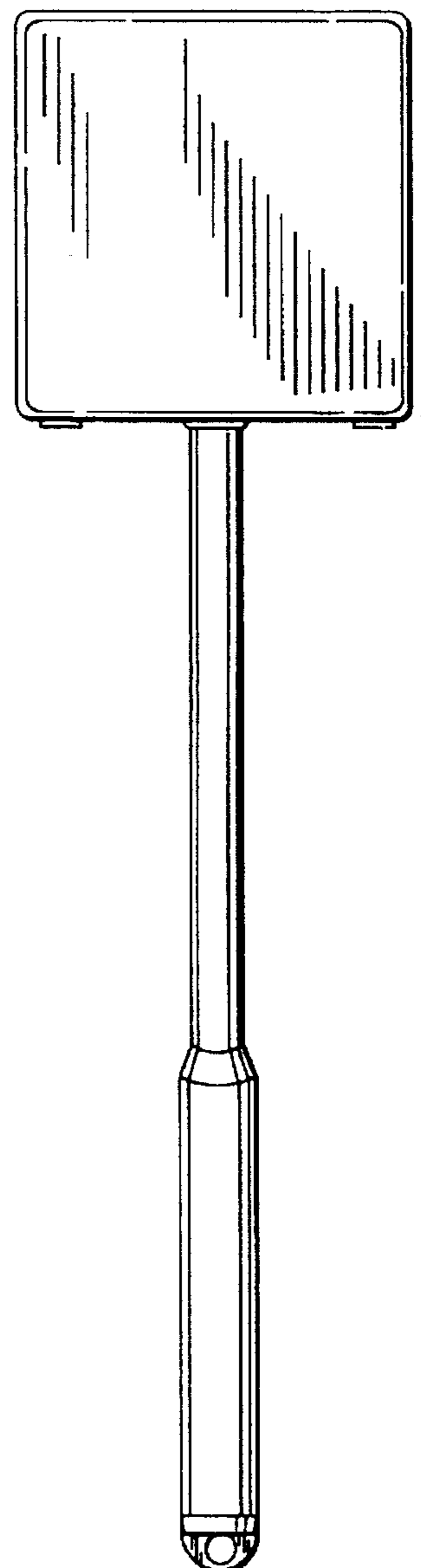
**FIG. 4**

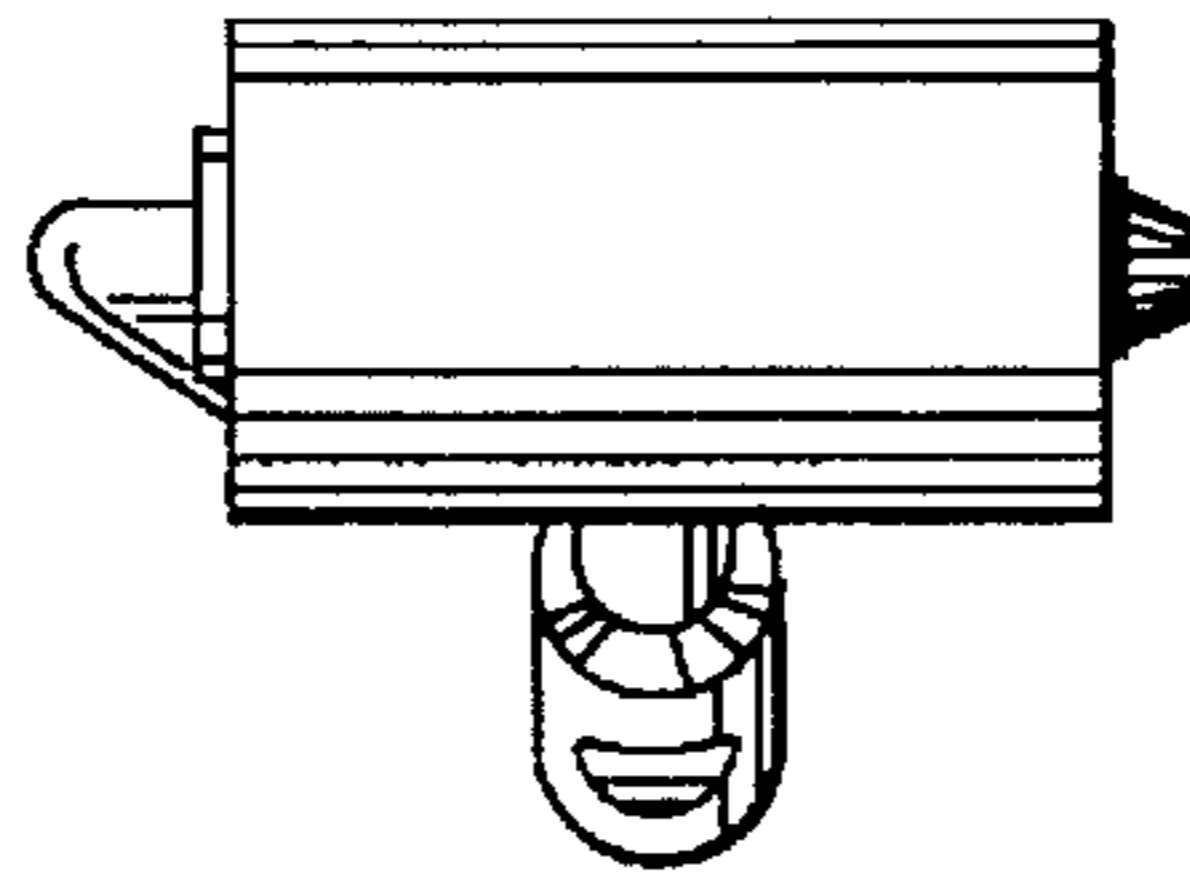


**FIG. 5**



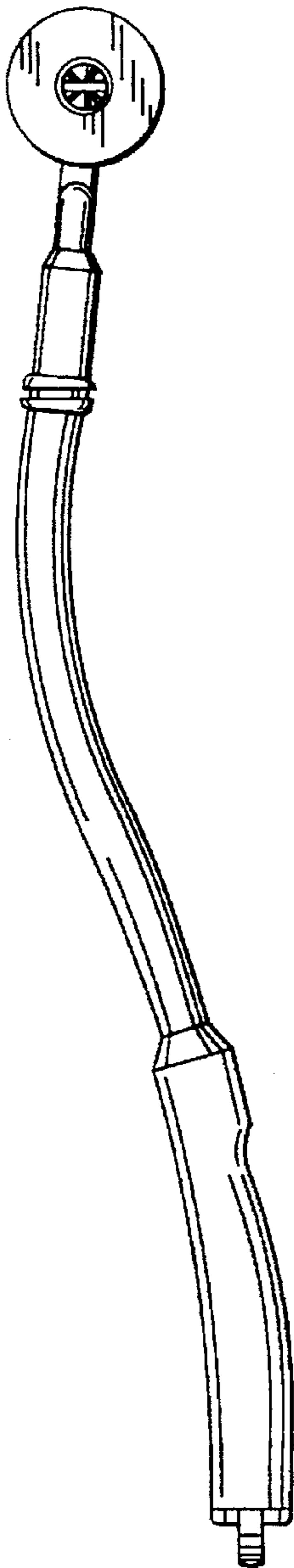
**FIG. 6**



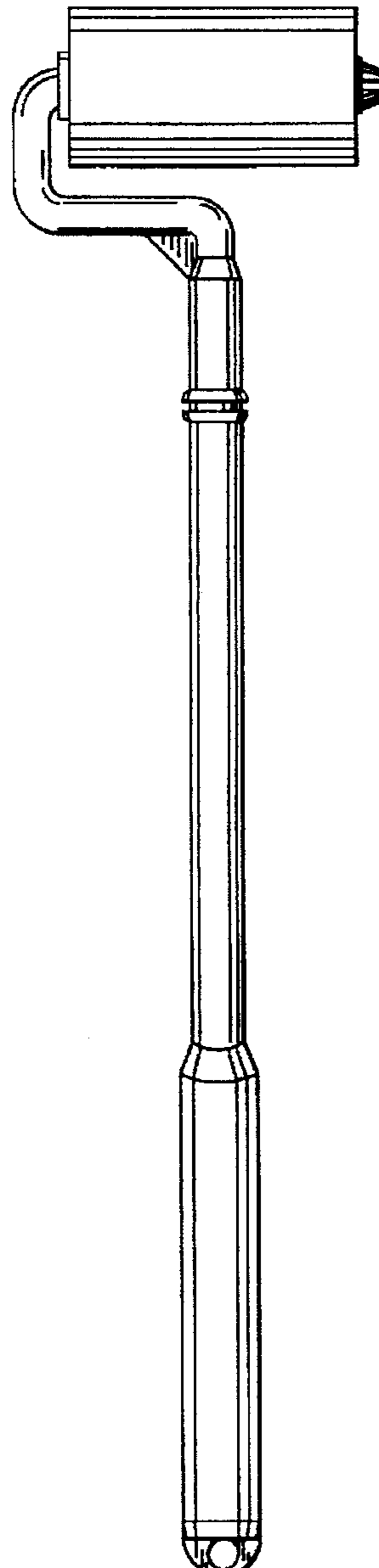


**Fig. 11**

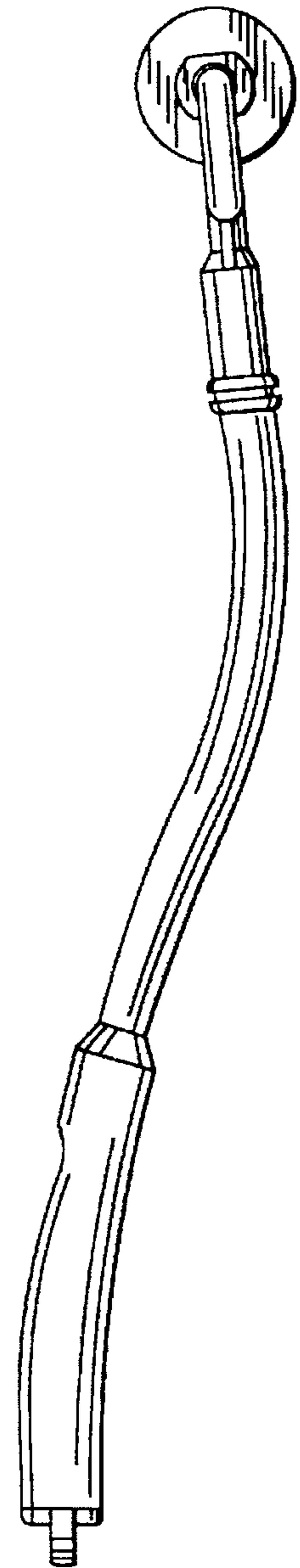
**Fig. 8**



**Fig. 9**



**Fig. 10**



**FIG. 12**

