



US00D382082S

United States Patent [19]

[11] Patent Number: **Des. 382,082**

Huang et al.

[45] Date of Patent: ****Aug. 5, 1997**

[54] **MOTION SENSOR BASE FOR EXTERIOR WALL LAMP**

[75] Inventors: **Zhao-Yuan Huang**, Canton, China; **E. Robert Kunzler**, San Diego, Calif.

[73] Assignee: **Merritway Electrical Industries Co. Ltd.**, Canton, China

[**] Term: **14 Years**

[21] Appl. No.: **43,718**

[22] Filed: **Sep. 11, 1995**

[51] LOC (6) Cl. **26-99**

[52] U.S. Cl. **D26/142; D10/106; D26/92**

[58] Field of Search D26/67, 68, 69, D26/70, 71, 72, 80-92, 142, 143, 145; 362/147, 432; D10/104, 106

[56] **References Cited**

U.S. PATENT DOCUMENTS

4,729,073	3/1988	Klaus	362/147
5,282,118	1/1994	Lee	362/276
5,442,532	8/1995	Boulos et al.	D26/87 X

OTHER PUBLICATIONS

Home Lighting & Accessories, Apr. 1993, p. 33, Regent Lighting Lantern Base with Sensor.

Home Lighting & Accessories, Dec. 1993, p. 219, Lantern Base.

Primary Examiner—Susan J. Lucas

Attorney, Agent, or Firm—Foster & Foster

[57] **CLAIM**

The ornamental design for a motion sensor light base for exterior wall lamp, as shown and described.

DESCRIPTION

FIG. 1 is a perspective view of the present invention;

FIG. 2 is a front view of the present invention;

FIG. 3 is a left end view of the present invention;

FIG. 4 is a right end view of the present invention;

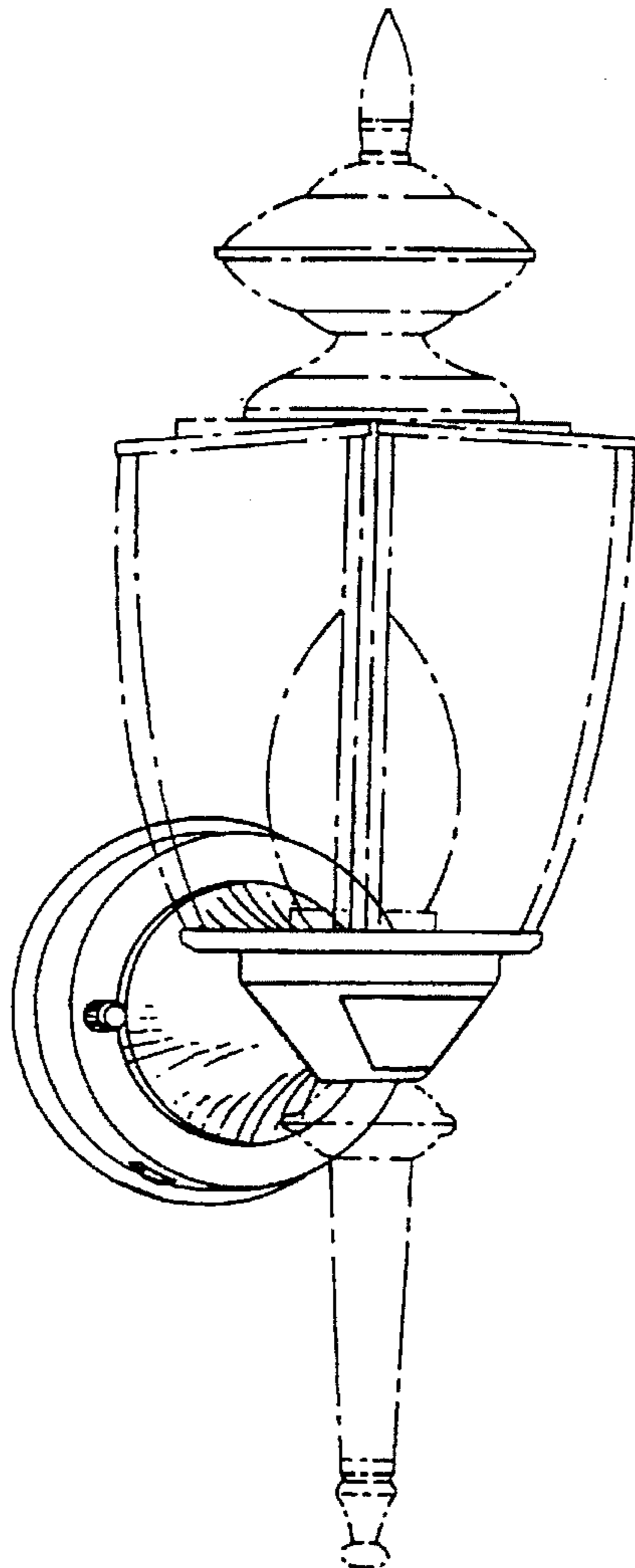
FIG. 5 is a top view of the present invention;

FIG. 6 is a bottom view of the present invention; and,

FIG. 7 is a rear view of the present invention.

The broken lines are shown for illustrative purposes only and form no part of the claimed design.

1 Claim, 7 Drawing Sheets



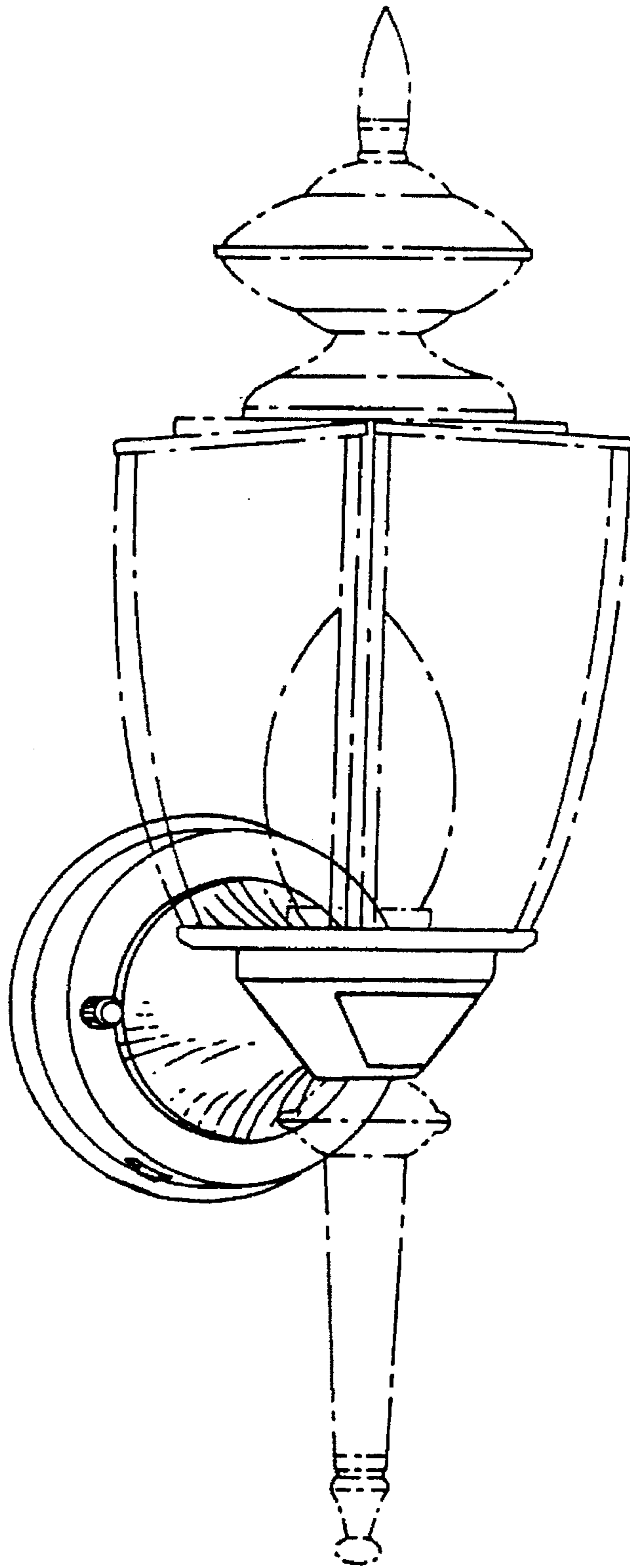


FIG. 1

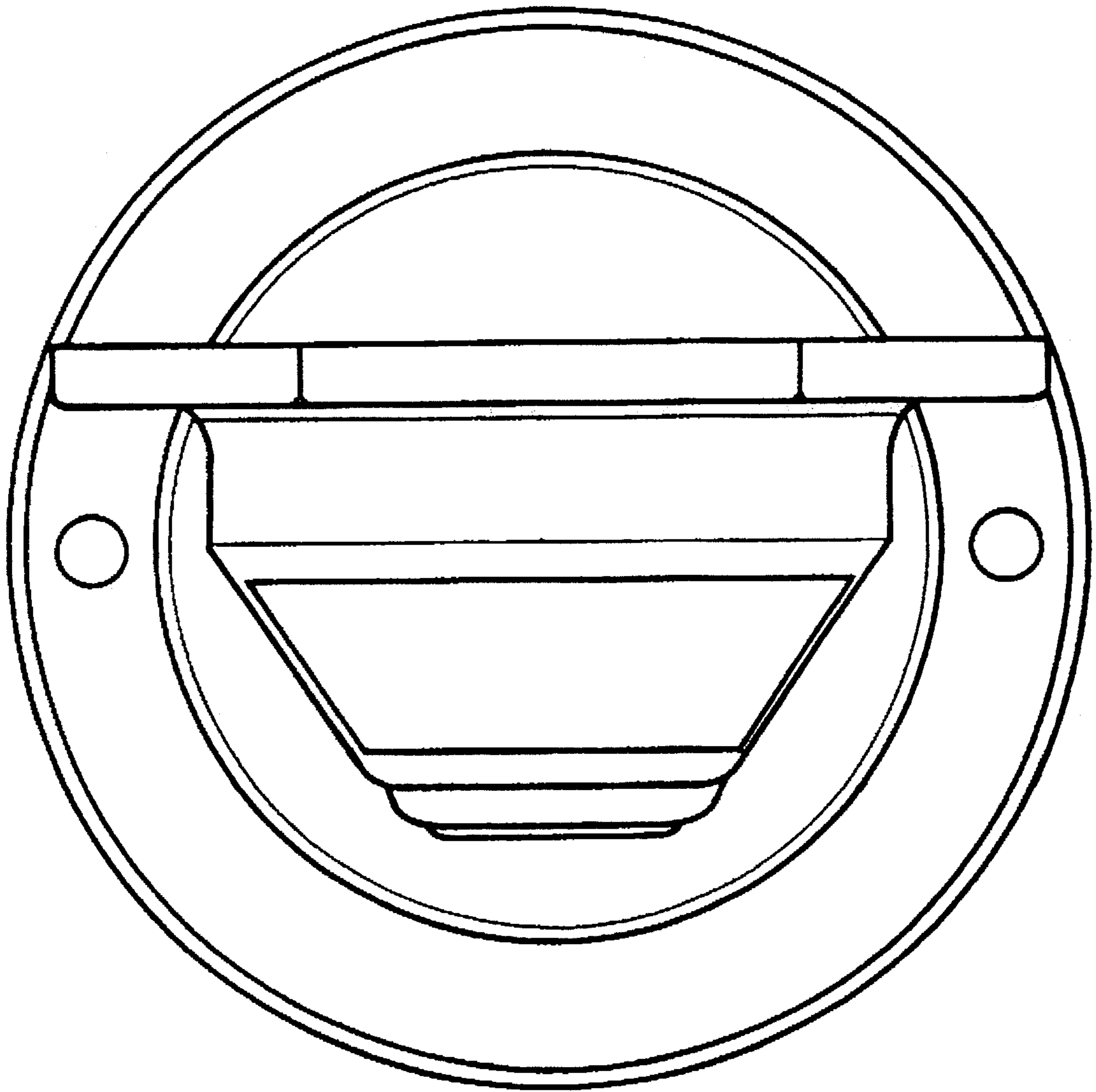


FIG. 2

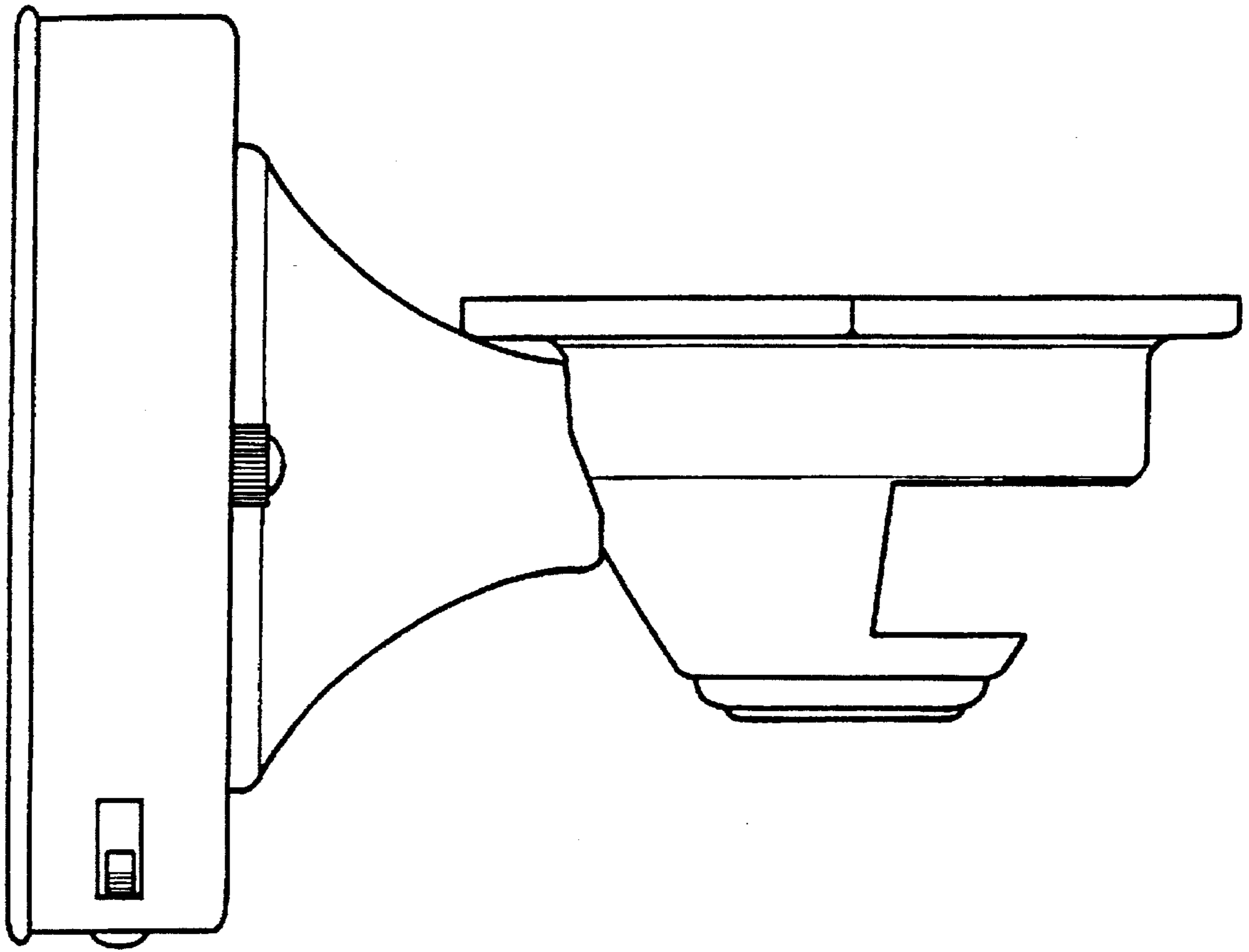


FIG. 3

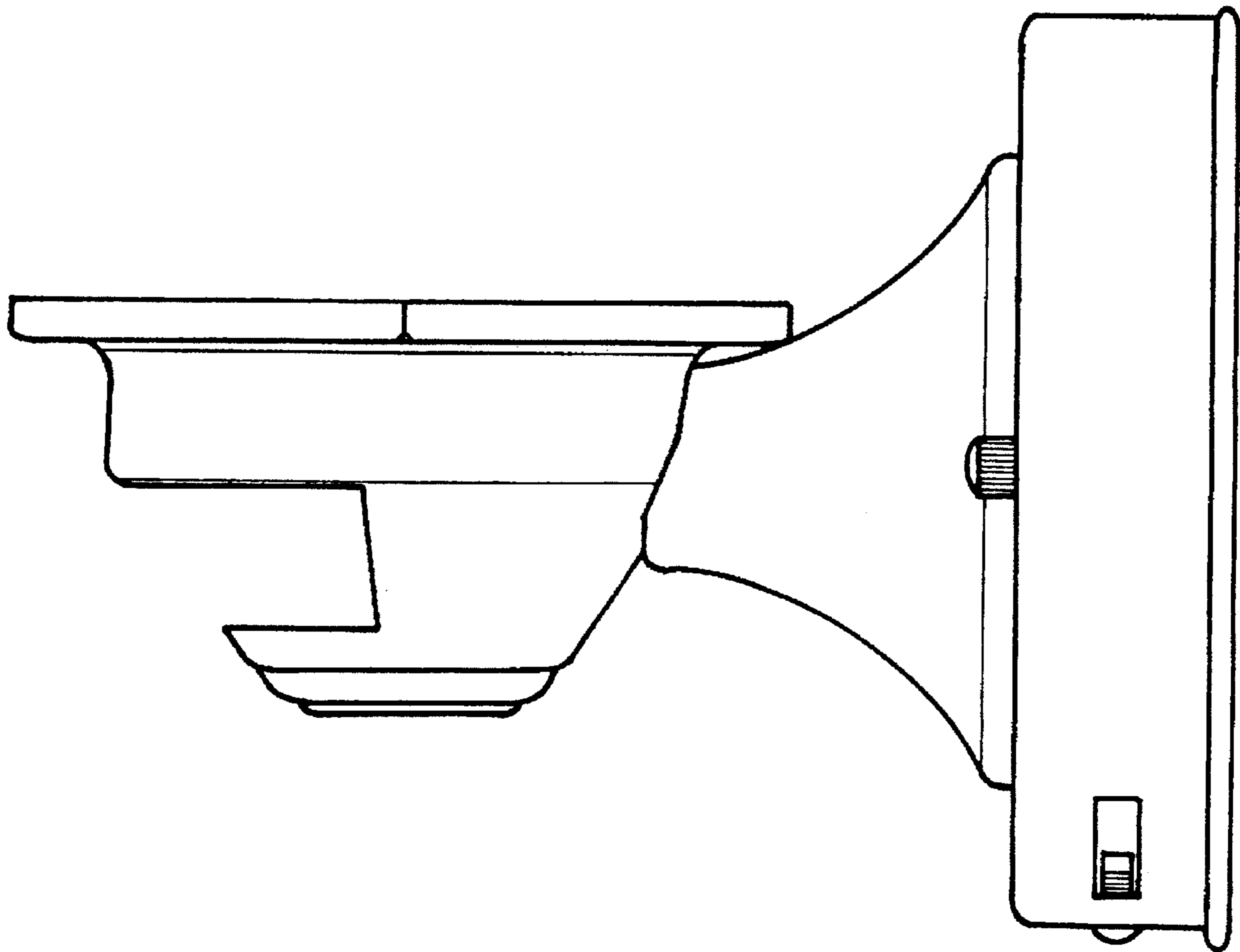


FIG. 4

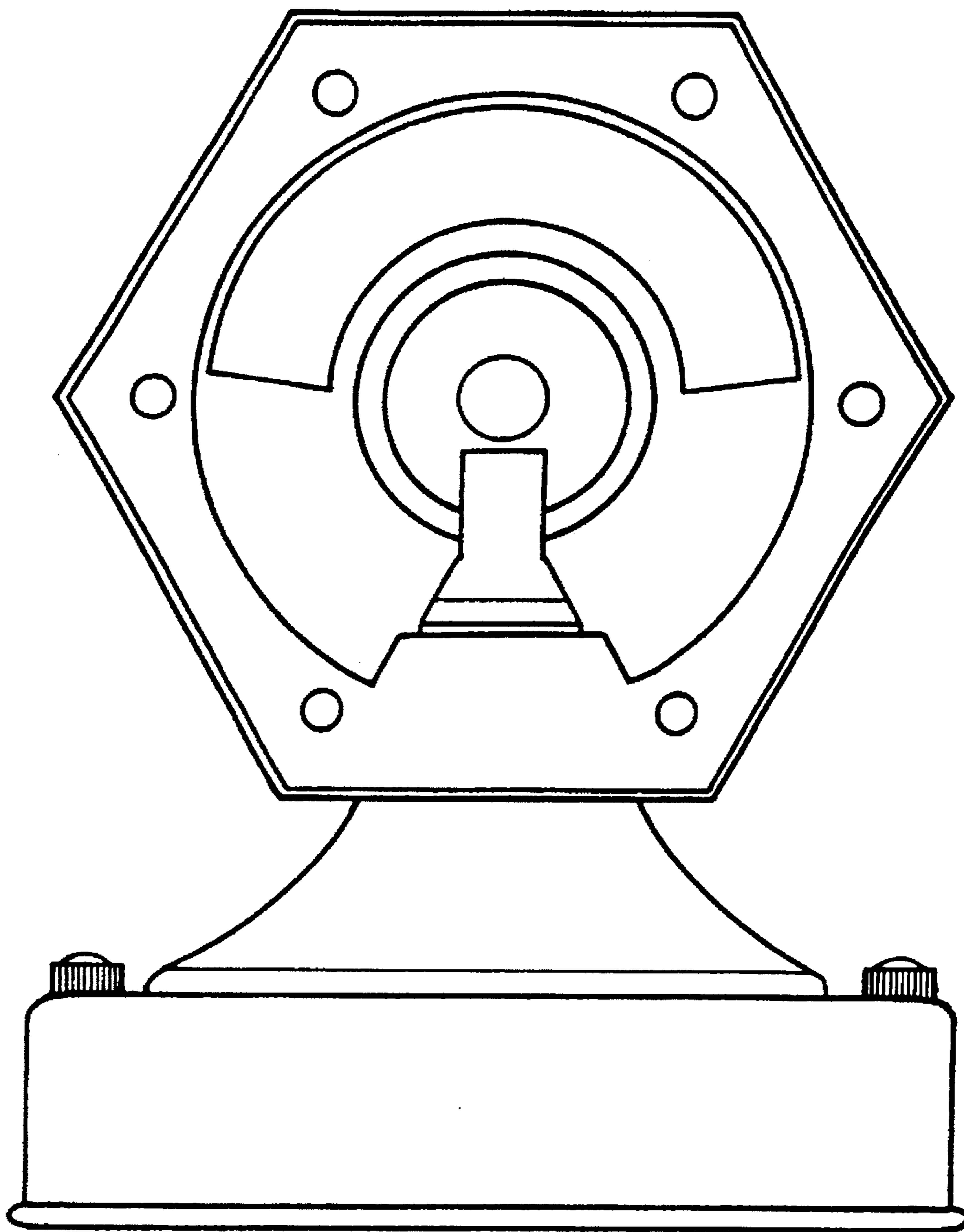


FIG. 5

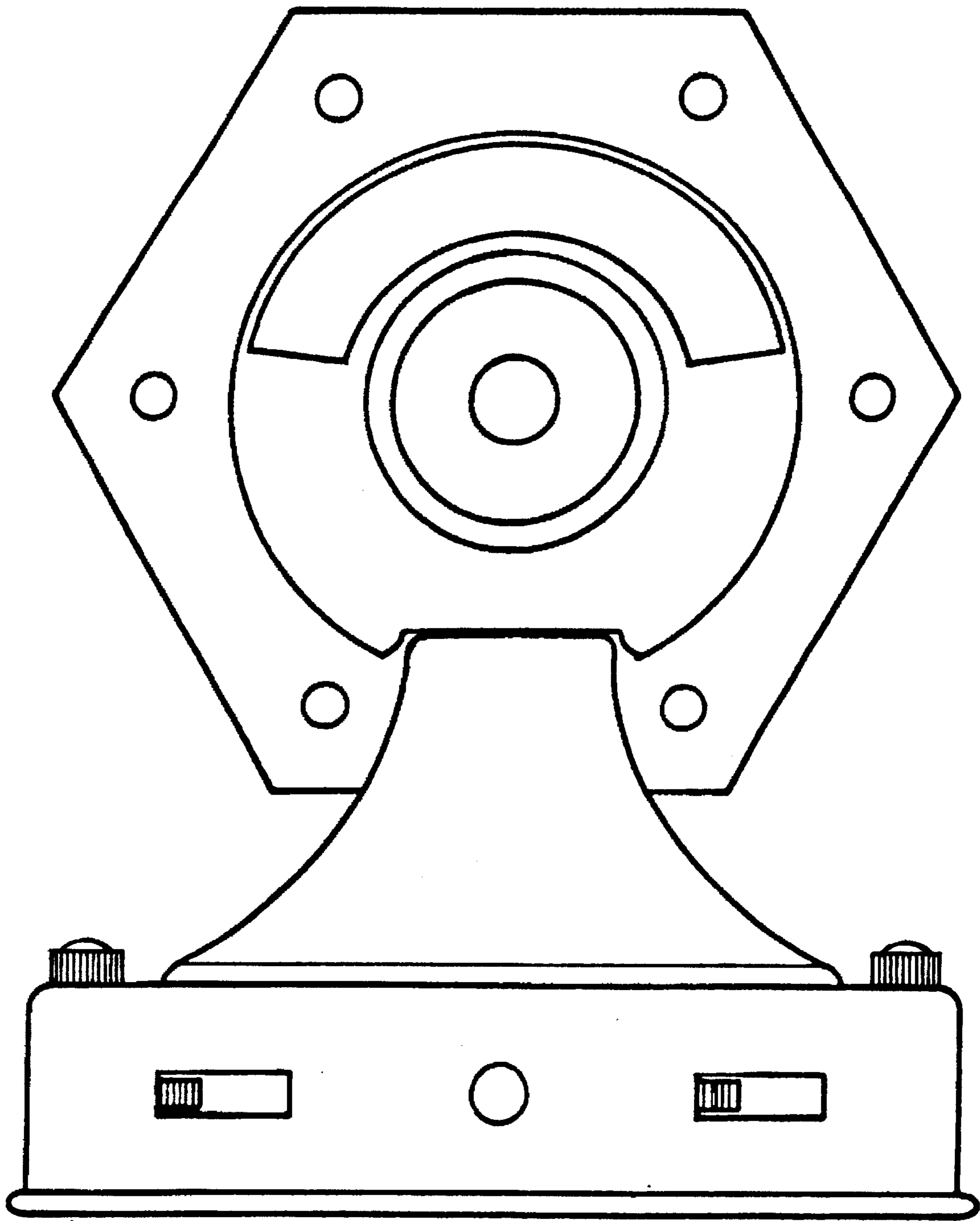


FIG. 6

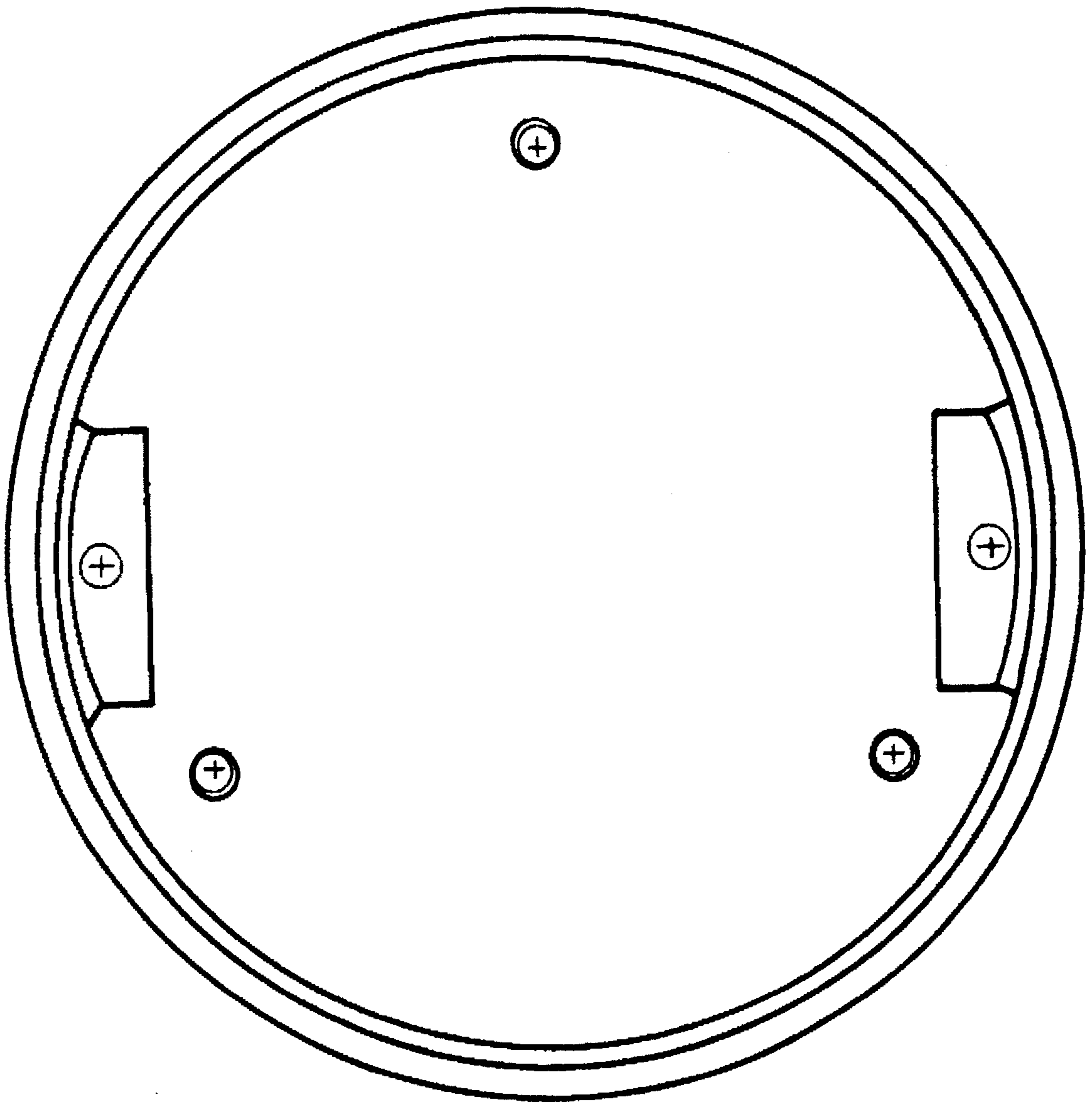


FIG. 7