



US00D382079S

United States Patent [19]
Porter

[11] **Patent Number: Des. 382,079**

[45] **Date of Patent: **Aug. 5, 1997**

[54] **OUTDOOR LIGHTING FIXTURE**

[75] Inventor: **David H. Porter**, Chagrin Falls, Ohio
[73] Assignee: **The L.D. Kichler Co.**, Cleveland, Ohio
[**] Term: **14 Years**

[21] Appl. No.: **40,495**
[22] Filed: **Jun. 20, 1995**

[51] **LOC (6) Cl.** **26-05**
[52] **U.S. Cl.** **D26/87**
[58] **Field of Search** D26/67, 68, 69,
D26/70, 71, 72, 80-92; 362/153, 153.1,
147, 431, 432

[56] **References Cited**

U.S. PATENT DOCUMENTS

D. 300,373 3/1989 Galipeau et al. D26/67
D. 347,905 6/1994 Barbour D26/67
2,786,936 3/1957 Appleton D26/67 X

OTHER PUBLICATIONS

Design with Lighting Catalog, p. 35, Spread Light.
Kichler Lighting Catalog ©1989, p. 105, Wall Lantern
#K9720.

Progress Lighting Ideas Book, ©1990, p. 128, Wall Lantern
#P5491-25.
Yamagiwa Catalog No. 3, pp. 140-141 and 254-255, dated
1993-1994.
Illuminotecnica Catalog, p. 11 and 31, dated Sep. 1992.

Primary Examiner—Susan J. Lucas
Attorney, Agent, or Firm—Watts, Hoffmann, Fisher &
Heinke Co. LPA

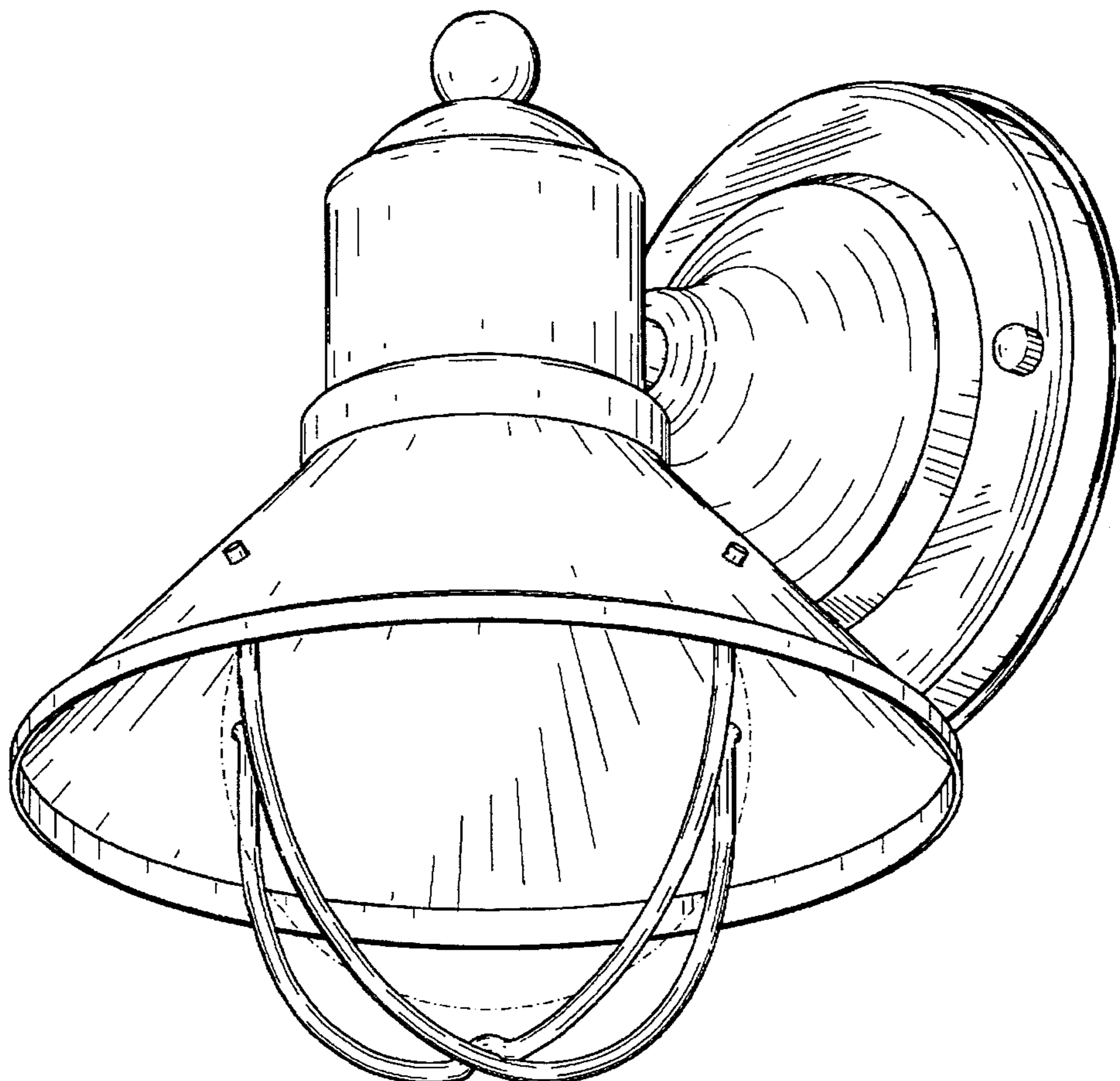
[57] **CLAIM**

The ornamental design for an outdoor lighting fixture, as
shown and described.

DESCRIPTION

FIG. 1 is a perspective view of an outdoor lighting fixture
showing my new design;
FIG. 2 is a front elevational view of the lighting fixture;
FIG. 3 is a right elevational view of the lighting fixture, the
left elevational view being identical;
FIG. 4 is a rear elevational view of the lighting fixture;
FIG. 5 is a top plan view of the lighting fixture; and,
FIG. 6 is a bottom plan view of the lighting fixture.
The broken lines showing the lighting fixture shades are for
illustrative purposes.

1 Claim, 3 Drawing Sheets



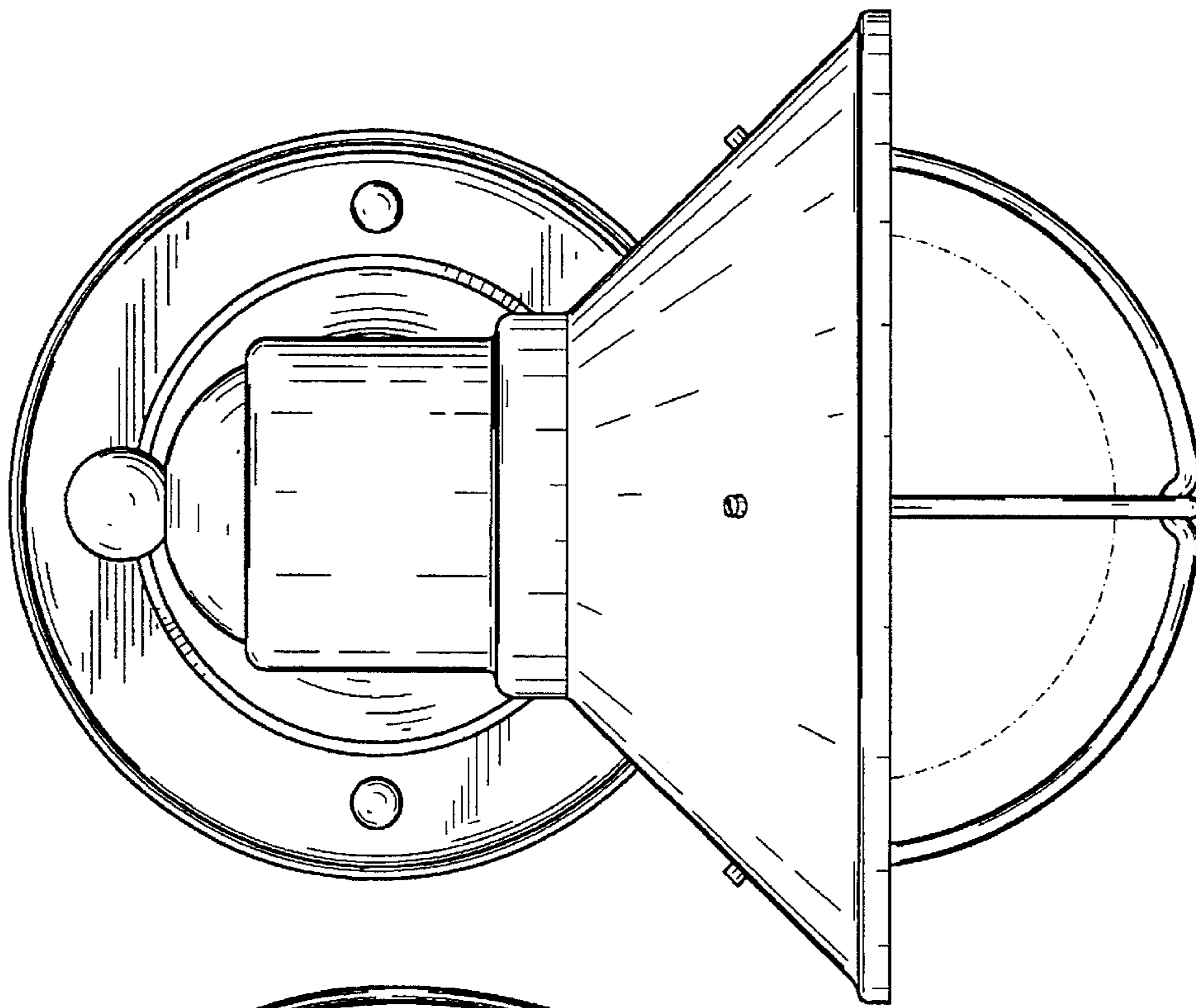


Fig.2

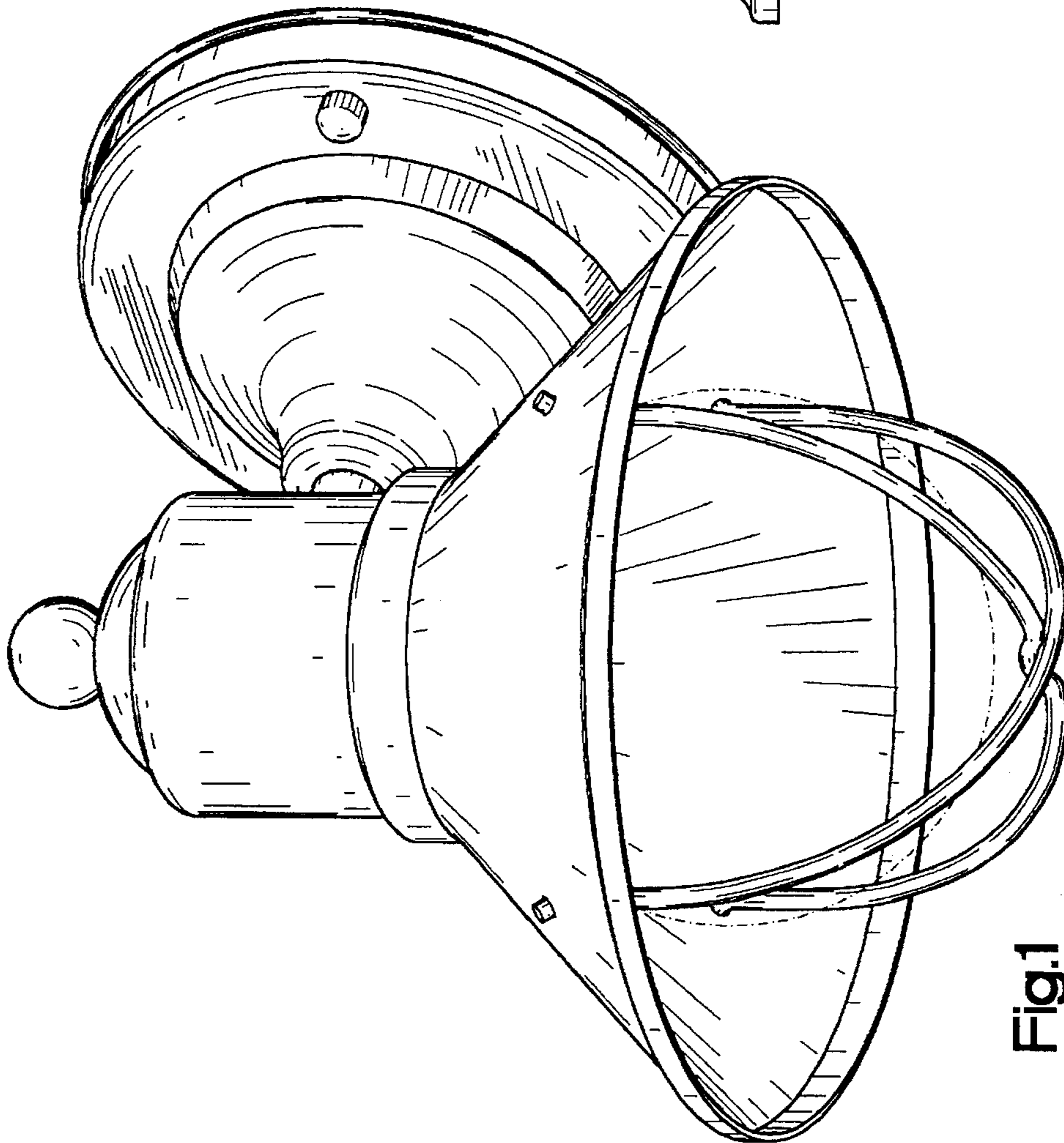


Fig.1

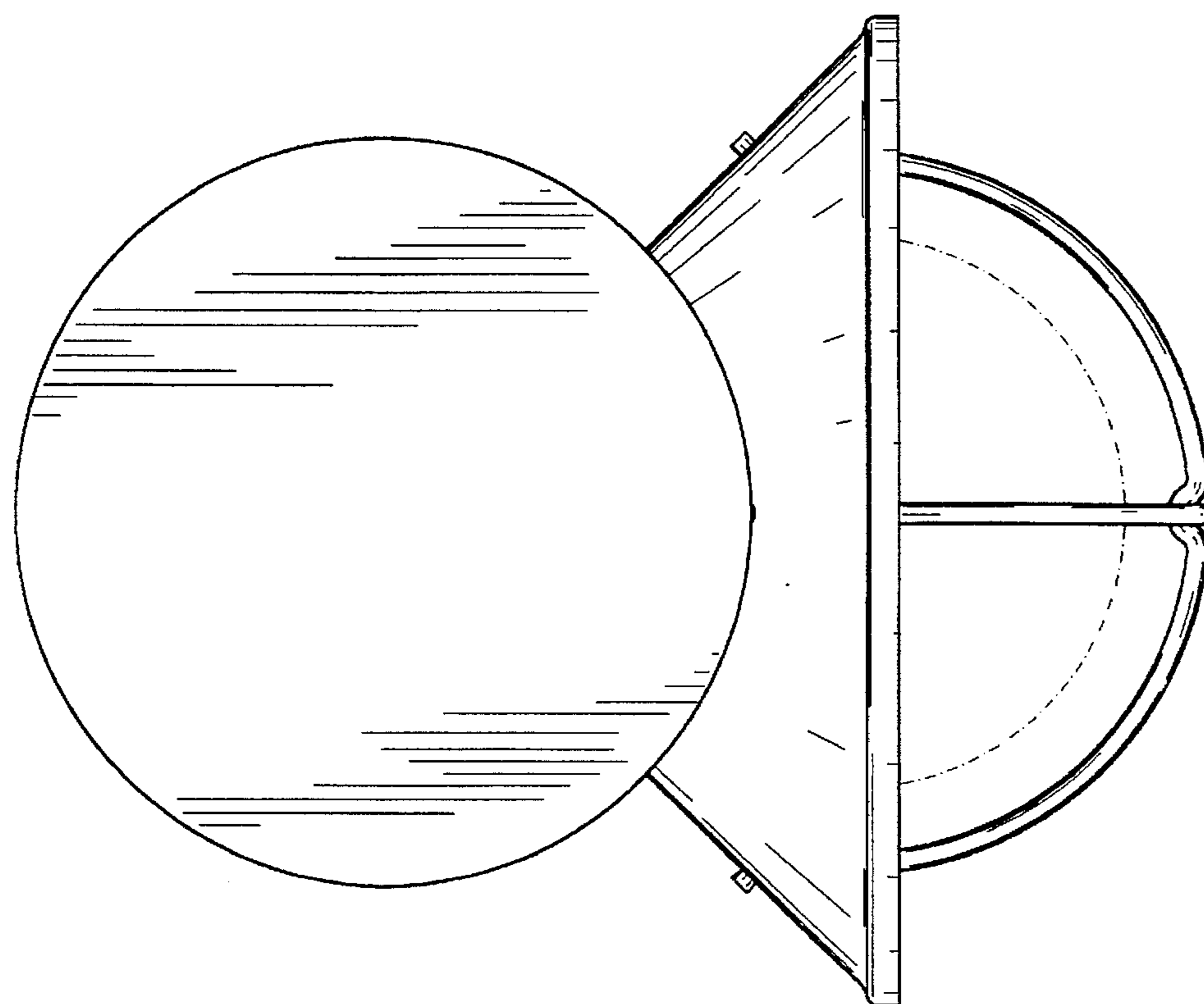


Fig.4

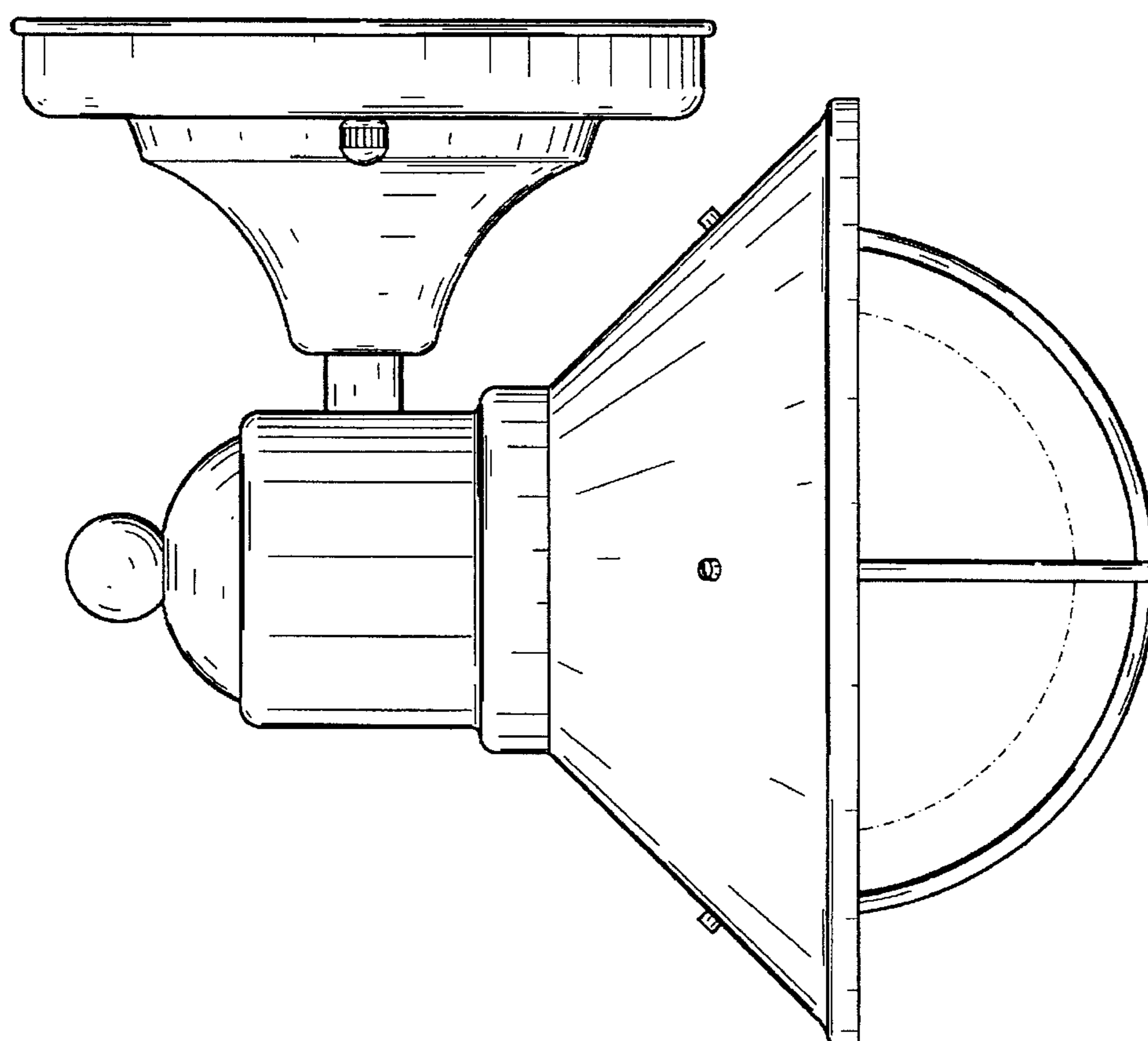


Fig.3

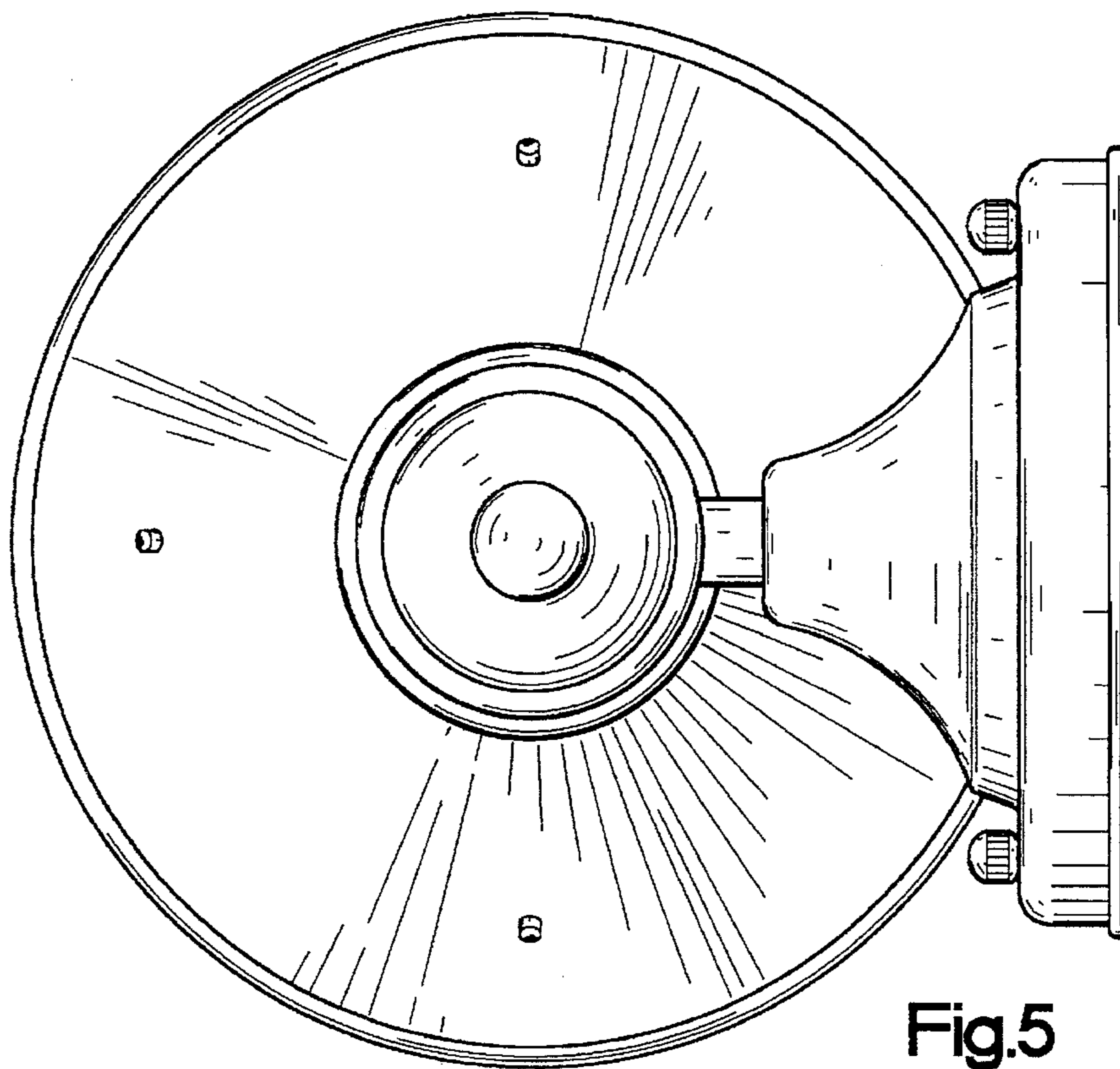


Fig.5

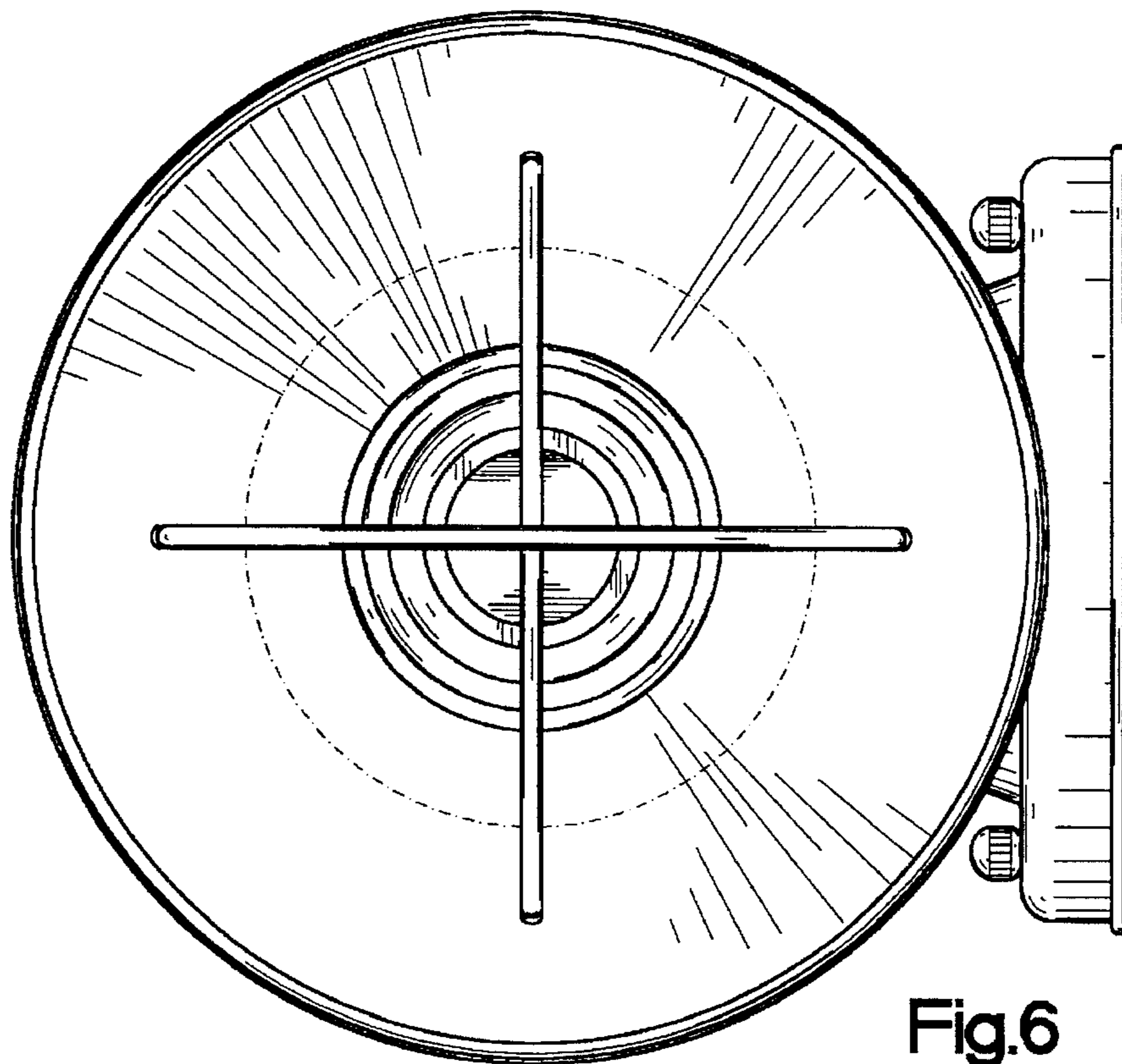


Fig.6