



US00D382076S

United States Patent [19] Chan

[11] Patent Number: **Des. 382,076**

[45] Date of Patent: ****Aug. 5, 1997**

[54] **LAMP**

[75] Inventor: **Alex Chan**, Hong Kong, Hong Kong

[73] Assignee: **Alpan, Inc.**, Camarillo, Calif.

[**] Term: **14 Years**

[21] Appl. No.: **42,498**

[22] Filed: **Aug. 11, 1995**

D. 351,678 10/1994 Chen D26/65
D. 352,125 11/1994 Hayashibara D26/65
D. 356,390 3/1995 Gismondi et al. D26/107
D. 360,277 7/1995 Roberts, III D26/107

Primary Examiner—Susan J. Lucas
Attorney, Agent, or Firm—Leydig, Voit & Mayer

[57] **CLAIM**

The ornamental design for a lamp, as shown and described.

DESCRIPTION

FIG. 1 is a front and right angle side perspective view of the lamp of the present invention;
FIG. 2 is a right side view of the lamp of the present invention;
FIG. 3 is a left side view of the lamp of the present invention;
FIG. 4 is a rear view of the lamp of the present invention;
FIG. 5 is a front view of the lamp of the present invention;
FIG. 6 is a front and right side perspective view of the lamp of the present invention in a contracted state;
FIG. 7 is a bottom plan view in the extended position; and
FIG. 8 is a top plan view in the extended position.

Related U.S. Application Data

[63] Continuation-in-part of Ser. No. 33,641, Jan. 17, 1995, abandoned.

[51] **LOC (6) Cl.** **26-05**

[52] **U.S. Cl.** **D26/65**

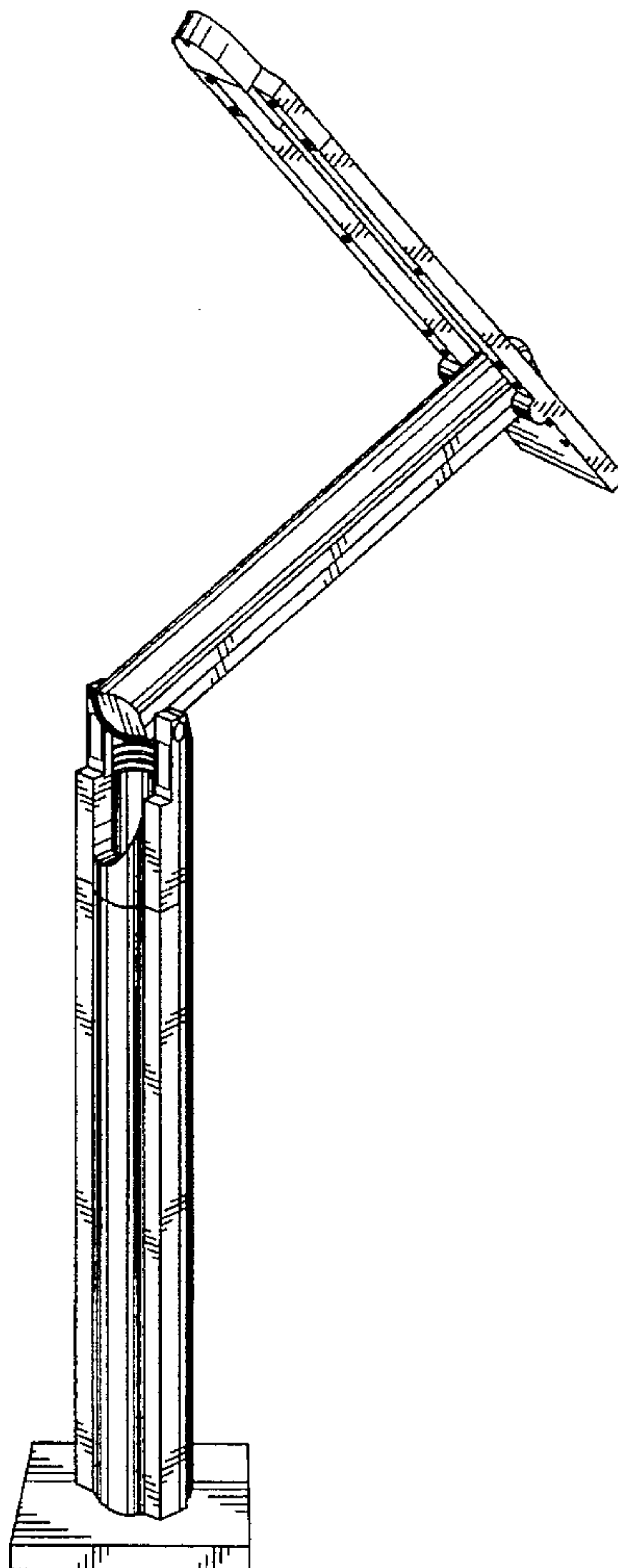
[58] **Field of Search** D26/93, 102-112;
362/410-414, 431, 269, 275, 287, 418,
419, 427, 401

[56] **References Cited**

U.S. PATENT DOCUMENTS

D. 313,083 12/1990 Huang D26/65
D. 314,832 2/1991 Botta D26/63
D. 326,533 5/1992 Cerbini D26/65

1 Claim, 6 Drawing Sheets



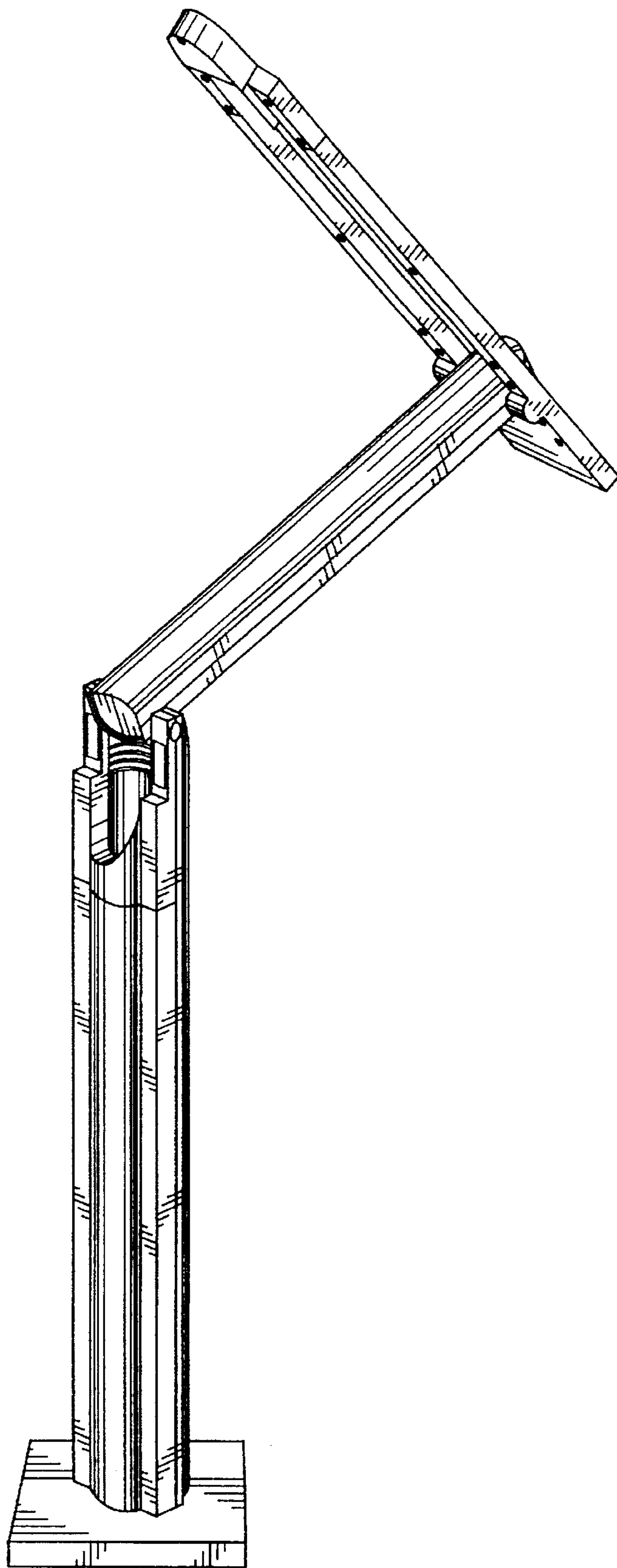


FIG. 1

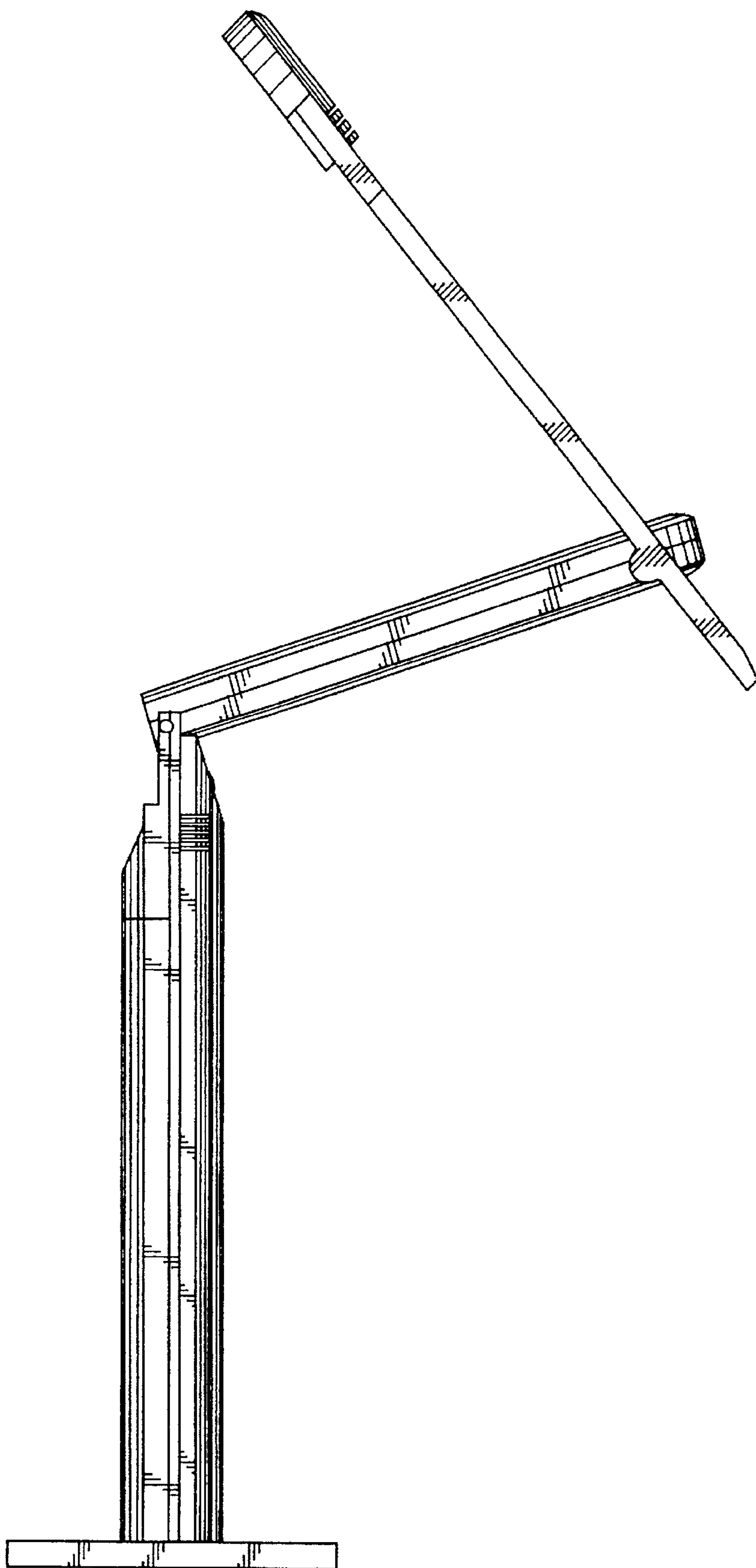


FIG. 2

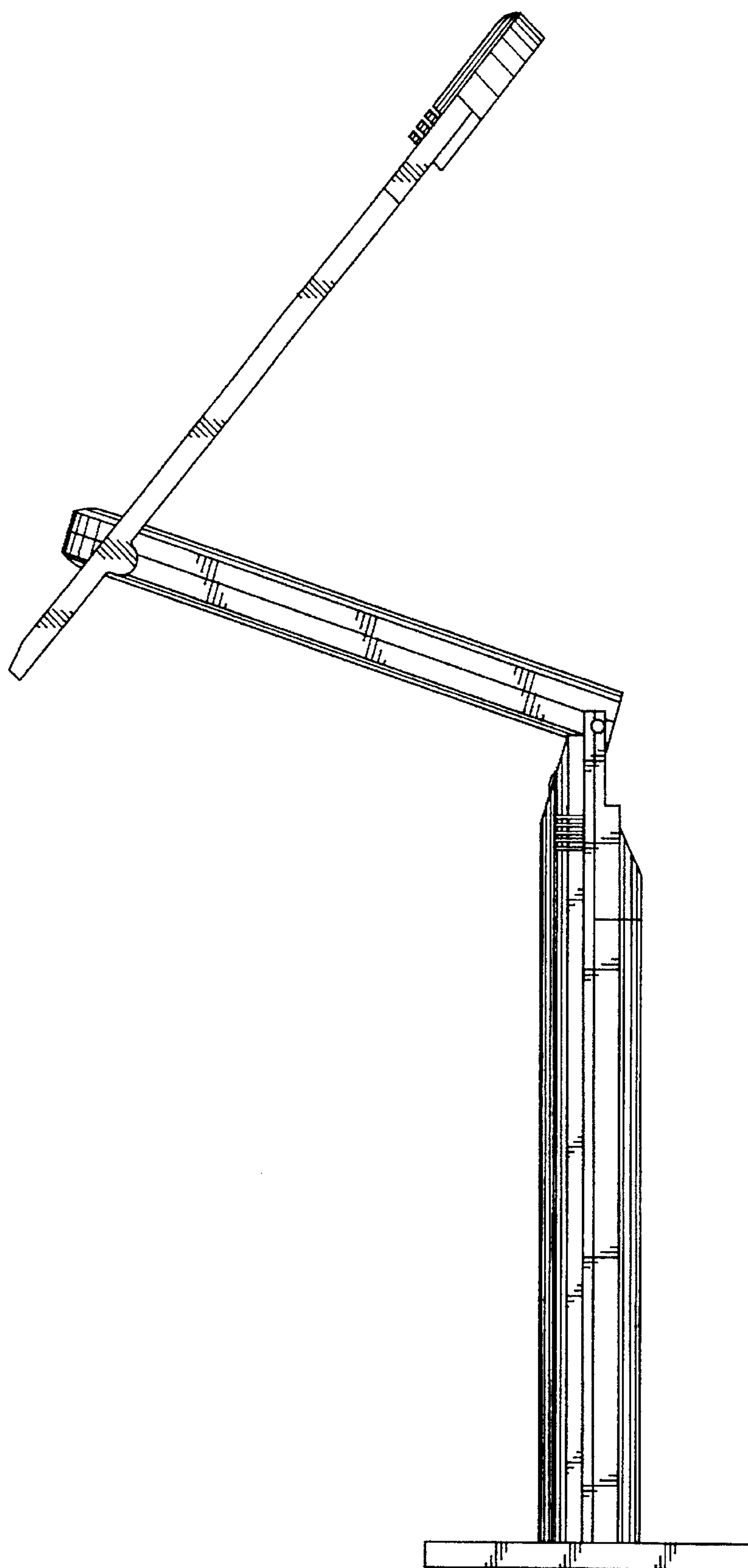


FIG. 3

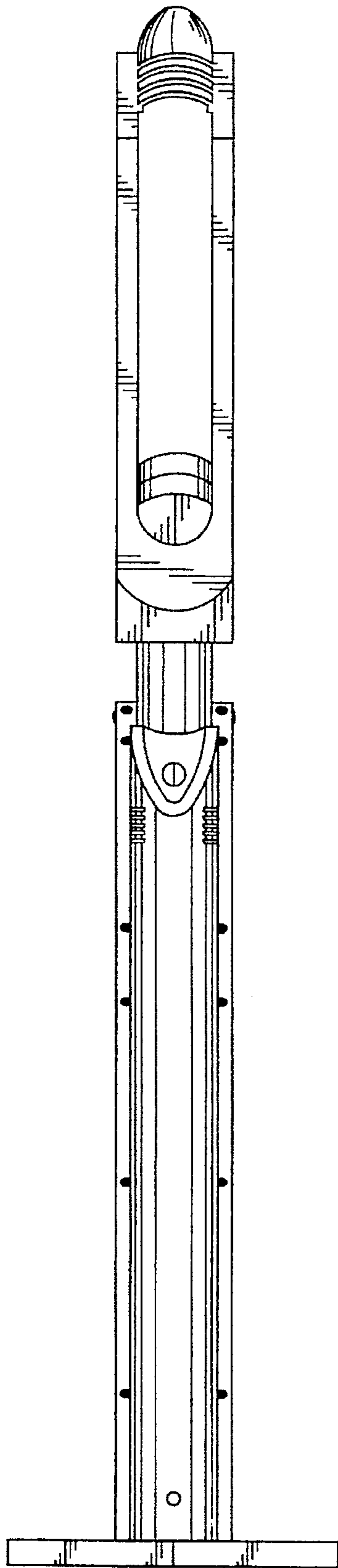


FIG. 4

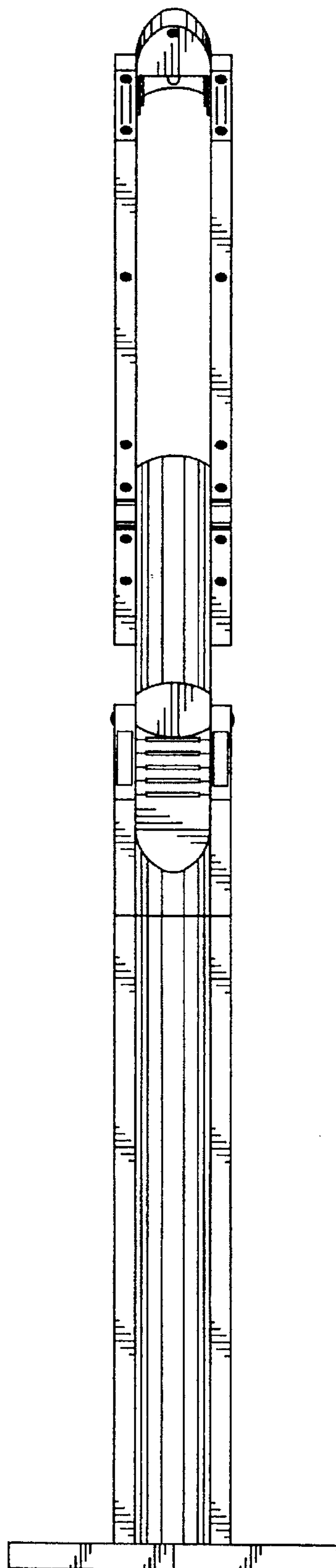


FIG. 5

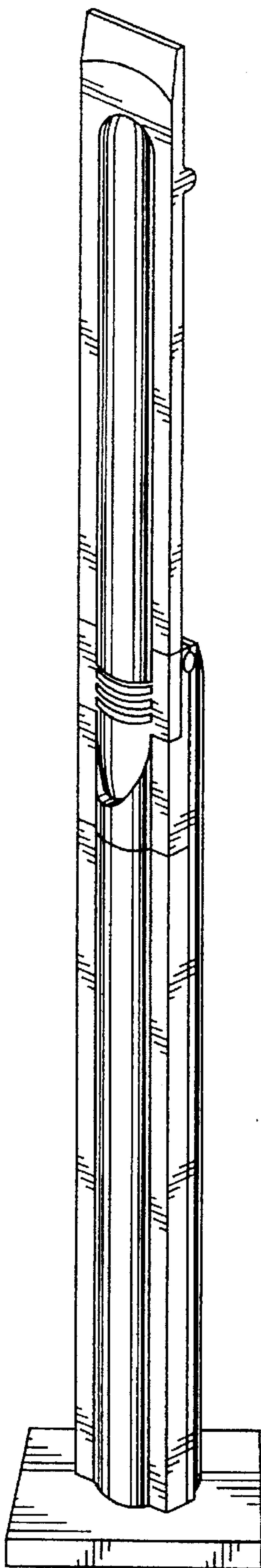


FIG. 6

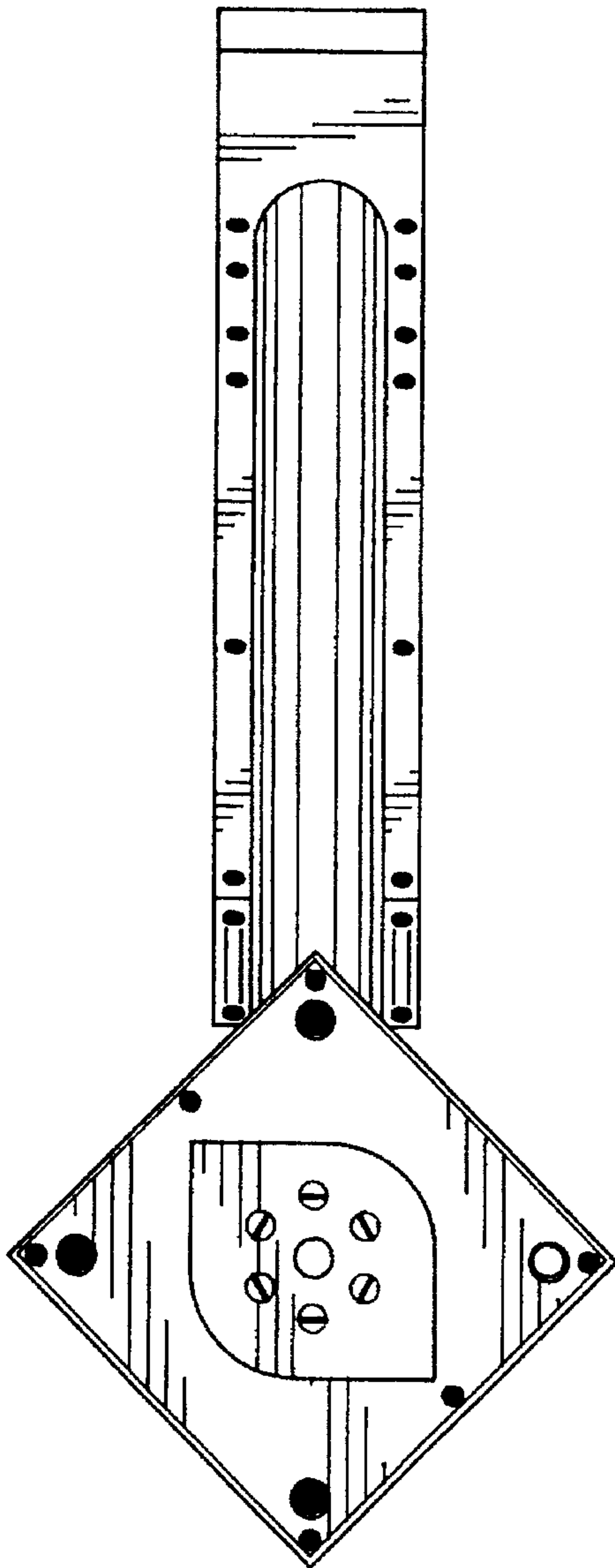


FIG. 7

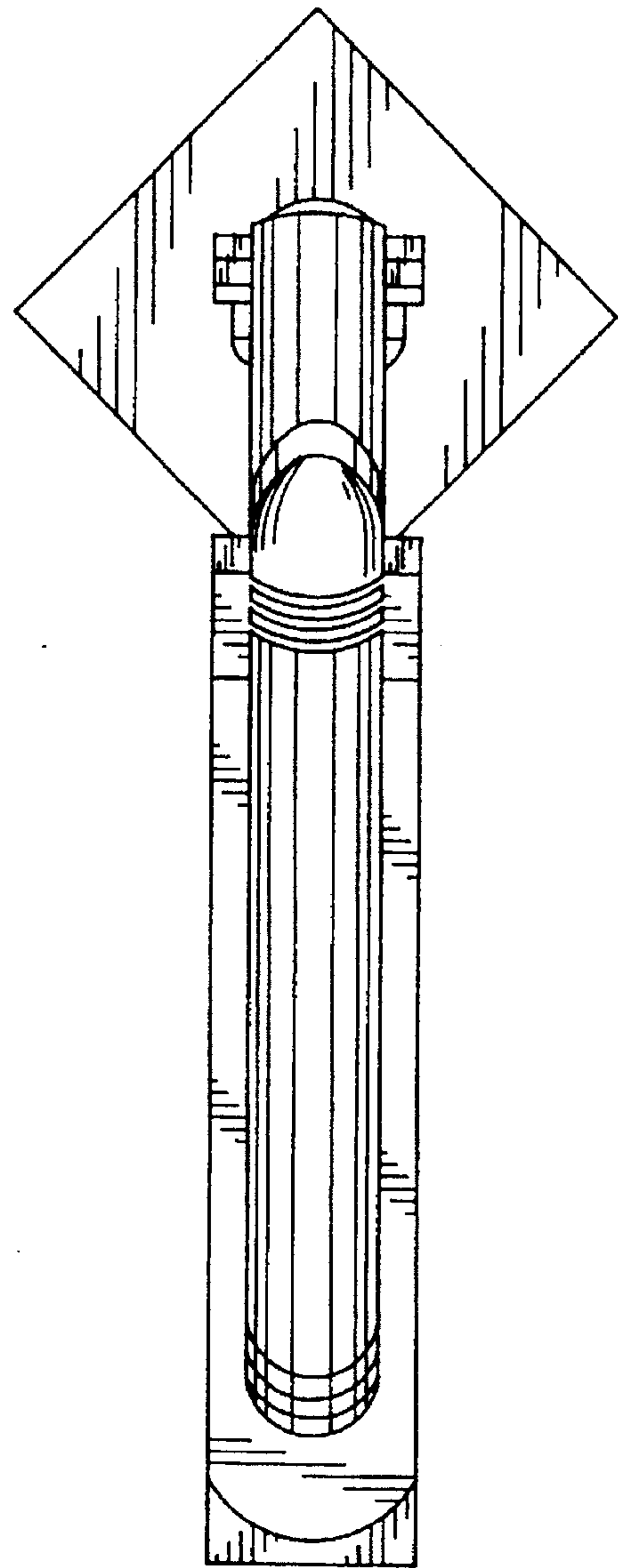


FIG. 8