



US00D382075S

United States Patent [19] Swyst

[11] Patent Number: **Des. 382,075**
[45] Date of Patent: ****Aug. 5, 1997**

[54] **LIGHT WITH FLEXIBLE HANDLE**

D. 314,246 1/1991 Bache D26/62
D. 328,144 7/1992 Yuen D26/44
3,111,277 11/1963 Grimsley D26/43 X

[75] Inventor: **Thomas Swyst, Arlington, Mass.**

[73] Assignee: **Black & Decker Inc., Newark, Del.**

[**] Term: **14 Years**

Primary Examiner—A. Hugo Word
Assistant Examiner—Lavone D. Tabor
Attorney, Agent, or Firm—Barry E. Deutsch

[21] Appl. No.: **35,084**

[57] **CLAIM**

[22] Filed: **Feb. 21, 1995**

The ornamental design for a light with flexible handle, as shown and described.

[51] LOC (6) Cl. **26-02**

[52] U.S. Cl. **D26/43**

[58] **Field of Search** D26/37-38, 43,
D26/44, 46, 49, 60, 62; 362/157, 158, 184,
188, 189, 191, 198, 199, 200, 202, 362,
396

DESCRIPTION

FIG. 1 is a perspective view taken from the front, bottom and right side of a light with flexible handle showing my new design;

FIG. 2 is a right side elevational view thereof;

FIG. 3 is a left side elevational view thereof;

FIG. 4 is a bottom plan view thereof;

FIG. 5 is a top plan view thereof;

FIG. 6 is a front elevational view thereof; and,

FIG. 7 is a rear elevational view thereof.

[56] **References Cited**

U.S. PATENT DOCUMENTS

D. 147,258 8/1947 Becker D26/43
D. 166,073 3/1952 Dunkelberger D26/43
D. 281,818 12/1985 Zurwelle D26/37
D. 292,616 11/1987 Sexton D26/37

1 Claim, 3 Drawing Sheets

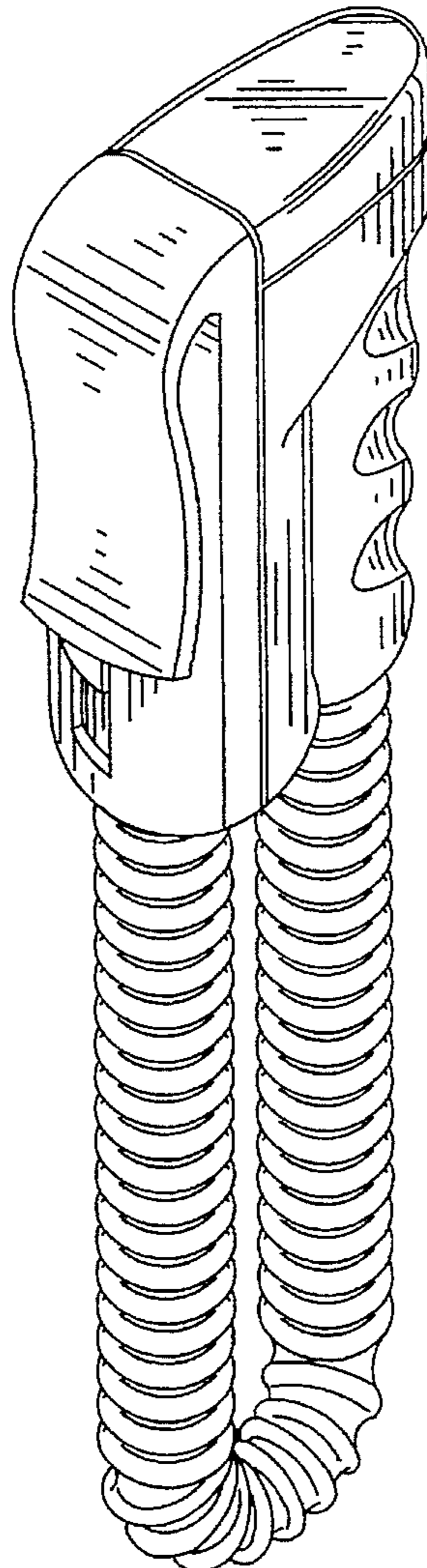


FIG. 1

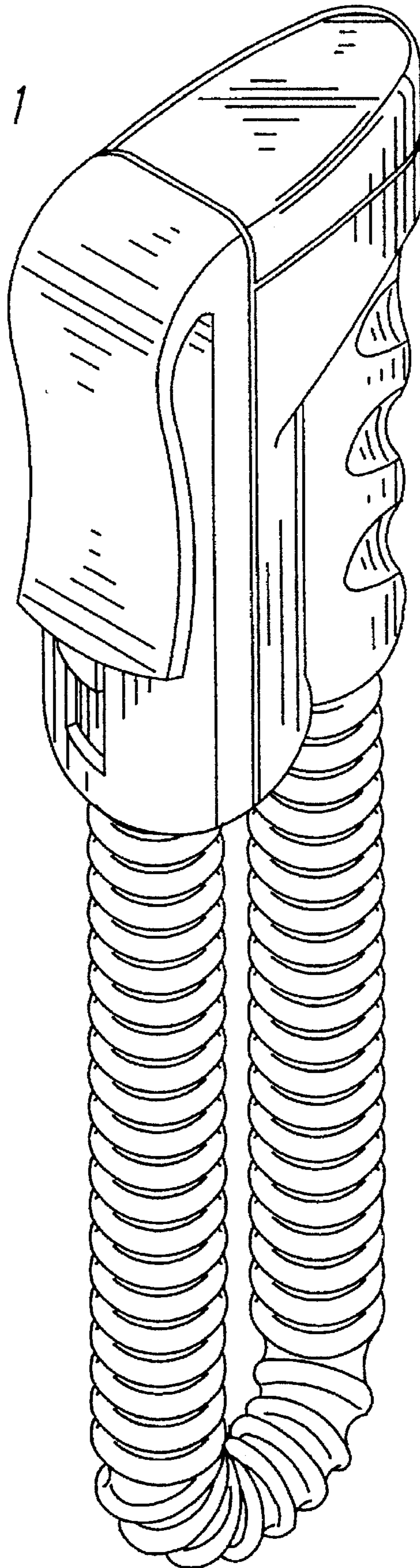


FIG. 2

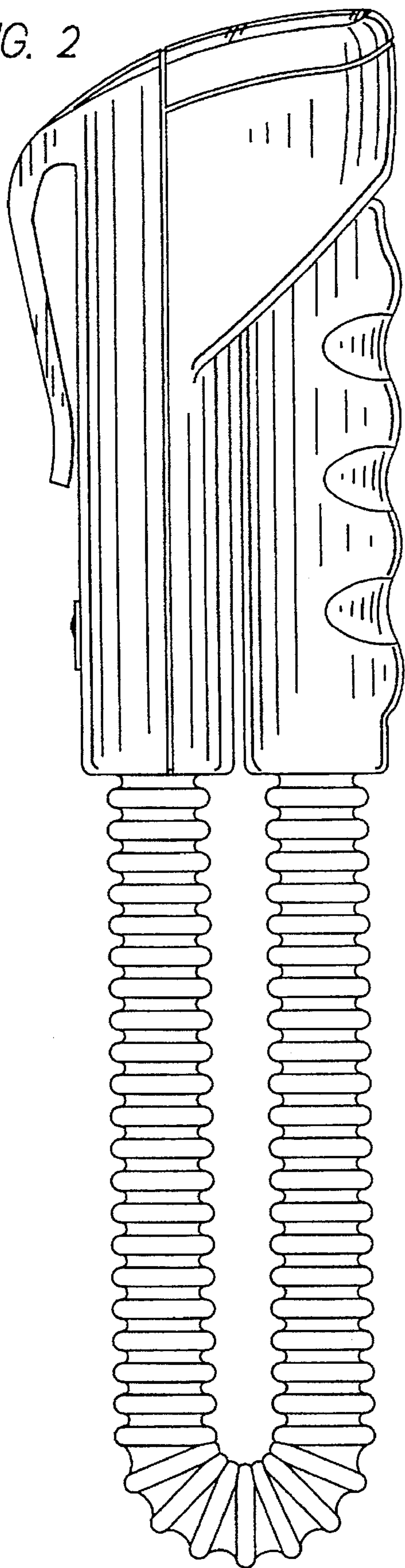


FIG. 3

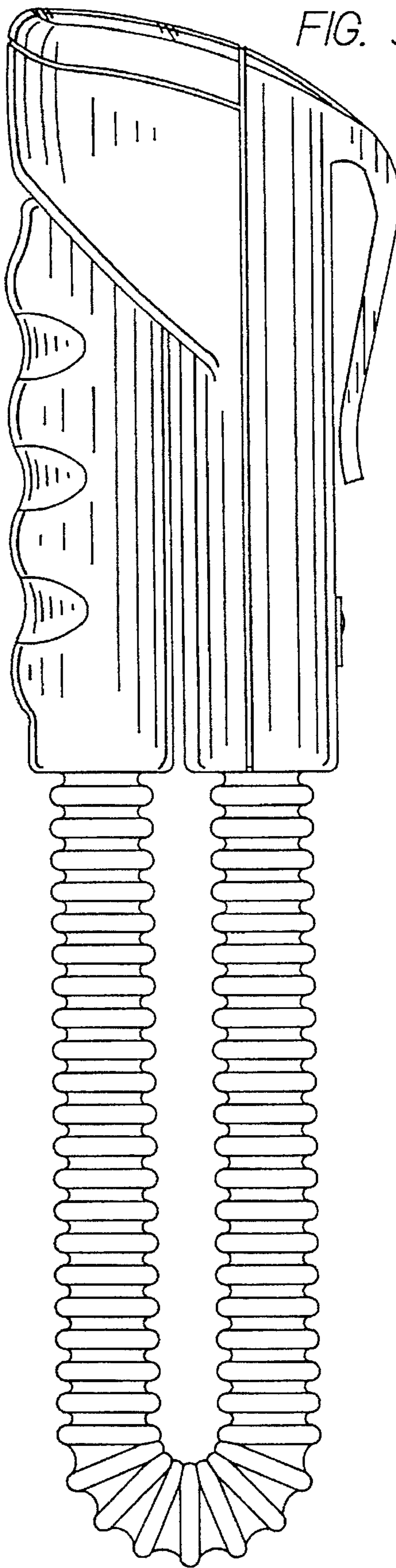


FIG. 4

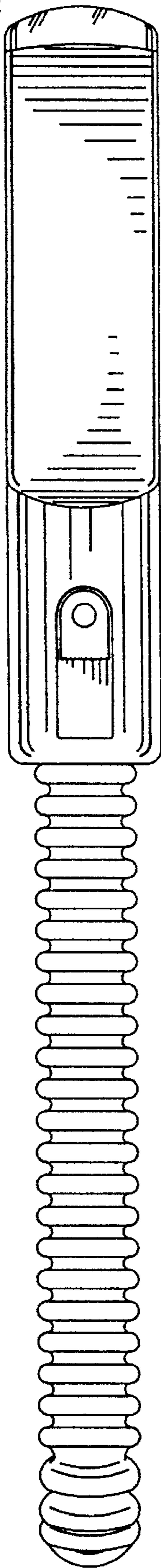


FIG. 5

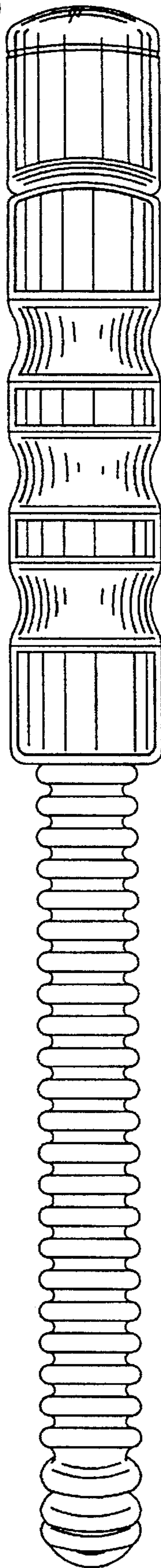


FIG. 6

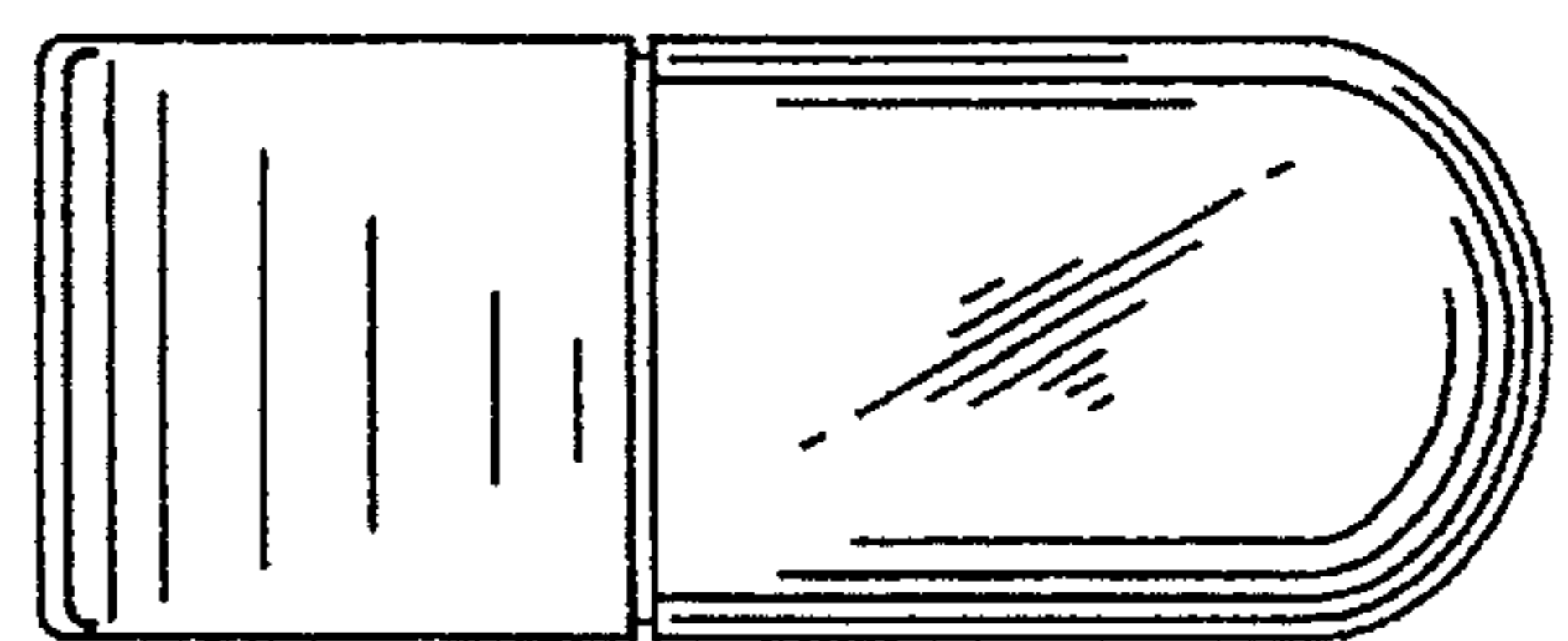


FIG. 7

