



US00D382064S

**United States Patent** [19]  
**McPhail**

[11] **Patent Number: Des. 382,064**

[45] **Date of Patent: \*\*Aug. 5, 1997**

[54] **PORTABLE GREEN HOUSE**

4,316,347 2/1982 Smith ..... D25/15 X

[76] **Inventor: Milton H. McPhail, 27 Savarese La., Burlington, Conn. 06013**

*Primary Examiner*—Kay H. Chin  
*Attorney, Agent, or Firm*—Harold H. Dutton, Jr.; Diane F. Liebman

[\*\*] **Term: 14 Years**

[57] **CLAIM**

[21] **Appl. No.: 55,013**

The ornamental design for a portable green house, as shown.

[22] **Filed: May 28, 1996**

**DESCRIPTION**

[51] **LOC (6) Cl. .... 25-03**

[52] **U.S. Cl. .... D34/19; D25/15**

[58] **Field of Search .... D34/12, 17, 19, D34/20, 21; D25/15, 18, 19, 21**

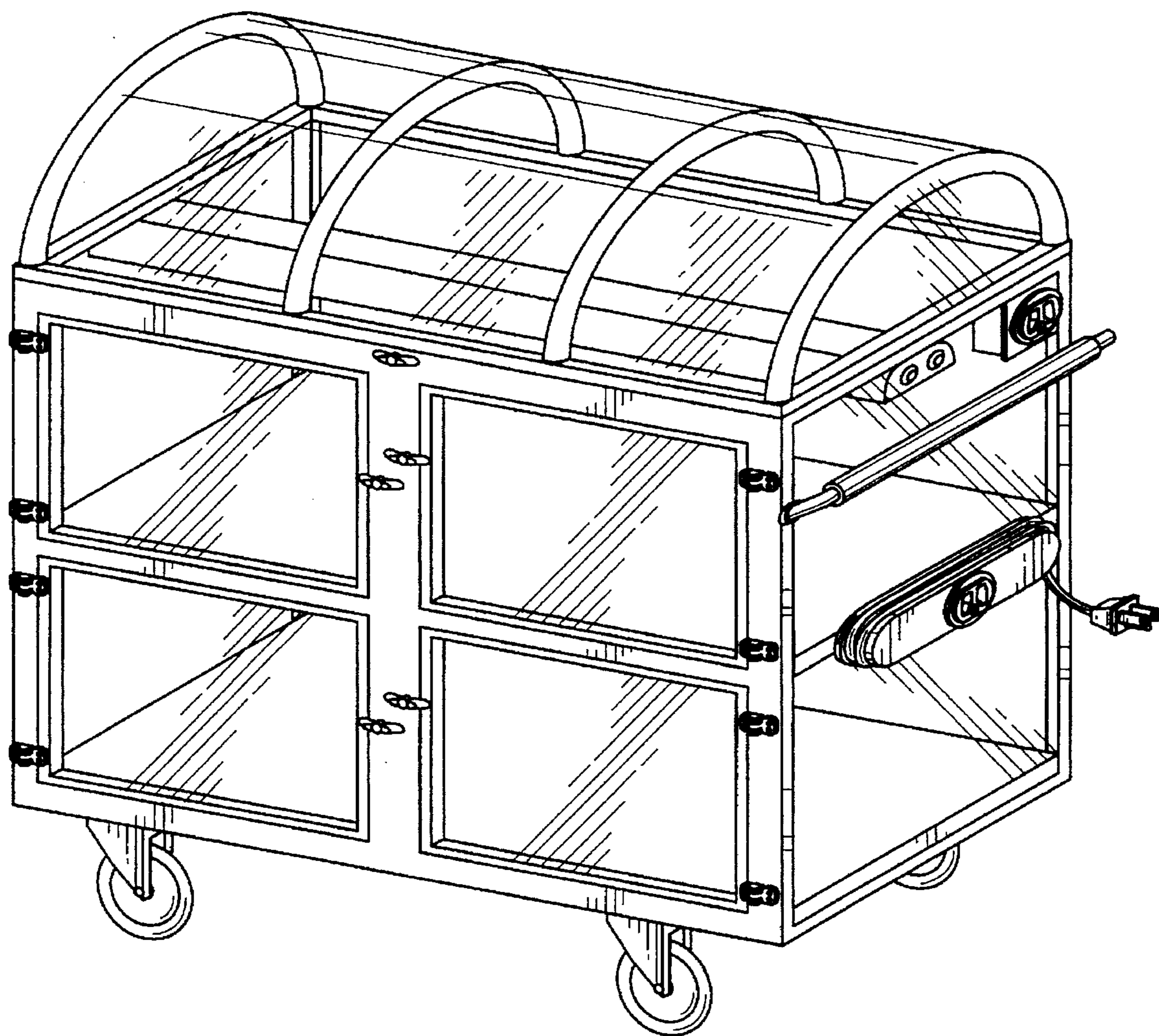
FIG. 1 is a perspective view of a portable green house showing my new design;  
FIG. 2 is a right side view thereof;  
FIG. 3 is a left side view thereof;  
FIG. 4 is a front view thereof;  
FIG. 5 is a rear view thereof;  
FIG. 6 is a top view thereof; and,  
FIG. 7 is a bottom view thereof.

[56] **References Cited**

**U.S. PATENT DOCUMENTS**

- D. 244,542 5/1977 Obata ..... D25/18
- D. 299,753 2/1989 Virgilio ..... D25/15
- 4,216,741 8/1980 Moss ..... D25/15 X

**1 Claim, 4 Drawing Sheets**



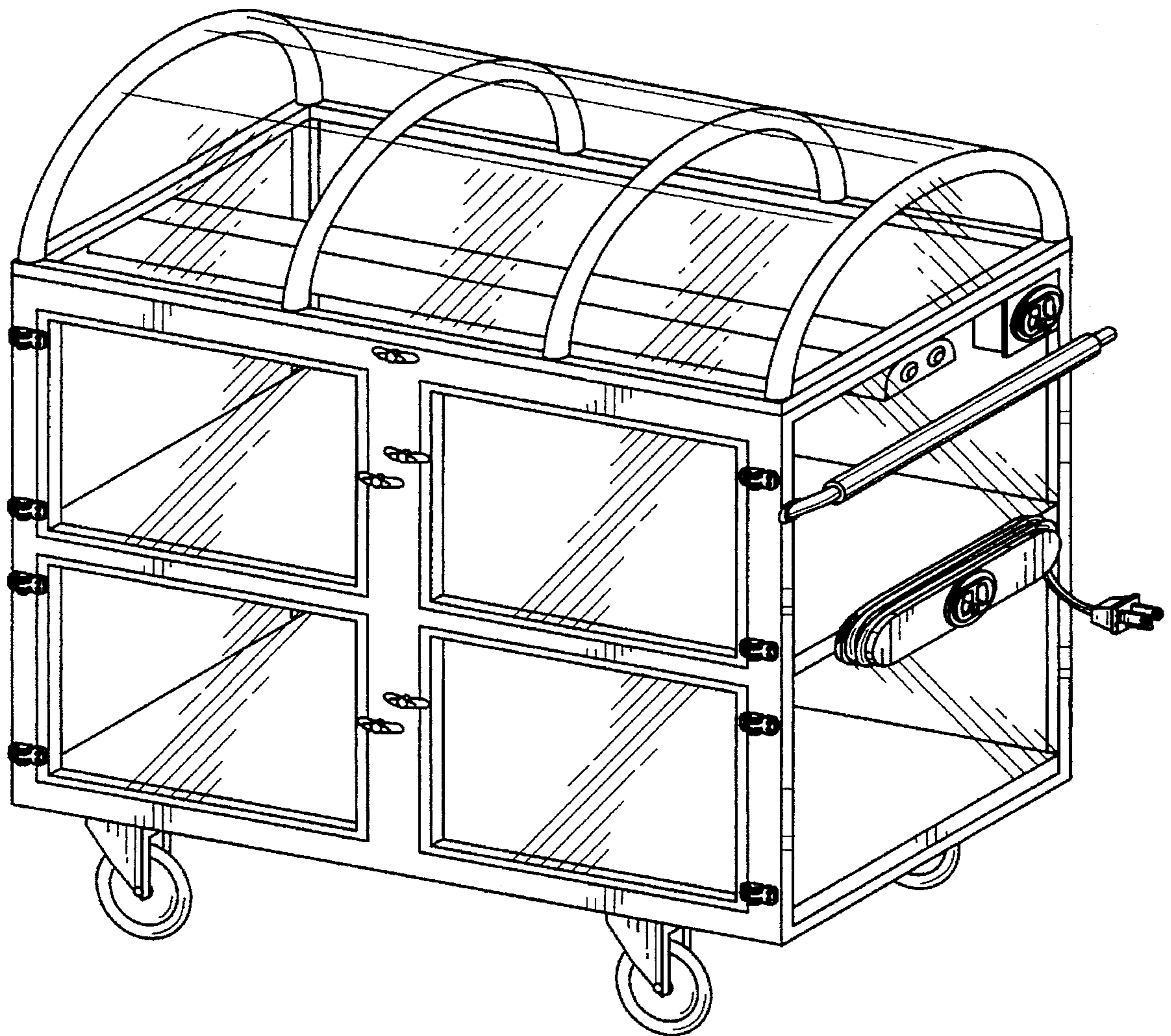


FIG. 1

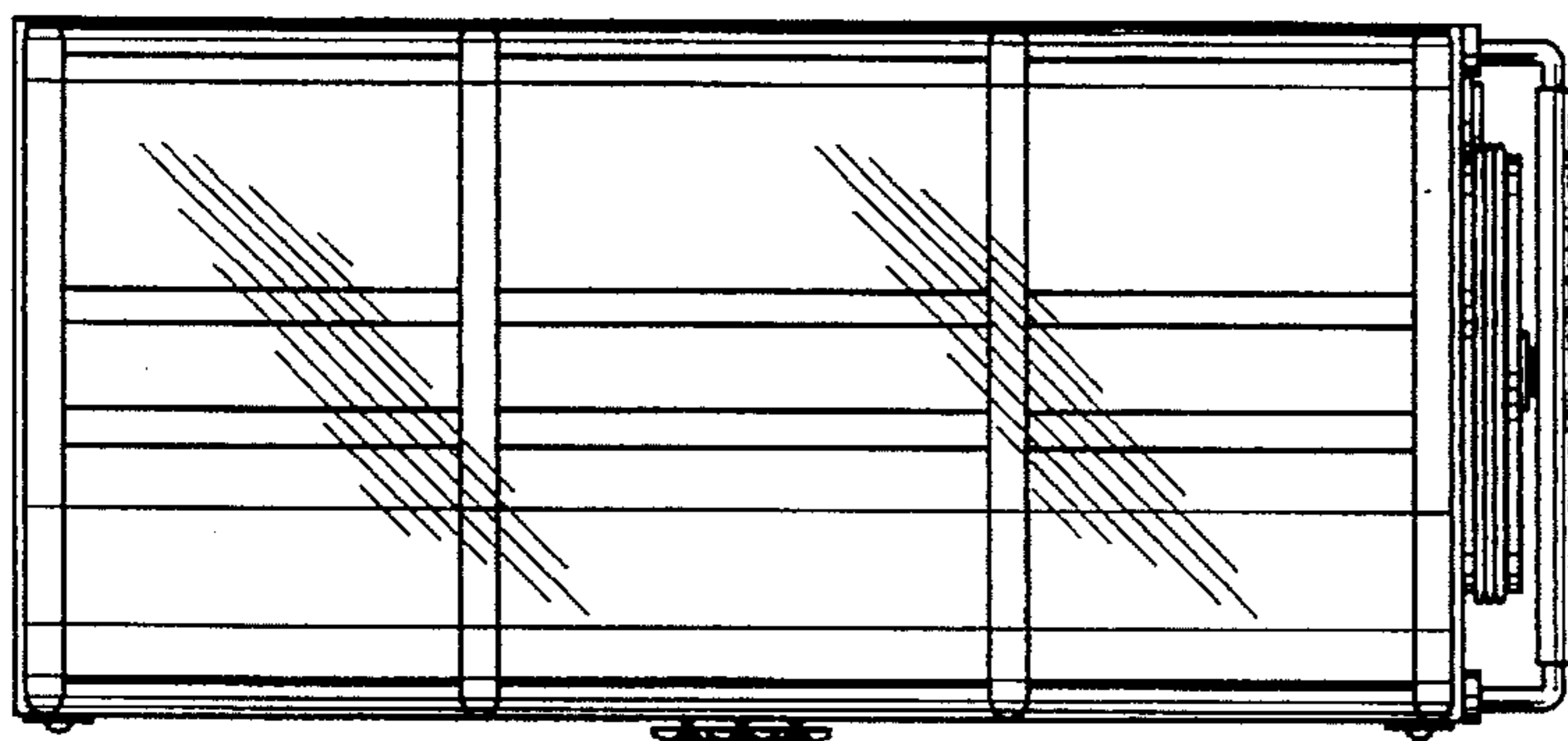


FIG. 6

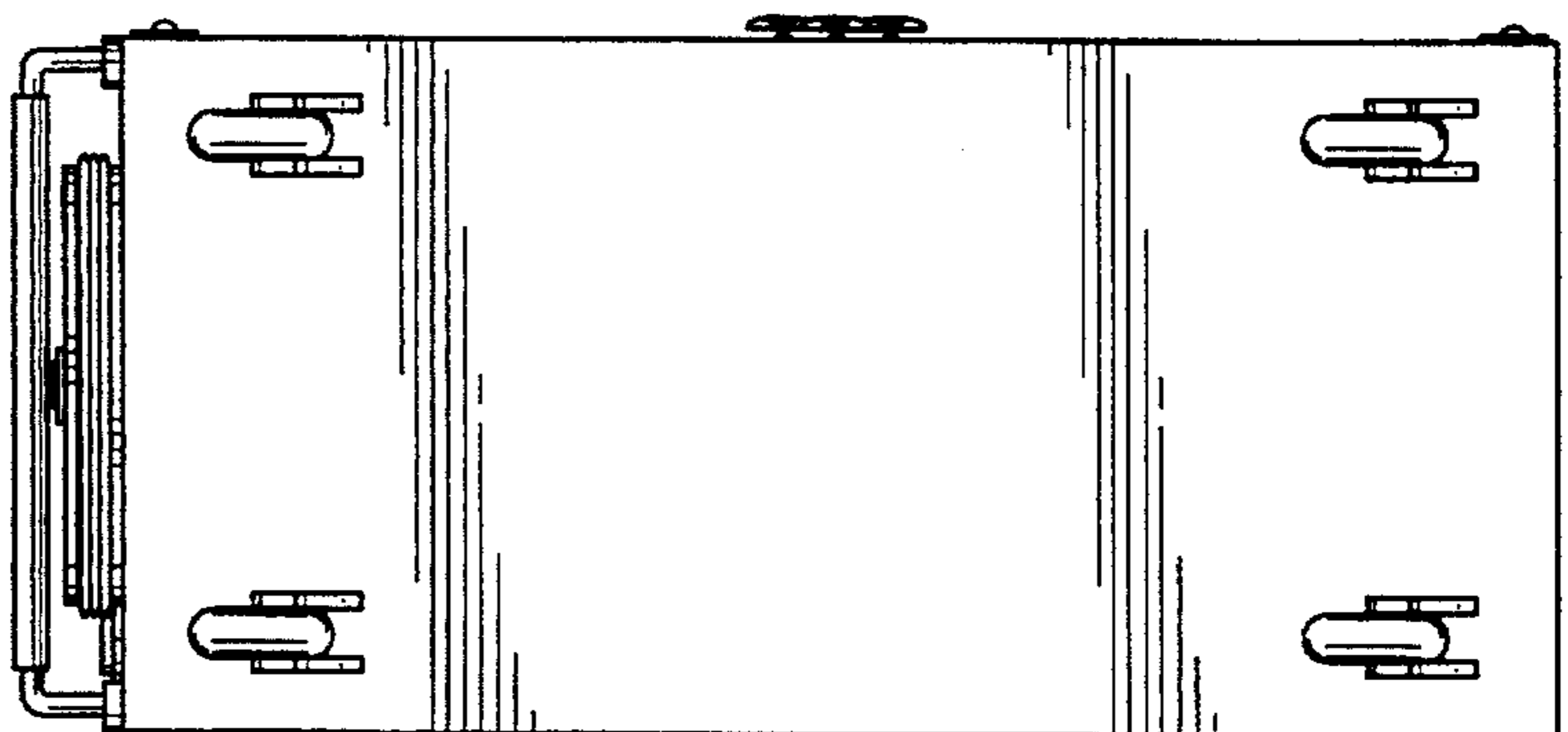


FIG. 7

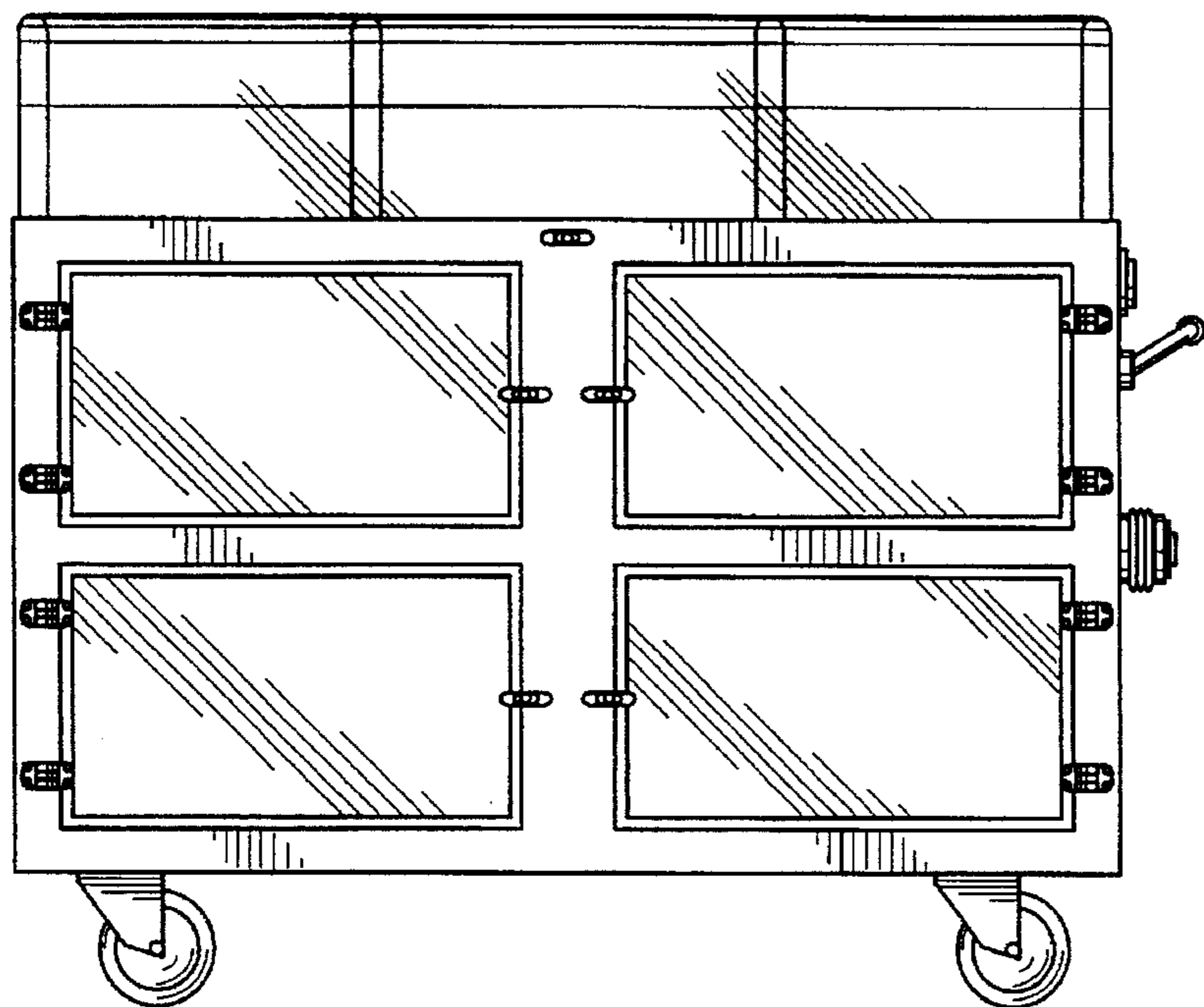


FIG. 2

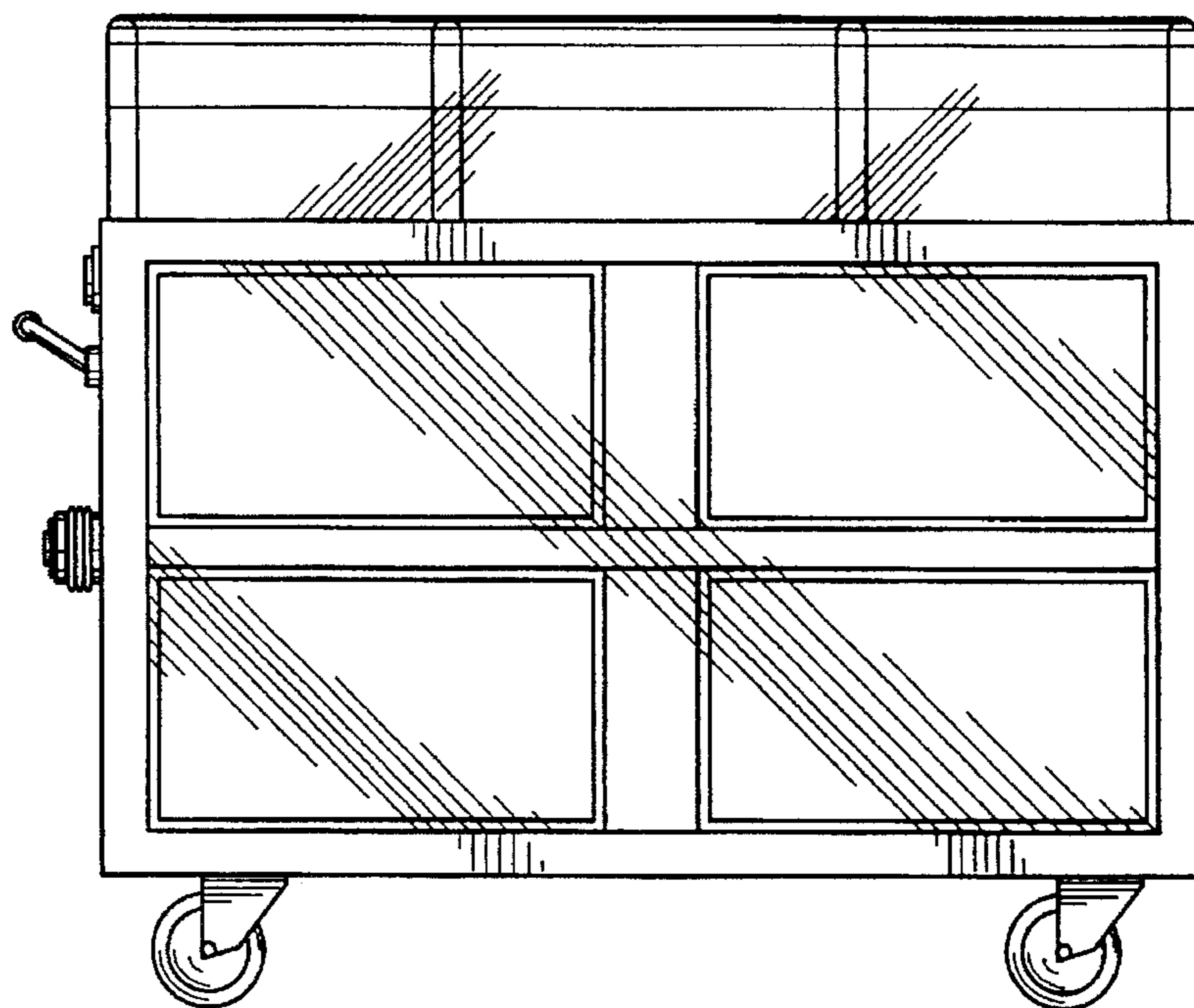


FIG. 3

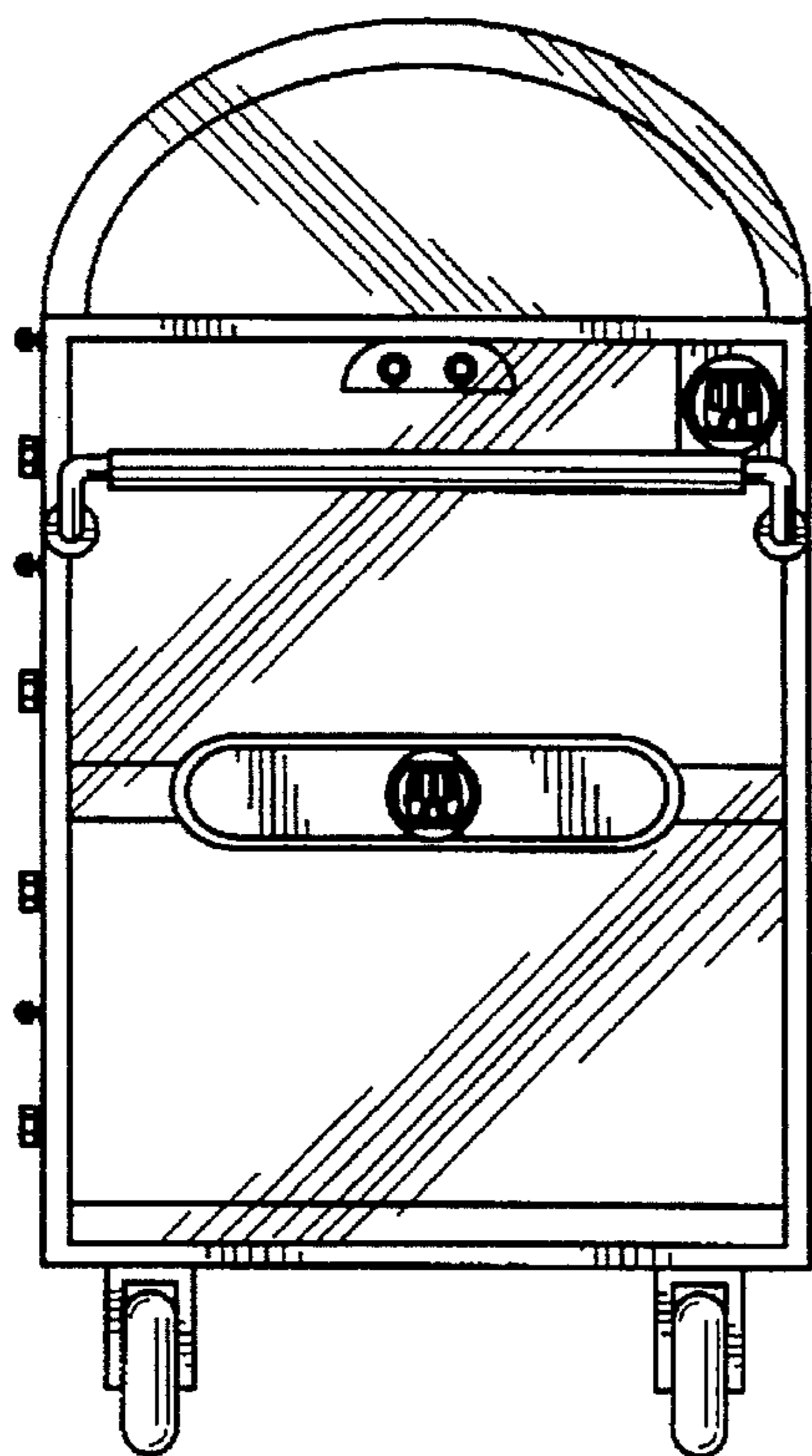


FIG. 4

FIG. 5

