



US00D382063S

United States Patent [19]

Stevens et al.

[11] Patent Number: **Des. 382,063**

[45] Date of Patent: ****Aug. 5, 1997**

[54] CULTURE SLIDE

5,391,496 2/1995 Kayal et al. 435/304.1

[75] Inventors: **Timothy A. Stevens**, Madison; **Tadeusz A. Tyndorf**, Manalapan, both of N.J.

Primary Examiner—Ruth McInroy
Assistant Examiner—I. Simmons
Attorney, Agent, or Firm—Nanette S. Thomas

[73] Assignee: **Becton, Dickinson and Company**, Franklin Lakes, N.J.

[57] **CLAIM**

[**] Term: **14 Years**

The ornamental design for a culture slide, as shown and described.

[21] Appl. No.: **39,860**

DESCRIPTION

[22] Filed: **Jun. 6, 1995**

[51] LOC (6) Cl. **24-02**

FIG. 1 is a top and front perspective view of the culture slide;

[52] U.S. Cl. **D24/225; D24/224**

FIG. 2 is a top plan view thereof;

[58] Field of Search D24/225, 224, D24/227; 359/398, 246; 435/305.1, 305.4, 305.3, 286.6, 286.2, 240, 305; 422/100, 102

FIG. 3 is a side elevational view thereof;

FIG. 4 is a front elevation view thereof;

FIG. 5 is a back elevational view thereof; and,

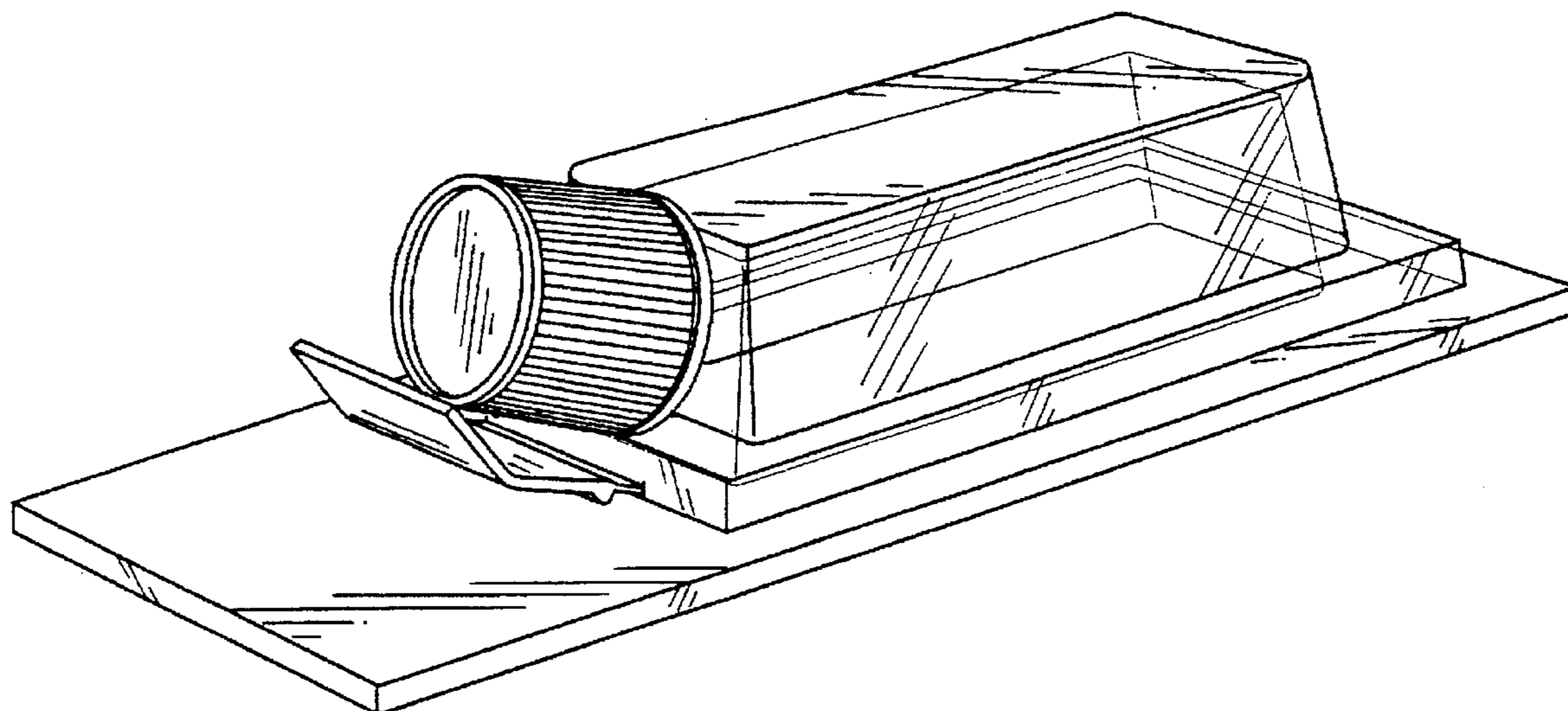
FIG. 6 is a bottom plan view thereof.

[56] **References Cited**

U.S. PATENT DOCUMENTS

5,310,676 5/1994 Johansson et al. 435/304.1

1 Claim, 4 Drawing Sheets



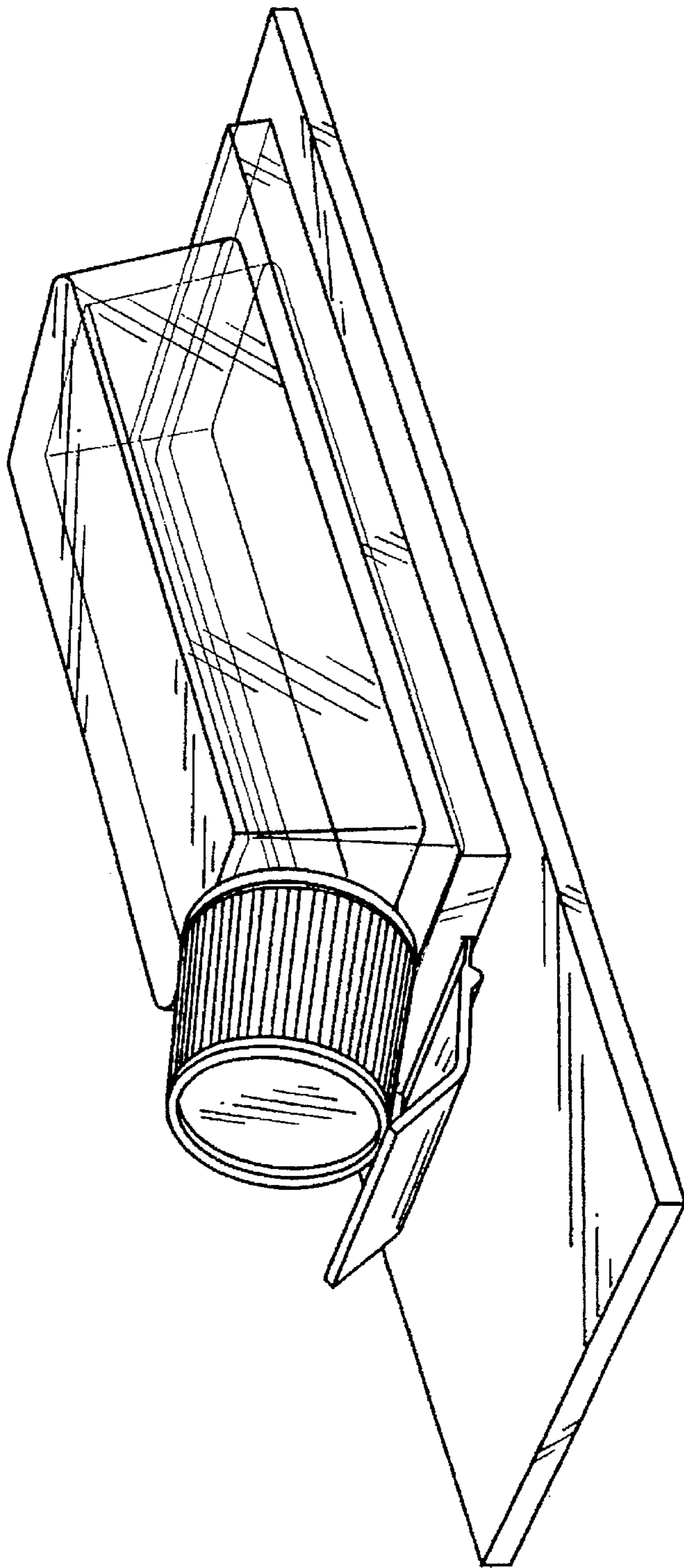


FIG-1

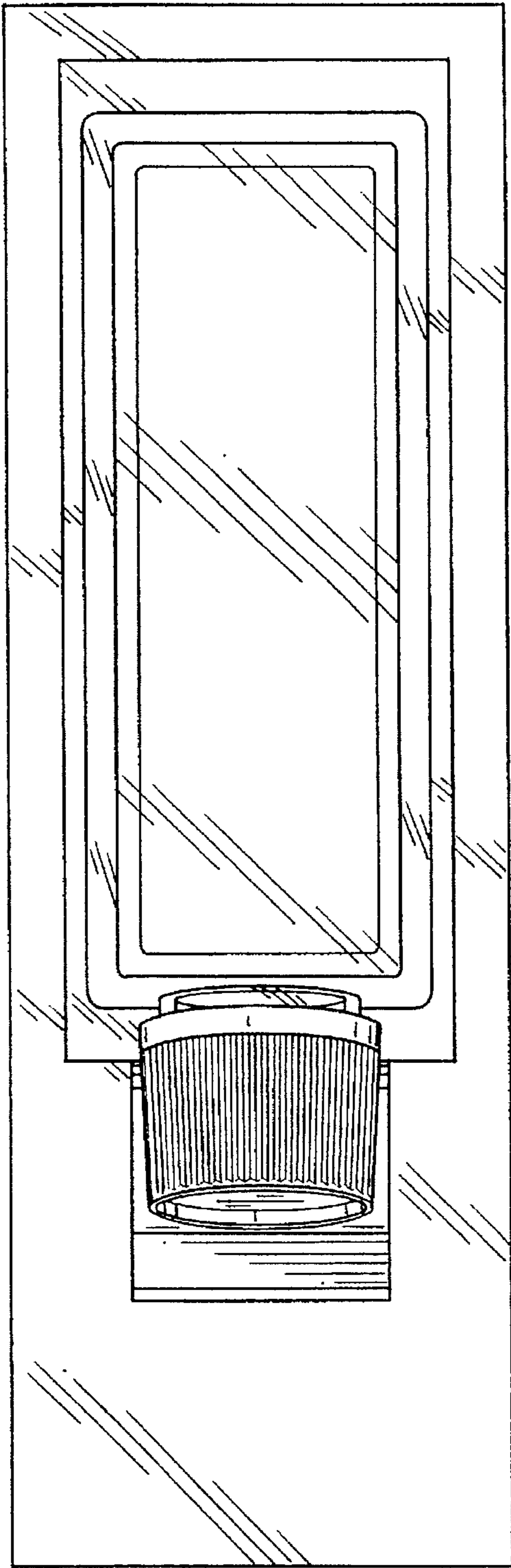


FIG-2

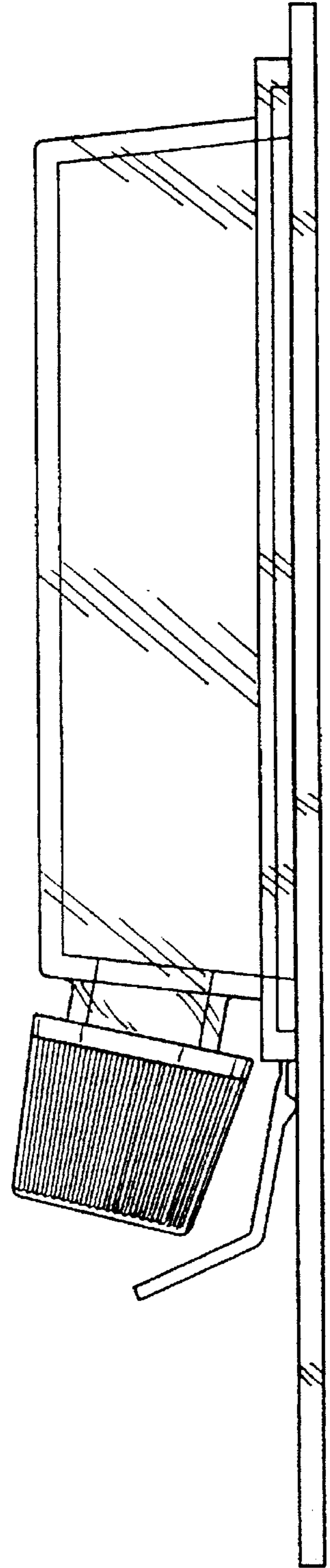


FIG-3

FIG-4

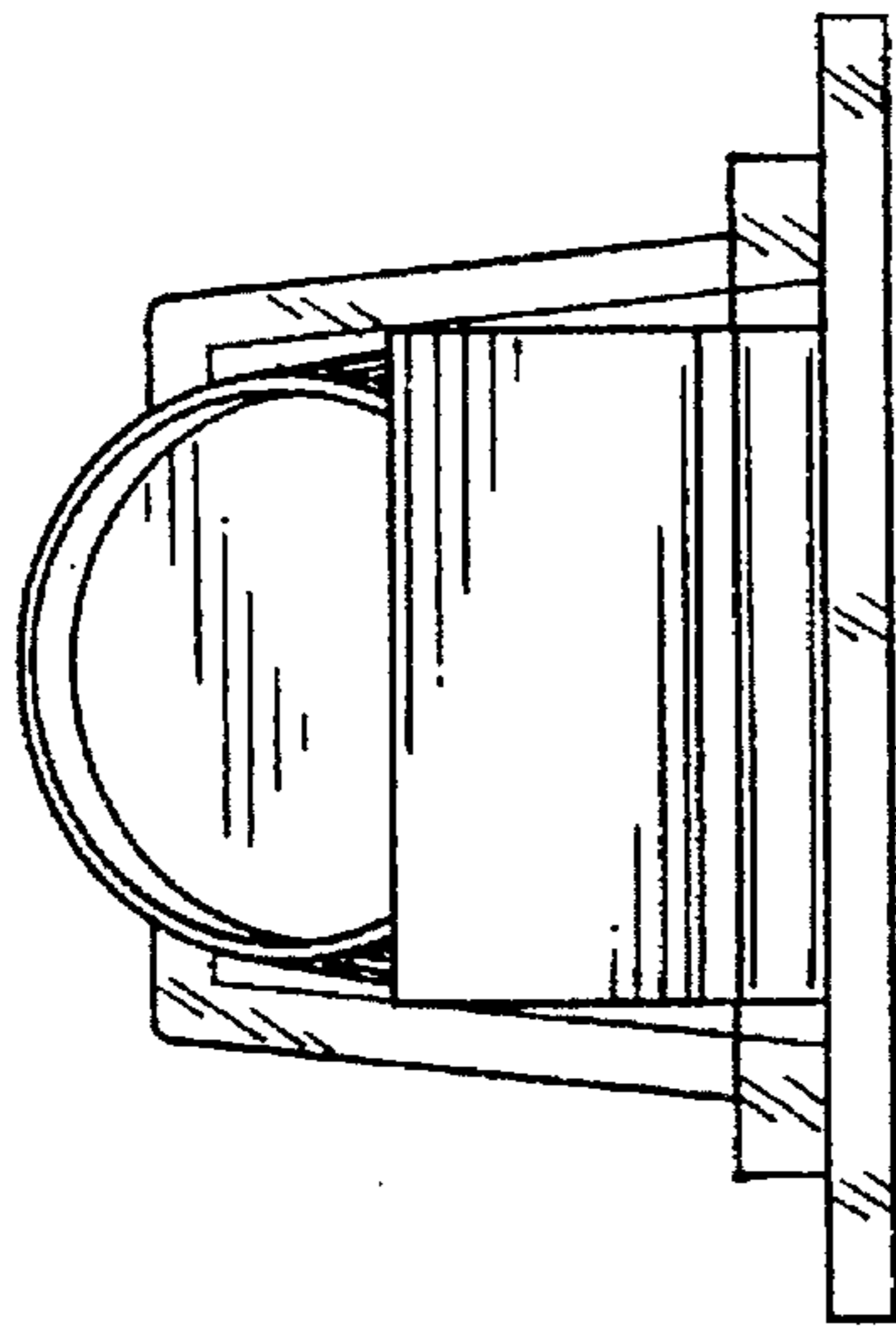


FIG-5

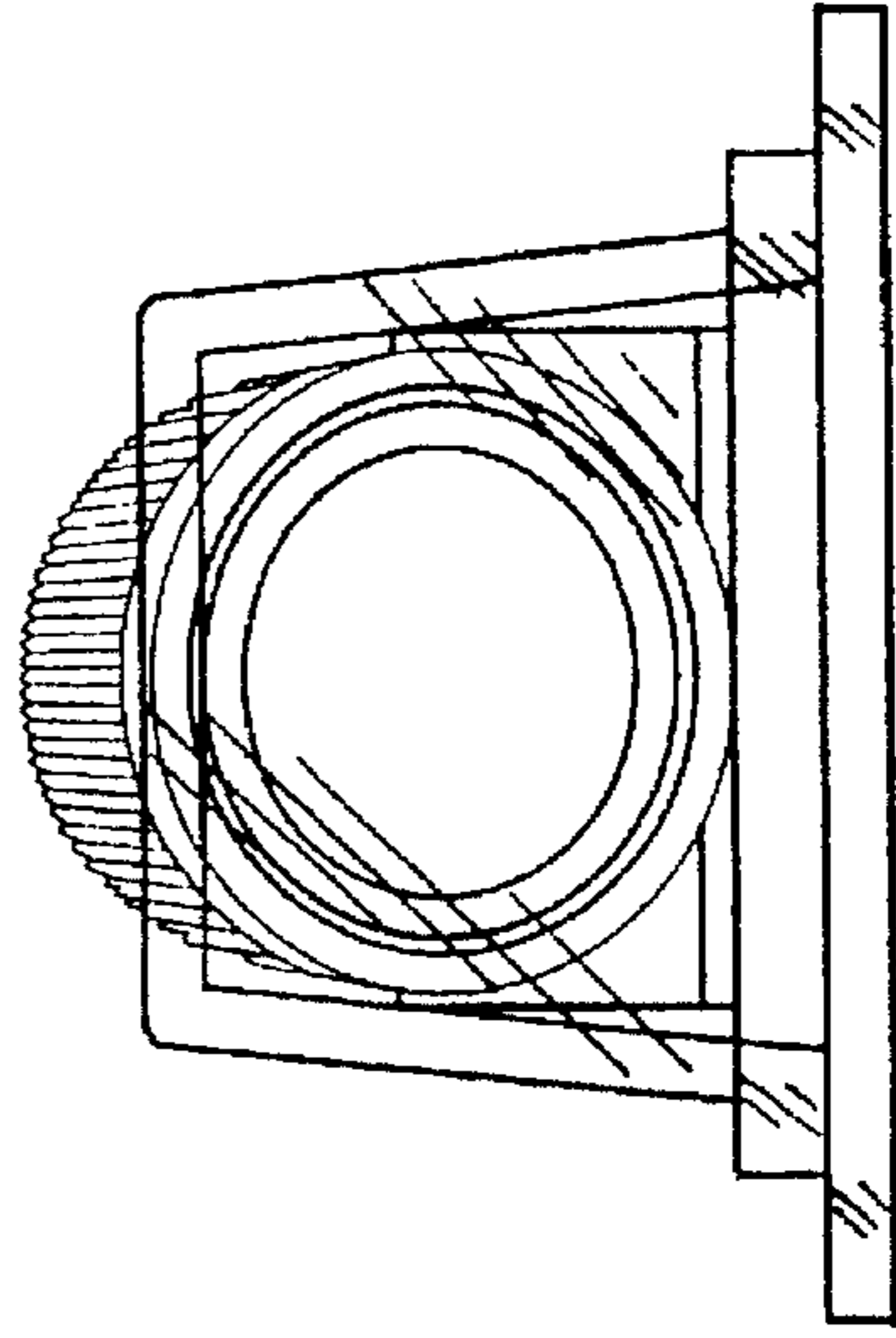


FIG-6

