



US00D382062S

# United States Patent [19]

Stevens et al.

[11] Patent Number: Des. 382,062

[45] Date of Patent: \*\*\*Aug. 5, 1997

[54] CULTURE SLIDE

[75] Inventors: Timothy A. Stevens, Madison; Tadeusz A. Tyndorf, Manalapan, both of N.J.

[73] Assignee: Becton, Dickinson and Company, Franklin Lakes, N.J.

[\*] Notice: The portion of the term of this patent subsequent to Apr. 8, 2011, has been disclaimed.

[\*\*] Term: 14 Years

3,879,106	4/1975	McCormick	350/95
3,961,346	6/1976	White	356/244
4,039,247	8/1977	Lawman et al.	350/95
4,299,920	11/1981	Peters	435/305.4 X
4,387,972	6/1983	Valencia	350/536
4,637,693	1/1987	Mitchell	350/536
4,715,911	12/1987	Johansson et al.	156/69
4,722,598	2/1988	Ford	350/536
4,865,983	9/1989	Guala	206/569 X
4,974,952	12/1990	Focht	350/536
5,002,377	3/1991	Battifora et al.	350/535
5,417,576	5/1995	Hill	435/305.4 X
5,484,731	1/1996	Stevens	435/305.3

### FOREIGN PATENT DOCUMENTS

2617500	1/1989	France	435/305.1
---------	--------	--------	-----------

Primary Examiner—Louis S. Zarfaz  
Assistant Examiner—I. Simmons  
Attorney, Agent, or Firm—Nanette S. Thomas

[21] Appl. No.: 39,858

[22] Filed: Jun. 6, 1995

[51] LOC (6) Cl. 24-02

[52] U.S. Cl. D24/225; D24/216; D24/224

[58] Field of Search D24/225, 224, D24/227; 359/398, 246; 435/305.1, 305.4, 305.3, 286.6, 286.2, 240, 305; 422/100, 102

### [57] CLAIM

The ornamental design for a culture slide, as shown and described.

### [56] References Cited

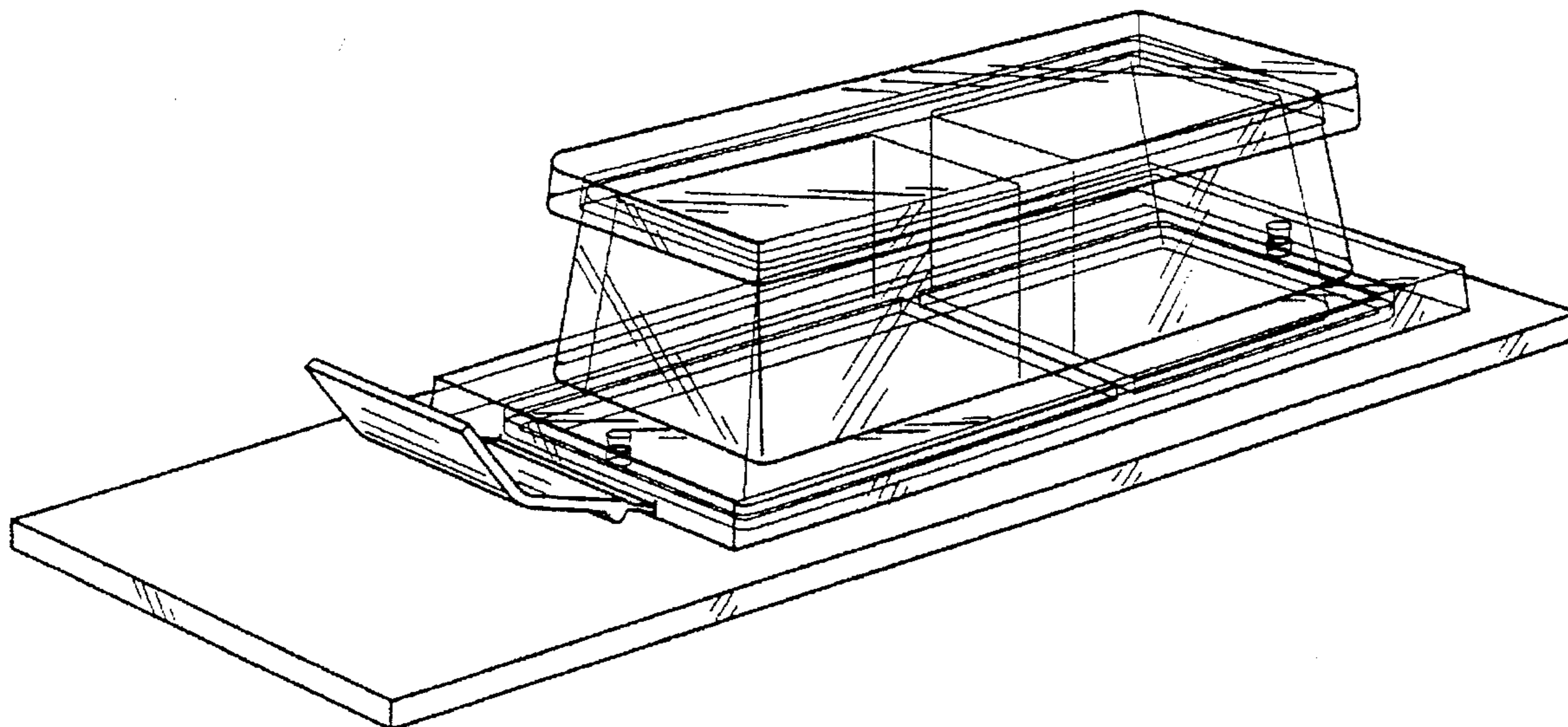
#### U.S. PATENT DOCUMENTS

Re. 33,826	2/1992	Mitchell	359/398
D. 227,360	6/1973	Lou	D24/225
D. 235,785	7/1975	Cullister	D24/226
3,141,547	7/1964	Newby	206/1
3,572,892	3/1971	Metzgar et al.	350/95
3,725,004	4/1973	Johnson et al.	435/305.3 X
3,726,764	4/1973	White	195/127
3,726,767	4/1973	White	195/127
3,745,091	7/1973	McCormick	195/139

### DESCRIPTION

FIG. 1 is a top and front perspective view of the culture slide;  
FIG. 2 is a top plan view thereof;  
FIG. 3 is a front elevational view thereof;  
FIG. 4 is a side elevational view thereof;  
FIG. 5 is a back elevational view thereof; and,  
FIG. 6 is a top and front perspective view of the unassembled culture slide.

1 Claim, 4 Drawing Sheets



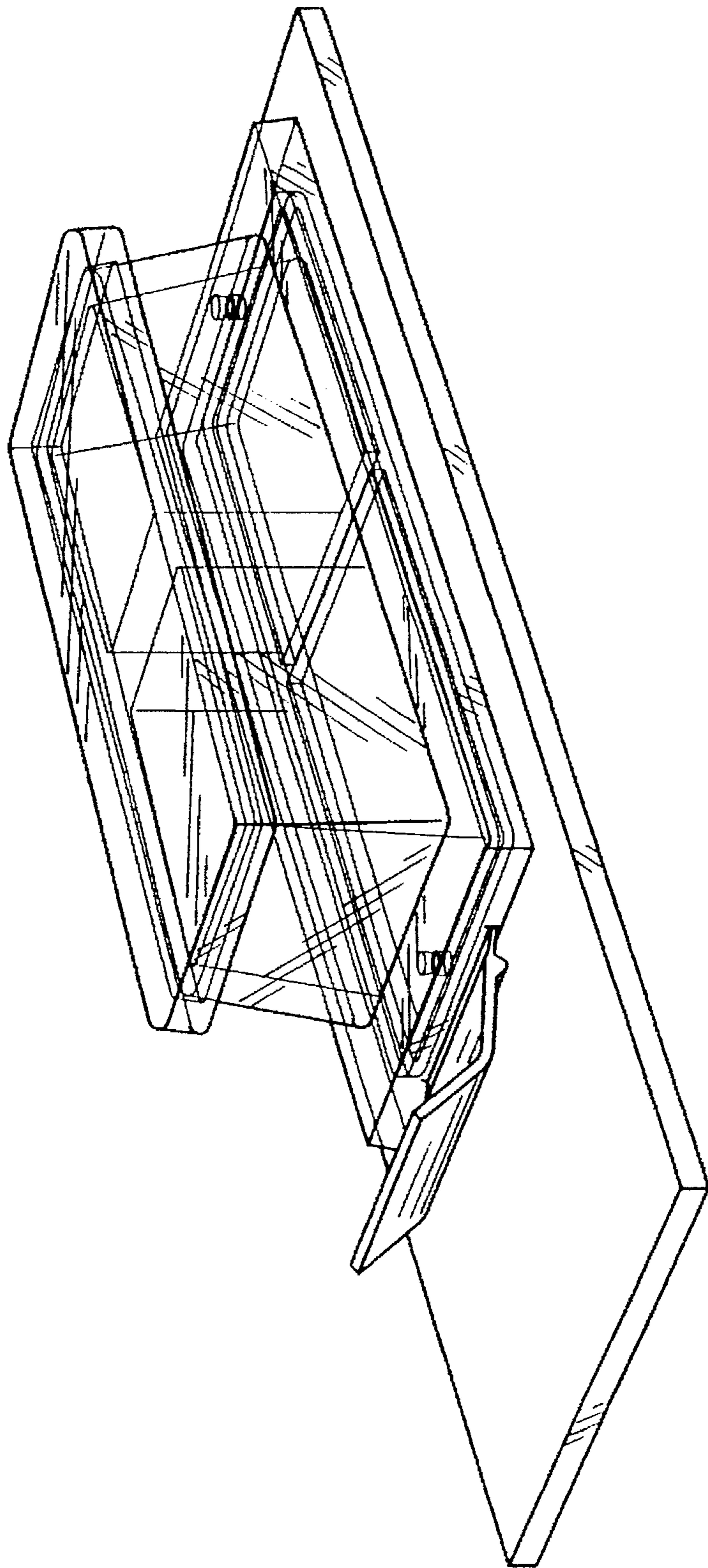


FIG-1

FIG-2

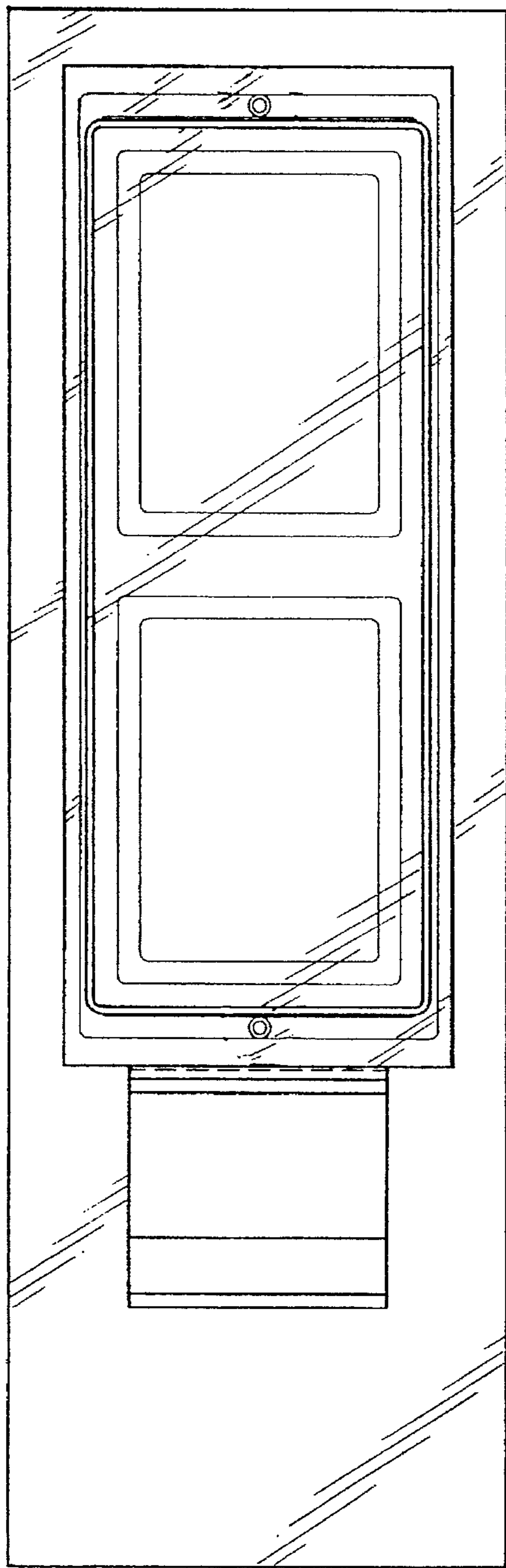


FIG-3

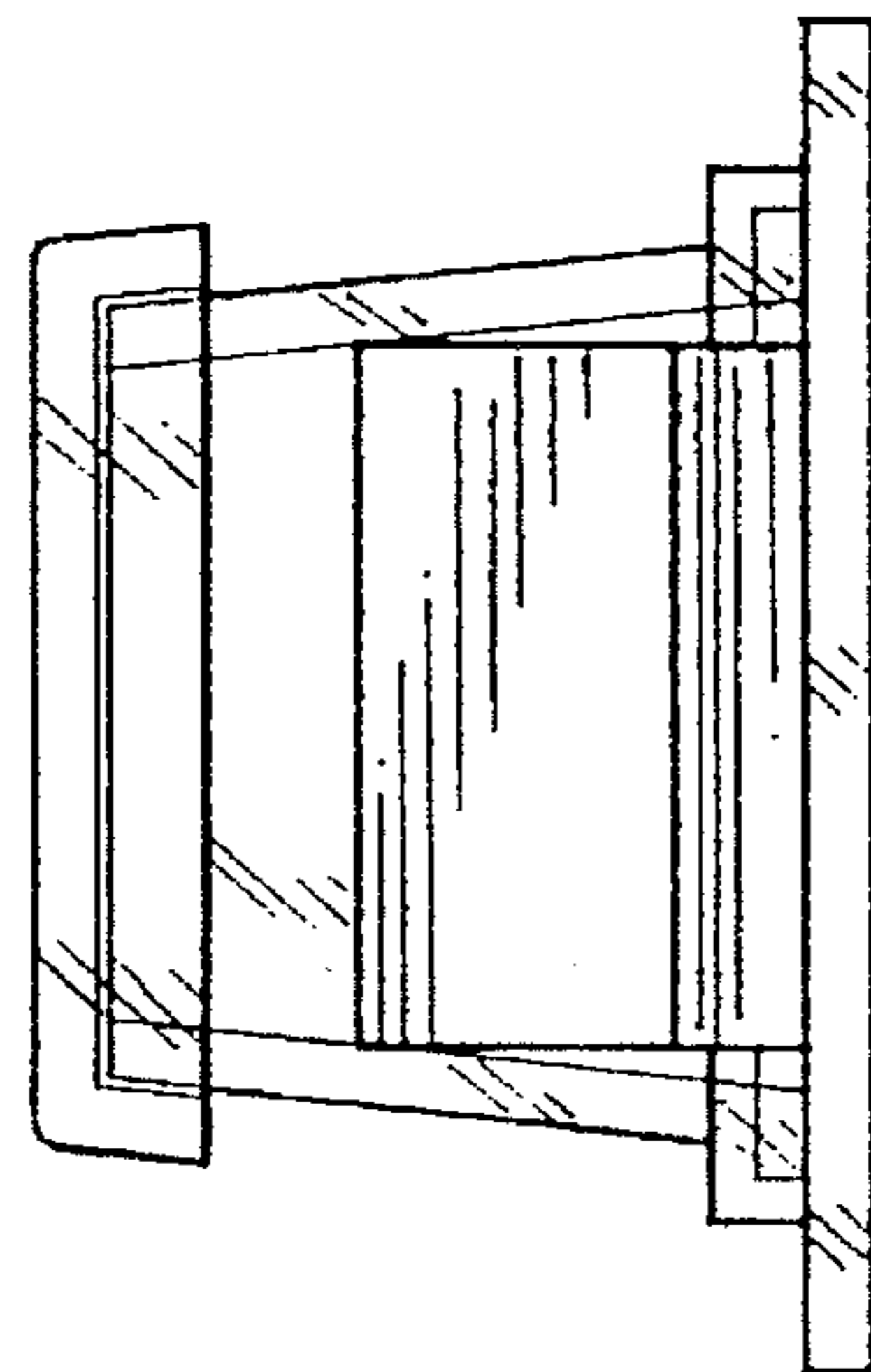


FIG-4

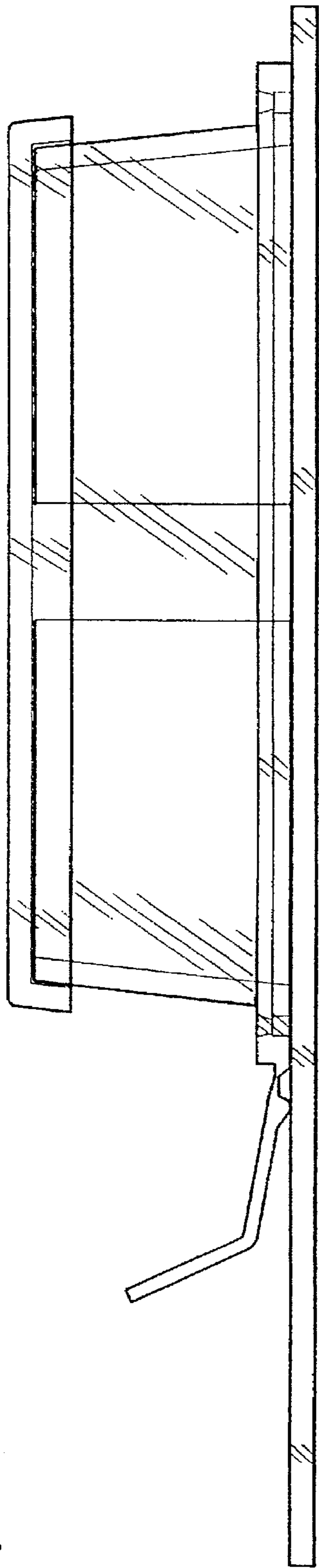
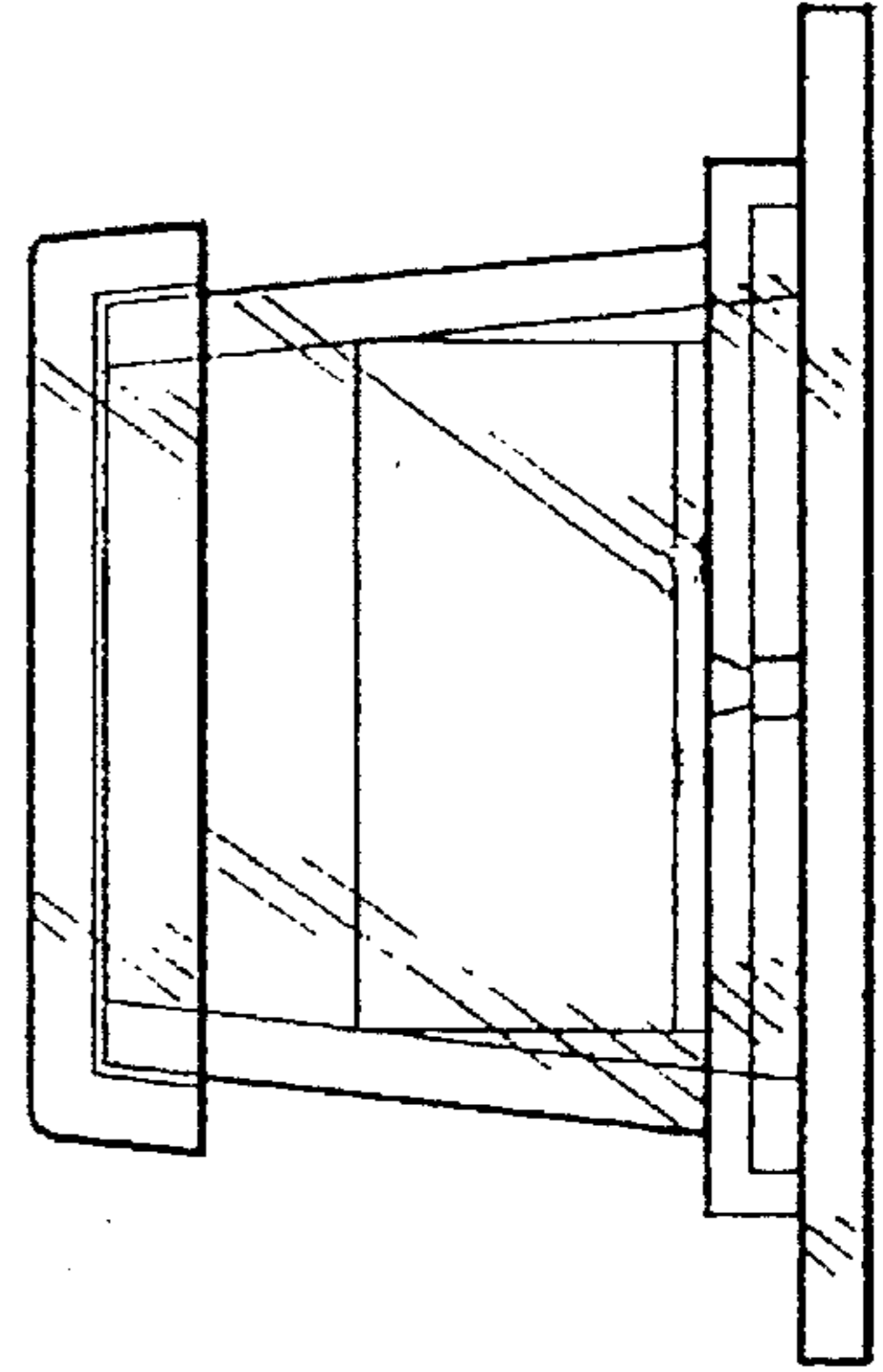


FIG-5



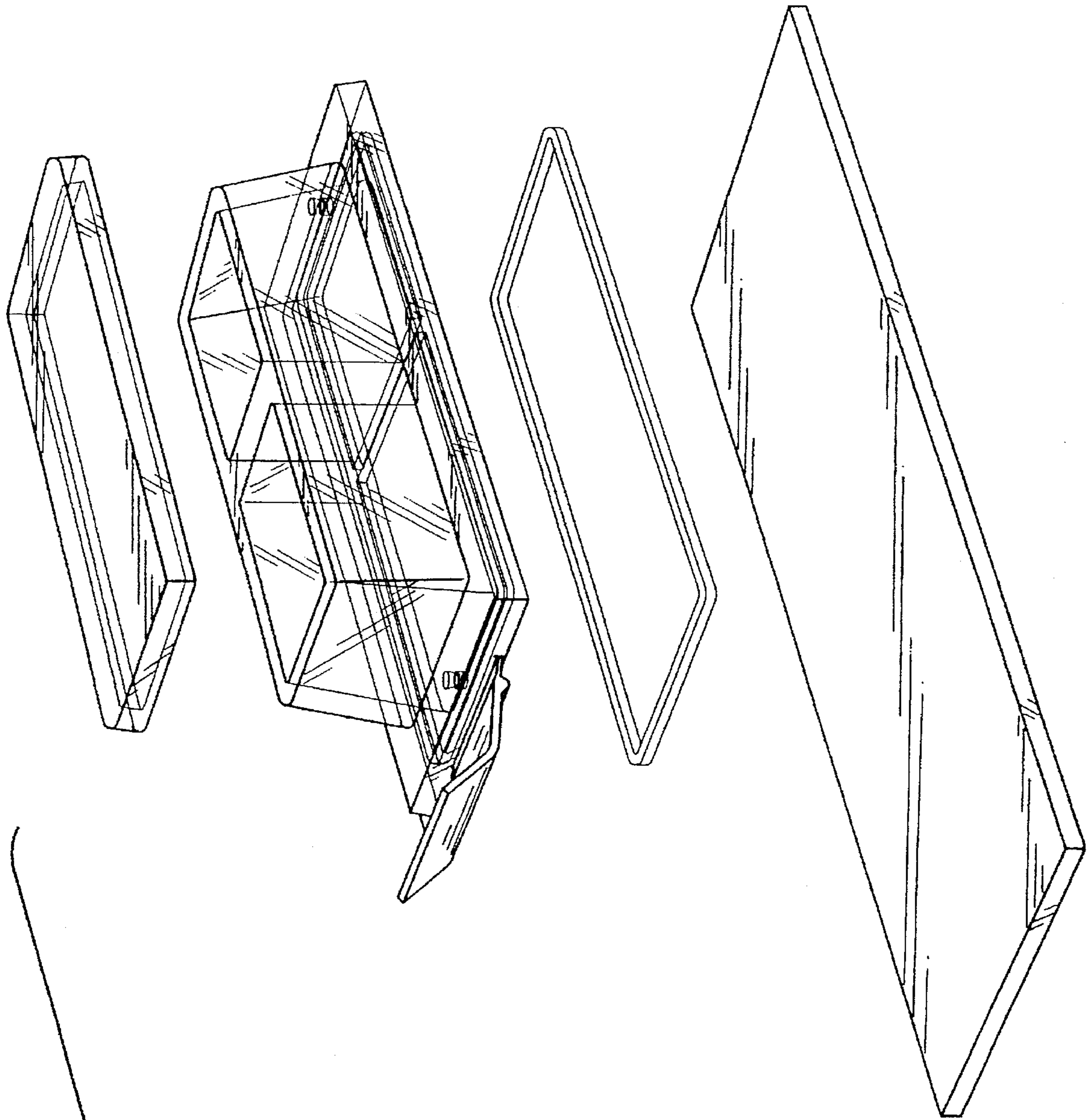


FIG-6