



US00D382061S

# United States Patent [19]

[11] Patent Number: **Des. 382,061**

Mathis et al.

[45] Date of Patent: **\*\*Aug. 5, 1997**

[54] **FLUID BOTTLE**

[75] Inventors: **Scott E. Mathis**, Bay Village; **Scott C. Lewis**, Amherst, both of Ohio

[73] Assignee: **Chiron Diagnostics Corporation**, Walpole, Mass.

[\*\*] Term: **14 Years**

[21] Appl. No.: **41,342**

[22] Filed: **Jul. 12, 1995**

[51] LOC (6) Cl. .... **24-02**

[52] U.S. Cl. .... **D24/224; D9/523; D24/121**

[58] Field of Search ..... **D24/224, 121; D9/523, 372, 542, 520, 327, 378; 422/100, 102; 141/94**

[56] **References Cited**

**U.S. PATENT DOCUMENTS**

D. 287,638	1/1987	Moore et al.	.....	D24/224
D. 296,668	7/1988	Stavish	.....	D24/224 X
D. 309,080	7/1990	Buchholz	.....	D9/375
D. 341,204	11/1993	Hansen et al.	.....	D24/224
D. 358,660	5/1995	Swift	.....	D24/224
D. 359,361	6/1995	Swift	.....	D24/224

*Primary Examiner*—Louis S. Zarfaz  
*Assistant Examiner*—I. Simmons  
*Attorney, Agent, or Firm*—Judith A. Roesler; Robert P. Blackburn

[57] **CLAIM**

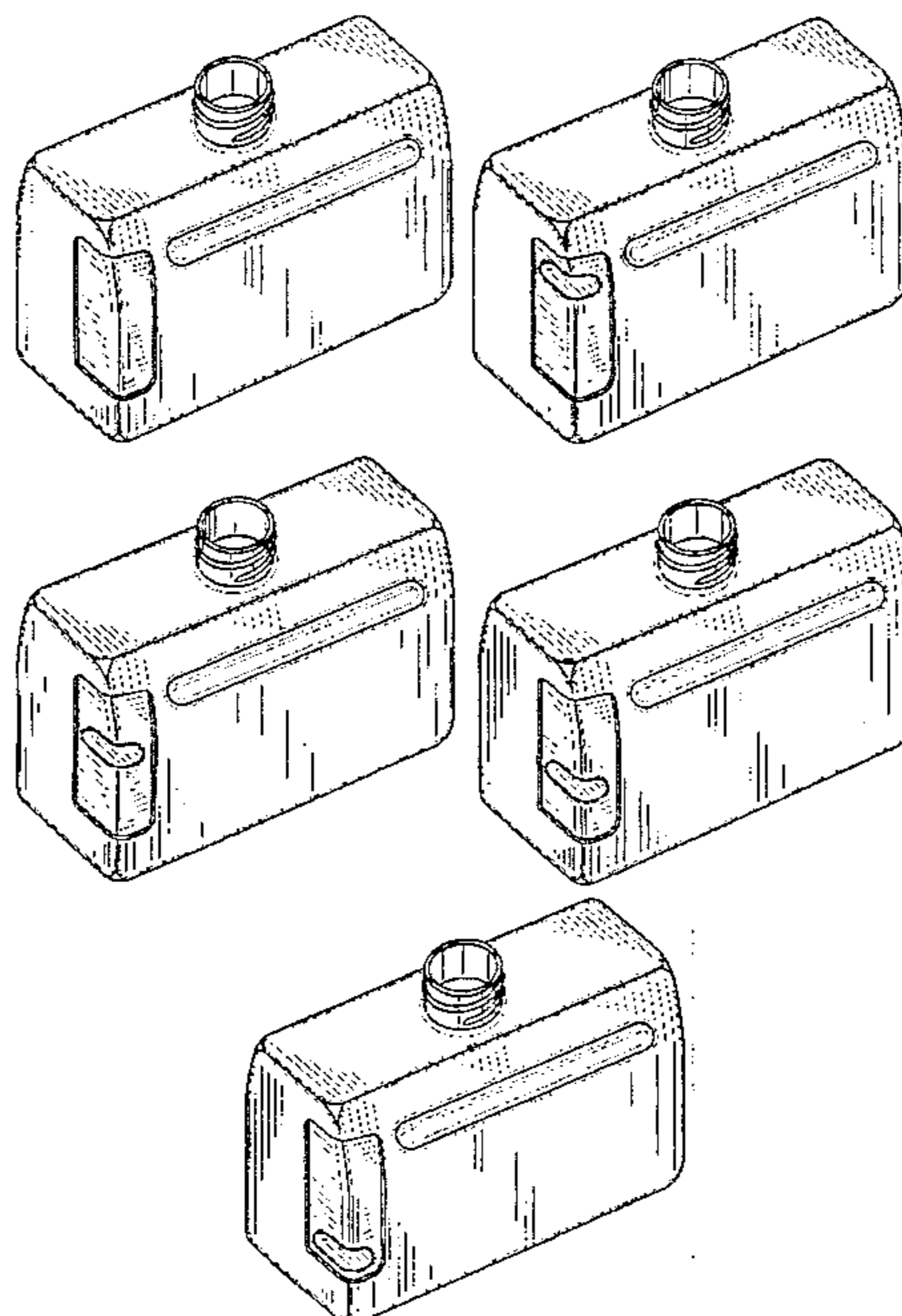
The ornamental design for a fluid bottle, as shown and described.

**DESCRIPTION**

FIG. 1 is a perspective view of a fluid bottle showing our new design;

FIG. 2 is a top plan view;  
 FIG. 3 is a left side elevational view;  
 FIG. 4 is a bottom plan view;  
 FIG. 5 is a right side elevational view;  
 FIG. 6 is a front elevational view;  
 FIG. 7 is a rear elevational view;  
 FIG. 8 is a perspective view of a second embodiment as seen from the top, rear and left side;  
 FIG. 9 is a left side elevational view of FIG. 8;  
 FIG. 10 is a rear elevational view thereof, the top, bottom, right side and front views are identical to those shown in the FIGS. 2, 4, 5 and 6;  
 FIG. 11 is a perspective view of a third embodiment as seen from the top, rear and left side;  
 FIG. 12 is a left side elevational view of FIG. 9;  
 FIG. 13 is a rear elevational view thereof, the top, bottom, right side and front views are identical to those shown in the FIGS. 2, 4, 5 and 6;  
 FIG. 14 is a perspective view of a fourth embodiment as seen from the top, rear and left side;  
 FIG. 15 is a left side elevational view of FIG. 10;  
 FIG. 16 is a rear elevational view thereof, the top, bottom, right side and front views are identical to those shown in the FIGS. 2, 4, 5 and 6;  
 FIG. 17 is a perspective view of a fifth embodiment as seen from the top, rear and left side;  
 FIG. 18 is a left side elevational view of FIG. 11; and,  
 FIG. 19 is a rear elevational view thereof, the top, bottom, right side and front views are identical to those shown in the FIGS. 2, 4, 5 and 6.

**1 Claim, 11 Drawing Sheets**



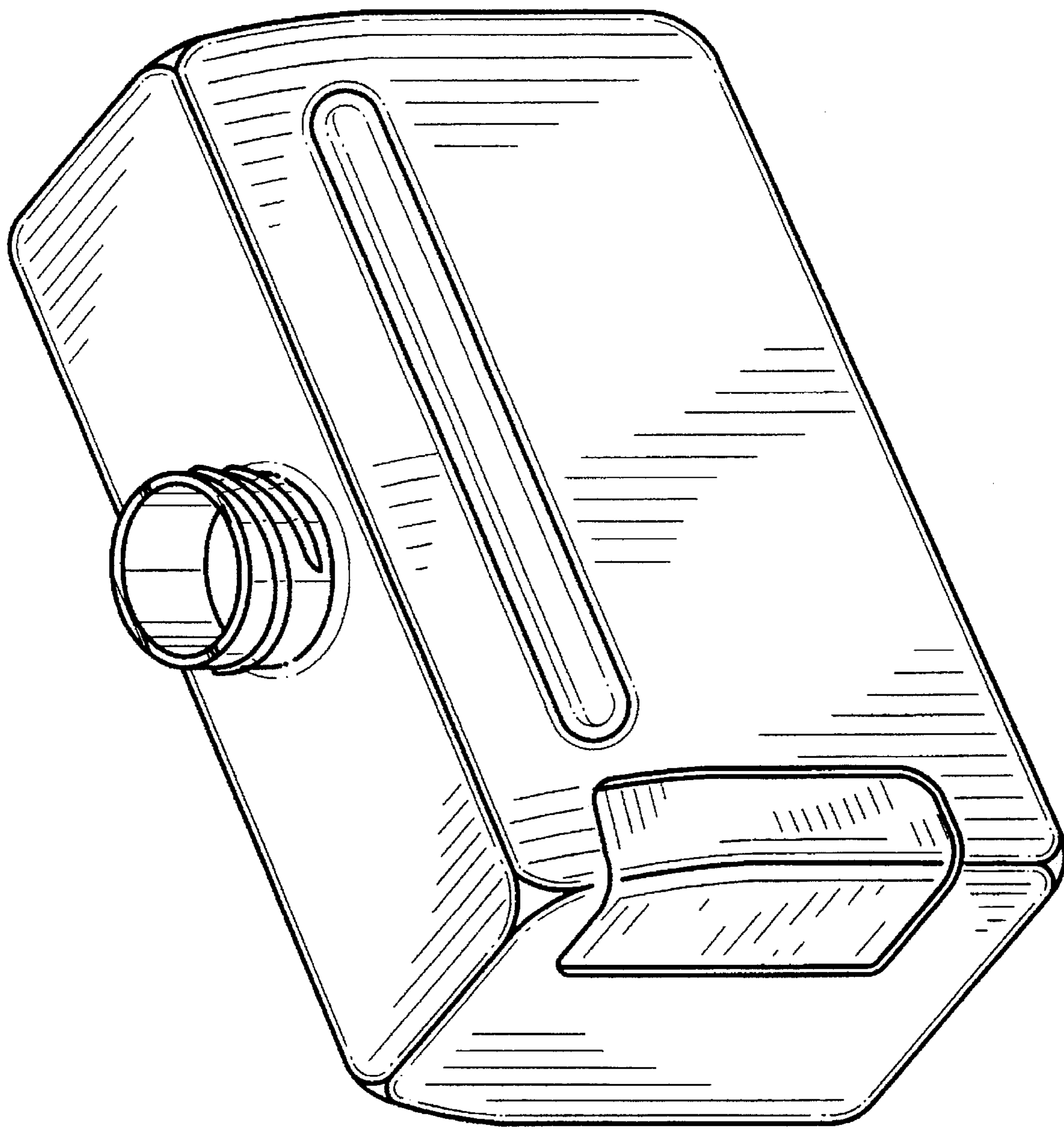


Fig. 1

Fig. 2

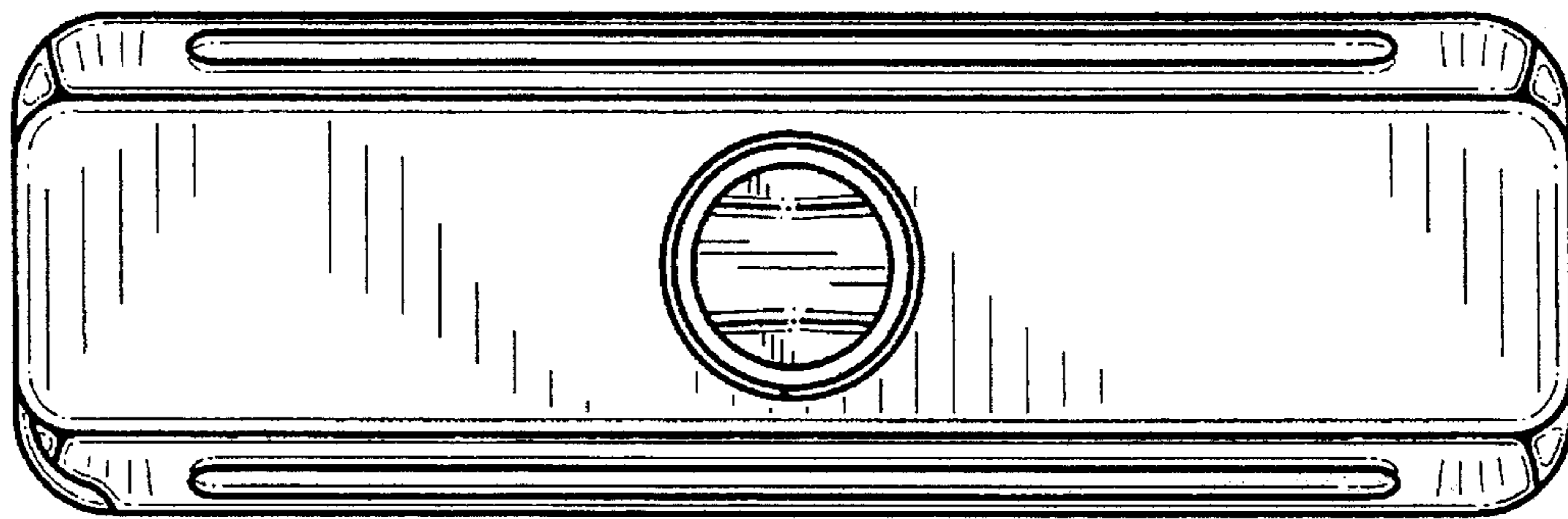


Fig. 3

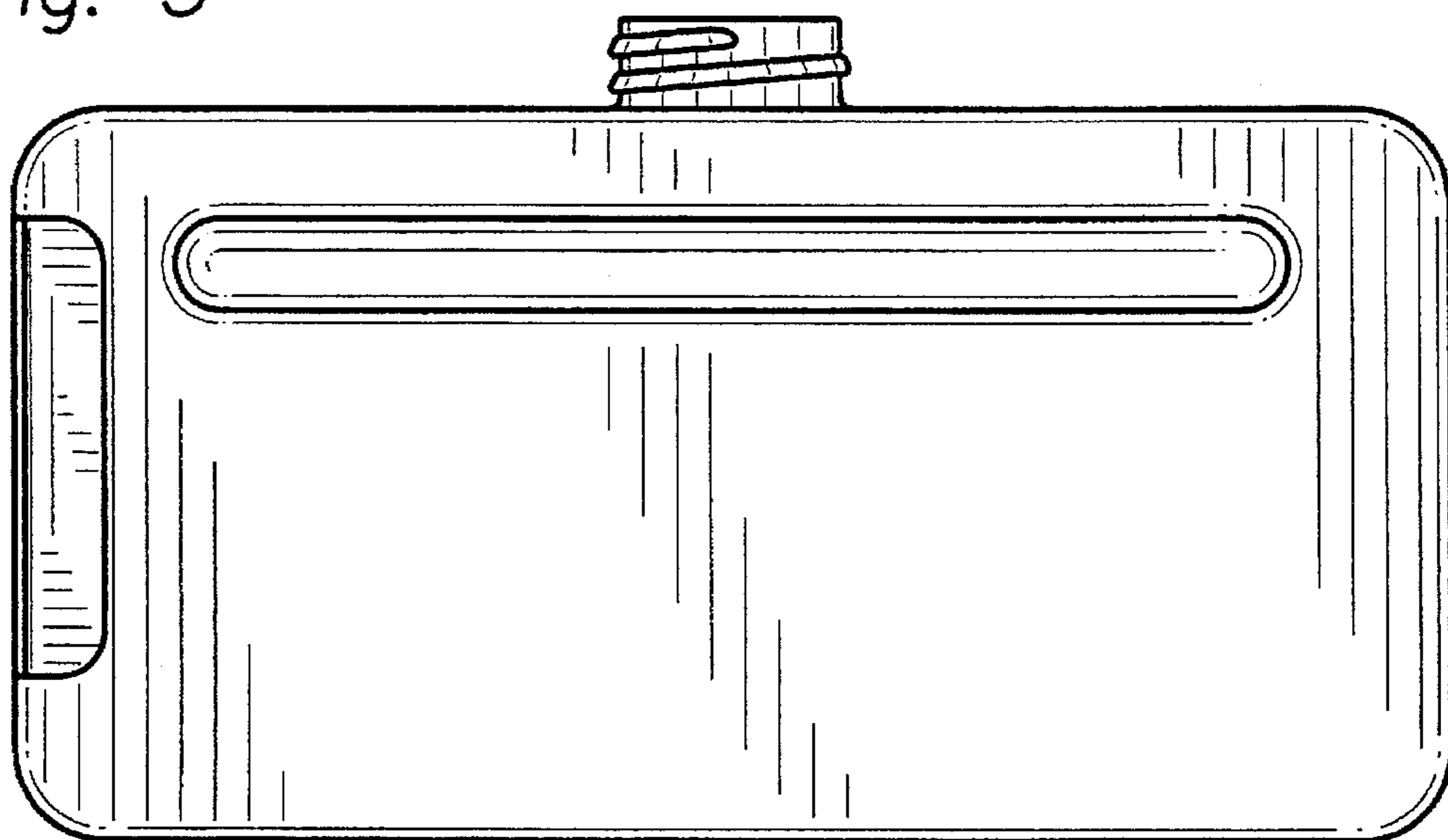


Fig. 4

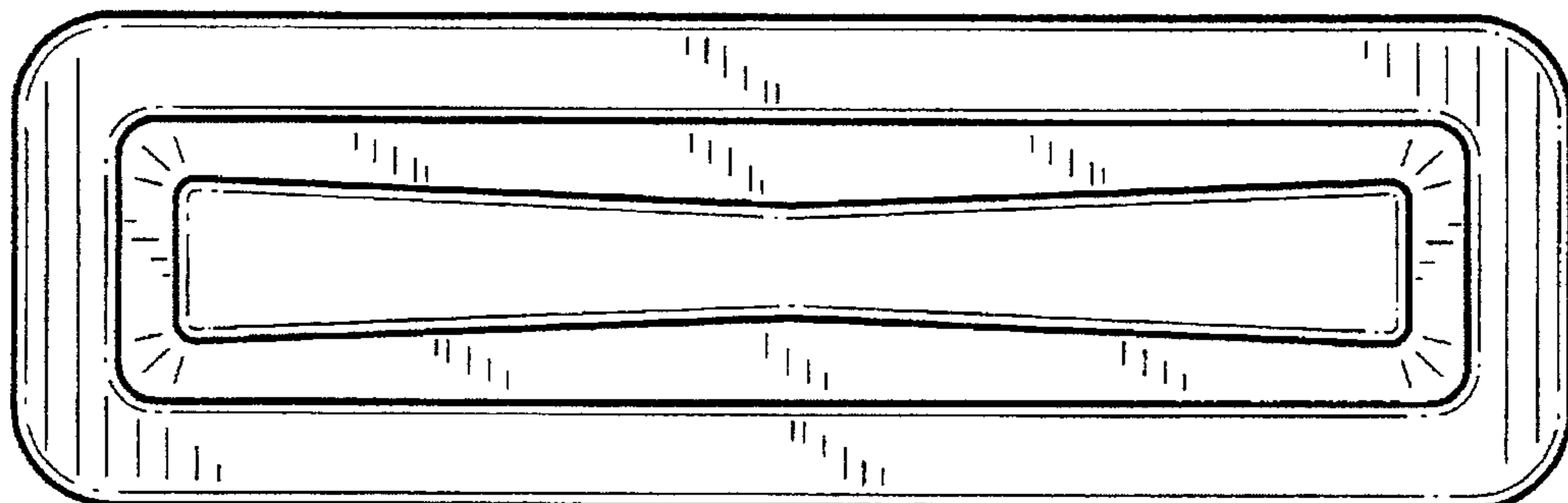


Fig. 5

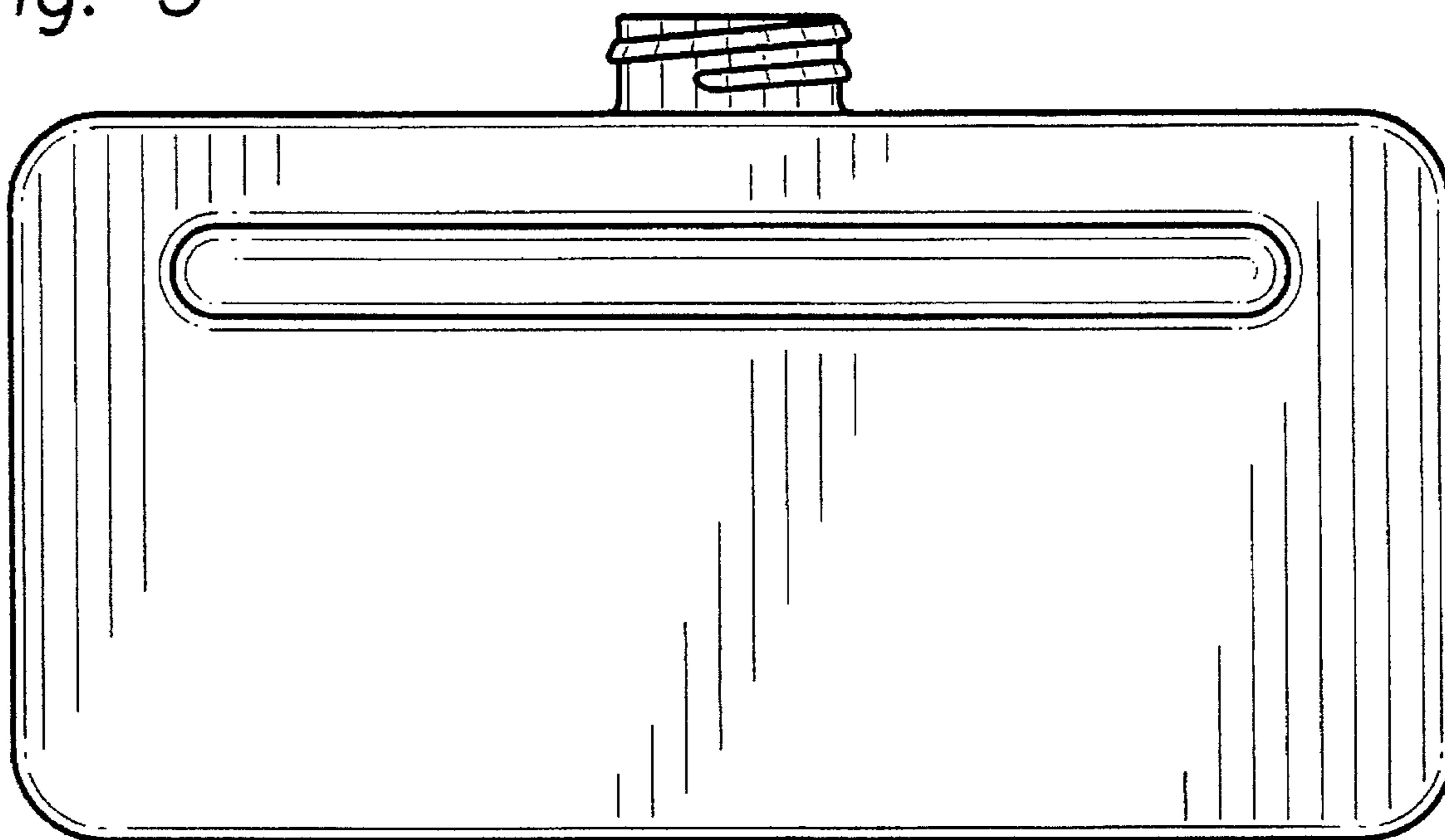


Fig. 6

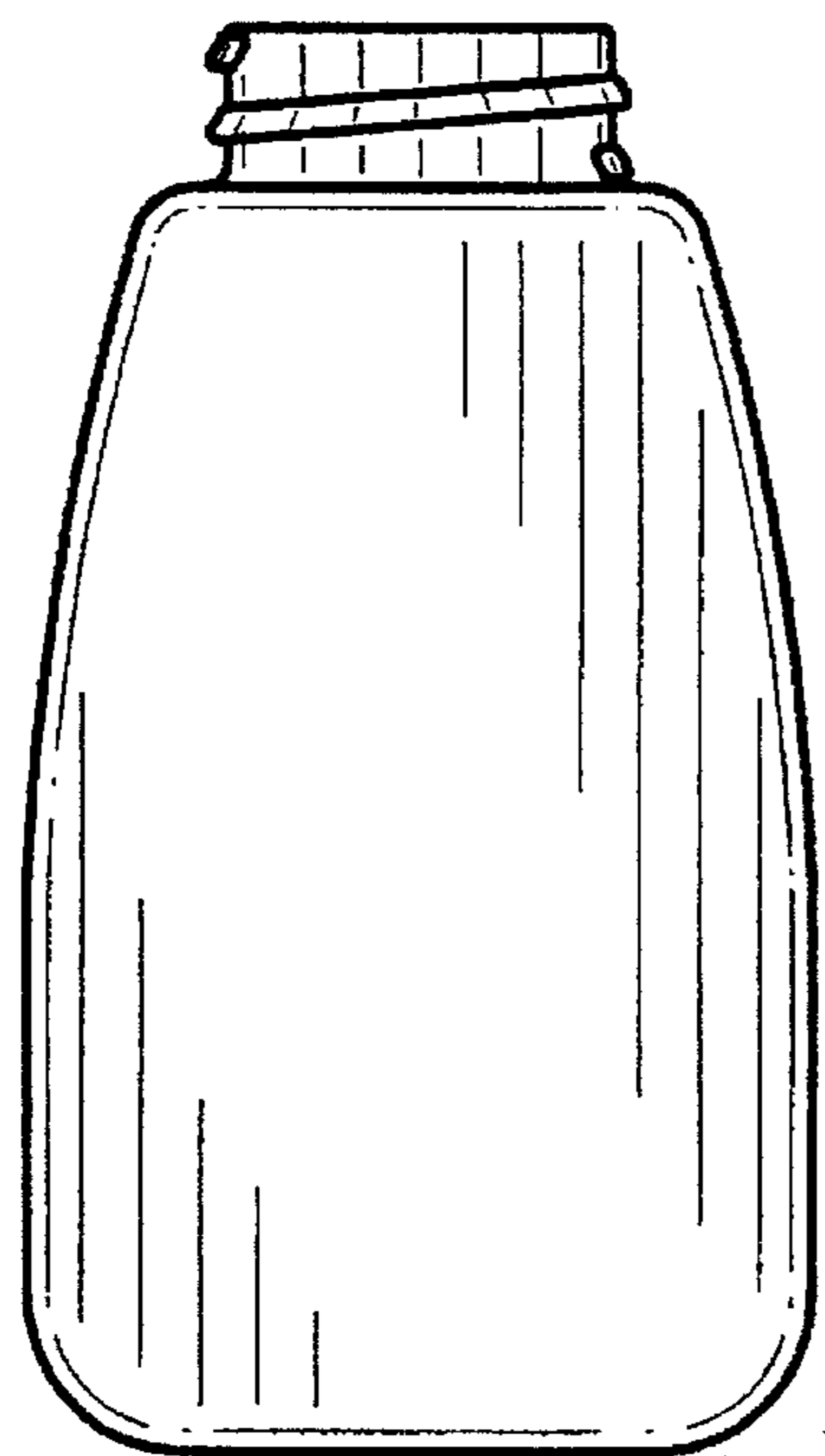
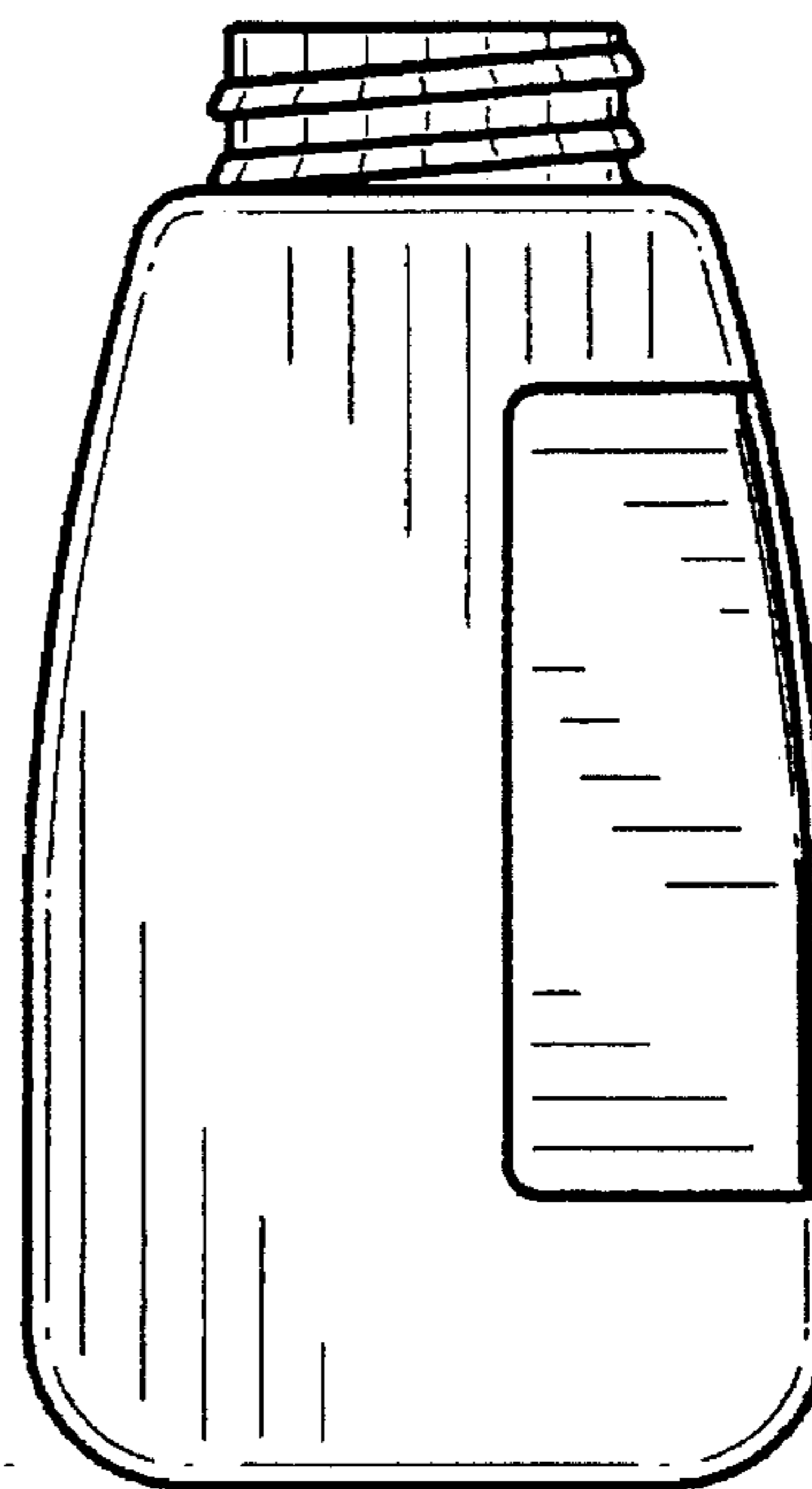


Fig. 7



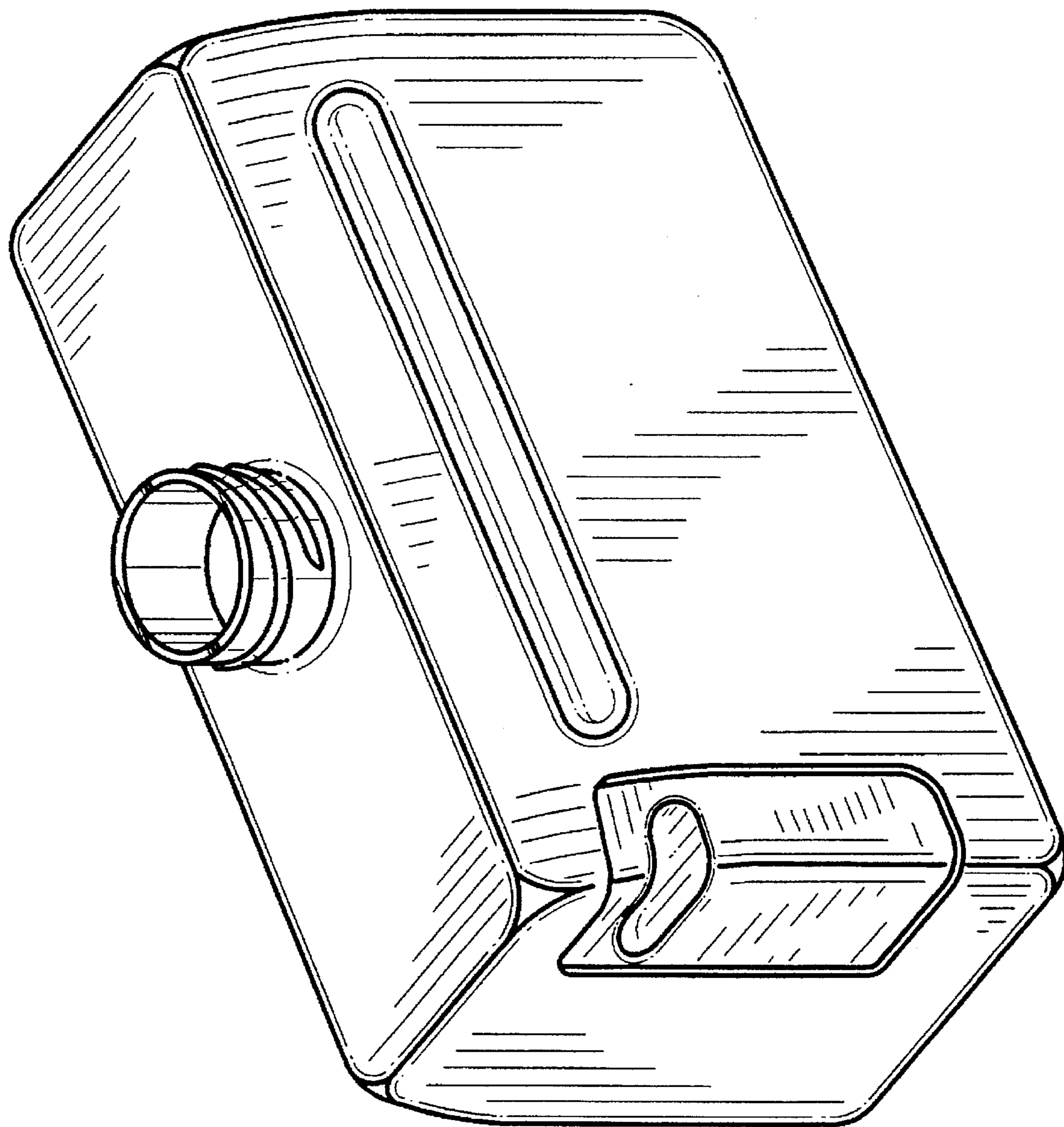


Fig. 8

Fig. 9

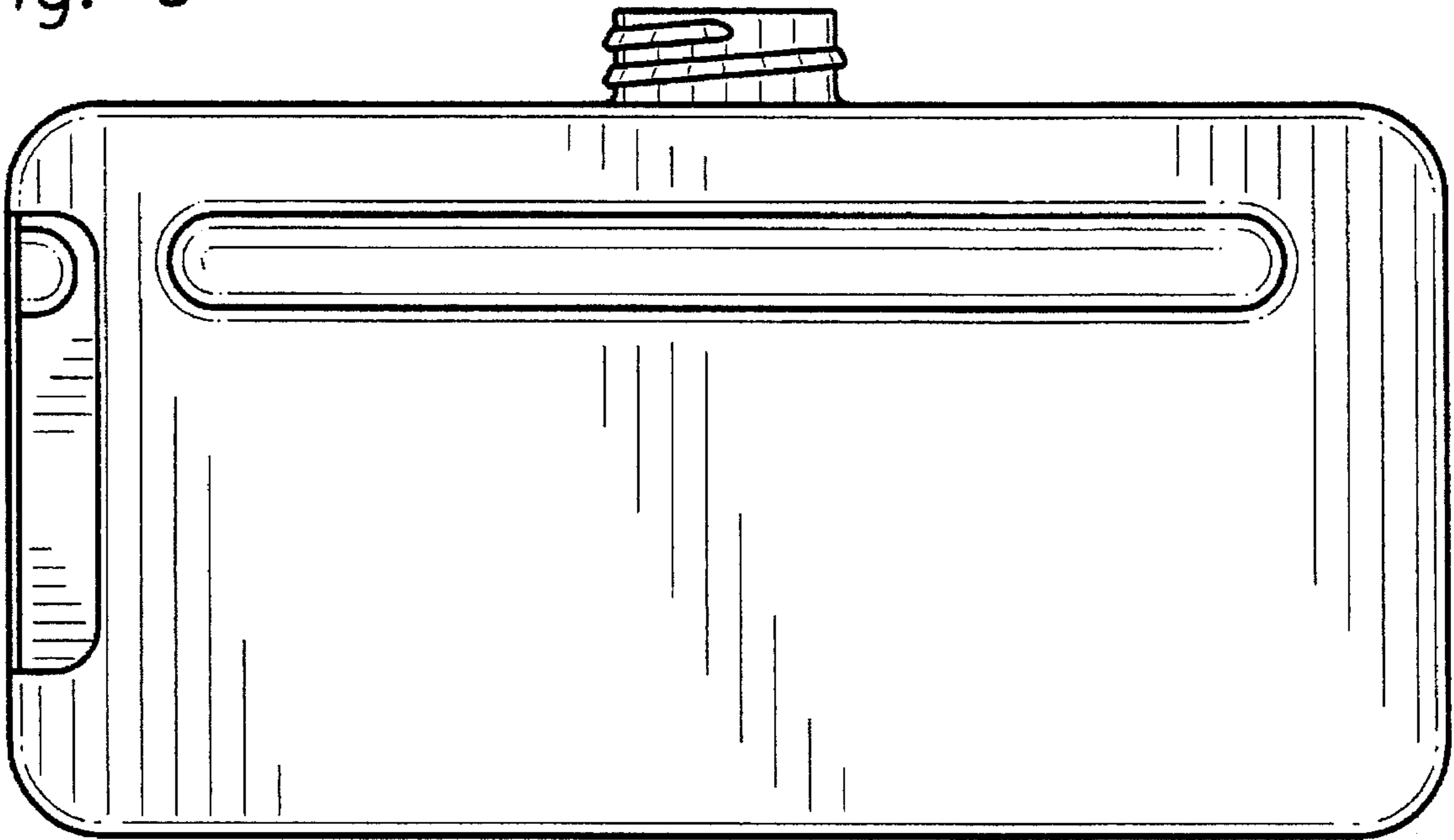
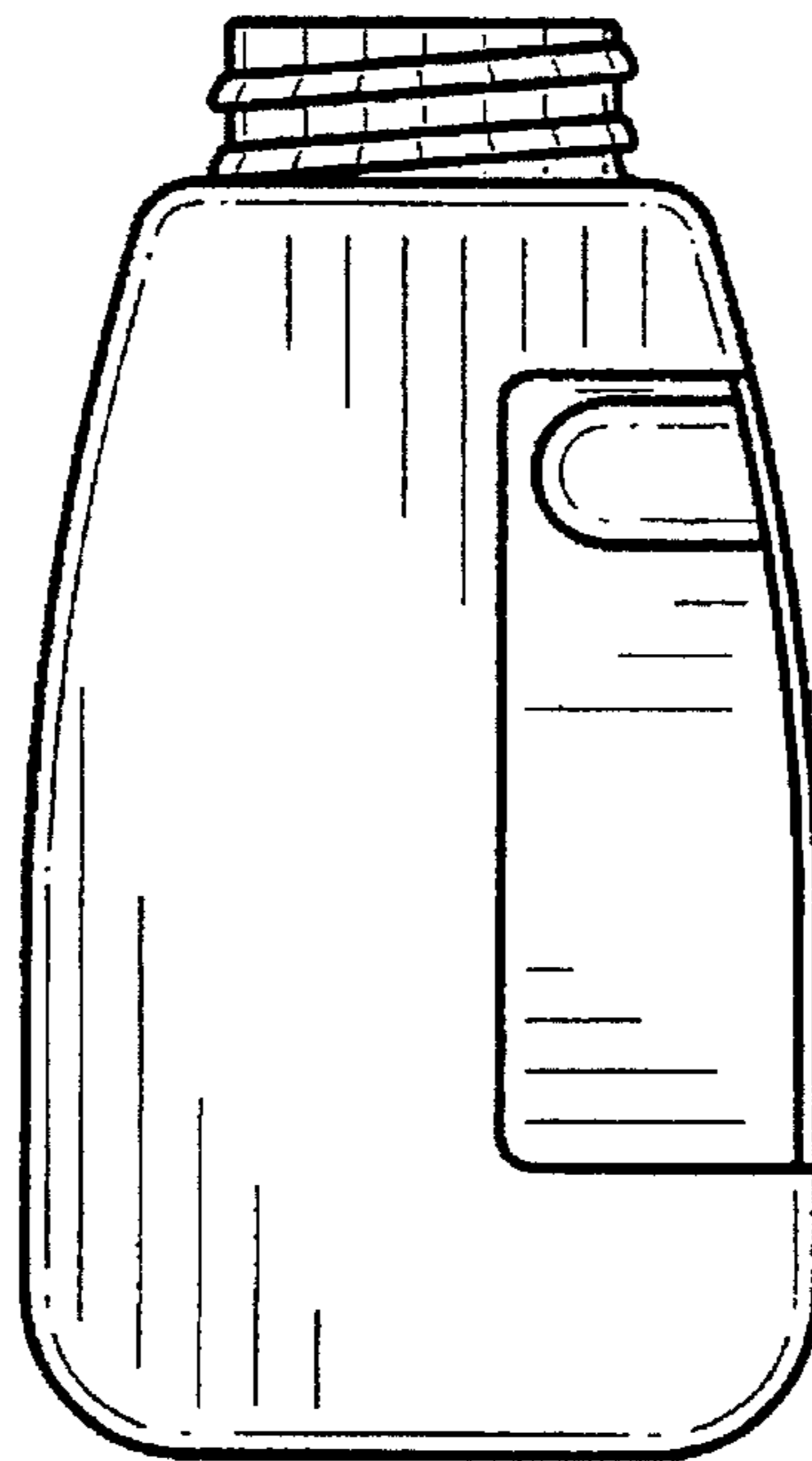


Fig. 10



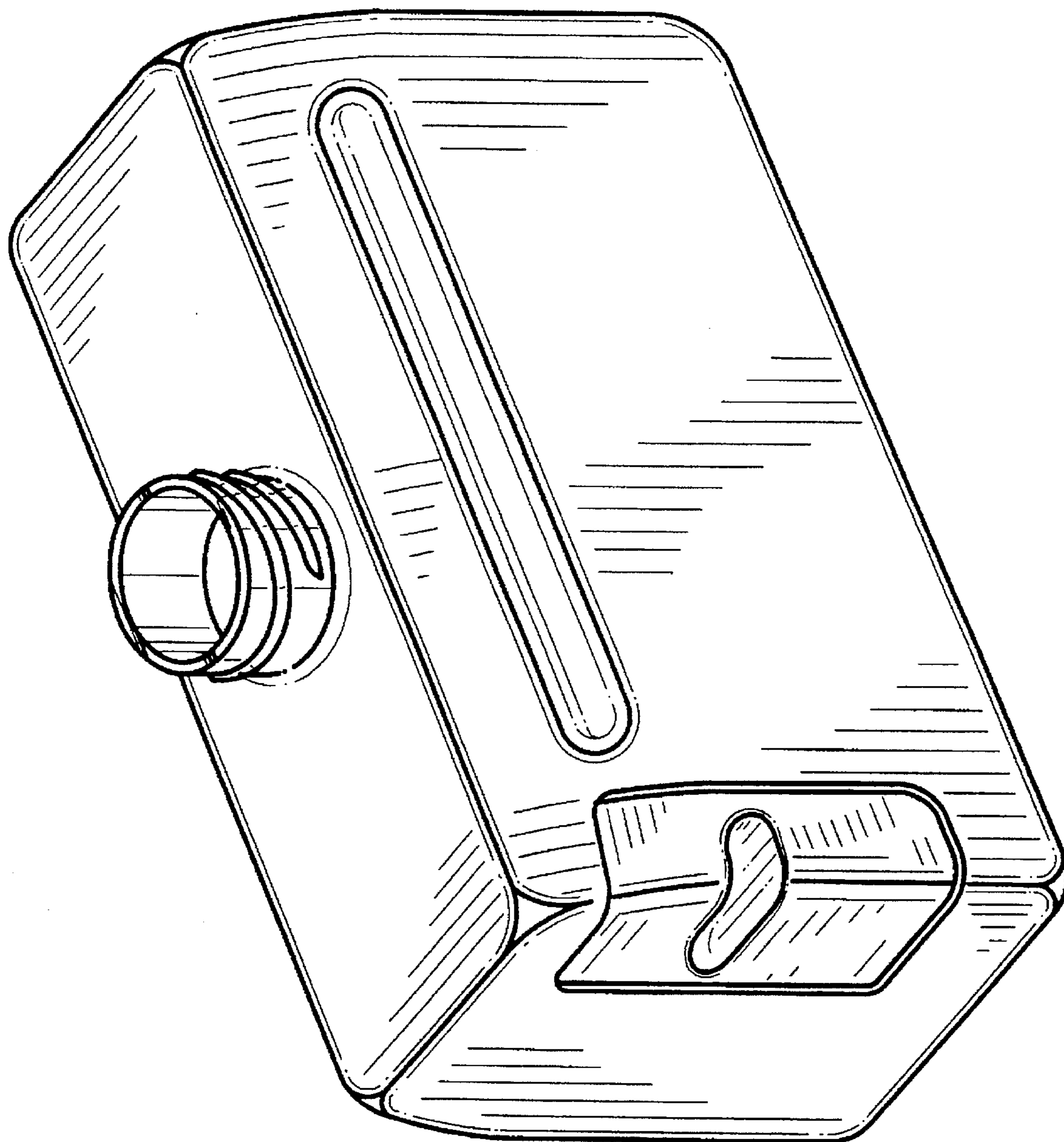


Fig. 11

Fig. 12

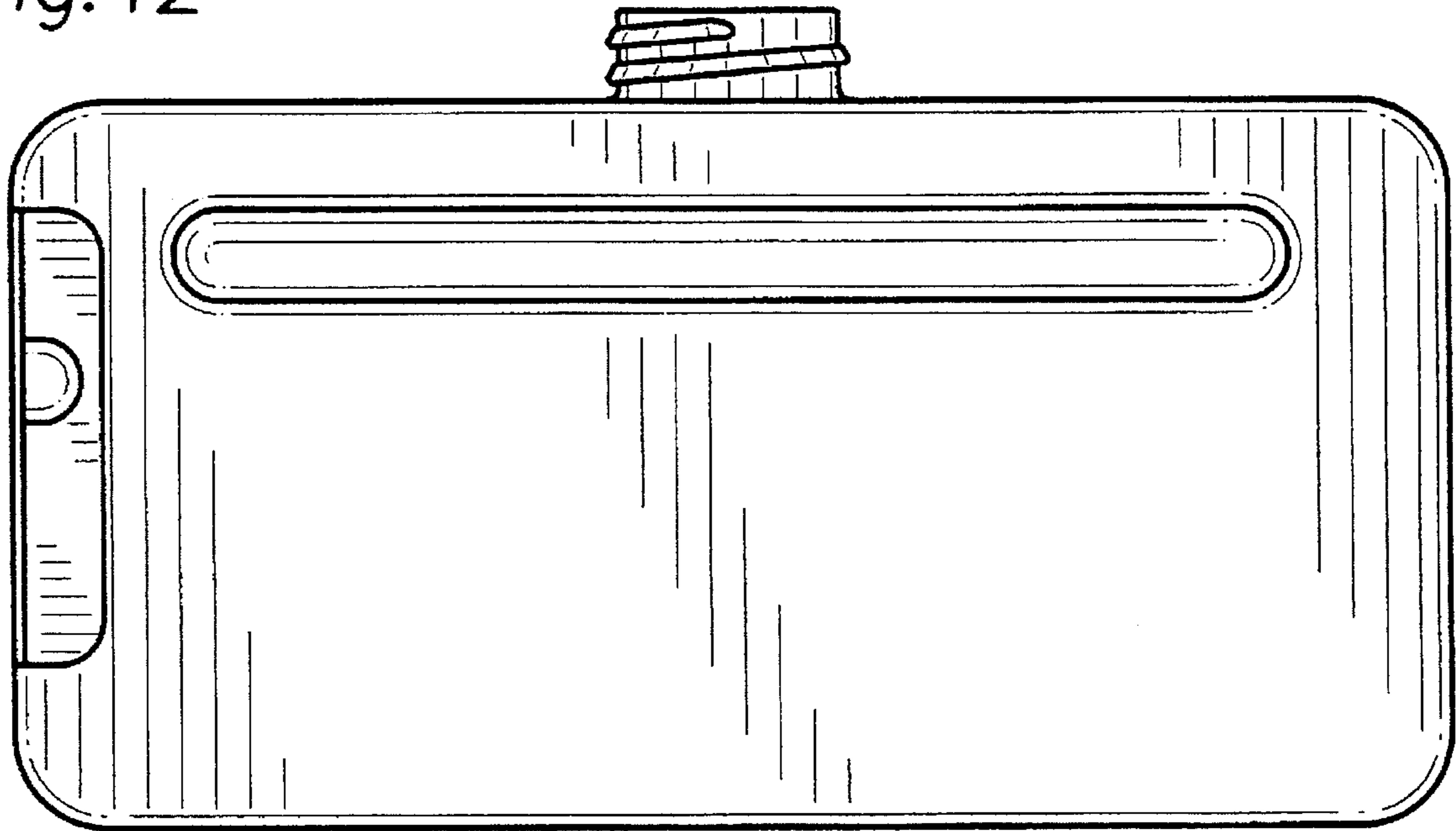
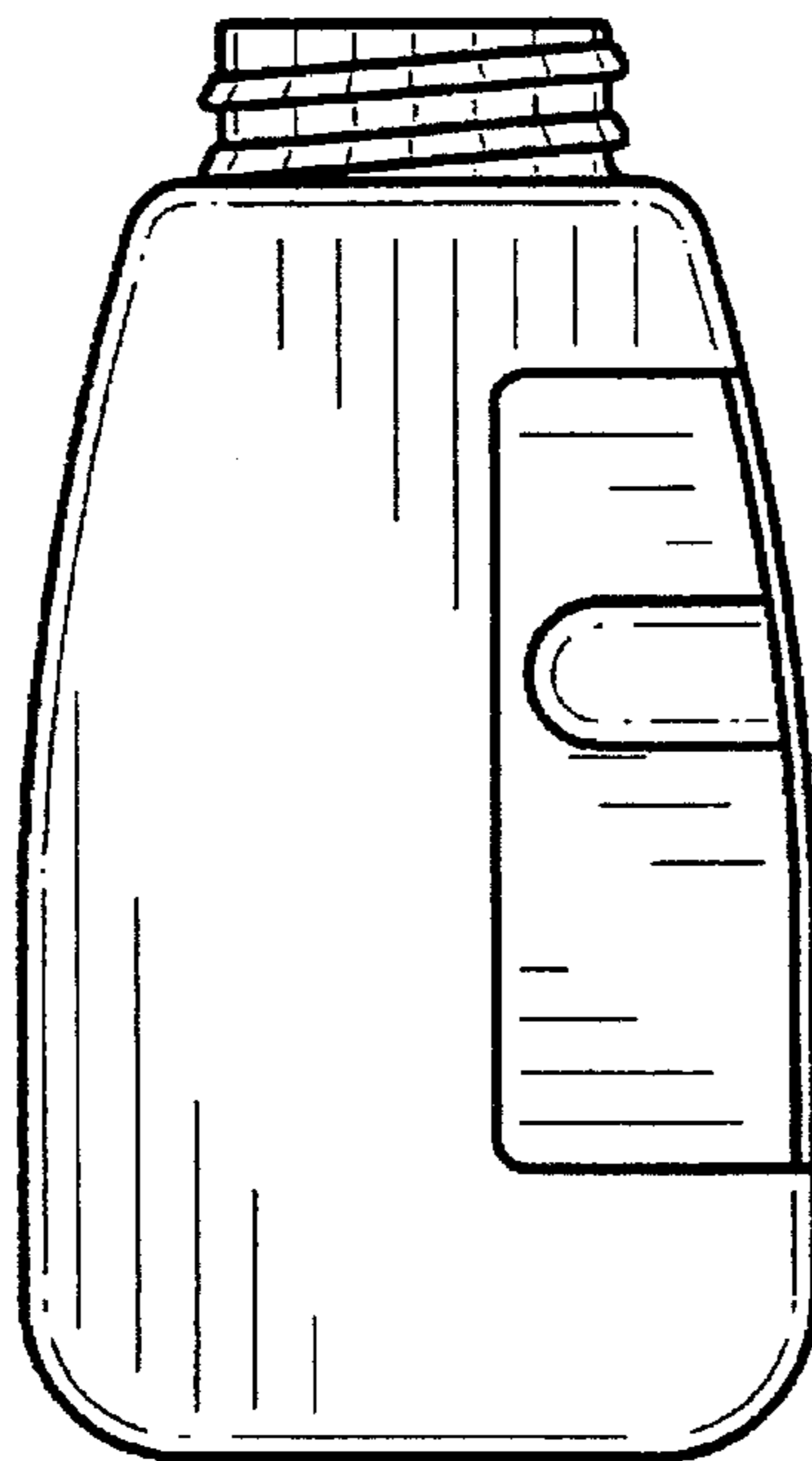


Fig. 13





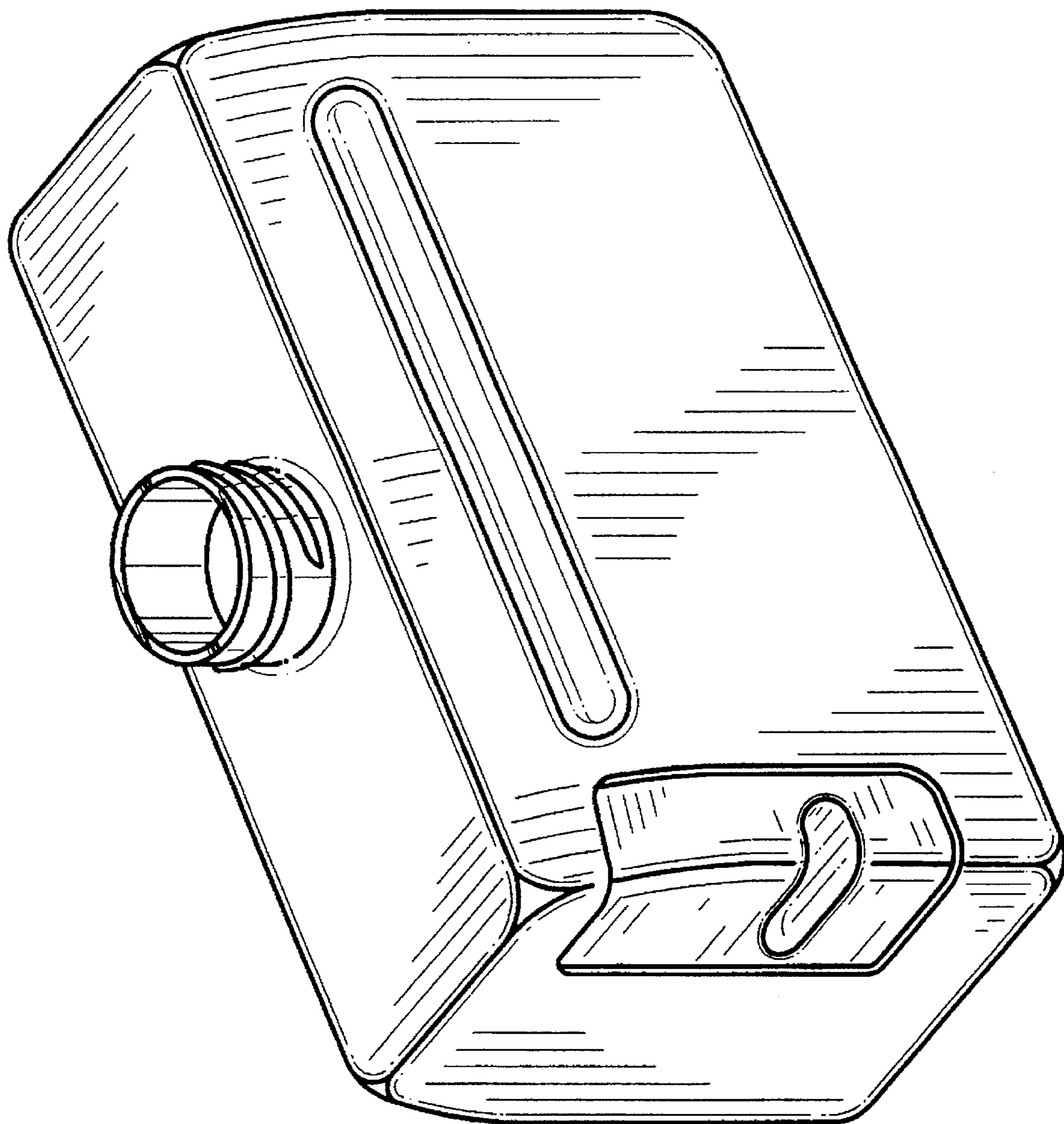


Fig. 14

Fig. 15

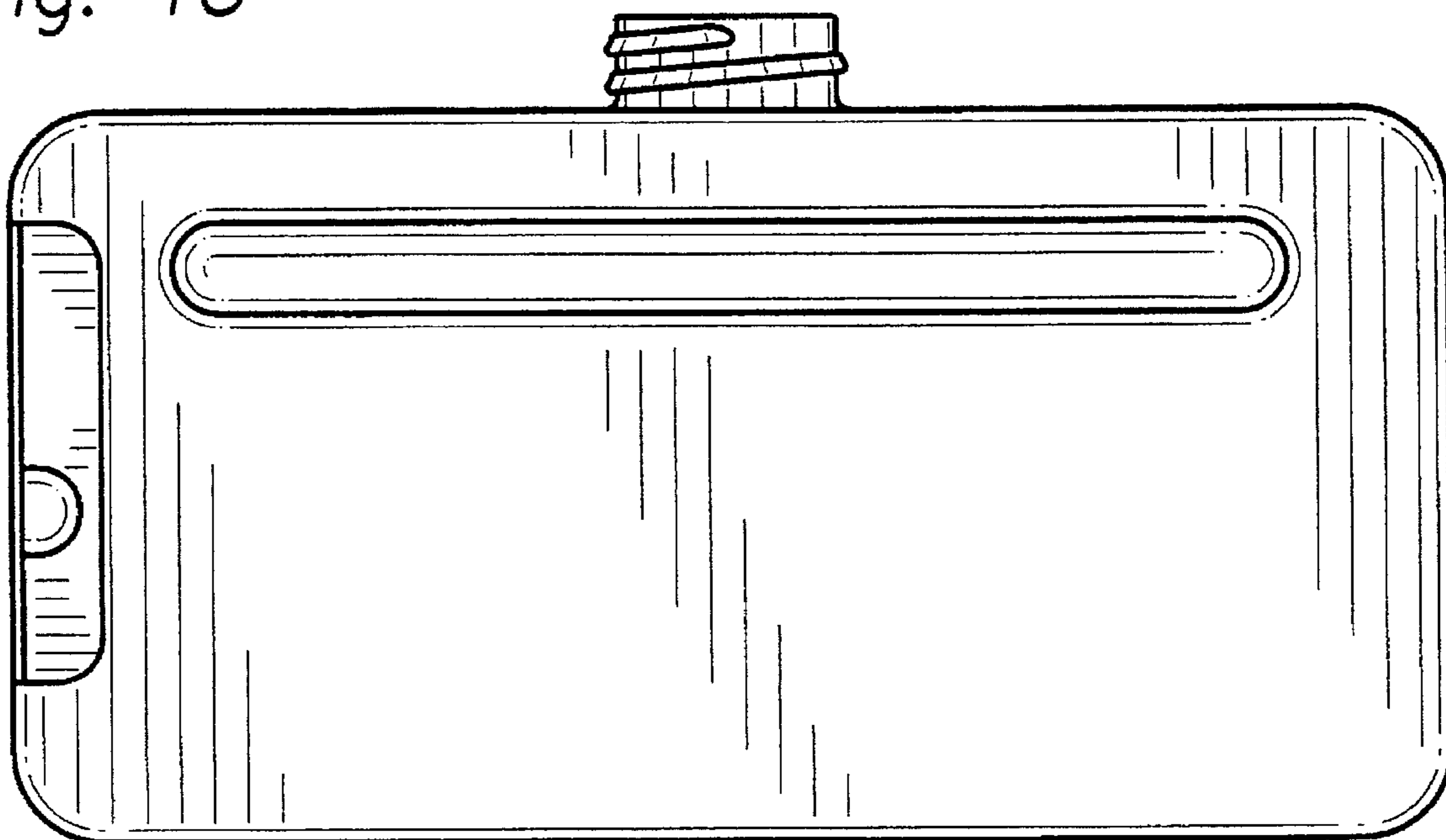
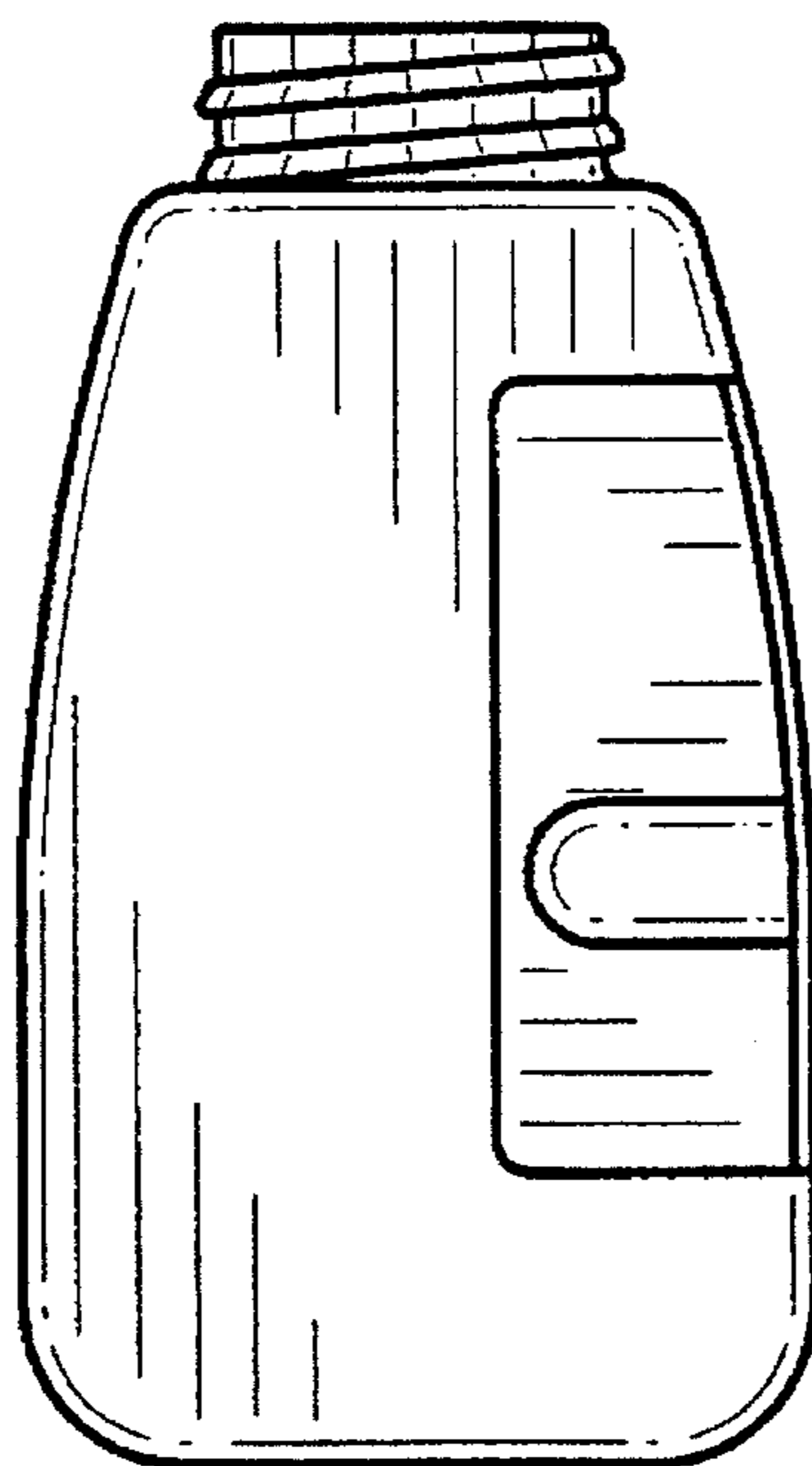


Fig. 16



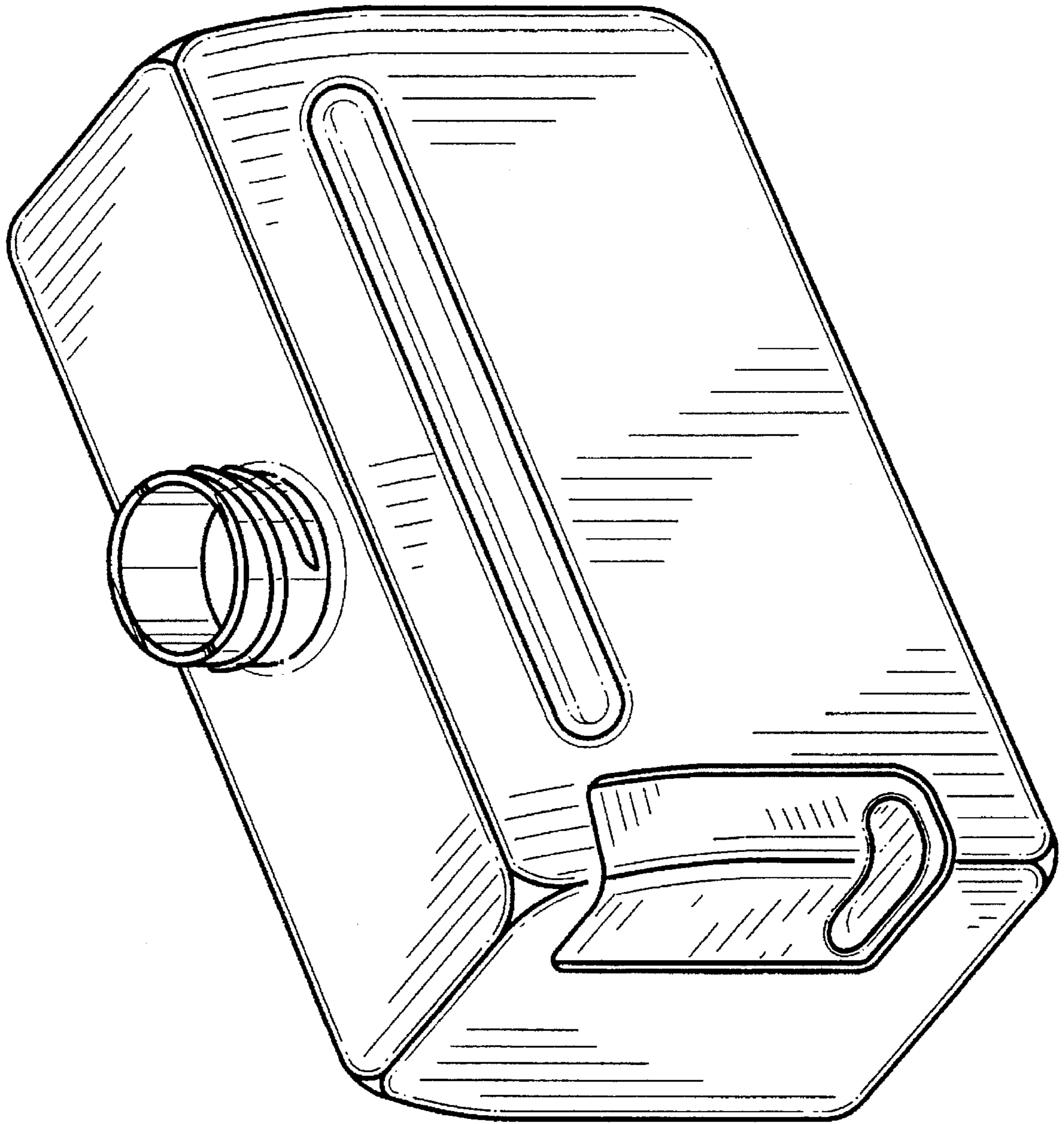


Fig. 17

Fig. 18

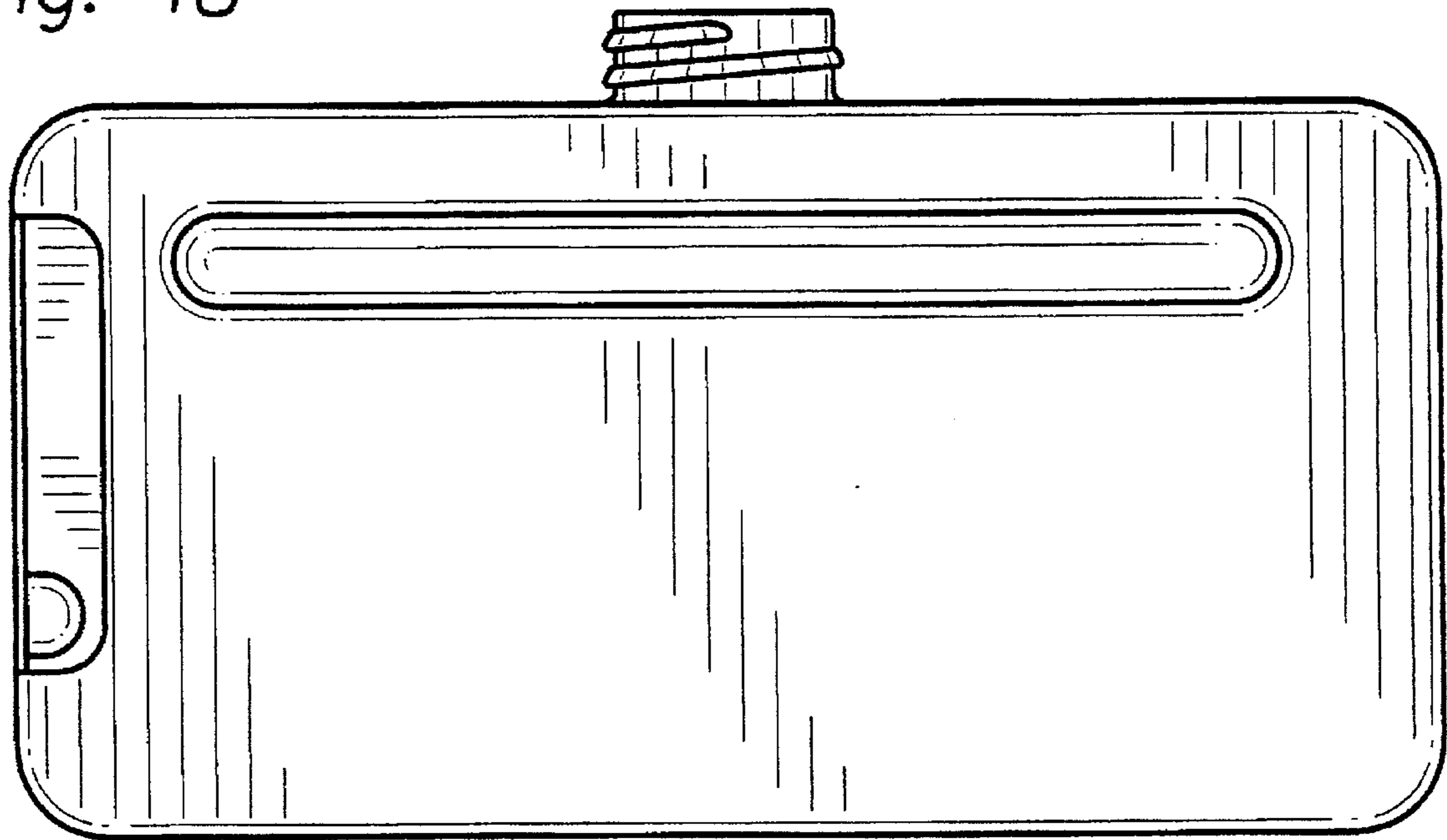


Fig. 19

