



US00D382059S

# United States Patent [19]

[11] Patent Number: **Des. 382,059**

Maya et al.

[45] Date of Patent: **\*\*Aug. 5, 1997**

[54] **BABY BOTTLE NIPPLE**

D. 330,938 11/1992 Sakashita ..... D24/196  
D. 359,808 6/1995 Raghava ..... D24/196

[76] Inventors: **Campo E. Maya**, 1515 E. Wind St.;  
**John J. Maya**, 3224 Saint Augustine  
Ct., both of Kissimmee, Fla. 34746

*Primary Examiner*—Stella Reid  
*Attorney, Agent, or Firm*—William M. Hobby, III

[\*\*] Term: **14 Years**

### [57] CLAIM

The ornamental design for a baby bottle nipple, as shown.

[21] Appl. No.: **51,345**

### DESCRIPTION

[22] Filed: **Mar. 5, 1996**

[51] LOC (6) Cl. .... **24-04**

[52] U.S. Cl. .... **D24/196**

[58] Field of Search ..... D24/194, 193,  
D24/196; 215/11.1–11.6; 606/236

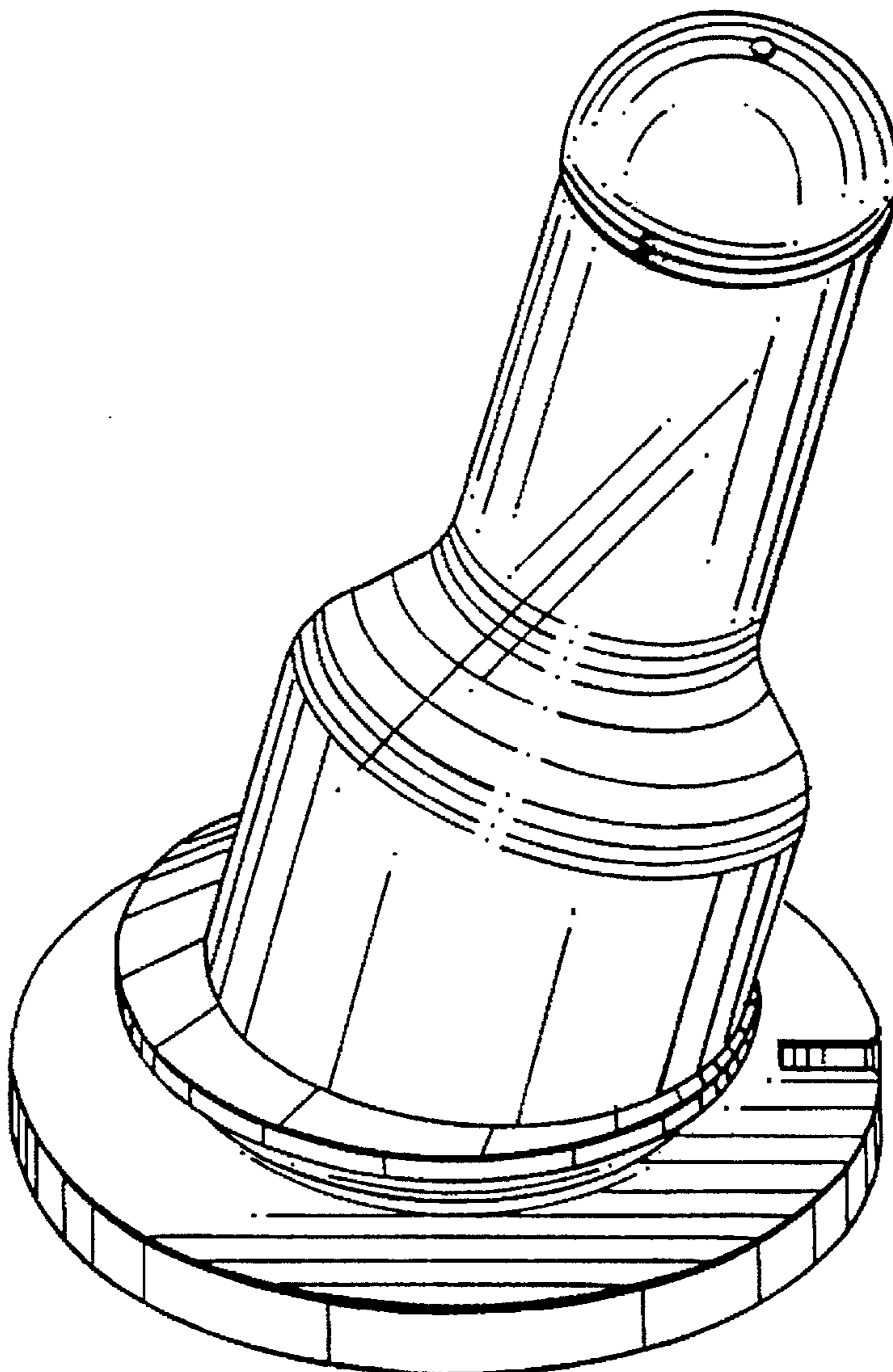
FIG. 1 is a top left side perspective view of my new baby  
bottle nipple design;  
FIG. 2 is a left side elevation;  
FIG. 3 is a bottom plan view;  
FIG. 4 is a top plan view;  
FIG. 5 is a rear elevation;  
FIG. 6 is a right side elevation; and,  
FIG. 7 is a front elevation.

### [56] References Cited

#### U.S. PATENT DOCUMENTS

D. 160,940 11/1950 Griesinger ..... D24/196  
D. 288,241 2/1987 Fuller ..... D24/196

**1 Claim, 1 Drawing Sheet**



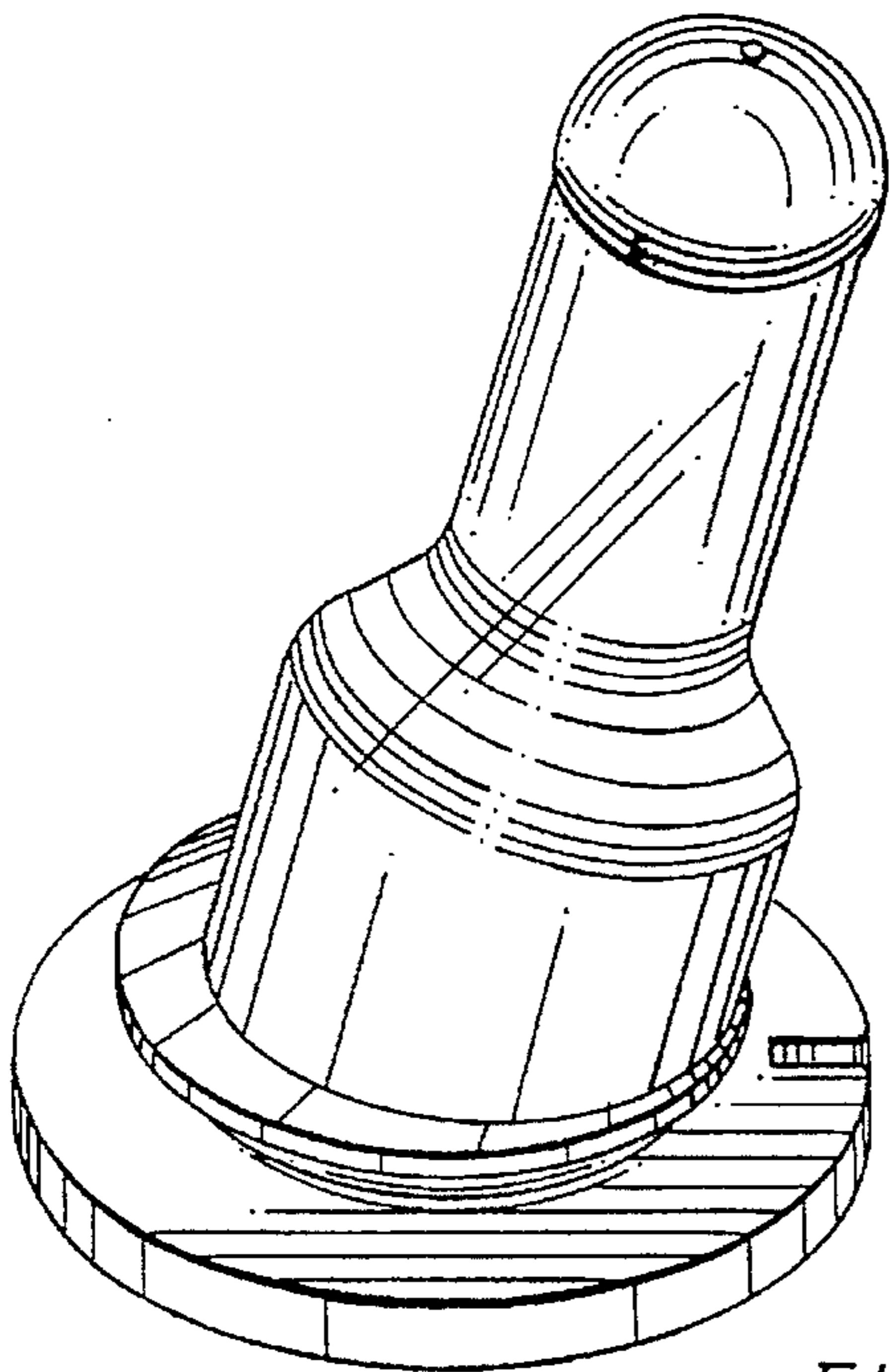


FIG. 1

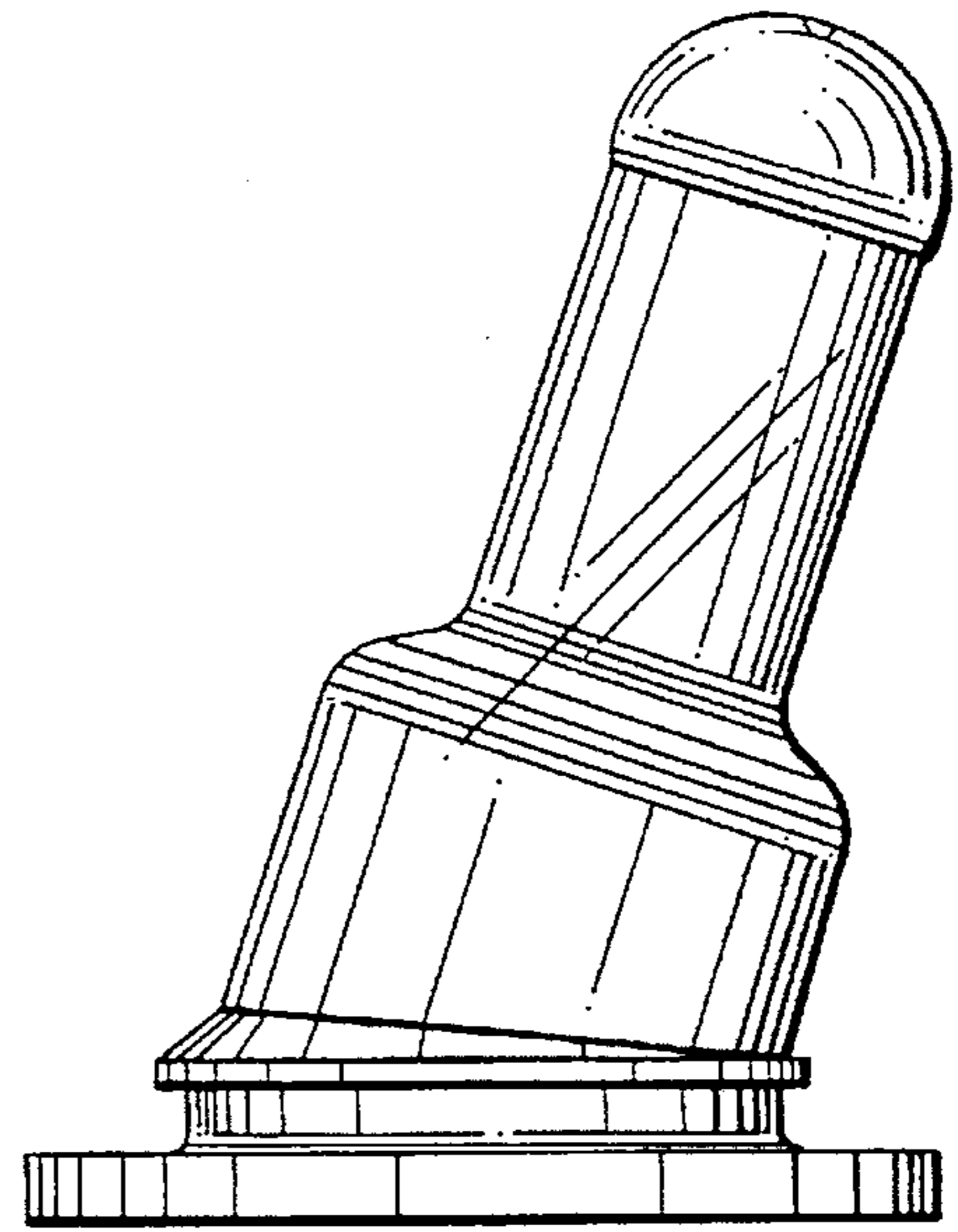


FIG. 2

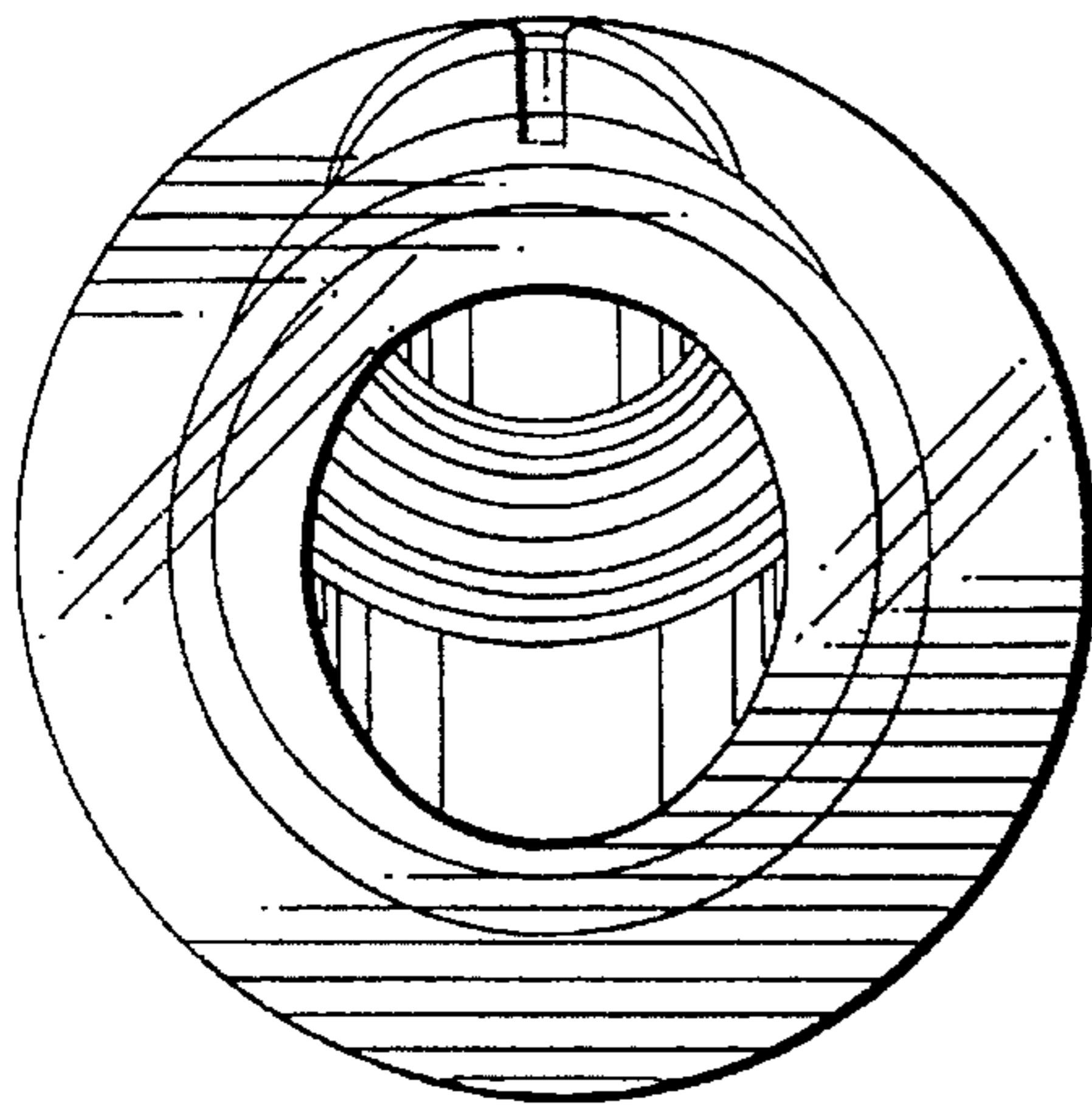


FIG. 3

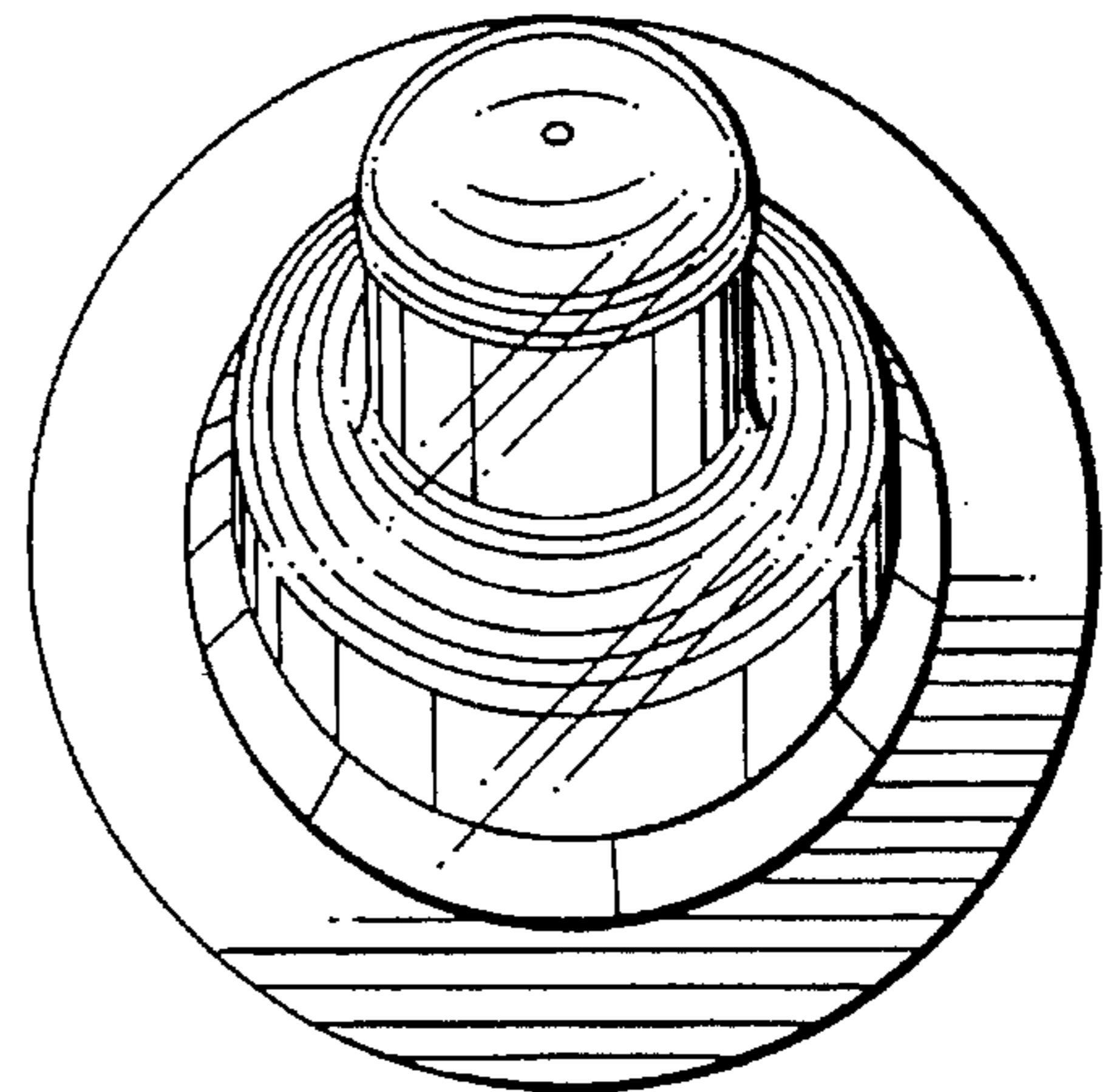


FIG. 4

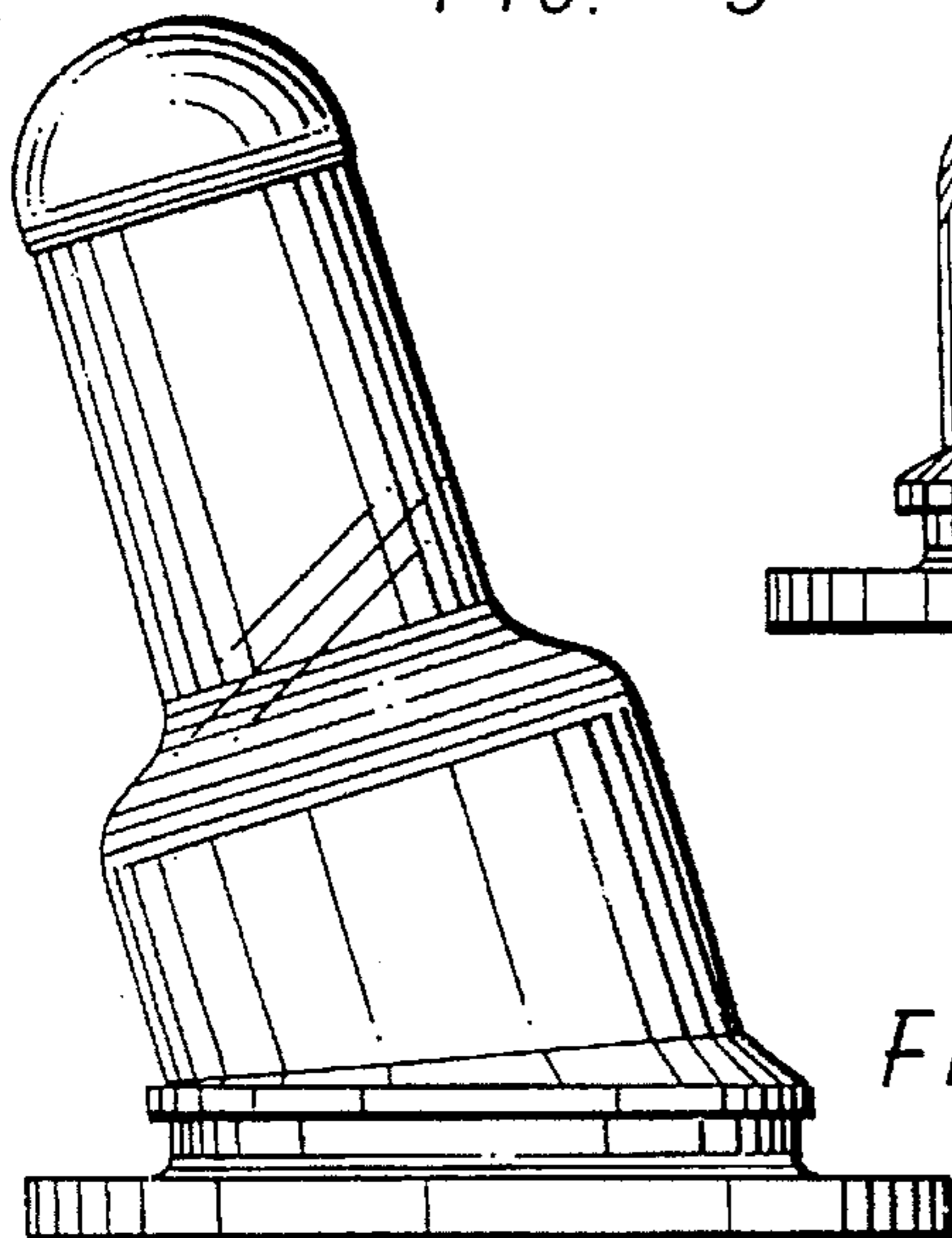


FIG. 6

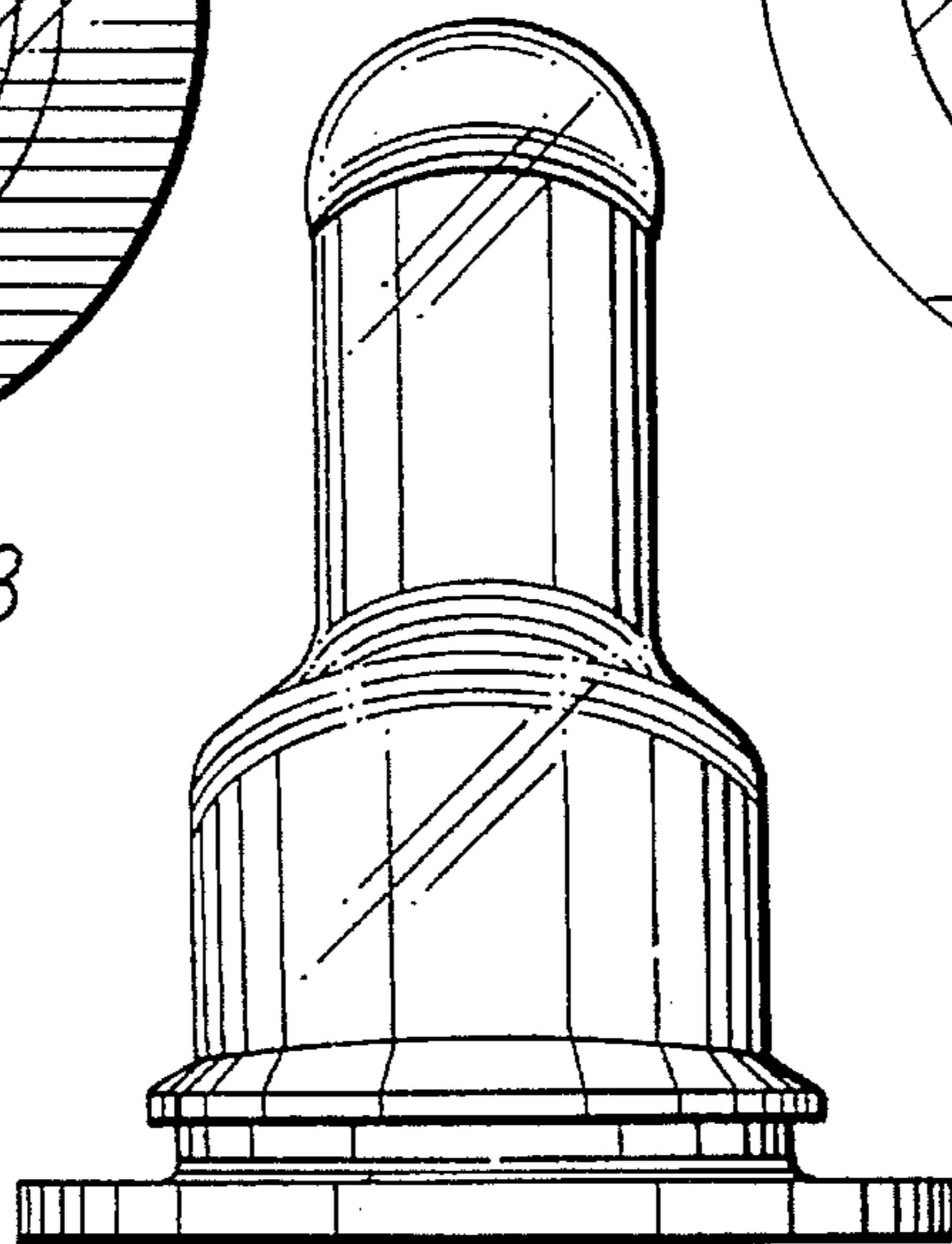


FIG. 5

FIG. 7

