



US00D382053S

United States Patent [19]

[11] Patent Number: **Des. 382,053**

Pellerito

[45] Date of Patent: ****Aug. 5, 1997**

[54] PORTABLE OXYGEN REGULATOR FOR HOME USE

DESCRIPTION

[76] Inventor: **Lawrence N. Pellerito**, 3131 W. Lewis Ave., Phoenix, Ariz. 85009

[**] Term: **14 Years**

[21] Appl. No.: **51,269**

[22] Filed: **Mar. 7, 1996**

[51] LOC (6) Cl. **29-02**

[52] U.S. Cl. **D24/110.6**

[58] Field of Search D24/110, 110.6; 128/204.18, 205.11, 205.14, 206.12, 204.25

[56] References Cited

U.S. PATENT DOCUMENTS

- D. 275,616 9/1984 Gray D24/110.6
- D. 306,086 2/1990 Rudolph et al. D24/110.6
- 5,065,745 11/1991 Meier 128/206.12 X

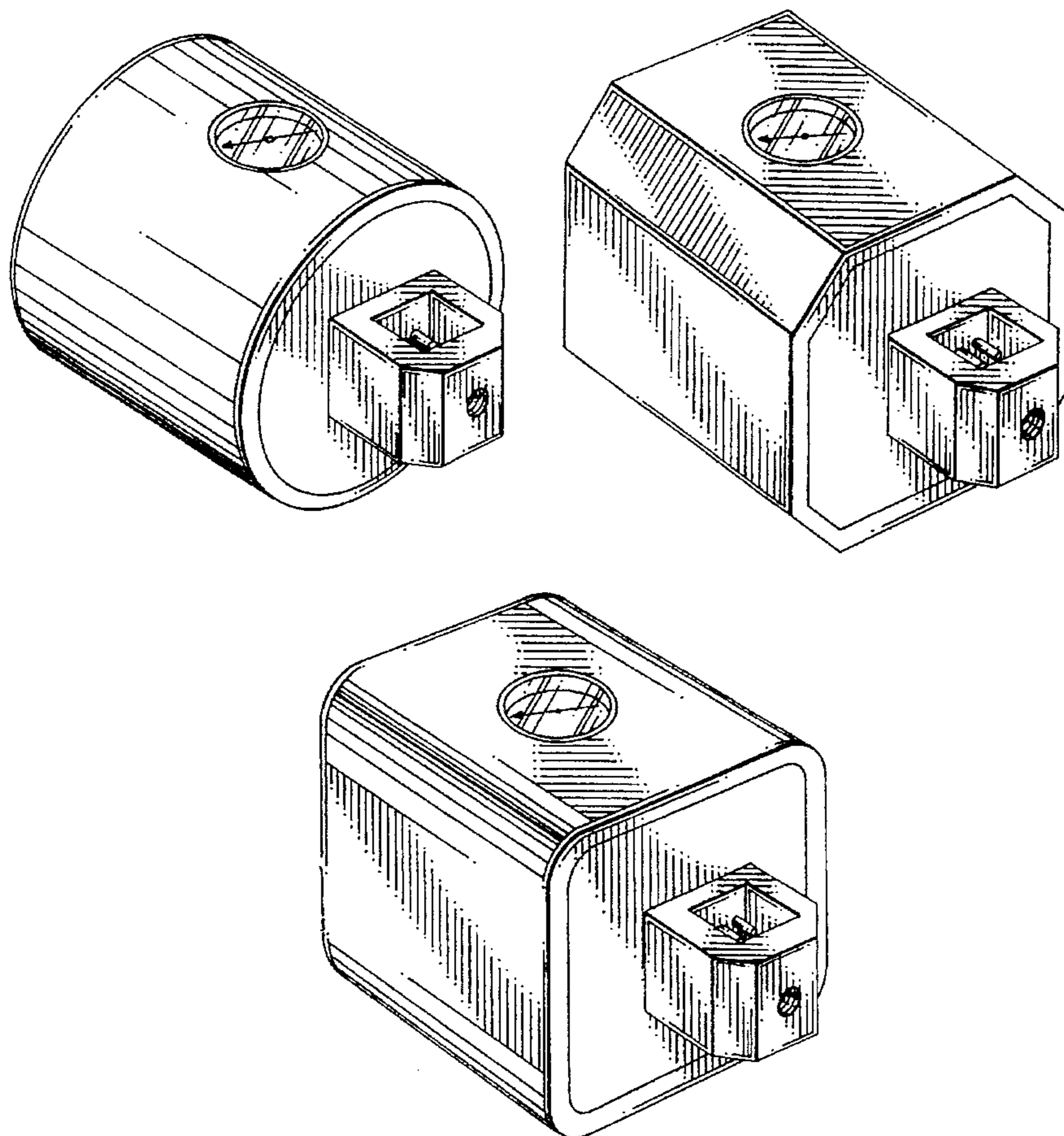
Primary Examiner—Louis S. Zarfaz
Assistant Examiner—I. Simmons
Attorney, Agent, or Firm—Joseph H. Roediger

[57] CLAIM

The ornamental design for a portable oxygen regulator for home use, as shown and described.

FIG. 1 is a perspective view of a portable oxygen regulator for home use showing my new design;
 FIG. 2 is a top plan view thereof;
 FIG. 3 is a right side elevational view thereof, the left side being a mirror image;
 FIG. 4 is a bottom plan view thereof;
 FIG. 5 is a front elevational view thereof;
 FIG. 6 is a rear elevational view thereof;
 FIG. 7 is a perspective view of a second embodiment of a portable oxygen regulator for home use showing my new design;
 FIG. 8 is a top plan view thereof;
 FIG. 9 is a right side elevational view thereof, the left side being a mirror image;
 FIG. 10 is a bottom plan view thereof;
 FIG. 11 is a rear elevational view thereof;
 FIG. 12 is a front elevational view thereof;
 FIG. 13 is a perspective view of a third embodiment of a portable oxygen regulator for home use showing my new design;
 FIG. 14 is a top plan view thereof;
 FIG. 15 is a right side elevational view thereof, the left side being a mirror image;
 FIG. 16 is a bottom plan view thereof;
 FIG. 17 is a rear elevational view thereof; and,
 FIG. 18 is a front elevational view thereof.

1 Claim, 3 Drawing Sheets



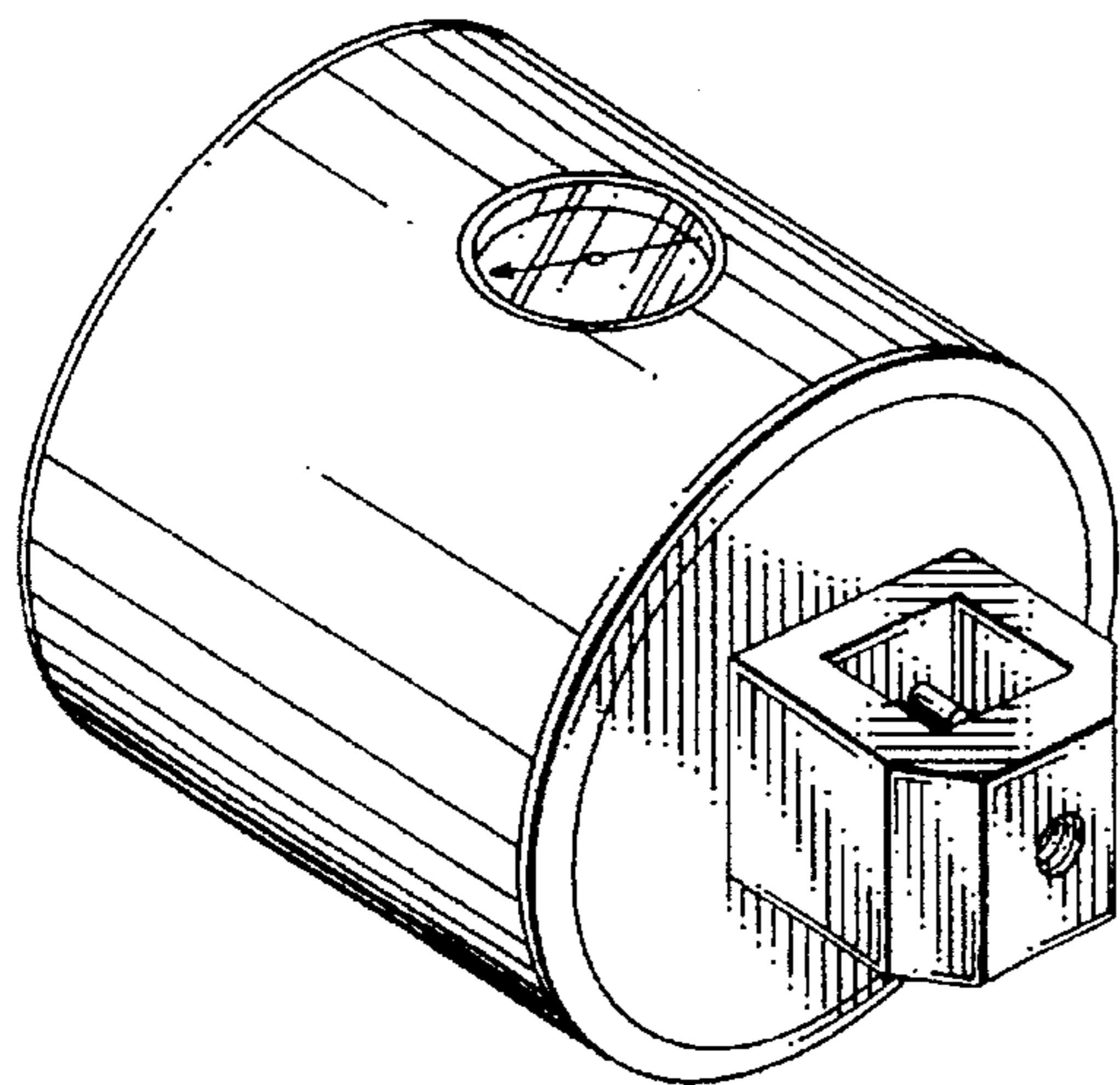


FIG. 1

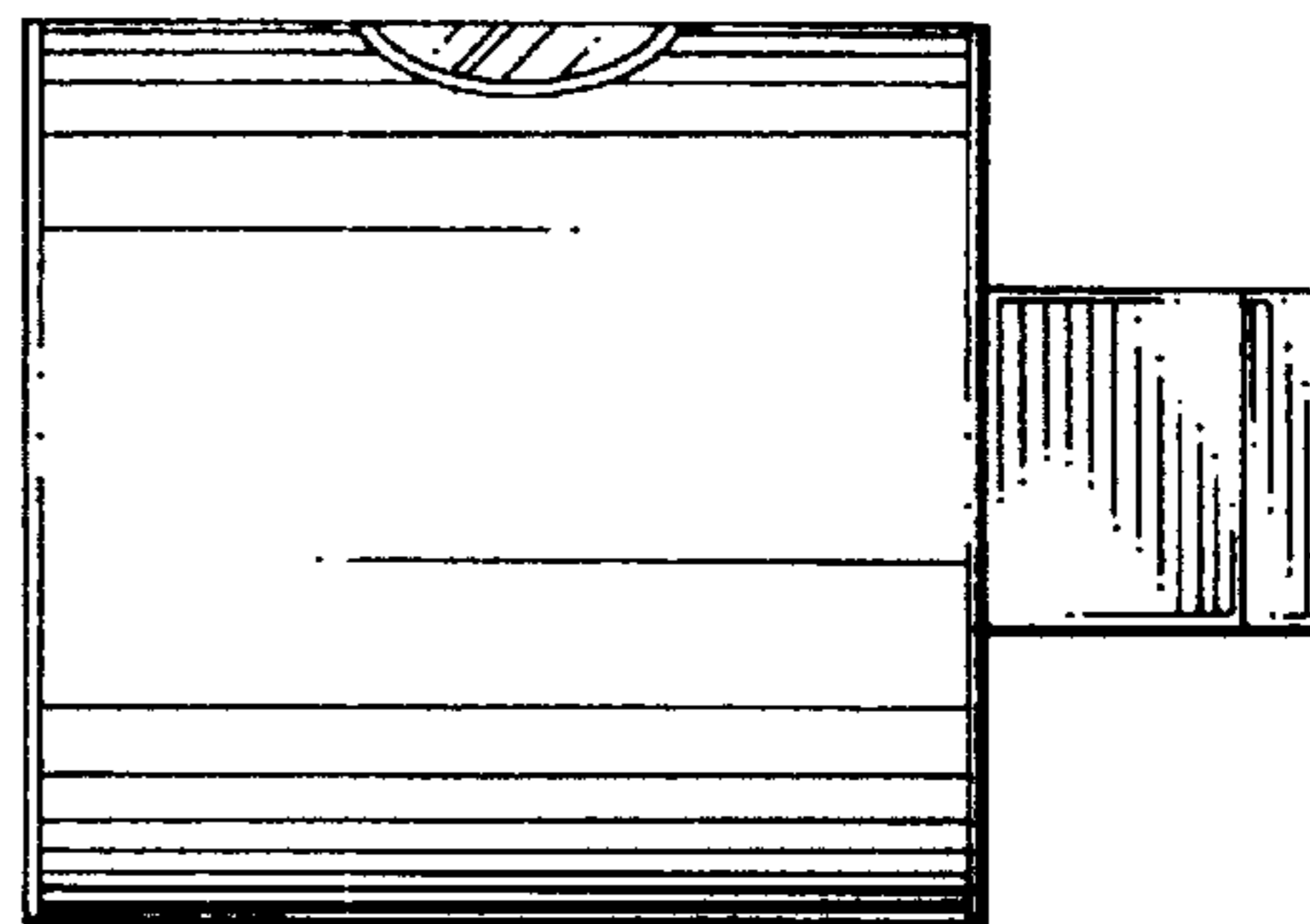


FIG. 3

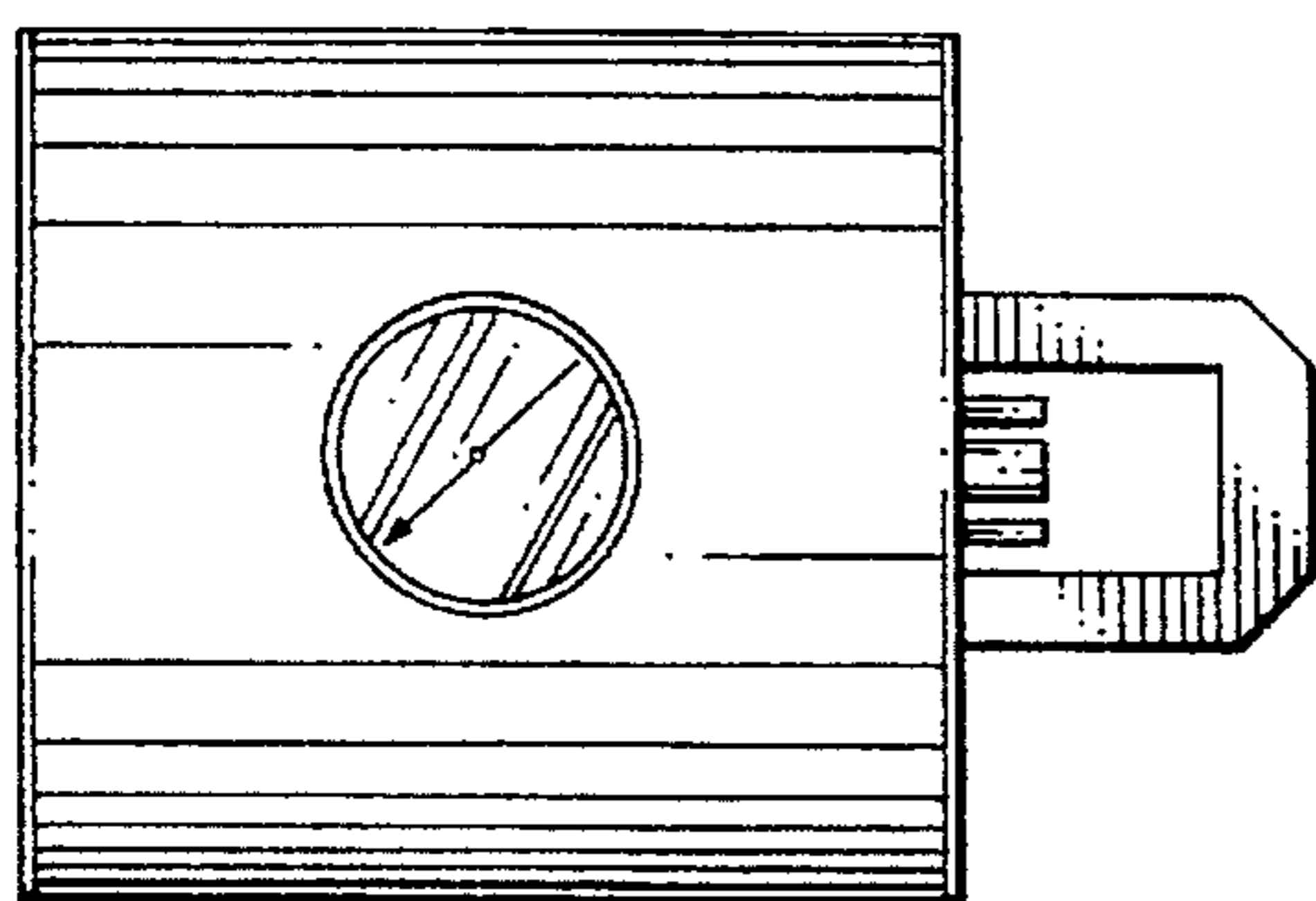


FIG. 2

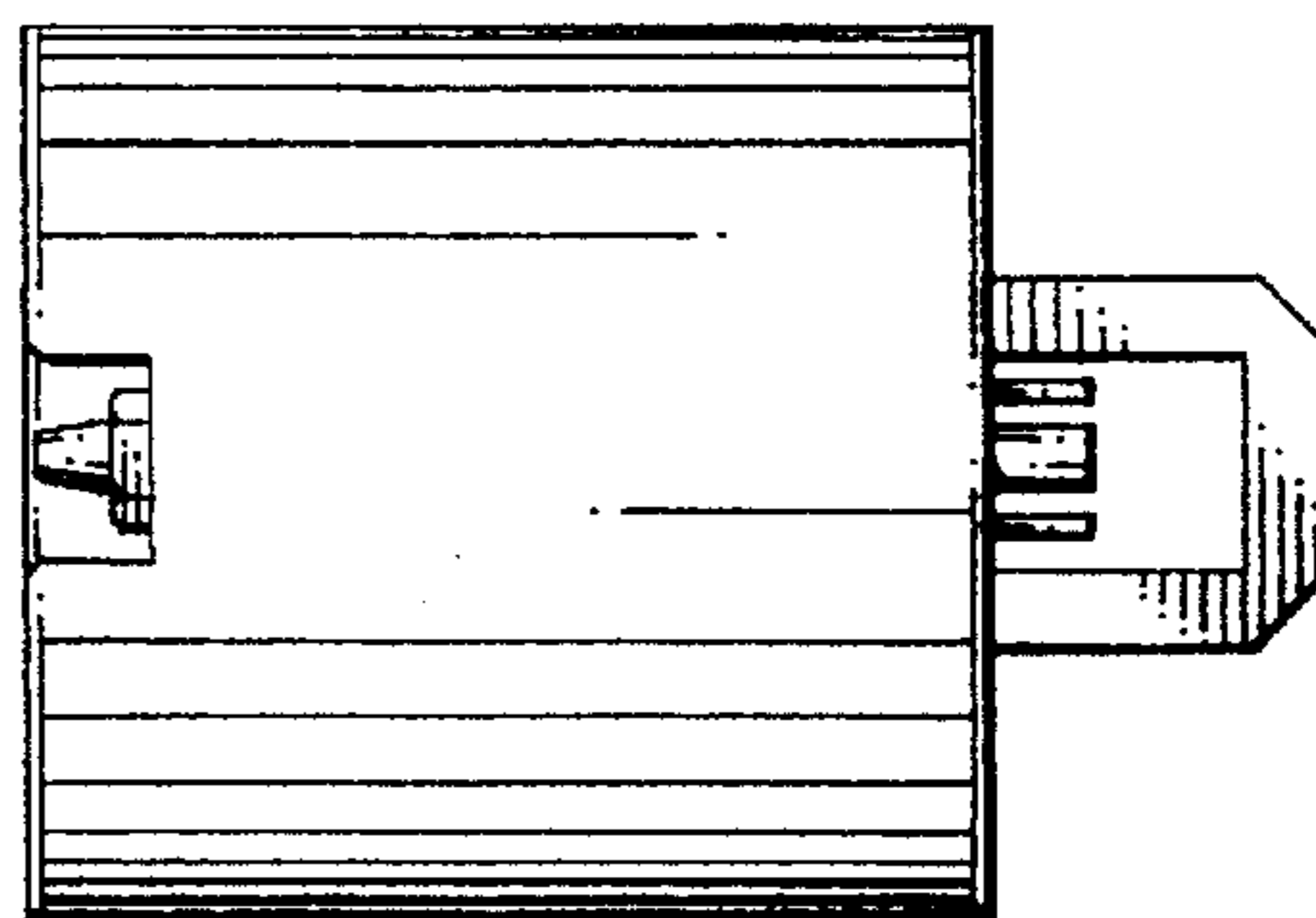


FIG. 4

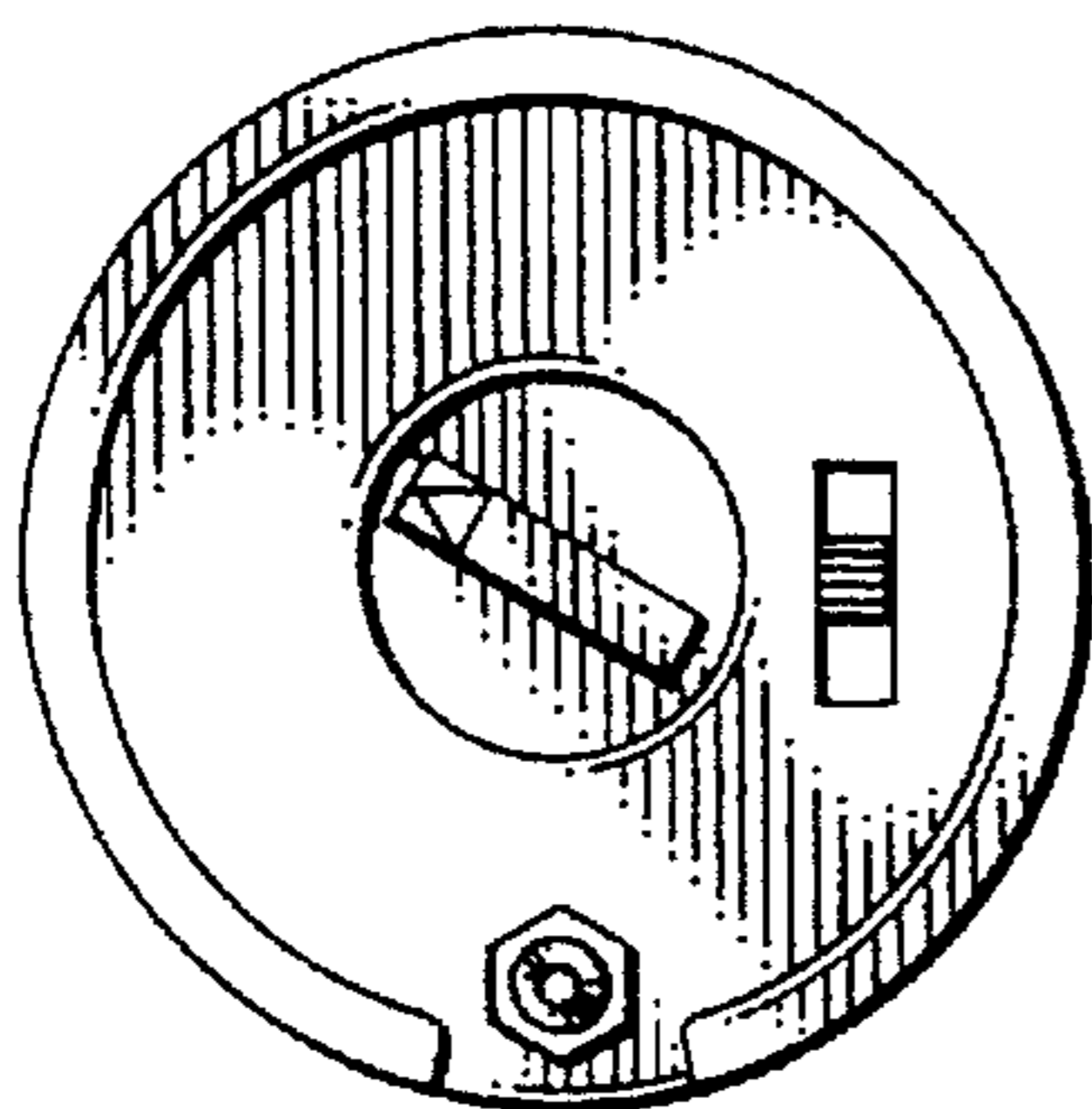


FIG. 5

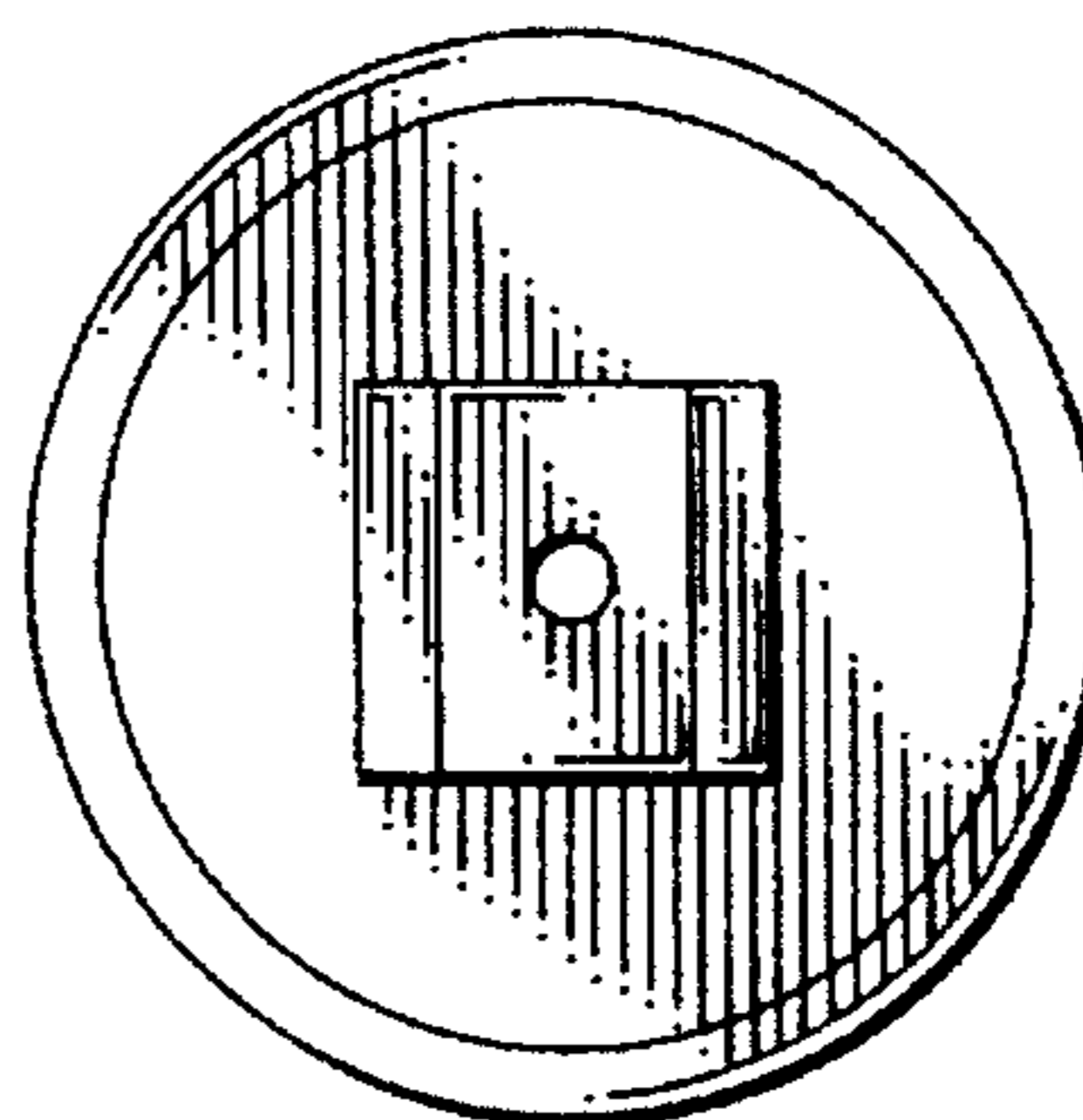


FIG. 6

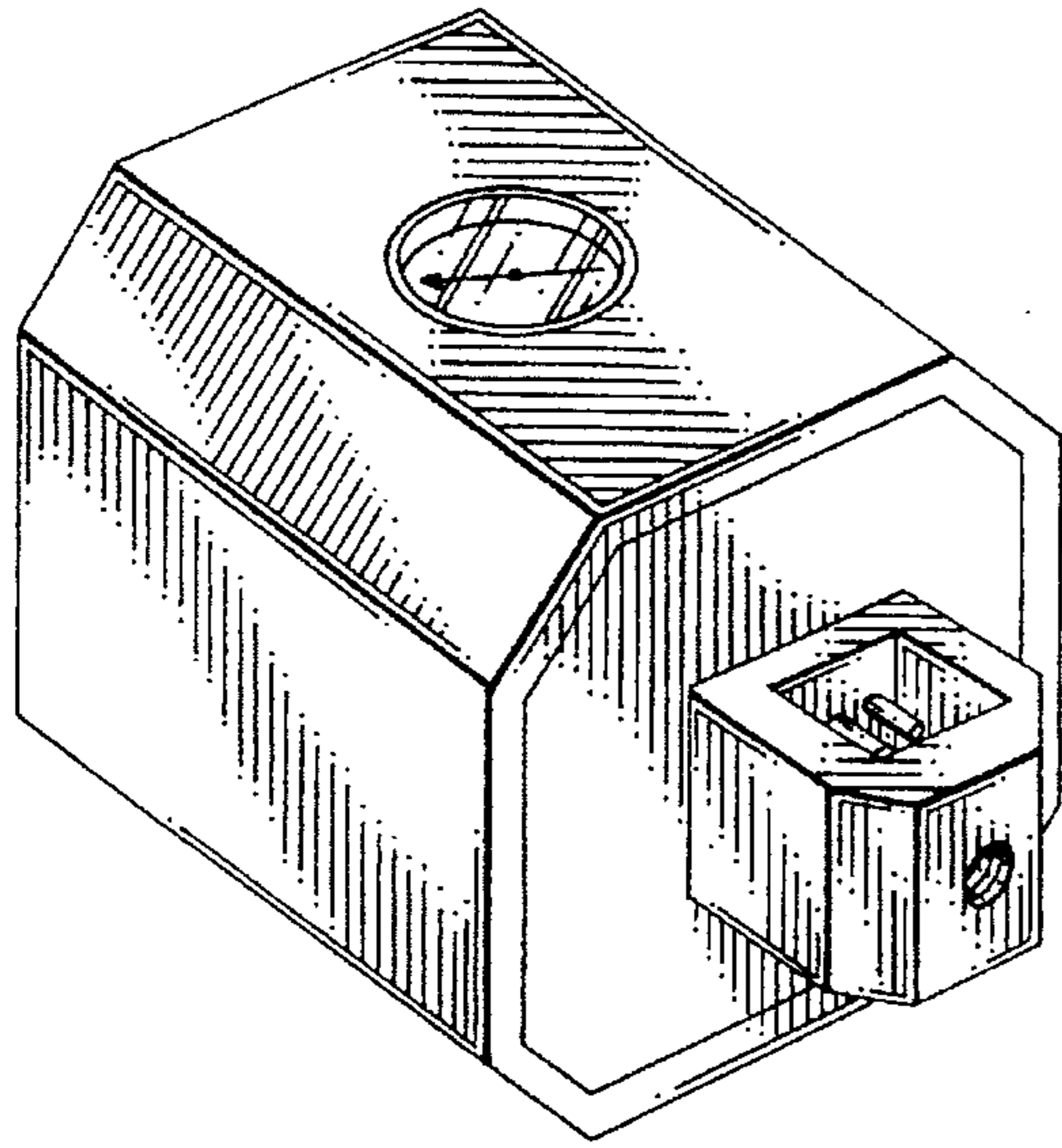


FIG. 7

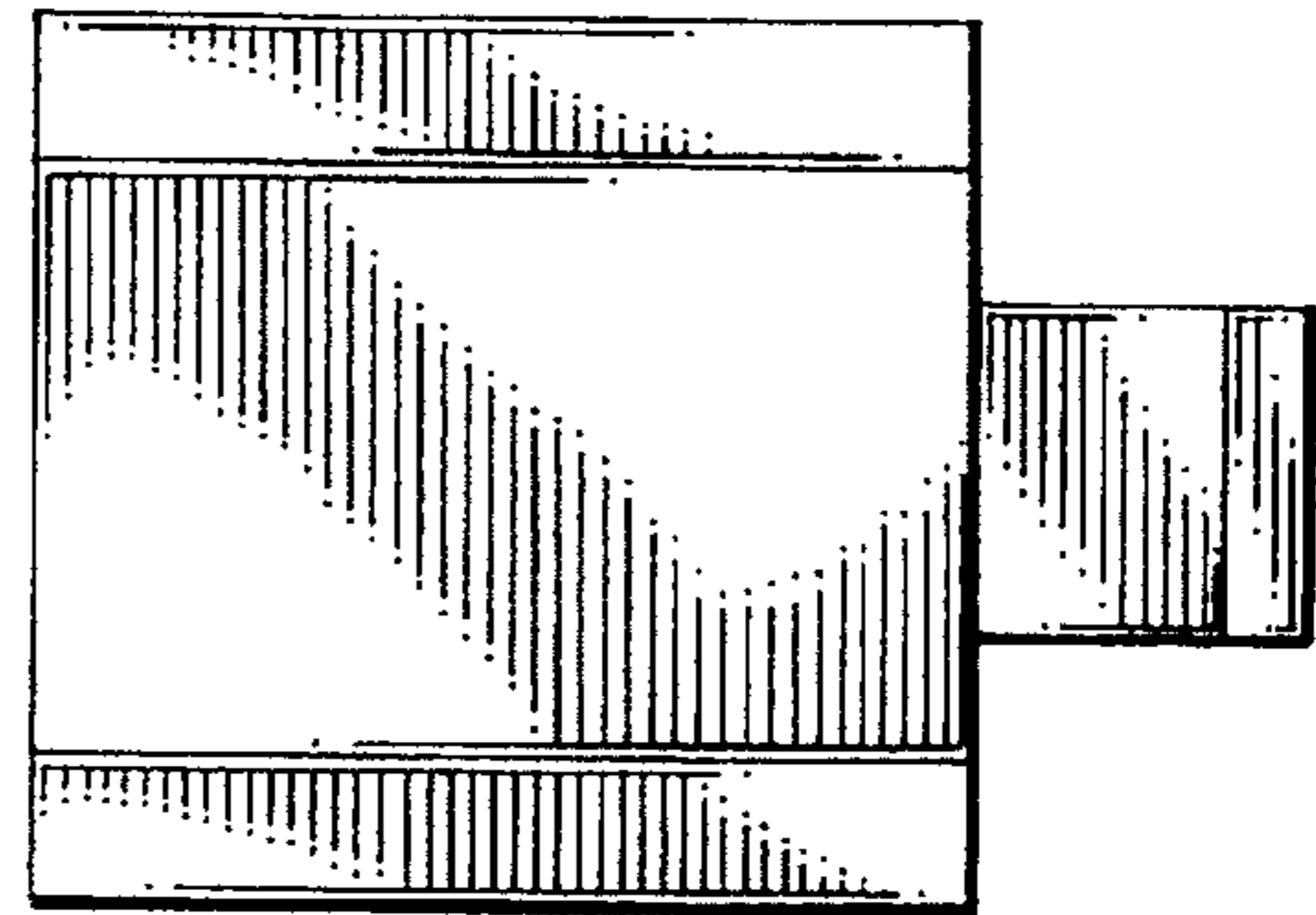


FIG. 9

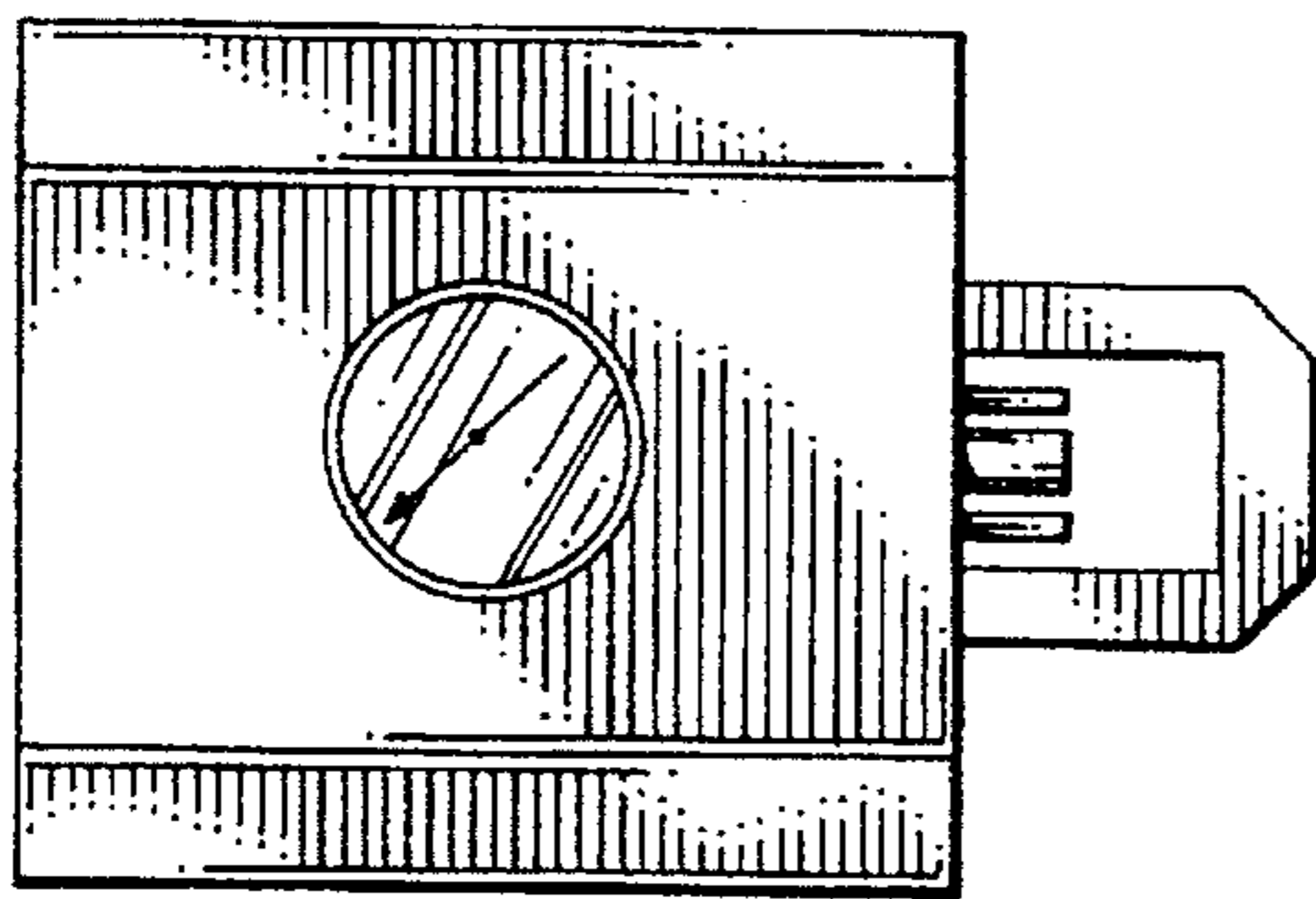


FIG. 8

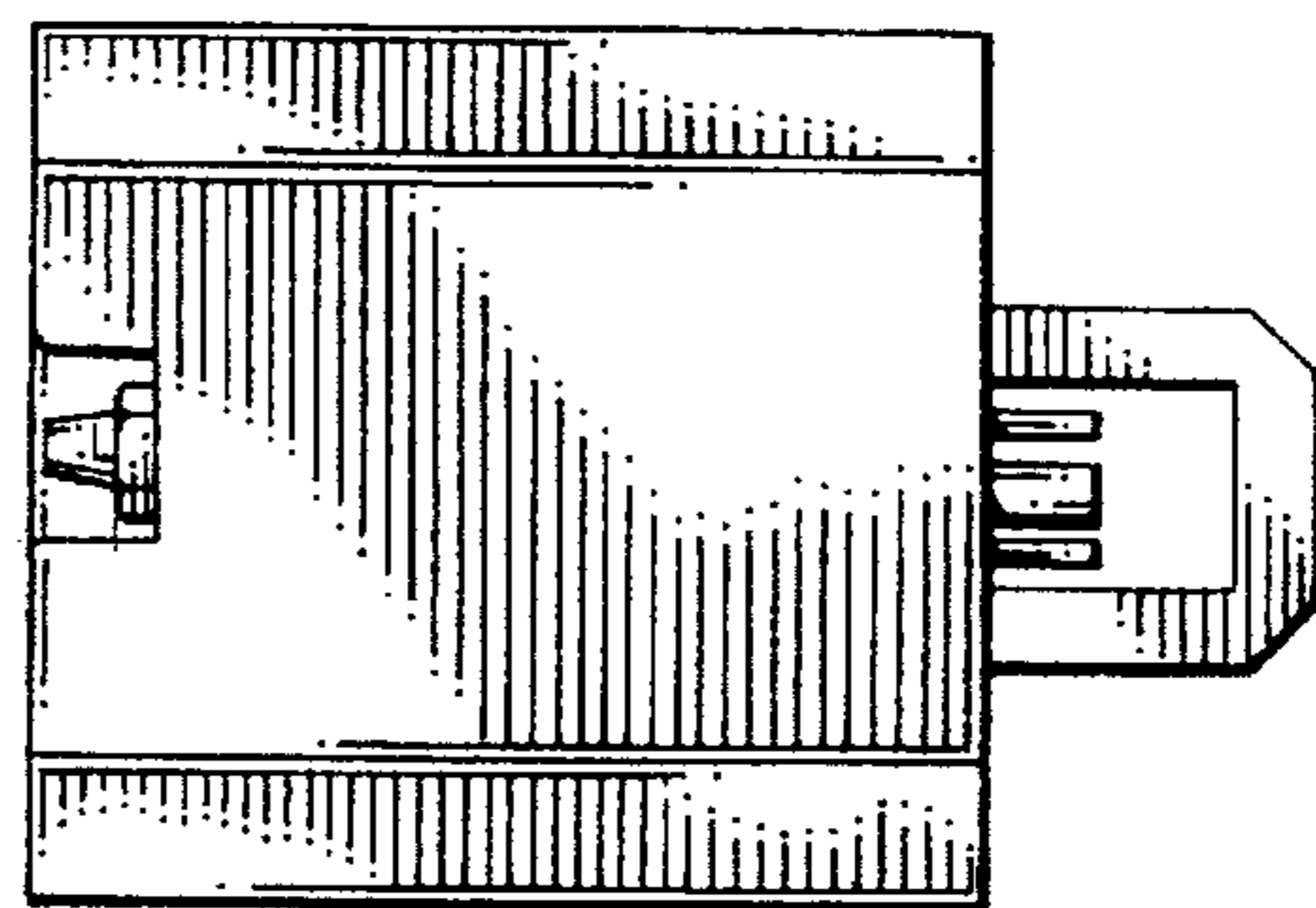


FIG. 10

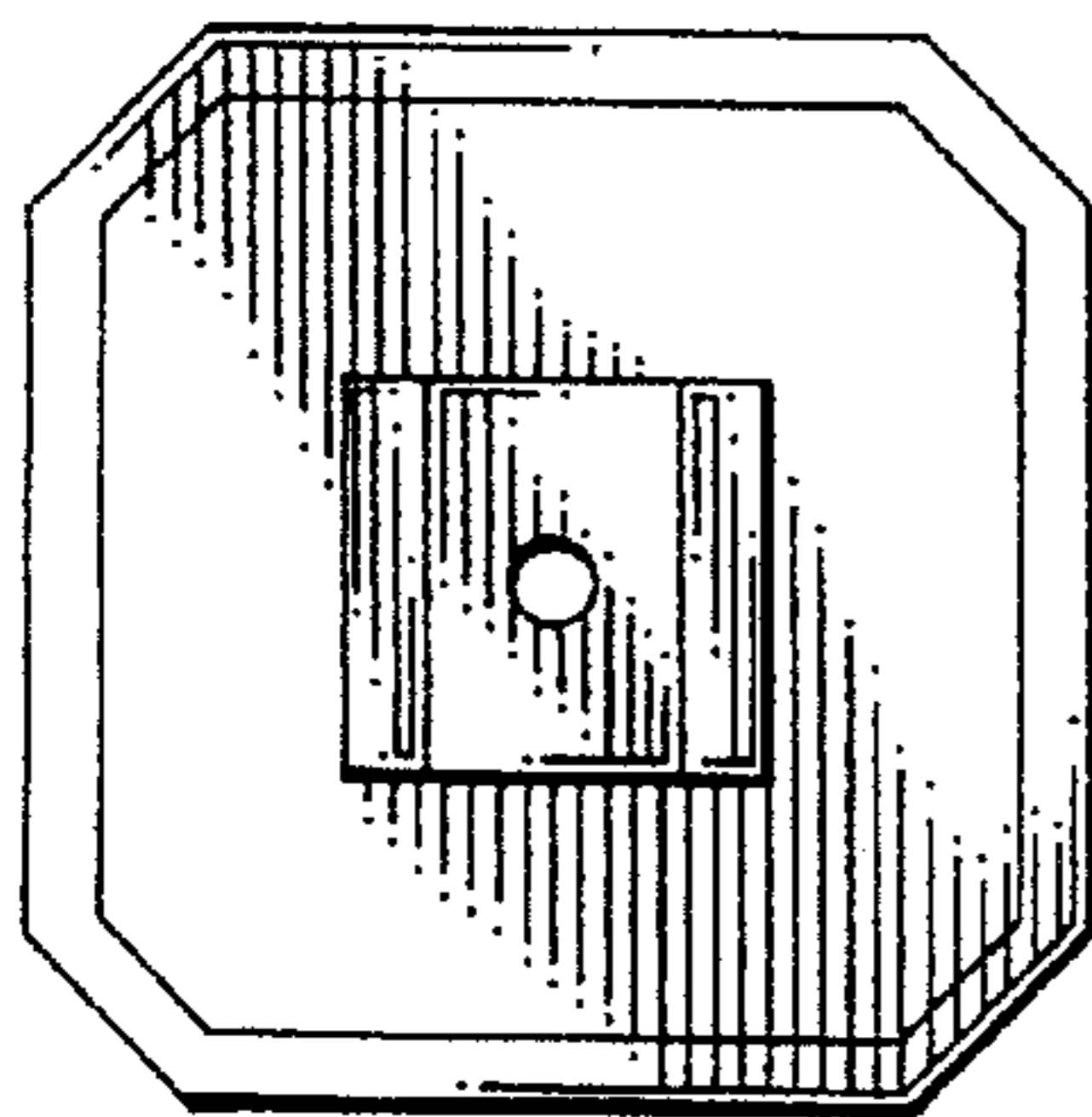


FIG. 11

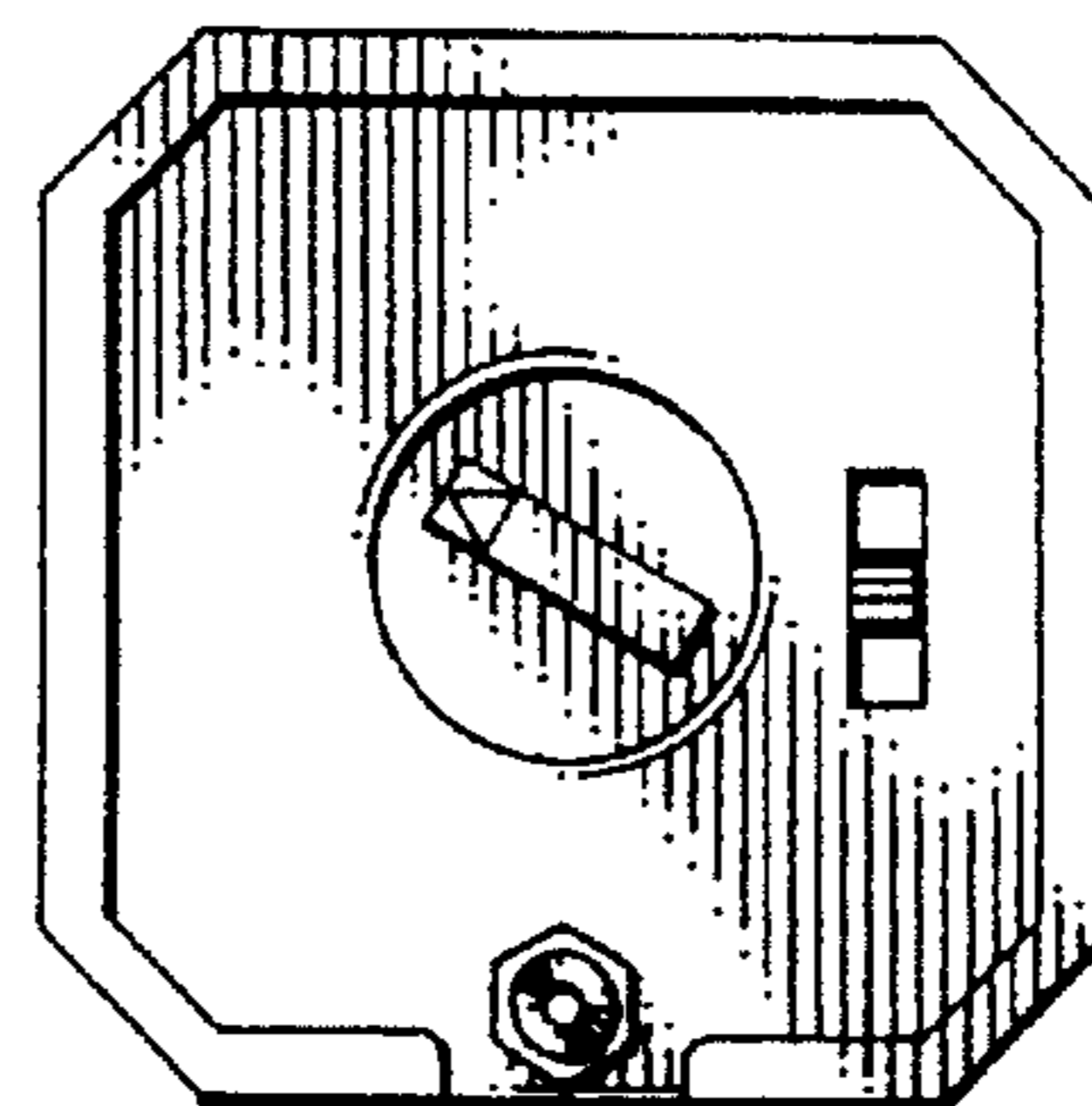


FIG. 12

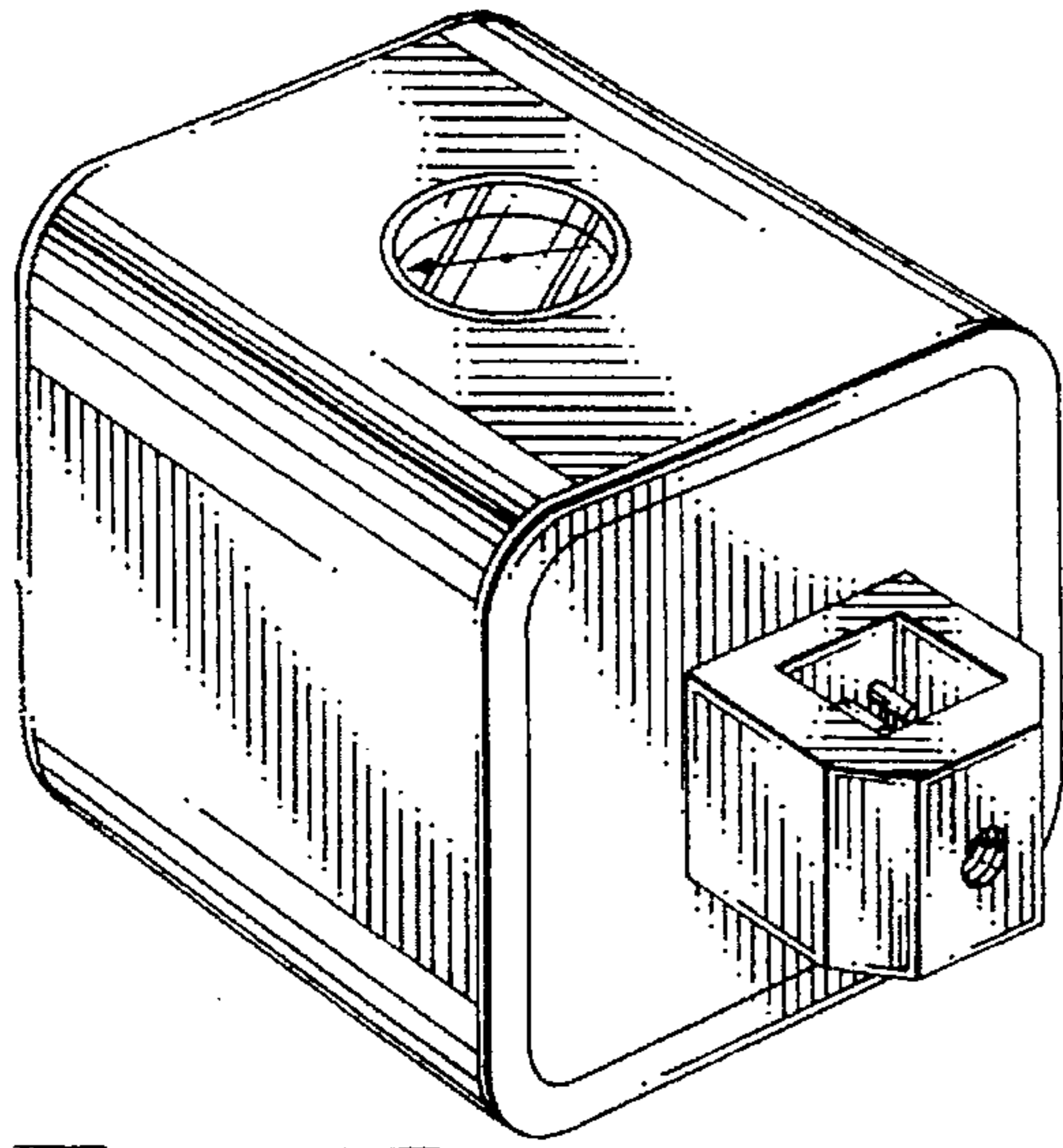


FIG. 13

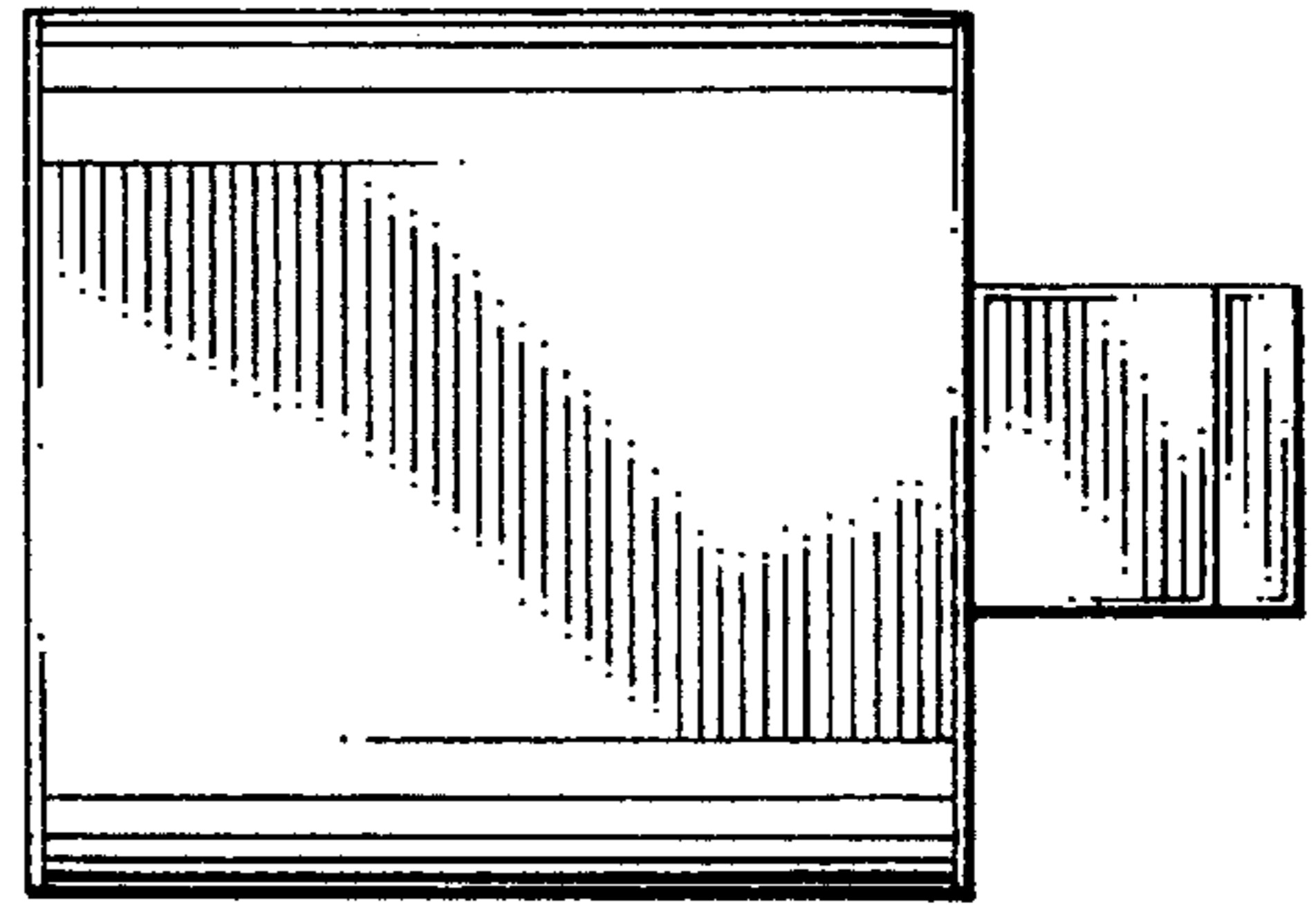


FIG. 15

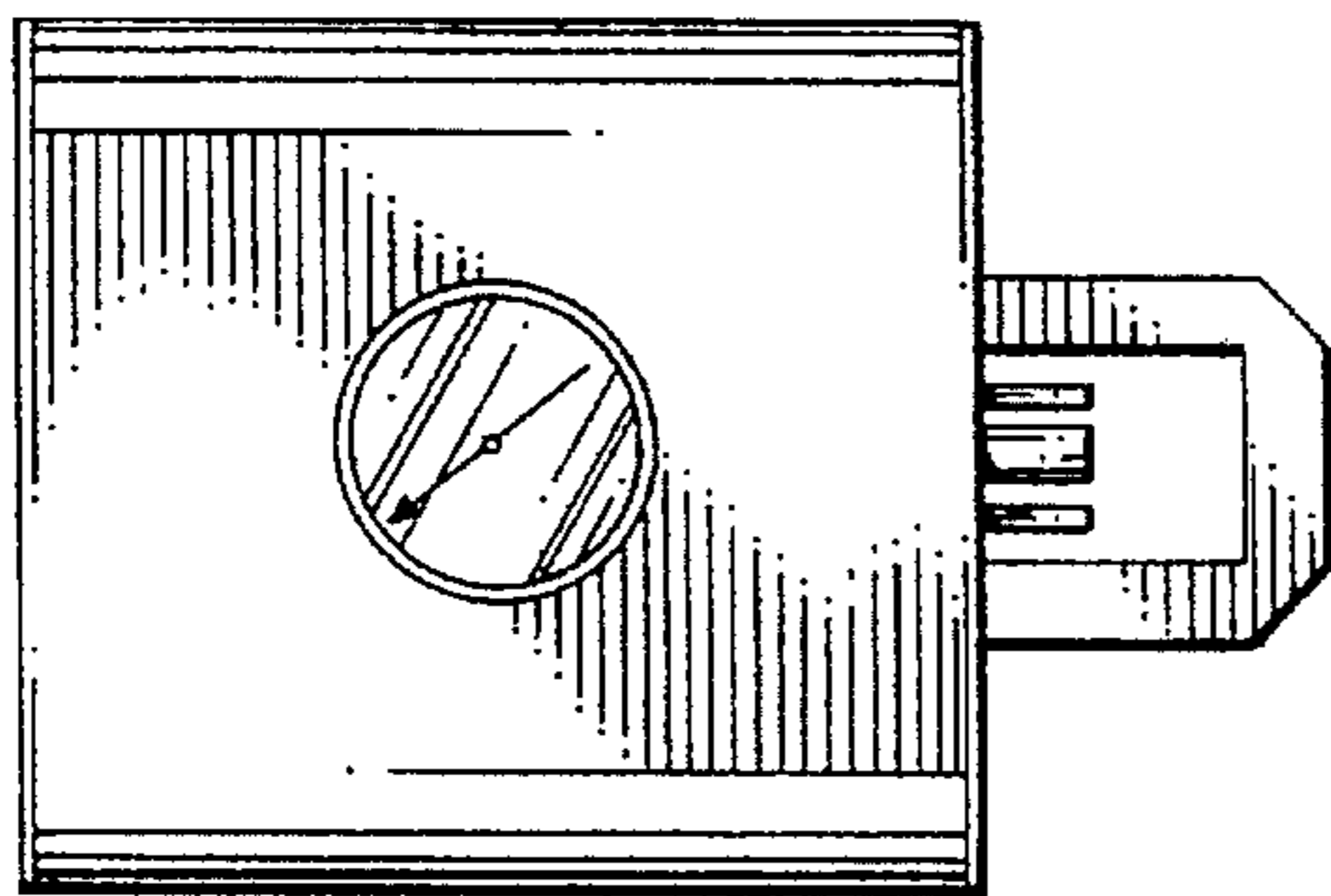


FIG. 14

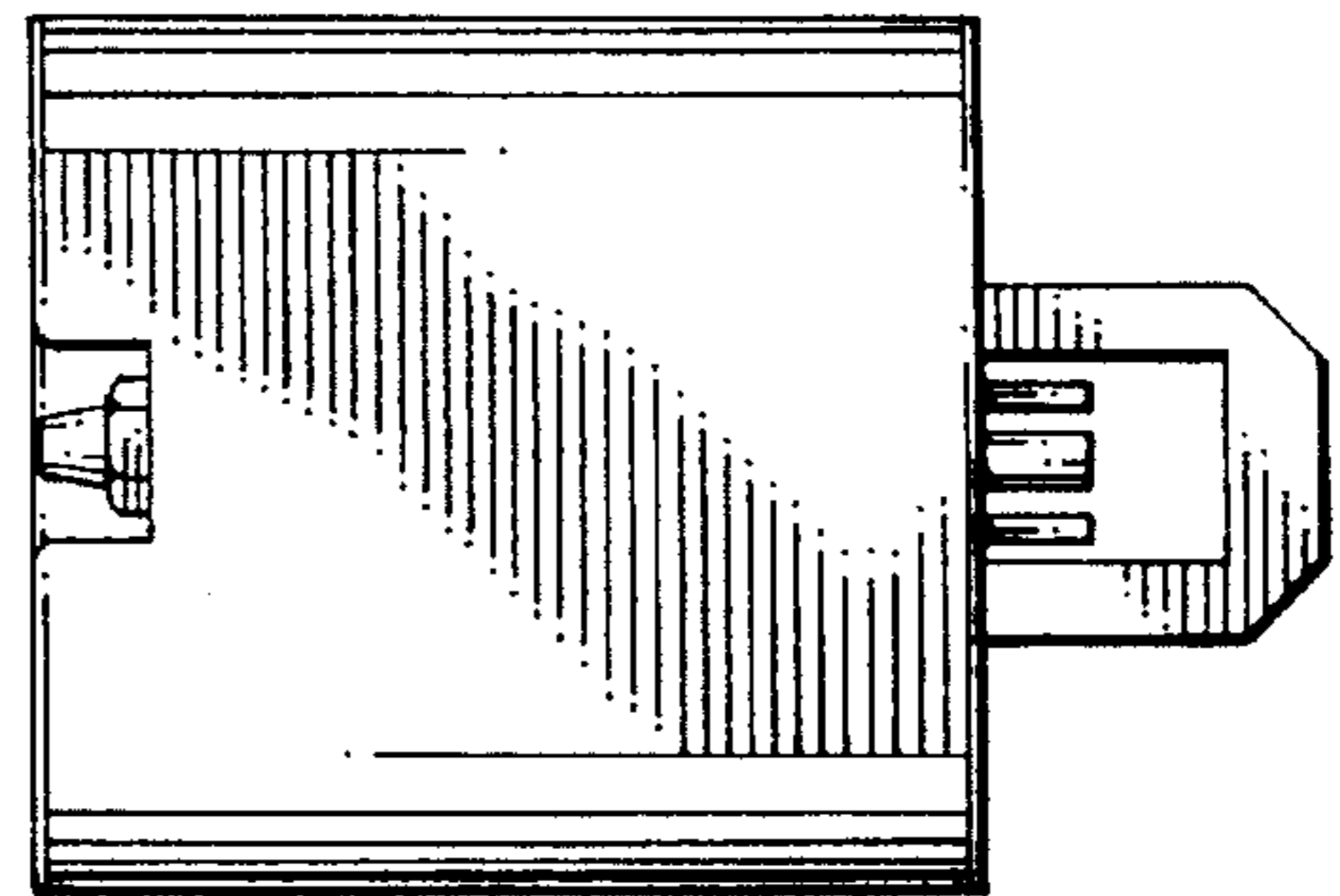


FIG. 16

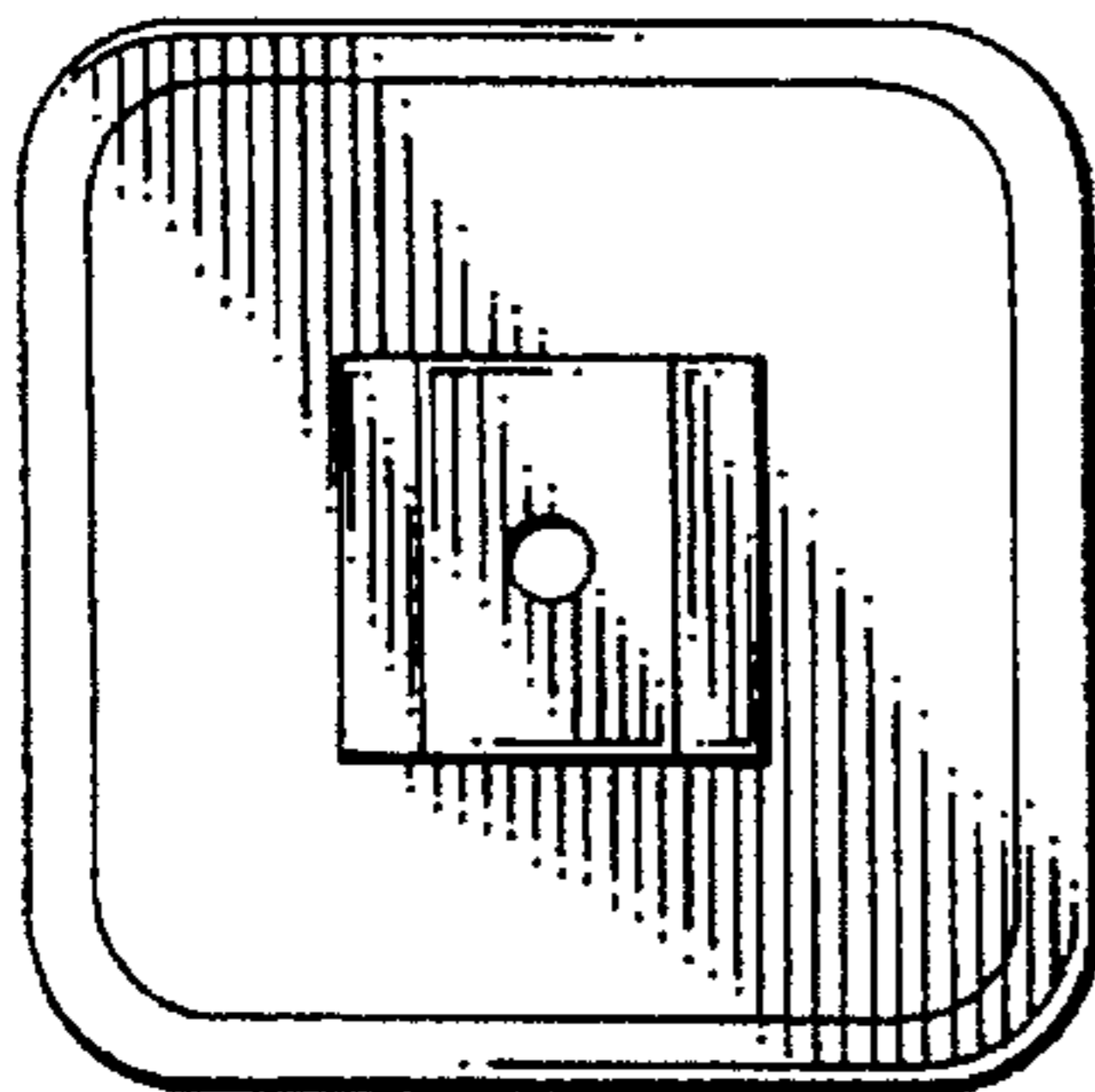


FIG. 17

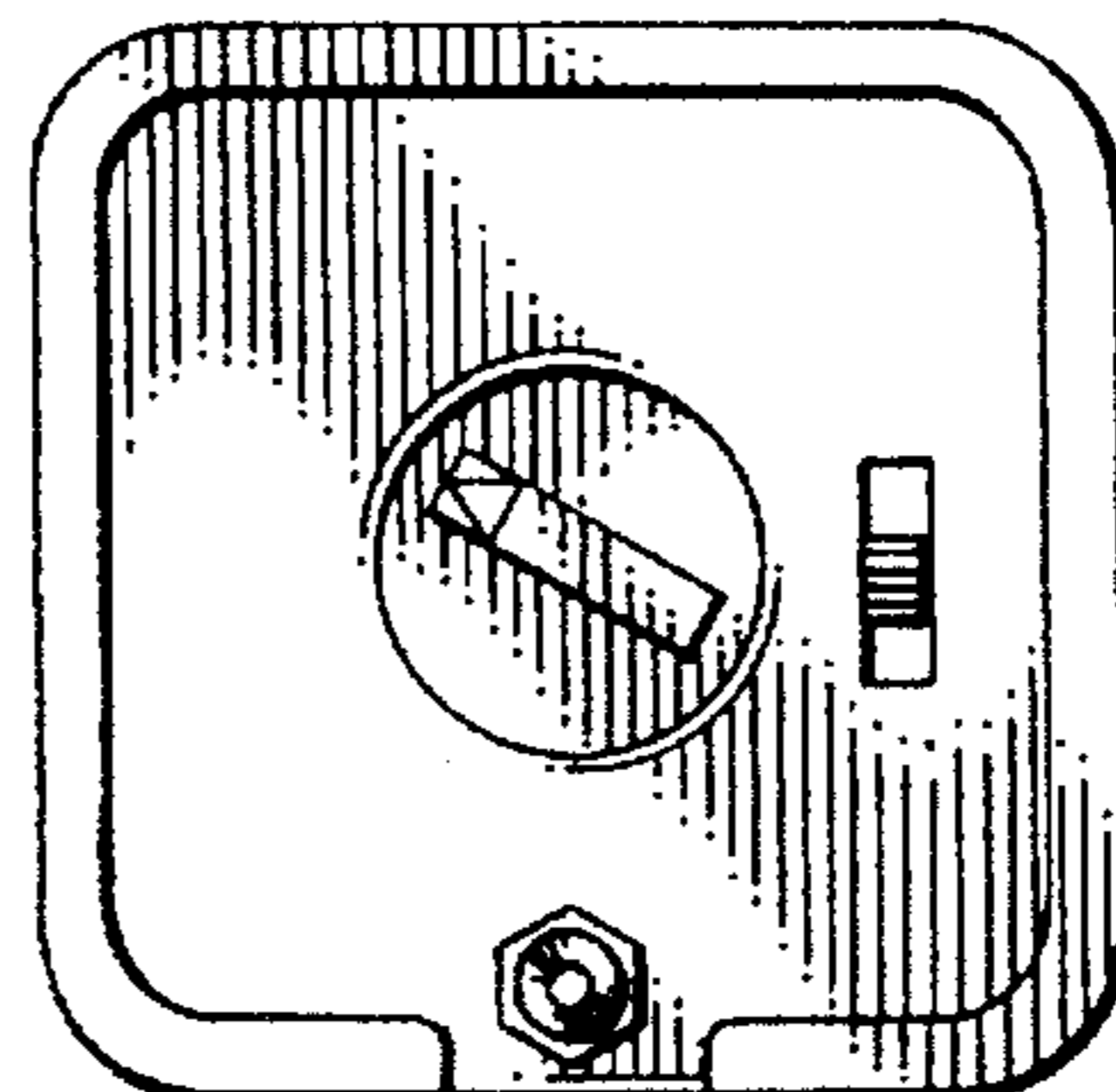


FIG. 18