



US00D382048S

United States Patent [19]
Bennett

[11] **Patent Number: Des. 382,048**
[45] **Date of Patent: **Aug. 5, 1997**

[54] **MARINE ENGINE COMPARTMENT HEATER**

DESCRIPTION

[76] **Inventor: Oliver L. Bennett, 5100A Beverly Glen La., Norcross, Ga. 30092**

[**] **Term: 14 Years**

[21] **Appl. No.: 47,920**

[22] **Filed: Dec. 14, 1995**

[51] **LOC (6) Cl. 23-03**

[52] **U.S. Cl. D23/335; D23/332; D23/389**

[58] **Field of Search D23/335, 389, D23/370, 332, 386, 385, 387, 388; 392/352, 353, 365-369, 372, 382, 370**

[56] **References Cited**

U.S. PATENT DOCUMENTS

D. 352,774	11/1994	Godfrey et al.	D23/335
1,398,167	11/1921	Bakstad	392/370
3,903,904	9/1975	Hemrich et al.	392/384
5,450,869	9/1995	Brittain et al.	136/203

Primary Examiner—Lisa Lichtenstein

Attorney, Agent, or Firm—Deveau, Colton & Marquis

[57] **CLAIM**

The ornamental design for a marine engine compartment heater, as shown and described.

FIG. 1 is a perspective view of a first embodiment of a marine engine compartment heater showing my new design; FIG. 2 is a front view of the marine engine compartment heater of FIG. 1;

FIG. 3 is a top view of the marine engine compartment heater of FIG. 1;

FIG. 4 is a side view of the marine engine compartment heater of FIG. 1, the opposite side being a mirror image of that shown;

FIG. 5 is a bottom view of the marine engine compartment heater of FIG. 1;

FIG. 6 is a perspective view of a second embodiment of a marine engine compartment heater showing my new design;

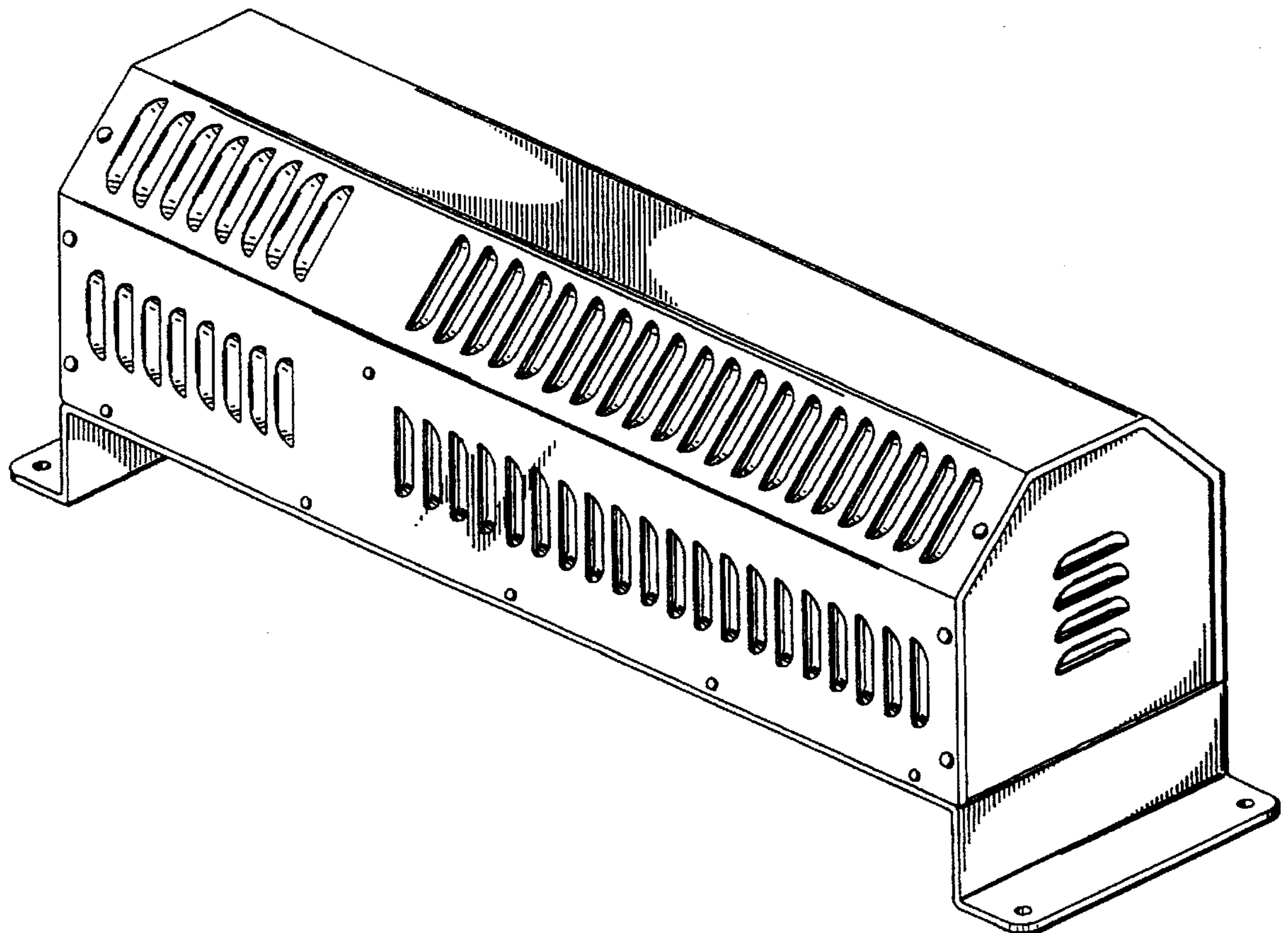
FIG. 7 is a front view of the marine engine compartment heater of FIG. 6;

FIG. 8 is a top view of the marine engine compartment heater of FIG. 6;

FIG. 9 is a side view of the marine engine compartment heater of FIG. 1, the opposite side being a mirror image of that shown; and,

FIG. 10 is a bottom view of the marine engine compartment heater of FIG. 6.

1 Claim, 4 Drawing Sheets



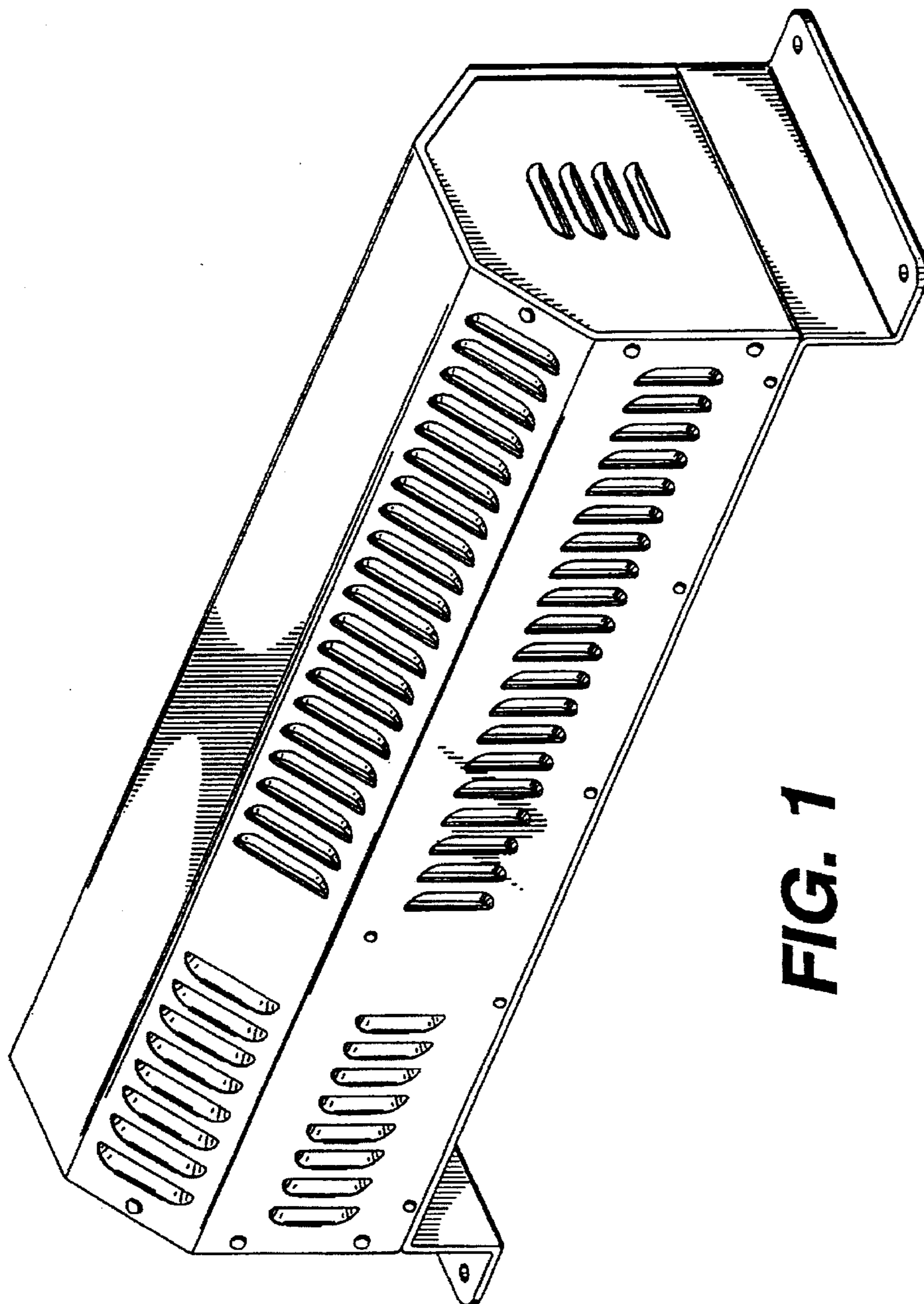


FIG. 1

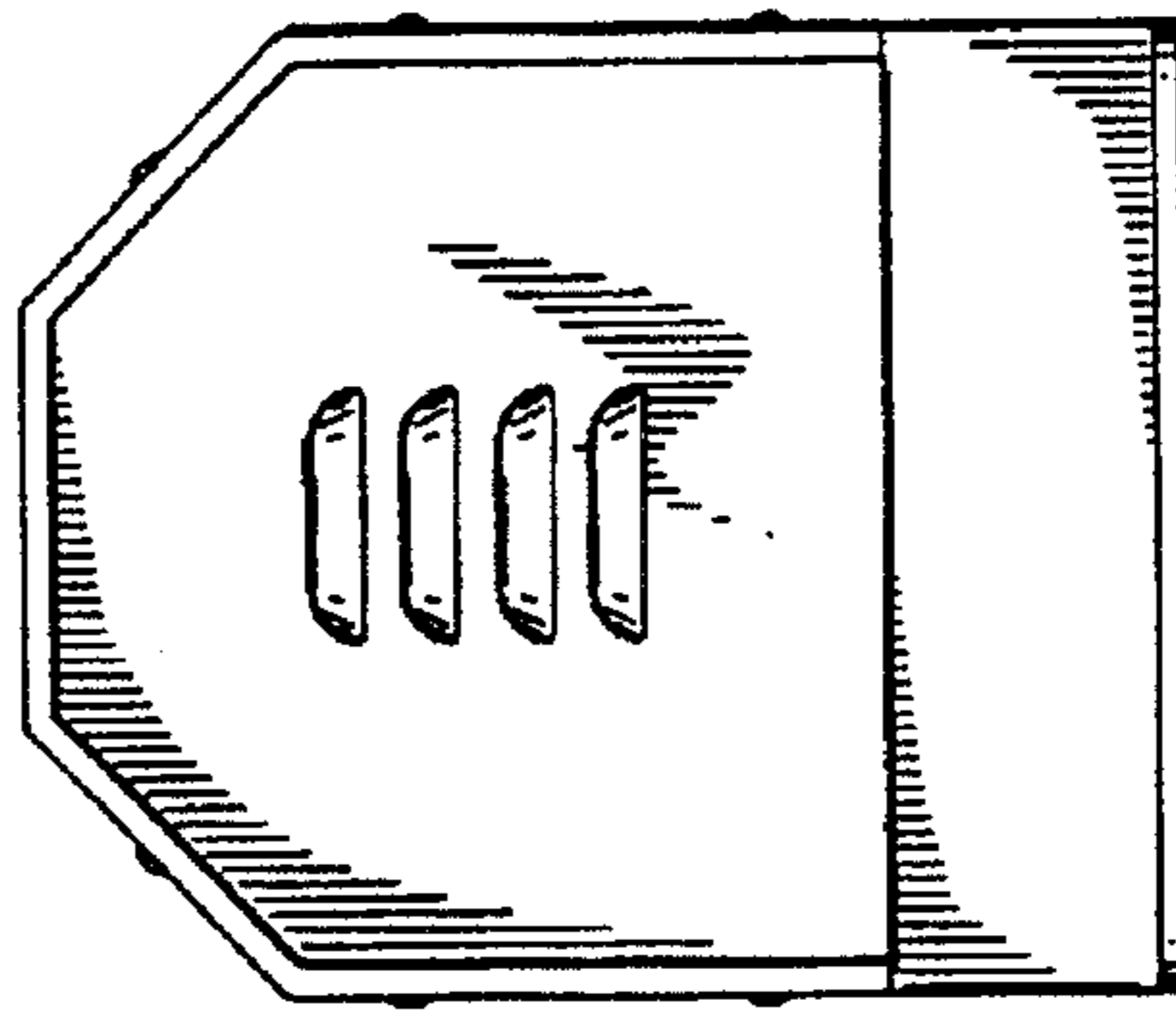


FIG. 2

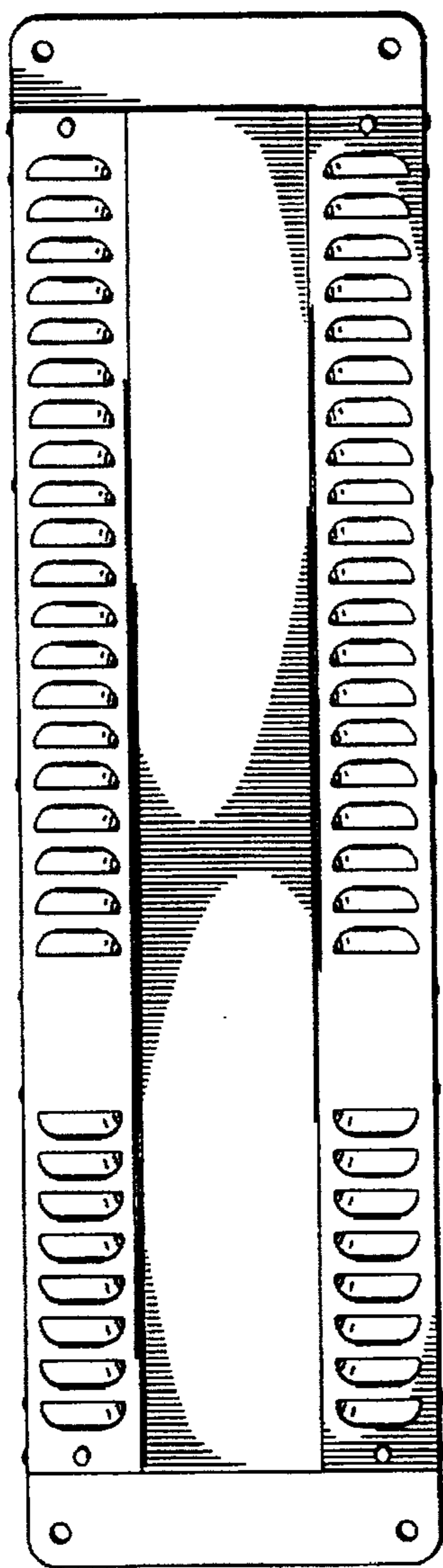


FIG. 3

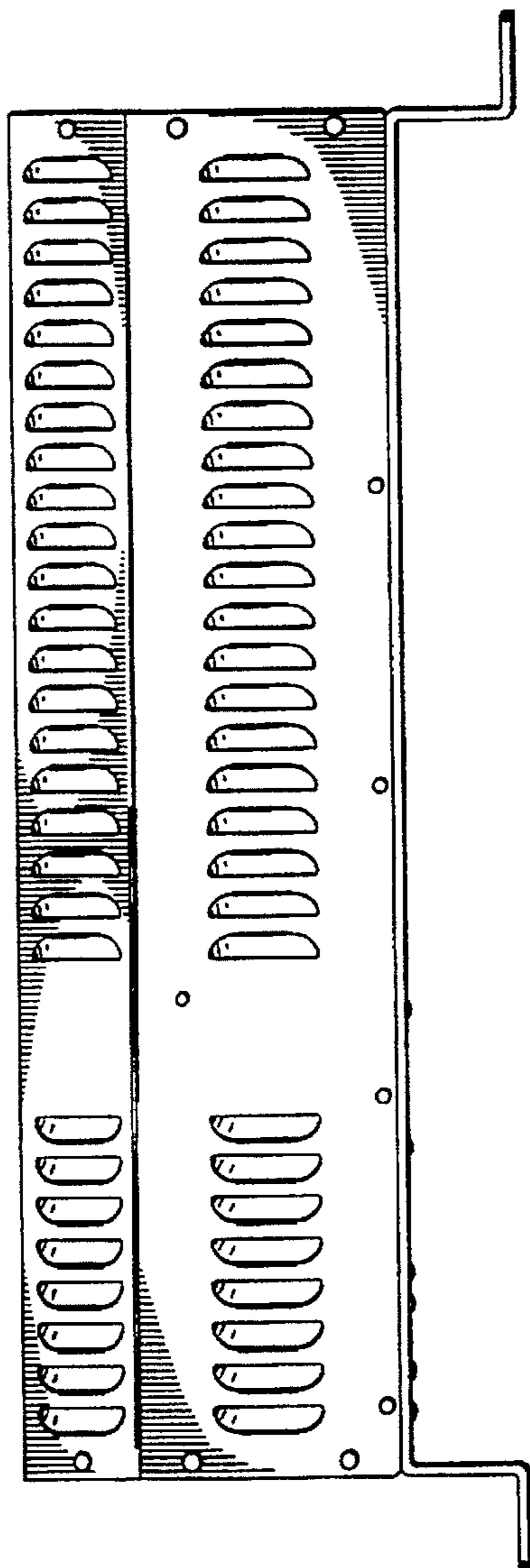


FIG. 4

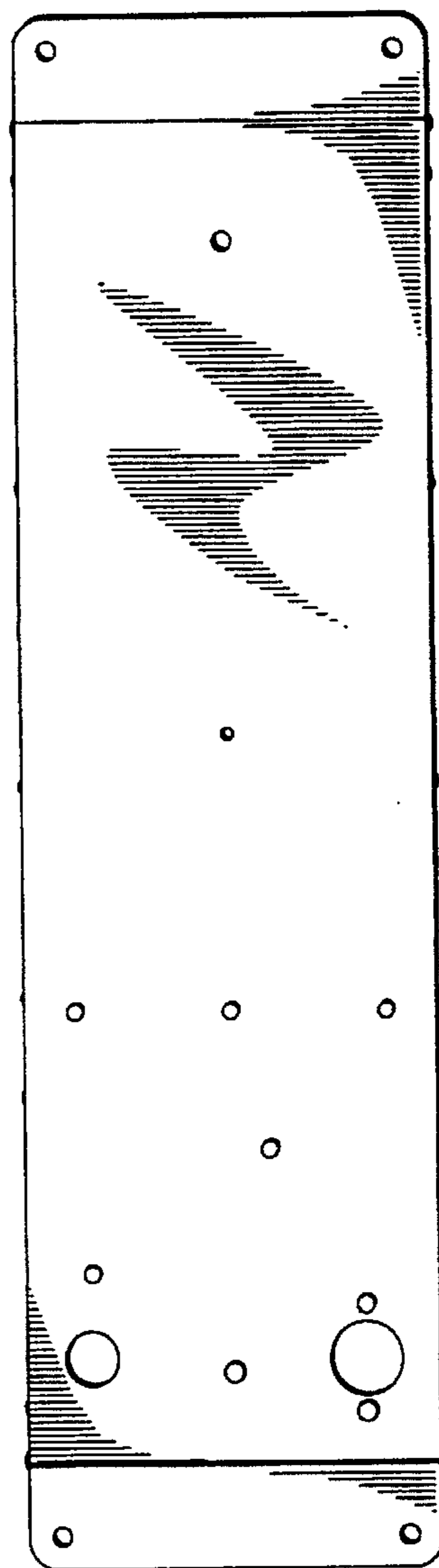


FIG. 5

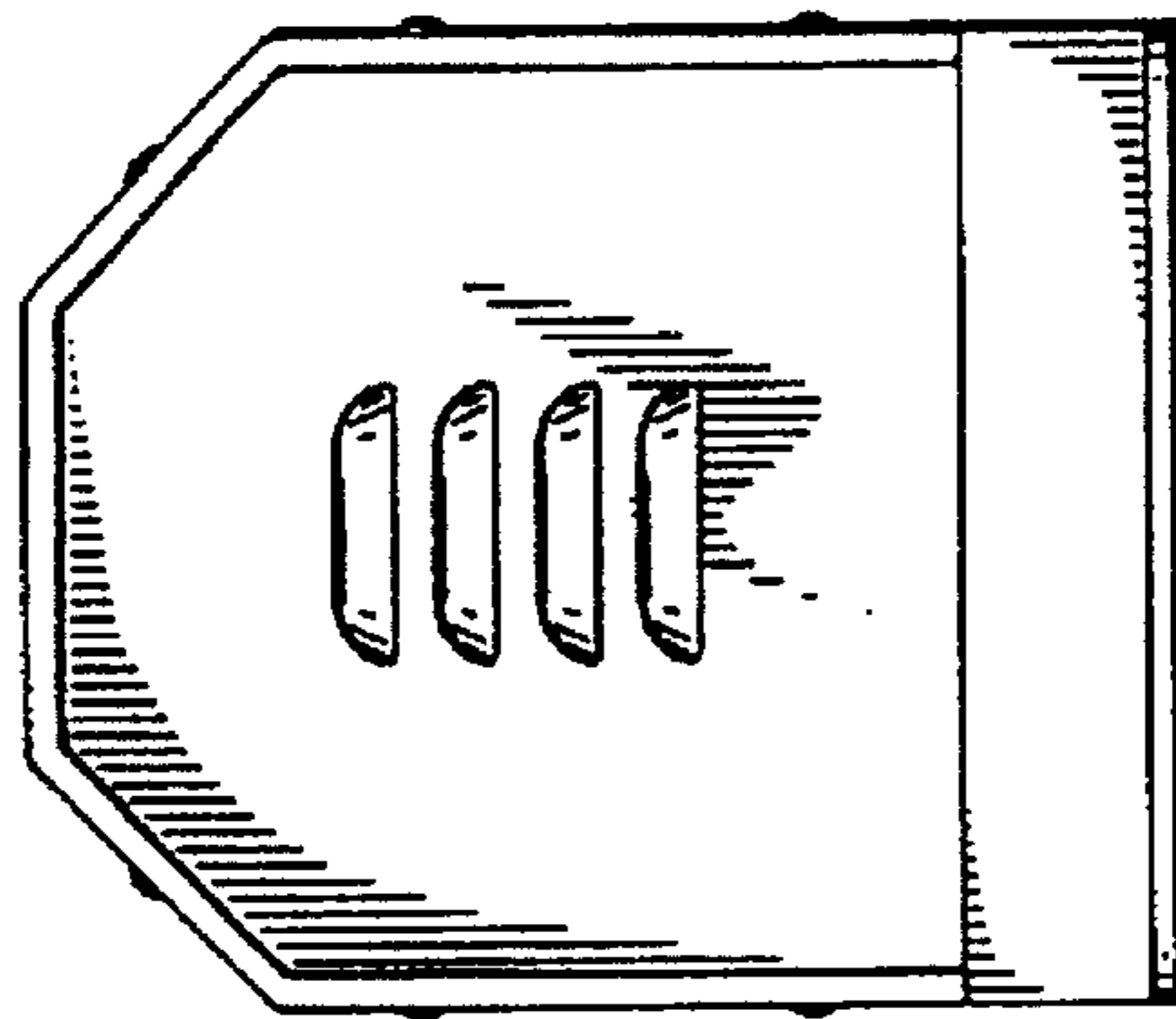


FIG. 7

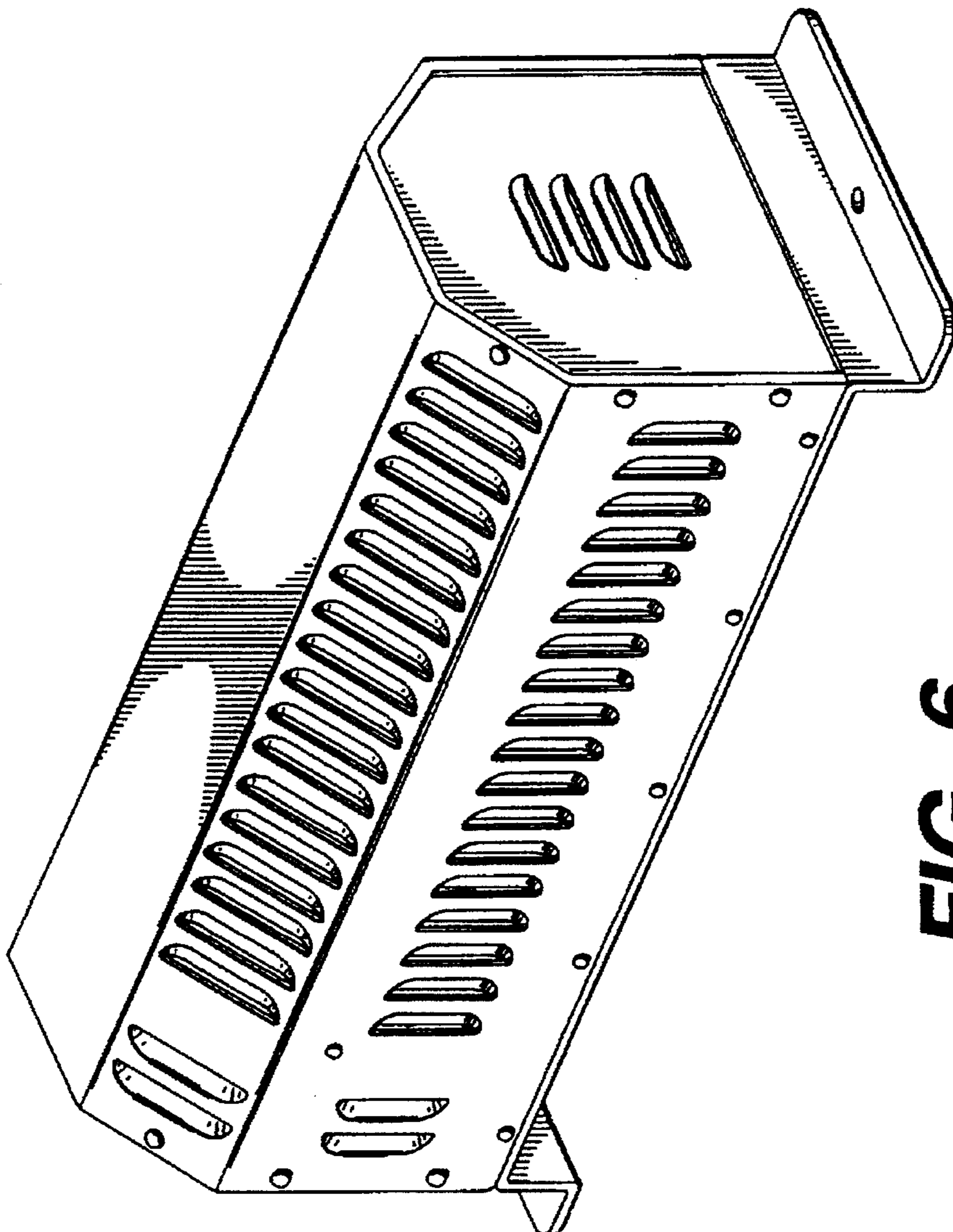


FIG. 6

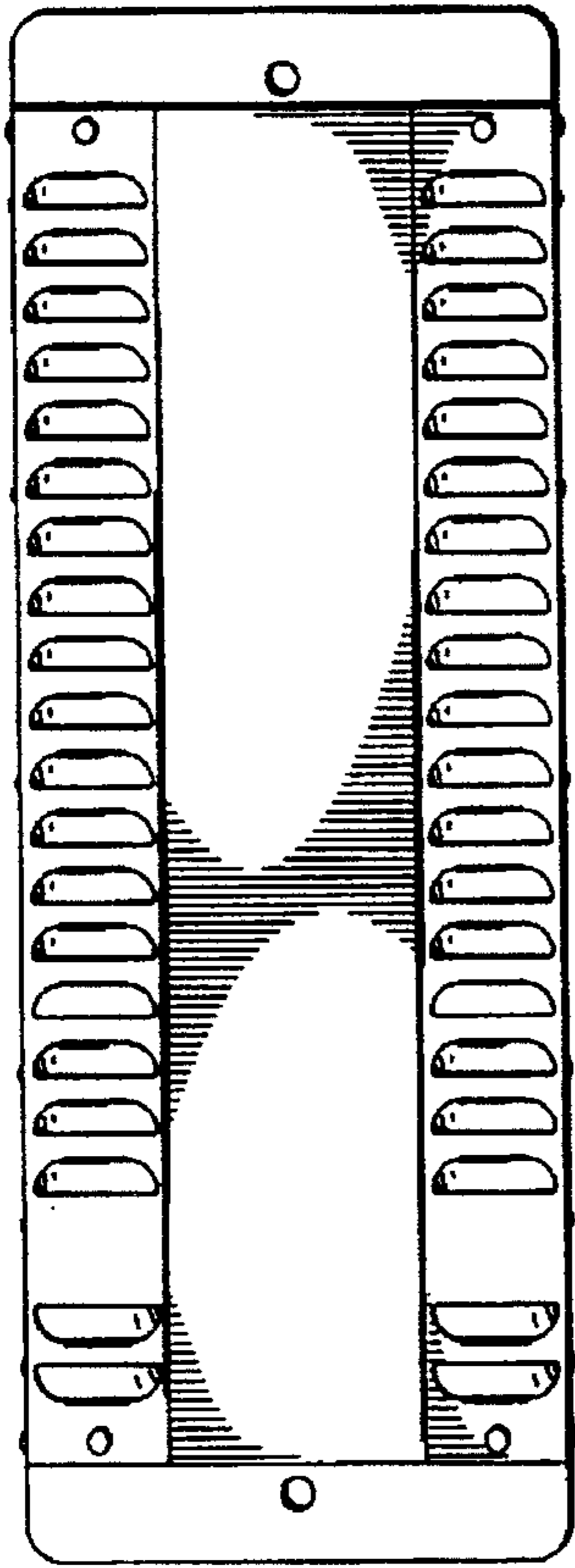


FIG. 8

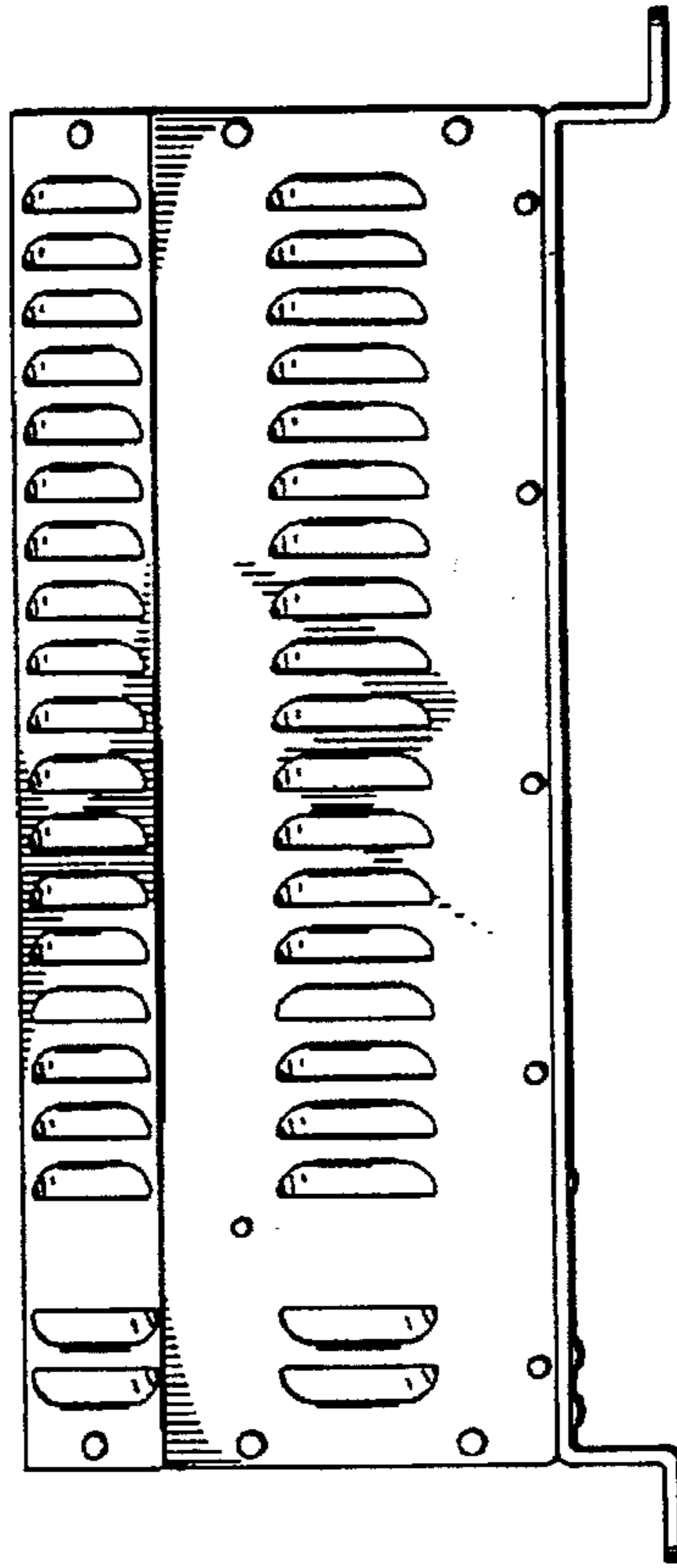


FIG. 9

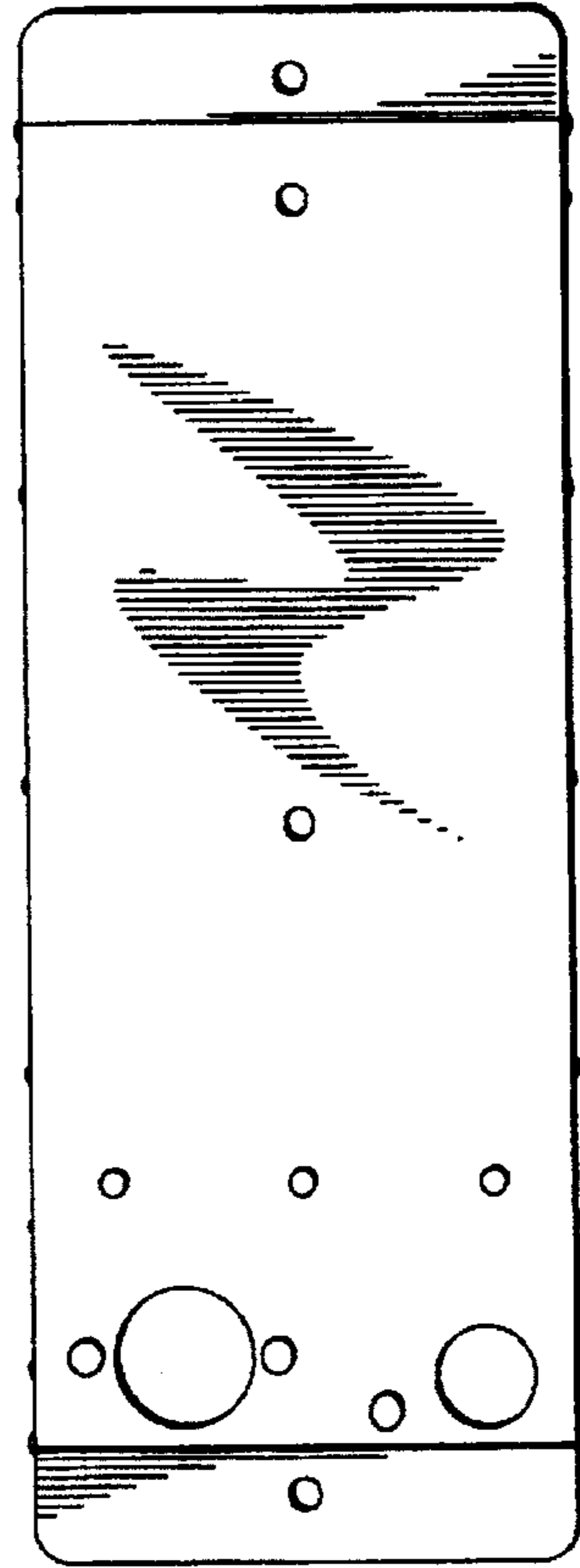


FIG. 10

UNITED STATES PATENT AND TRADEMARK OFFICE
CERTIFICATE OF CORRECTION

PATENT NO. : Des. 382,048

DATED : Aug. 5, 1997

INVENTOR(S) : Oliver L. Bennett

It is certified that error appears in the above-identified patent and said Letters Patent is hereby corrected as shown below:

Cover page, Description after "Fig. 9 is a side view of the marine engine compartment heater of Fig.," change "1" to --6--.

Signed and Sealed this
Twenty-first Day of April, 1998



Attest:

BRUCE LEHMAN

Attesting Officer

Commissioner of Patents and Trademarks