



US00D382046S

# United States Patent [19]

[11] Patent Number: Des. 382,046

Birsel et al.

[45] Date of Patent: \*\*Aug. 5, 1997

## [54] WATER CLOSET

*Attorney, Agent, or Firm*—Finnegan, Henderson, Farabow, Garrett & Dunner, L.L.P.

[75] Inventors: Ayse Birsel, Kitakyushi; Koichi Watanabe, Kitakyushu, both of Japan

## [57] CLAIM

[73] Assignee: Toto Ltd., Fukuoka-Ken, Japan

The ornamental design for a water closet, as shown and described.

[\*\*] Term: 14 Years

## DESCRIPTION

[21] Appl. No.: 41,749

FIG. 1 is a front elevational view of a water closet embodying our design;

[22] Filed: Jul. 24, 1995

FIG. 2 is a top plan view thereof;

## [30] Foreign Application Priority Data

FIG. 3 is a rear elevational view thereof;

Jan. 25, 1995 [JP] Japan ..... 7-1628

FIG. 4 is a bottom plan view thereof;

[51] LOC (6) Cl. .... 23-02

FIG. 5 is a right elevational view thereof, the left elevational view being a mirror image of the right view;

[52] U.S. Cl. .... D23/295

FIG. 6 is a cross-sectional view thereof taken along line 6—6 in FIG. 1;

[58] Field of Search ..... D23/295, 298, D23/299, 300, 301, 351; 4/353, 421, 424, 428, 430

FIG. 7 is a perspective view thereof;

FIG. 8 is a front elevation view of a second embodiment thereof;

## [56] References Cited

### U.S. PATENT DOCUMENTS

|            |         |                    |       |         |
|------------|---------|--------------------|-------|---------|
| D. 275,514 | 9/1984  | Enthoven           | ..... | D23/301 |
| D. 275,598 | 9/1984  | Stairs, Jr.        | ..... | D23/301 |
| D. 310,407 | 9/1990  | Stairs, Jr.        | ..... | D23/301 |
| D. 345,597 | 3/1994  | Kohler, Jr. et al. | ..... | D23/301 |
| D. 352,996 | 11/1994 | Sim                | ..... | D23/301 |

FIG. 9 is a top plan view of the second embodiment;

FIG. 10 is a rear elevational view of the second embodiment;

FIG. 11 is a bottom plan view of the second embodiment;

FIG. 12 is a left elevational view of the second embodiment;

FIG. 13 is a right elevational view of the second embodiment;

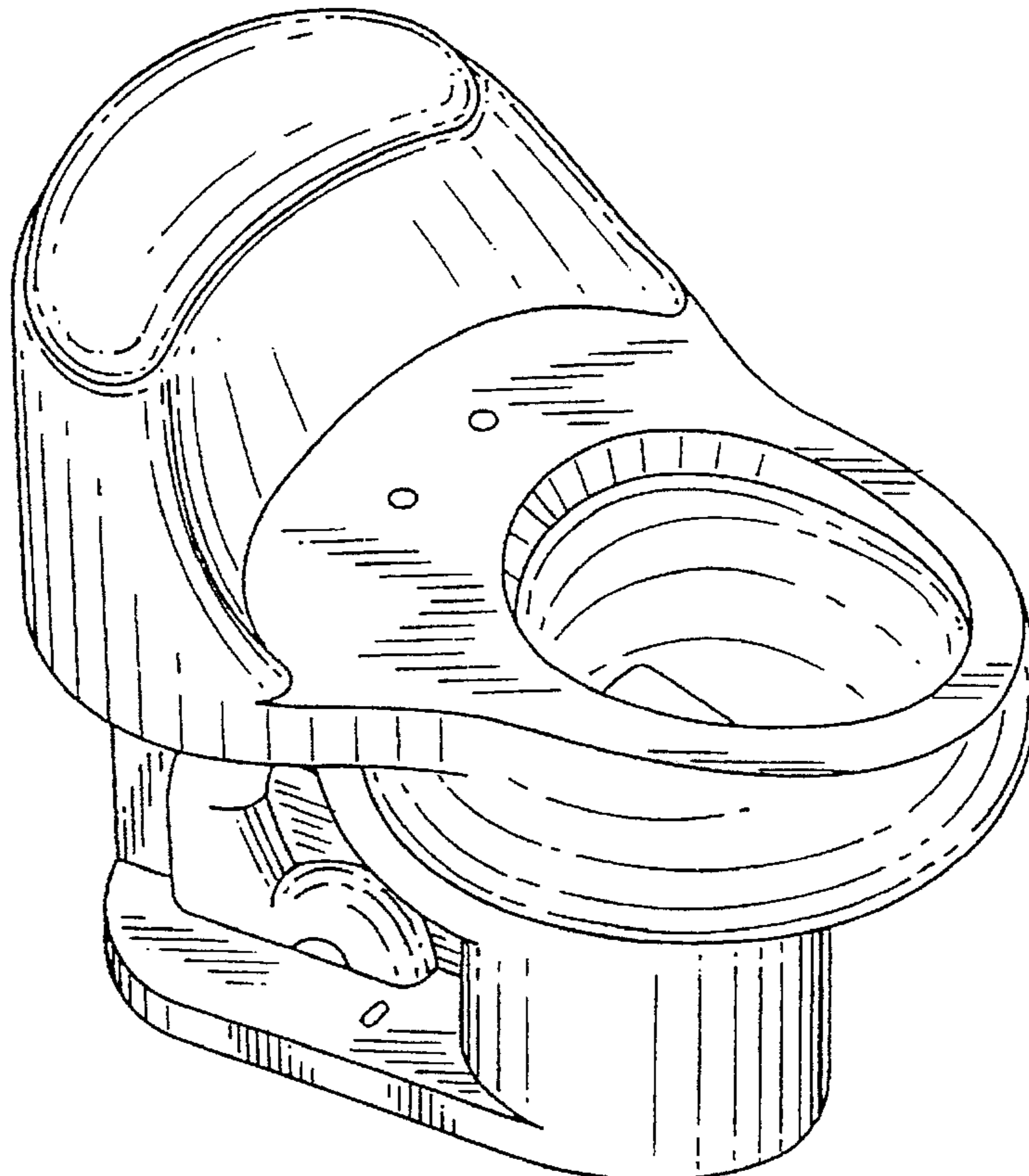
FIG. 14 is a cross-sectional view of the second embodiment taken long line 14—14 of FIG. 8; and,

FIG. 15 is a perspective view of the second embodiment.

*Primary Examiner*—Stella Reid

*Assistant Examiner*—Eric Watterson

1 Claim, 9 Drawing Sheets



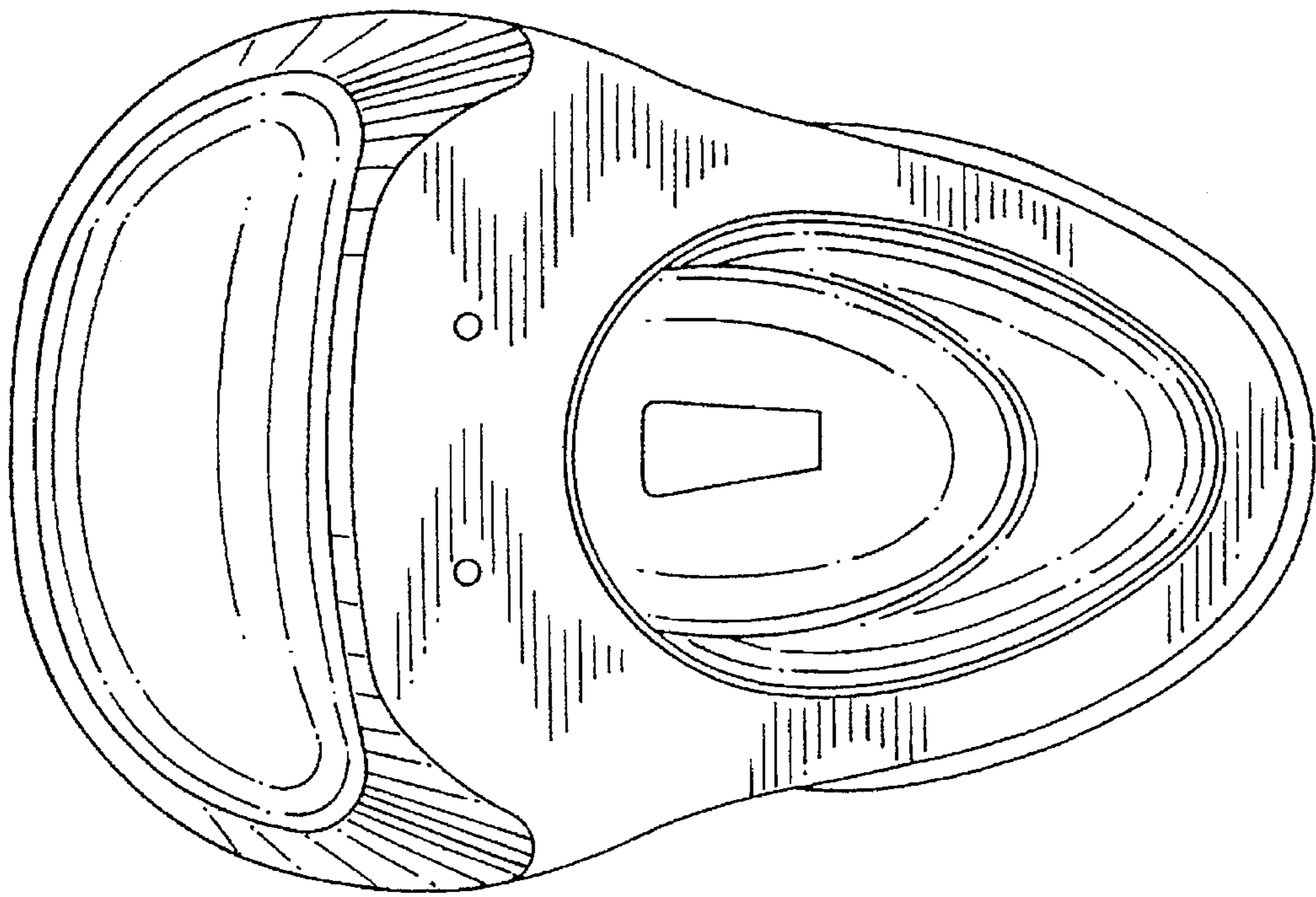


Figure 2

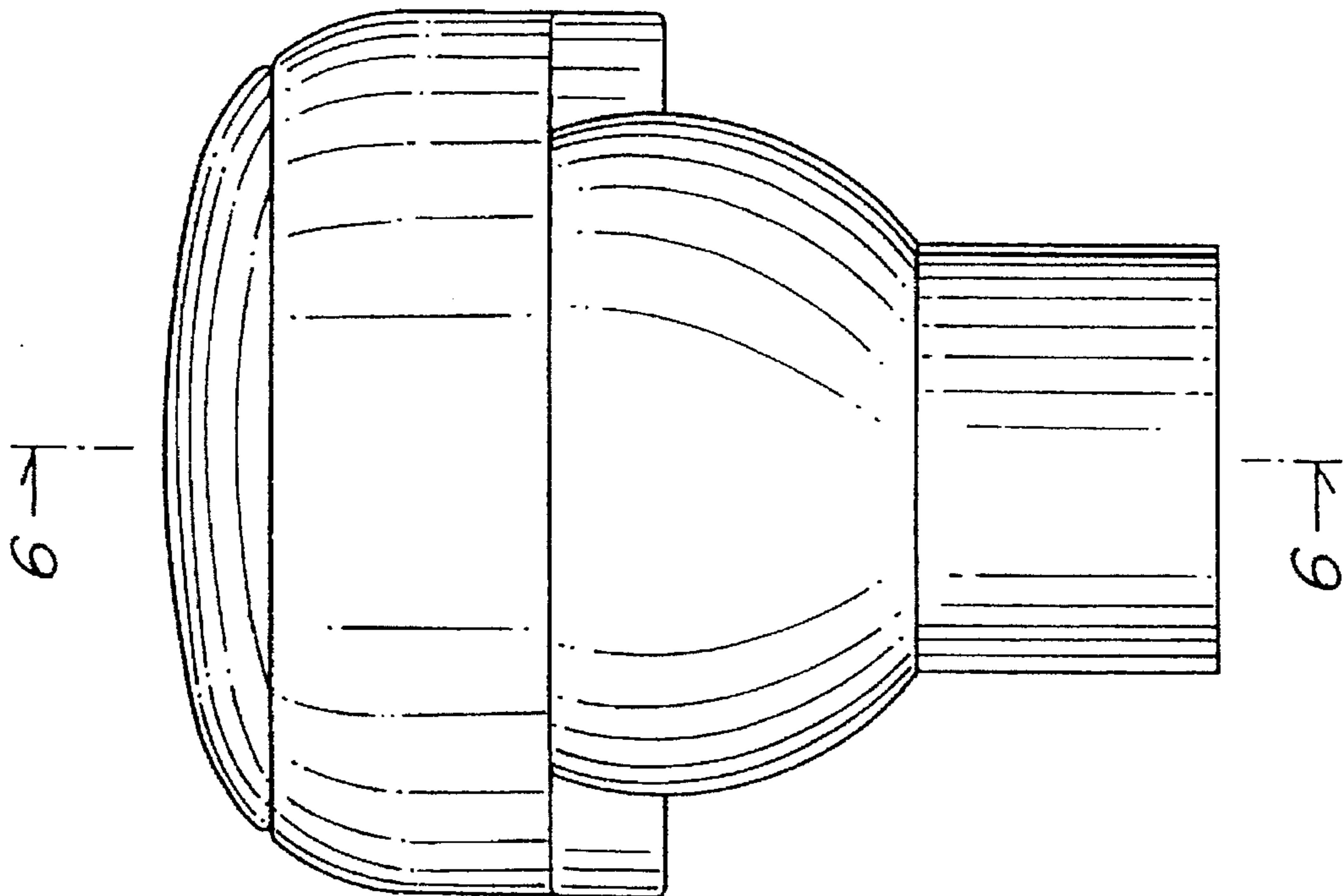


Figure 1

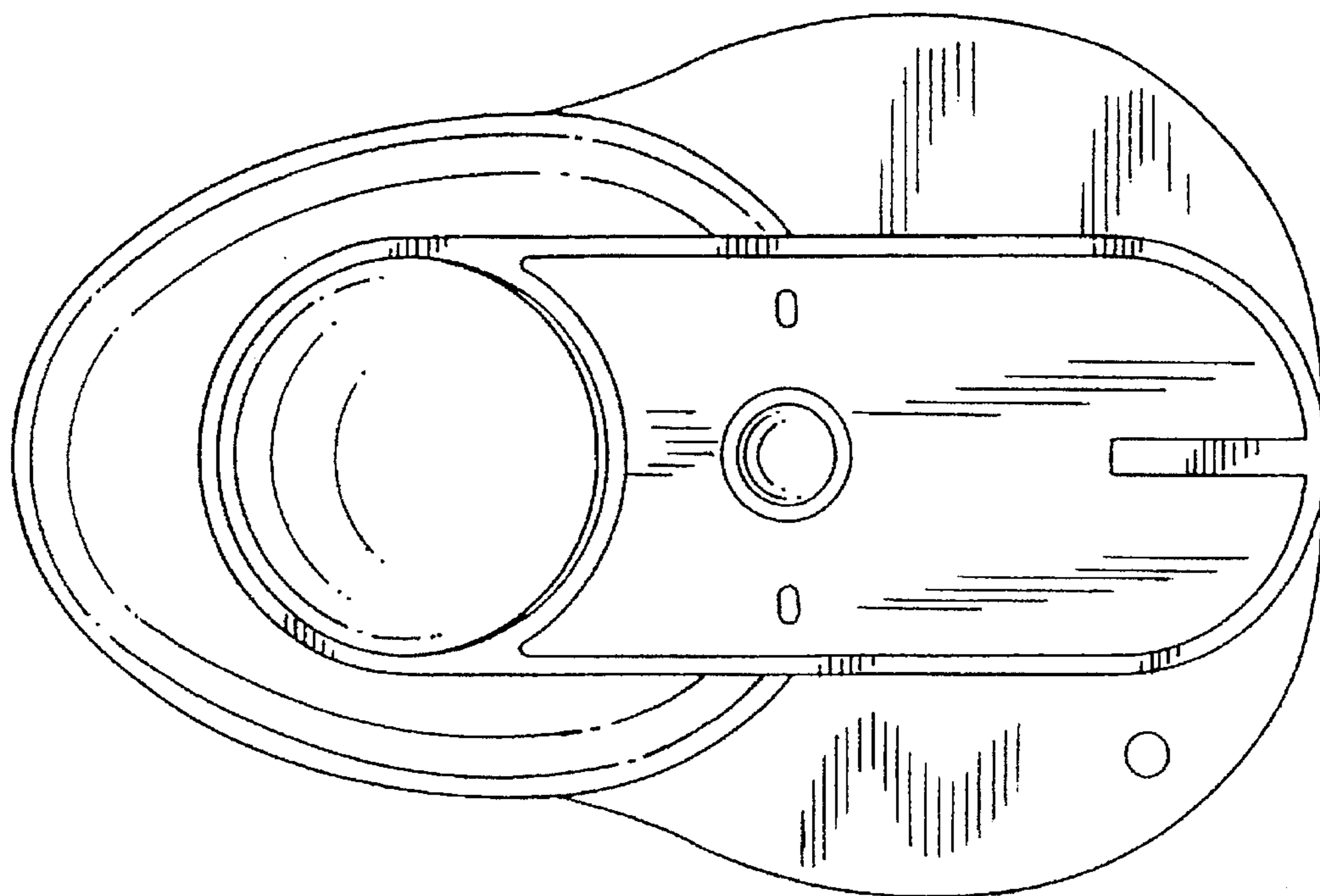


Figure 4

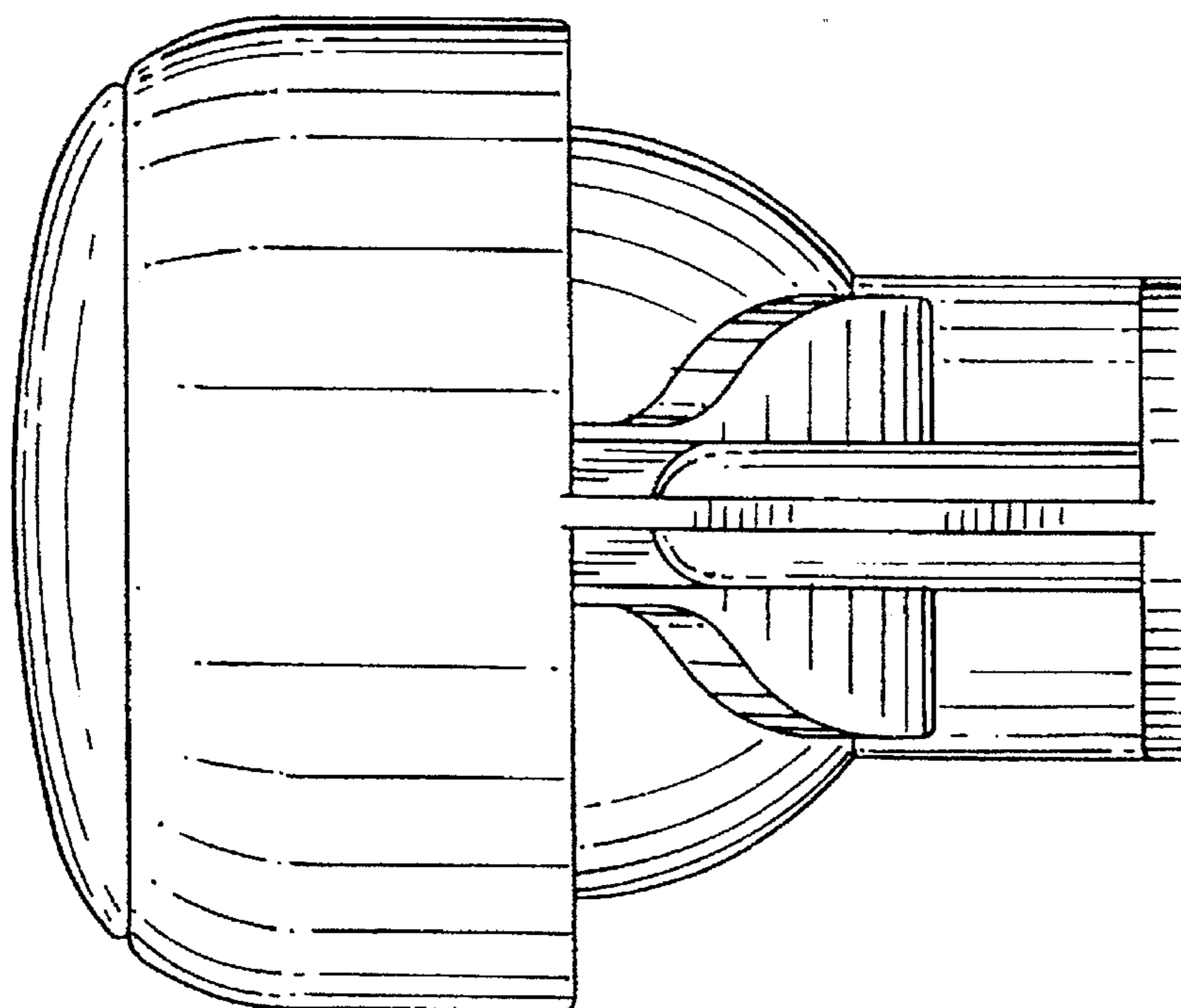


Figure 3



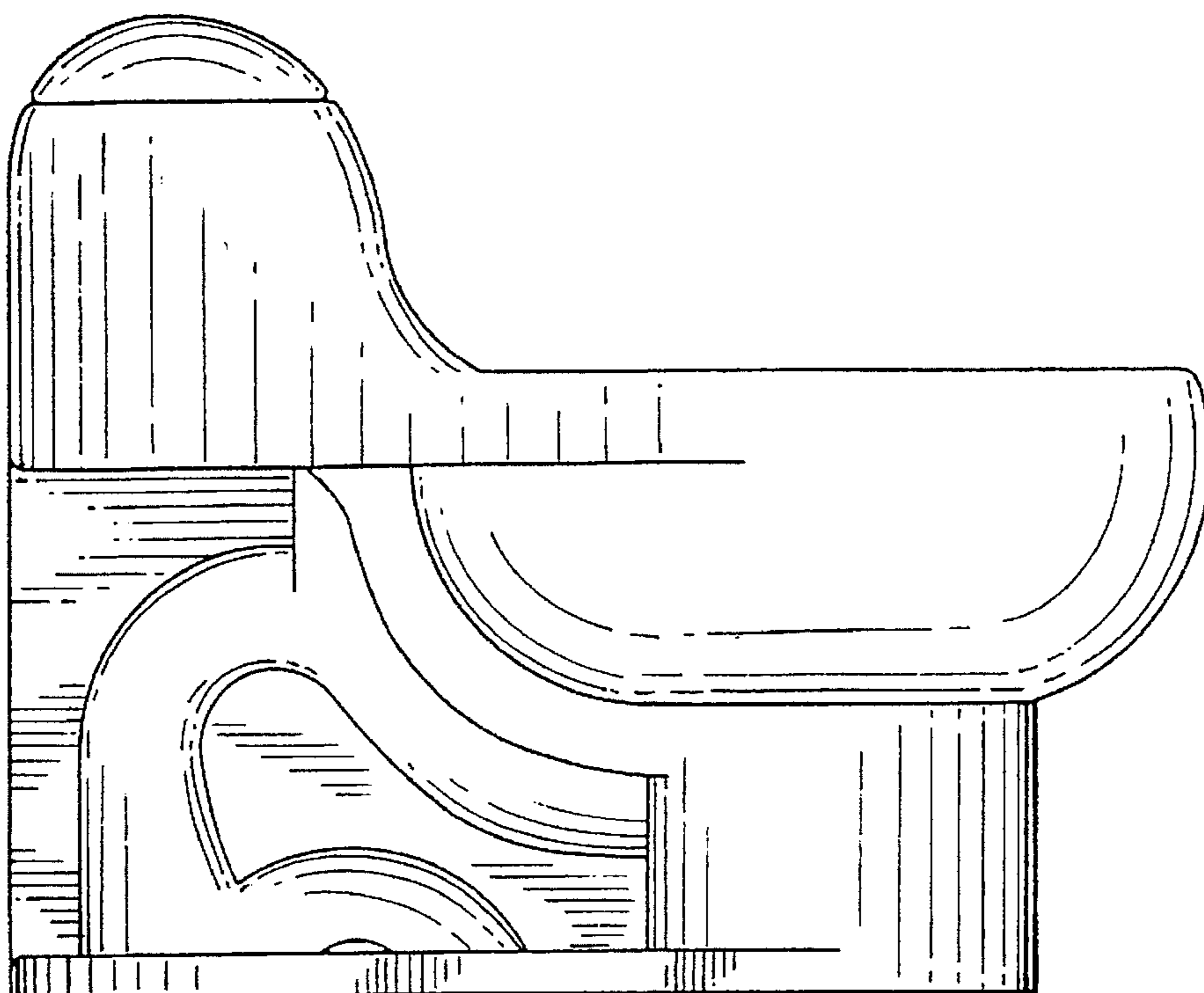


Figure 5

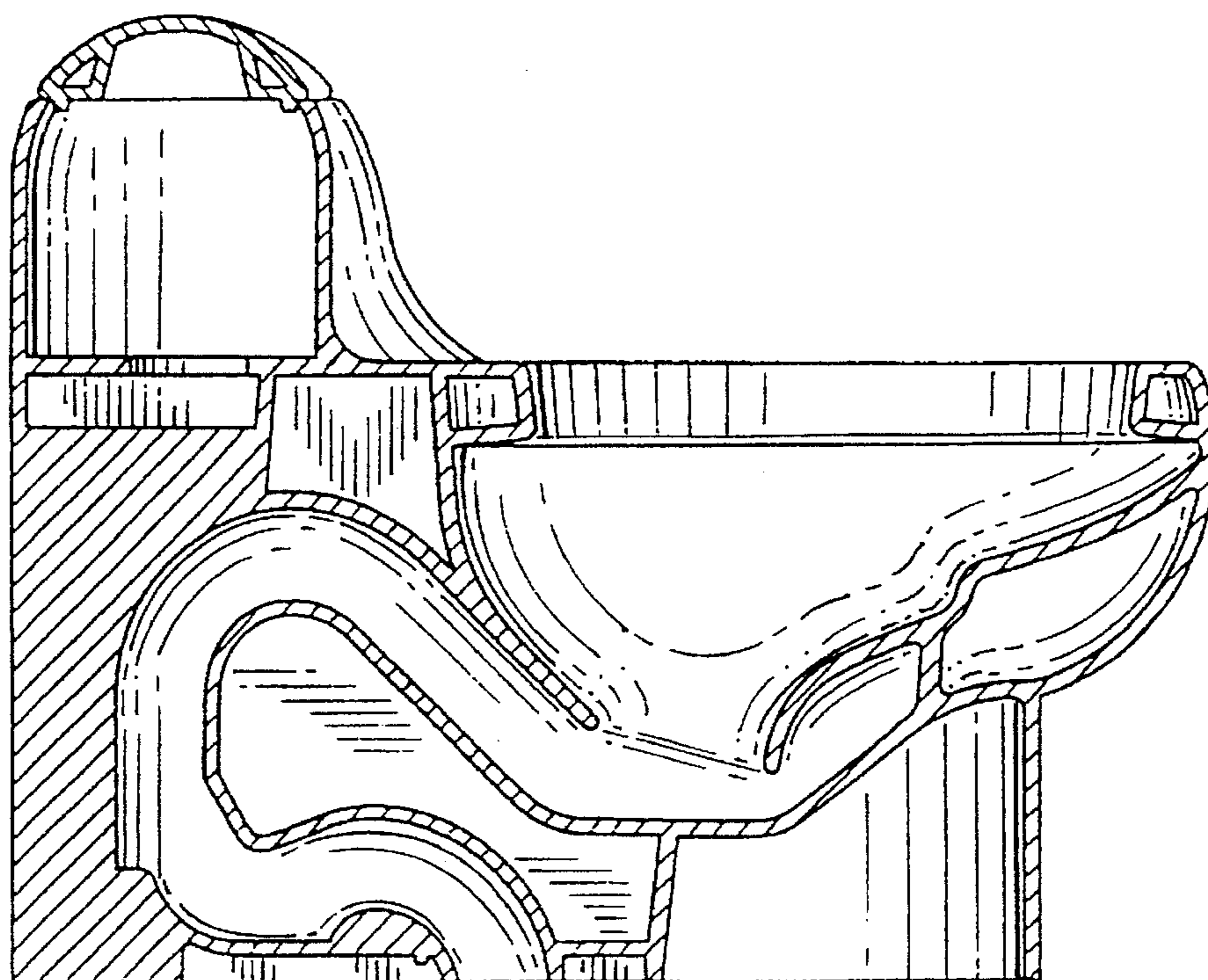


Figure 6

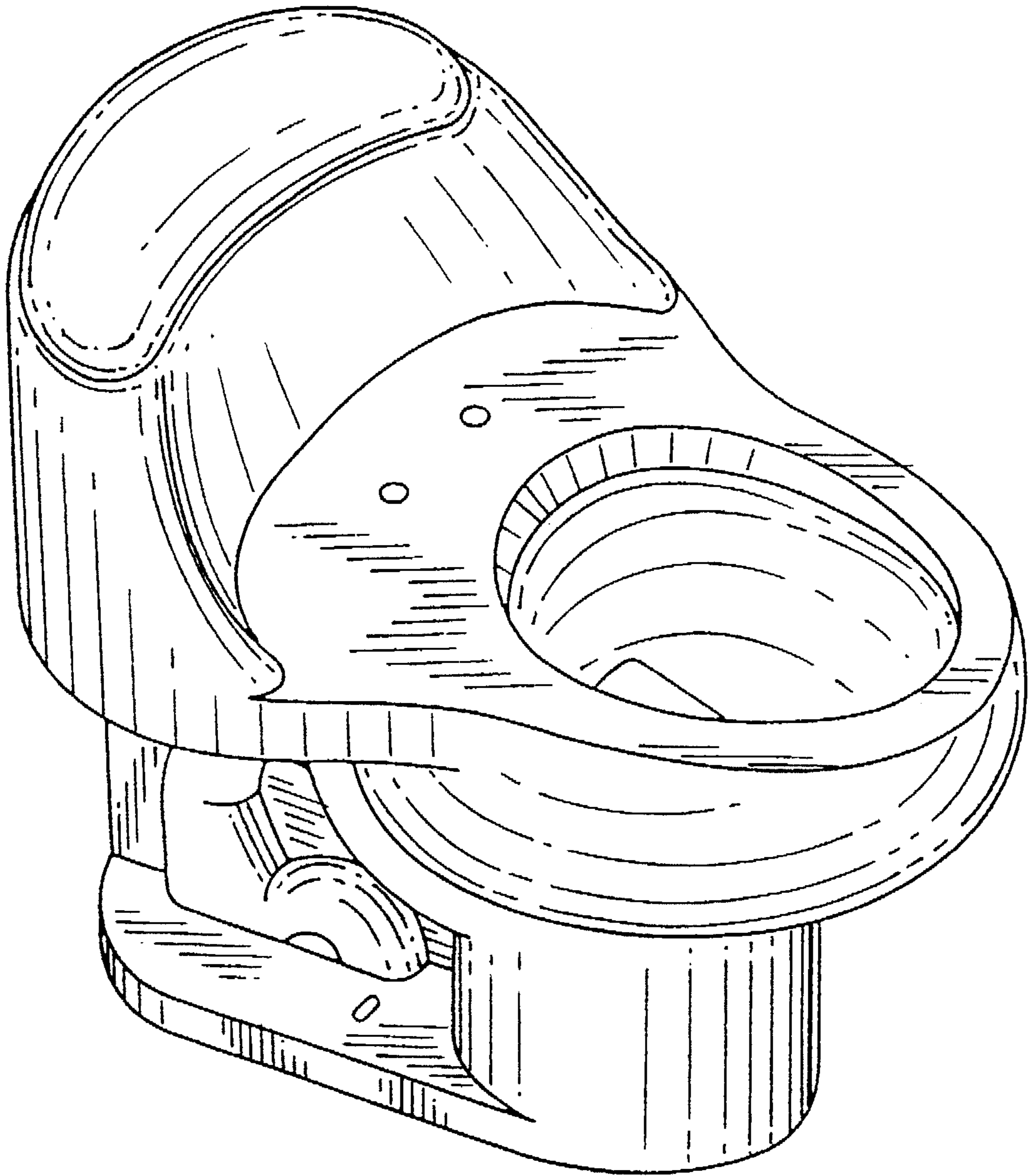


Figure 7

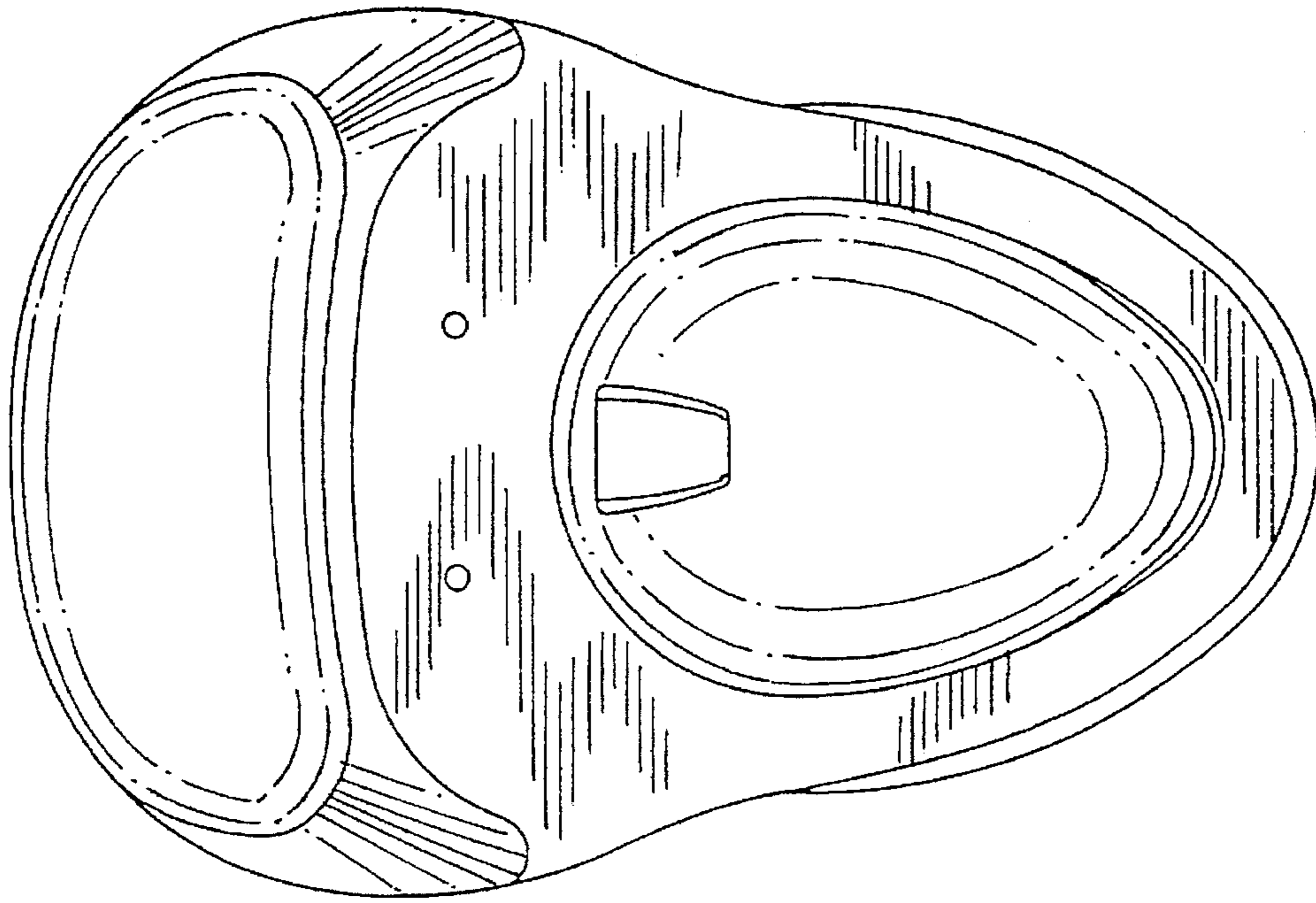


Figure 9

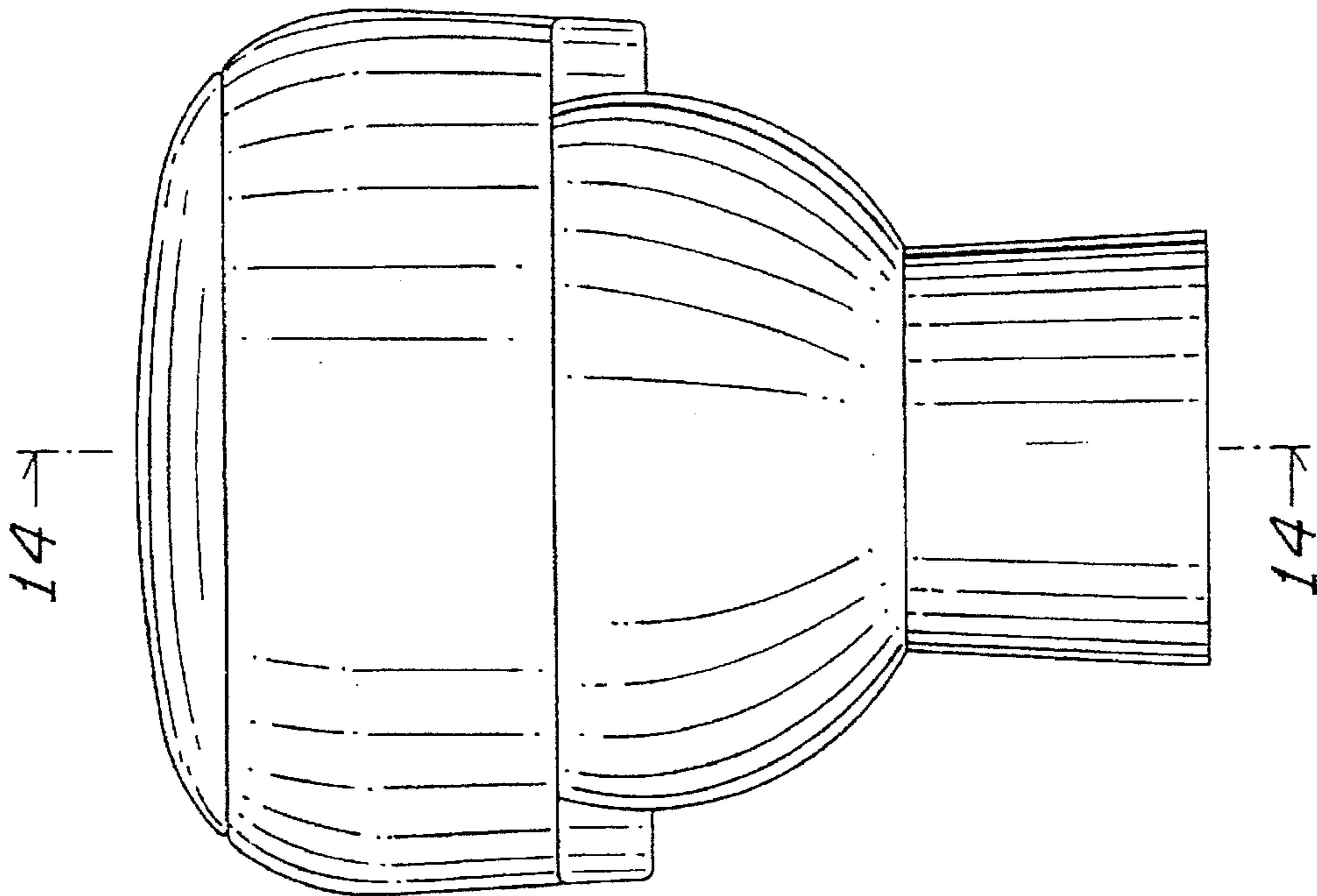


Figure 8

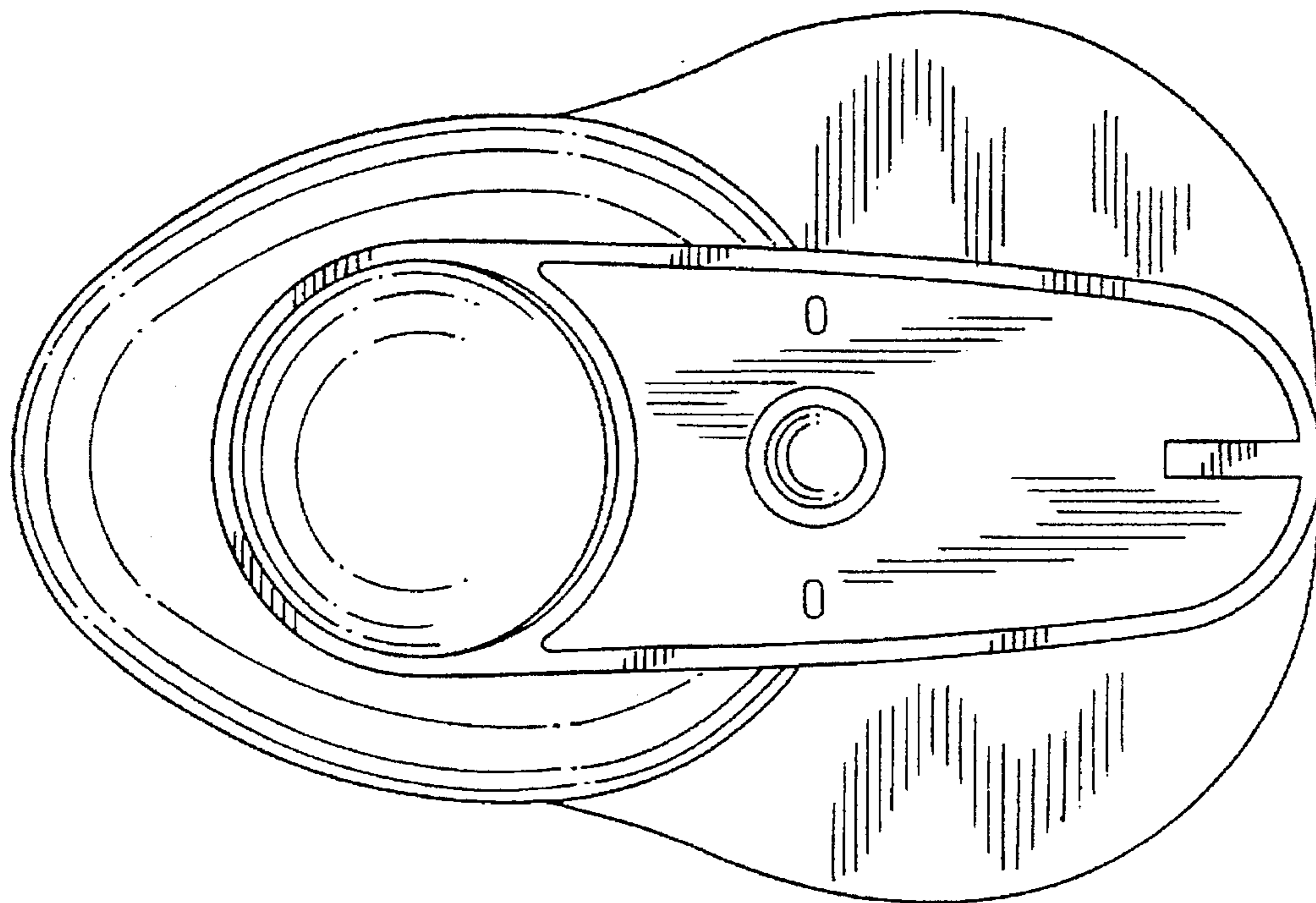


Figure 11

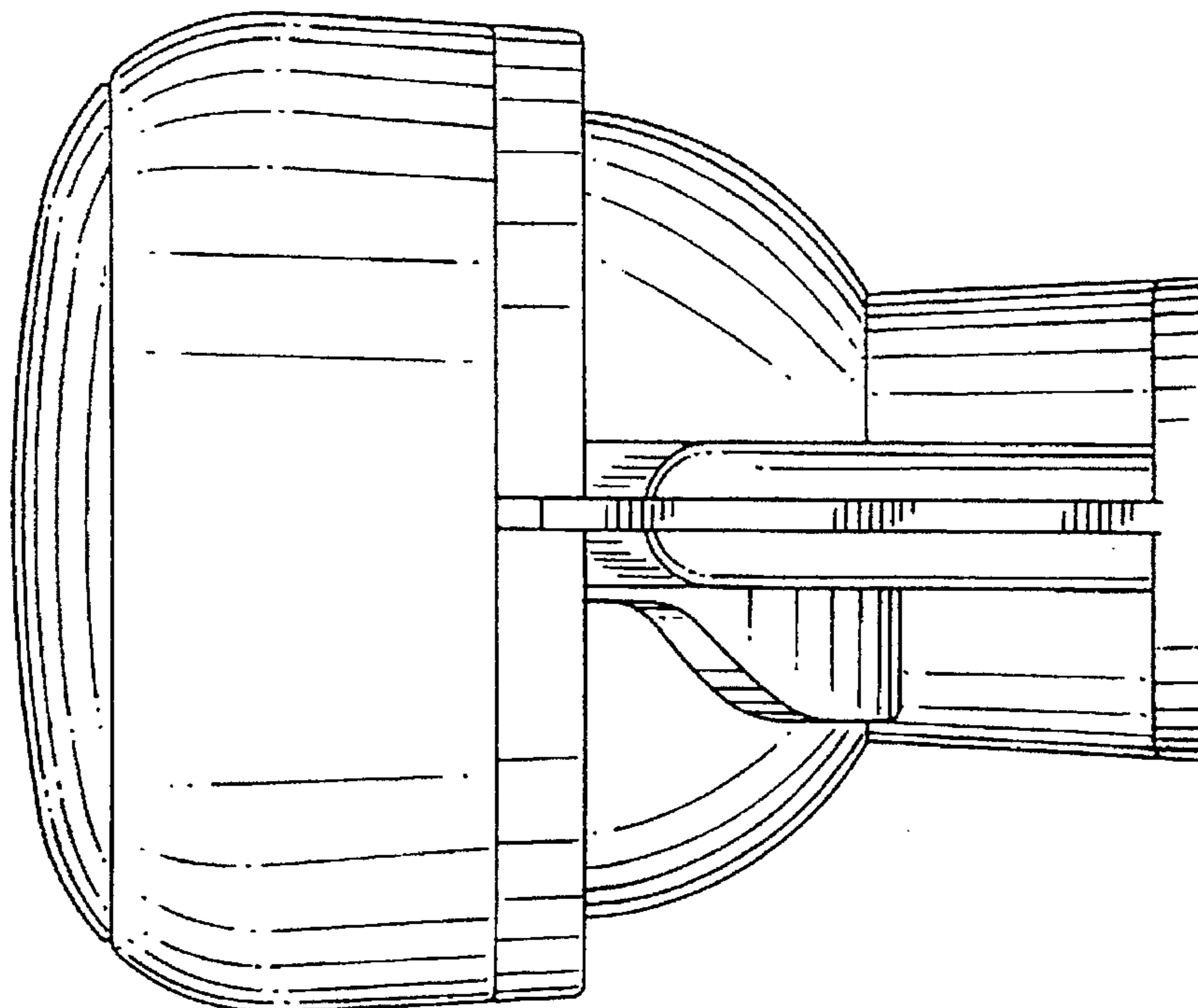


Figure 10



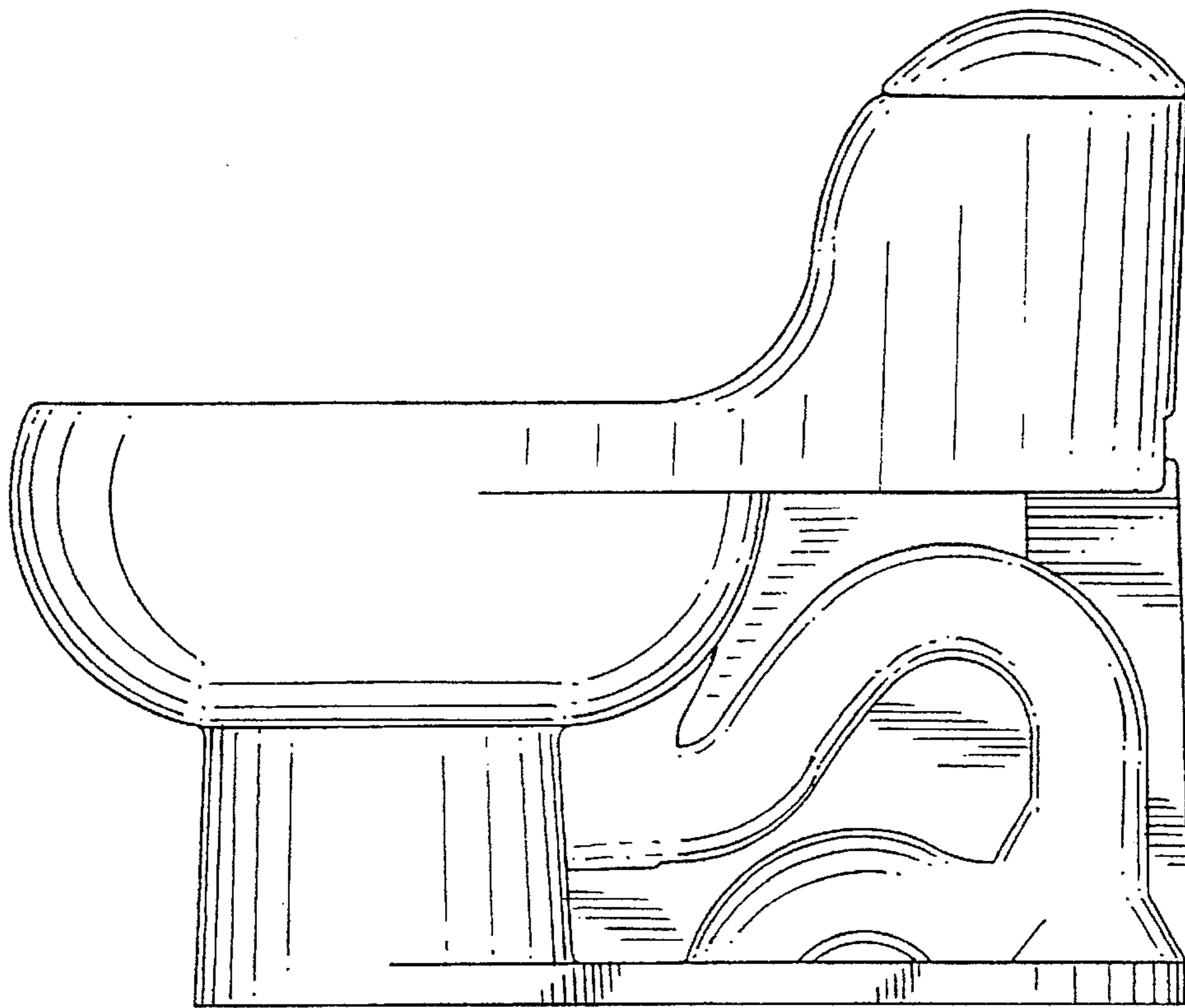


Figure 12

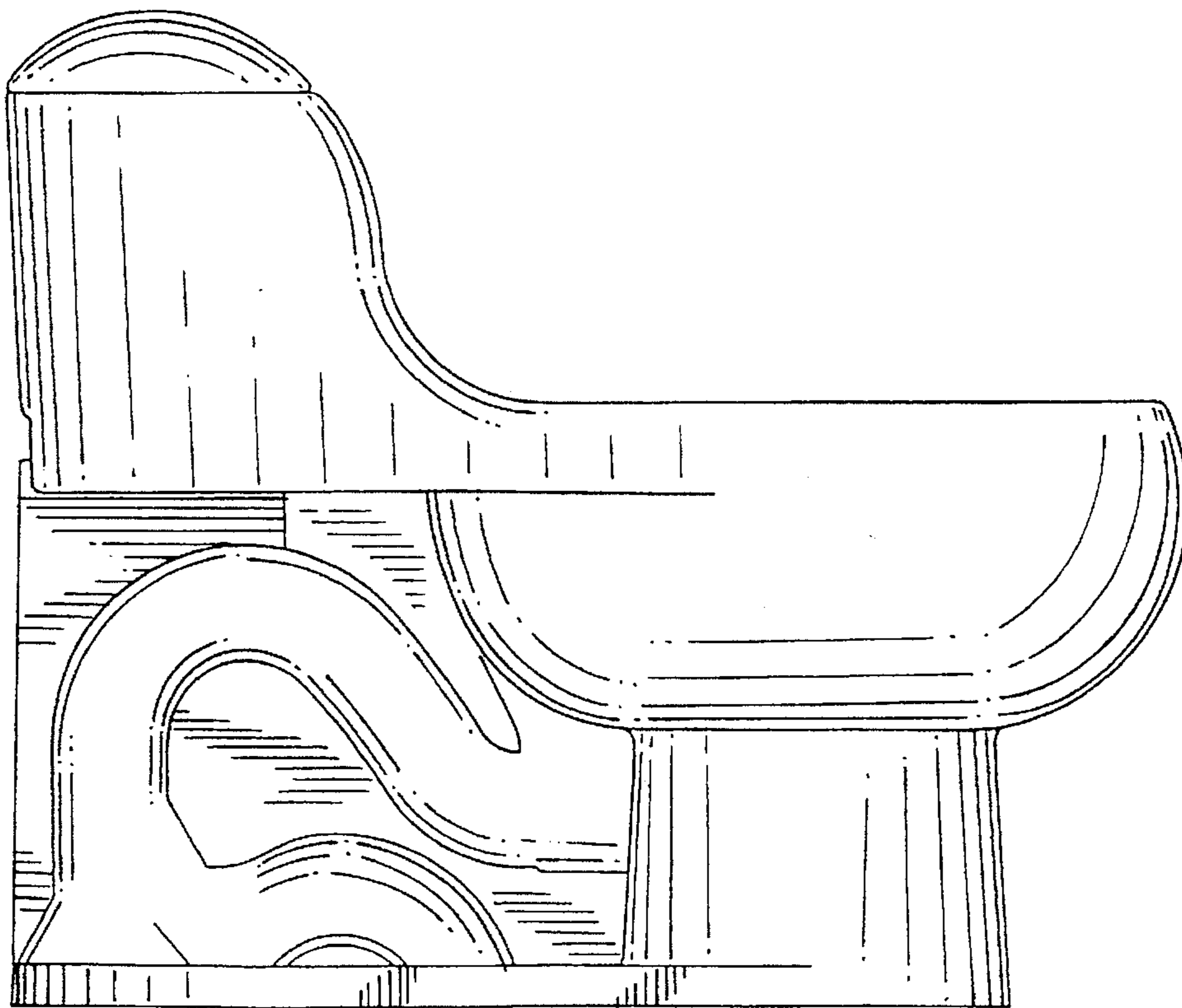


Figure 13



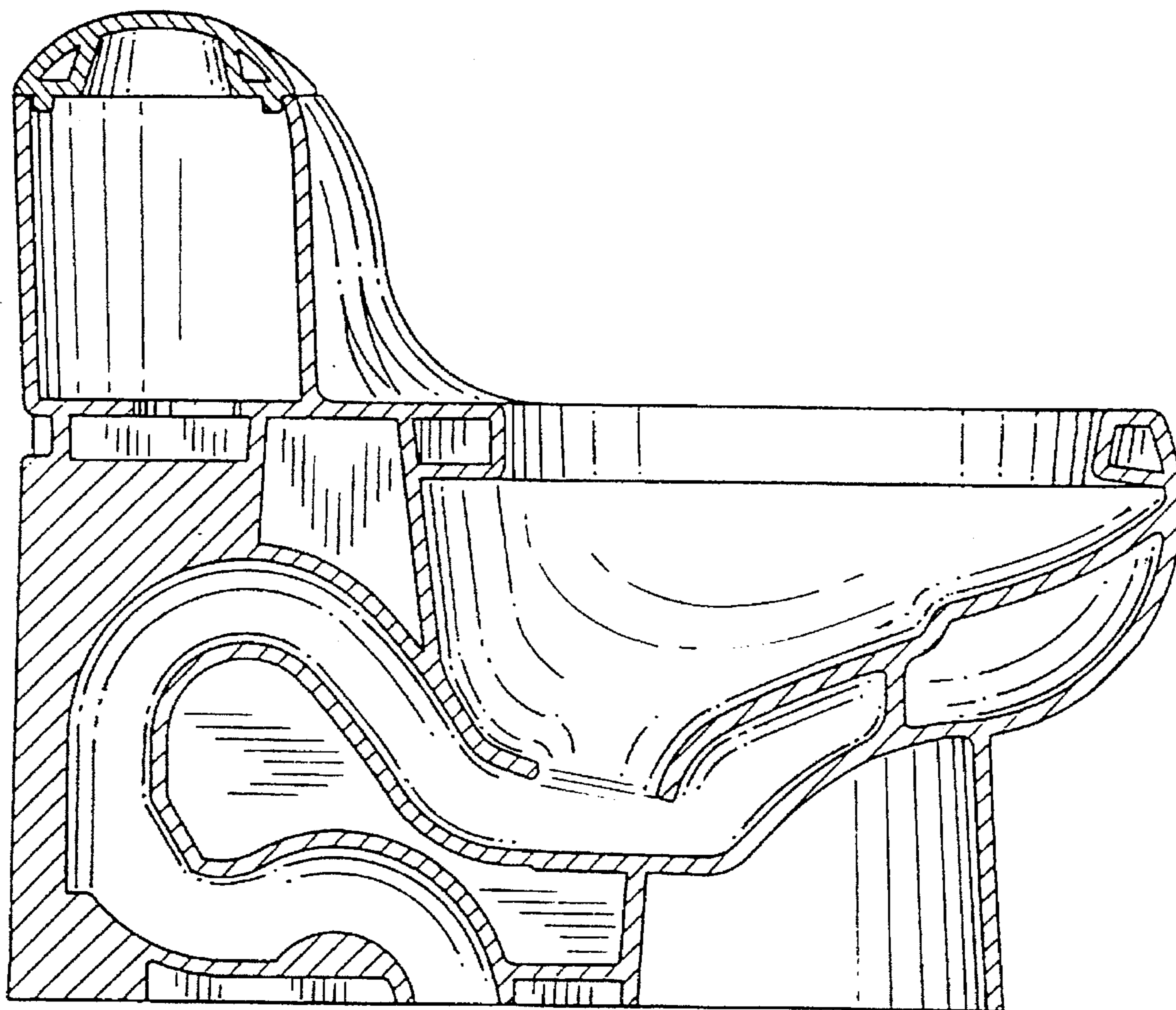


Figure 14

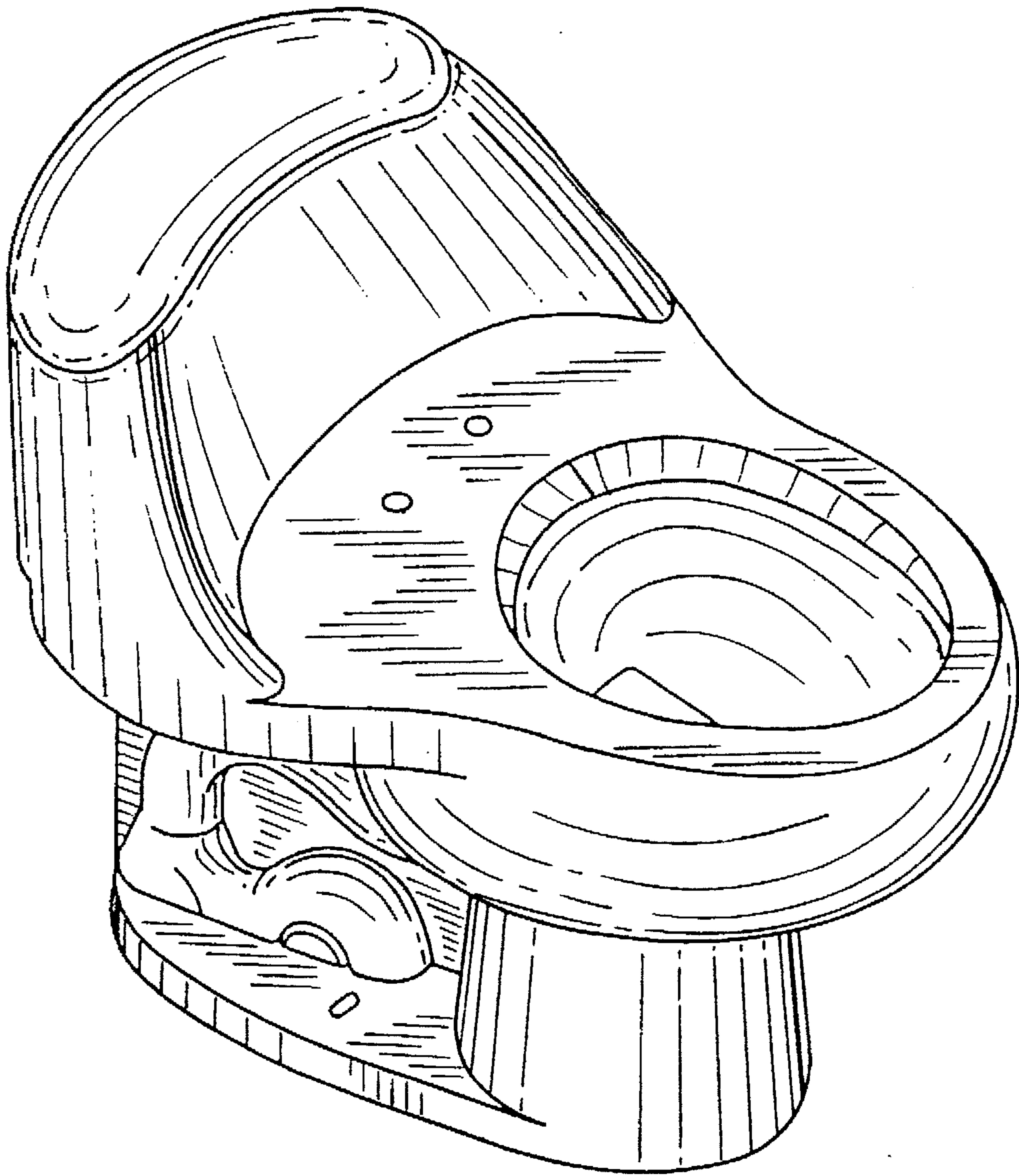


Figure 15