



US00D382044S

# United States Patent [19]

Doughty et al.

[11] Patent Number: **Des. 382,044**

[45] Date of Patent: **\*\*Aug. 5, 1997**

[54] FAUCET

[75] Inventors: **Frederic C. Doughty**, S. Pasadena;  
**Darren M. Mark**, Castaic, both of Calif.

[73] Assignee: **Emhart Inc.**, Newark, Del.

[\*\*] Term: **14 Years**

[21] Appl. No.: **44,385**

[22] Filed: **Sep. 22, 1995**

[51] LOC (6) Cl. .... **23-01**

[52] U.S. Cl. .... **D23/241**

[58] Field of Search ..... D23/238-243,  
D23/250-252; D8/300, 307, 310, 312; 4/675-678;  
137/801

[56] **References Cited**

**U.S. PATENT DOCUMENTS**

- D. 187,846 5/1960 Brown ..... D23/241
- D. 190,791 6/1961 Kohler ..... D23/241
- D. 192,003 12/1961 Young .
- D. 200,042 1/1965 Mackay .
- D. 229,495 12/1973 Landell .

- D. 258,521 3/1981 Thevenot ..... D23/241
- D. 276,645 12/1984 Piesco ..... D23/241
- D. 288,836 3/1987 Yost .
- D. 299,518 1/1989 Yost .
- D. 346,852 5/1994 Hill .

*Primary Examiner*—Louis S. Zarfes  
*Assistant Examiner*—Eric Watterson  
*Attorney, Agent, or Firm*—J. Bruce Hoofnagle

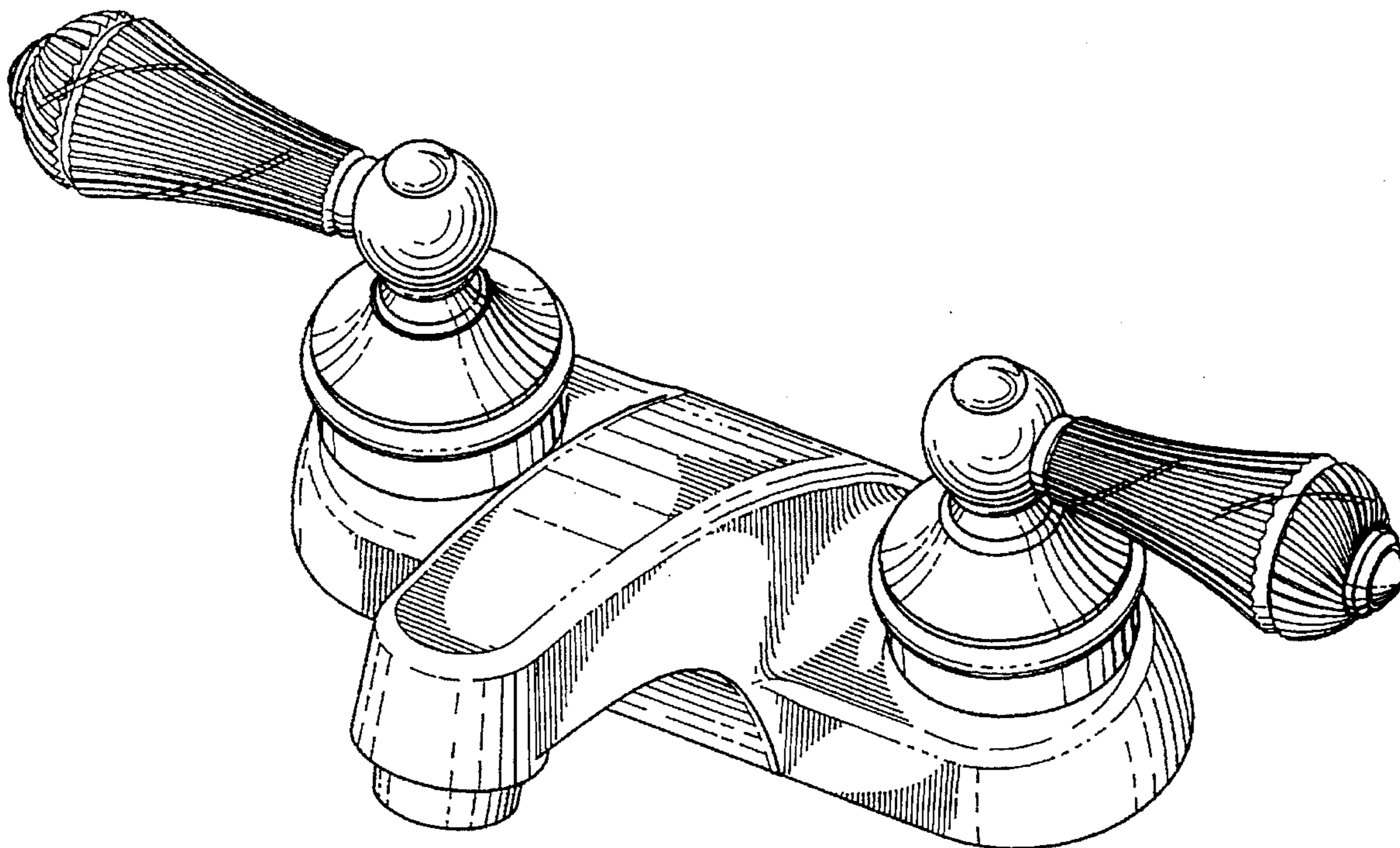
[57] **CLAIM**

The ornamental design for faucet, as shown and described.

**DESCRIPTION**

FIG. 1 is a perspective view of our new design of a faucet;  
FIG. 2 is a front elevational view of our new design of the faucet;  
FIG. 3 is a rear elevational view of our new design of the faucet;  
FIG. 4 is a right side elevational view of our new design of the faucet, a left side elevational view thereof being a mirror image of the right side elevational thereof;  
FIG. 5 is a top plan view of our new design of the faucet; and,  
FIG. 6 is a bottom plan view of our new design of the faucet.

**1 Claim, 5 Drawing Sheets**



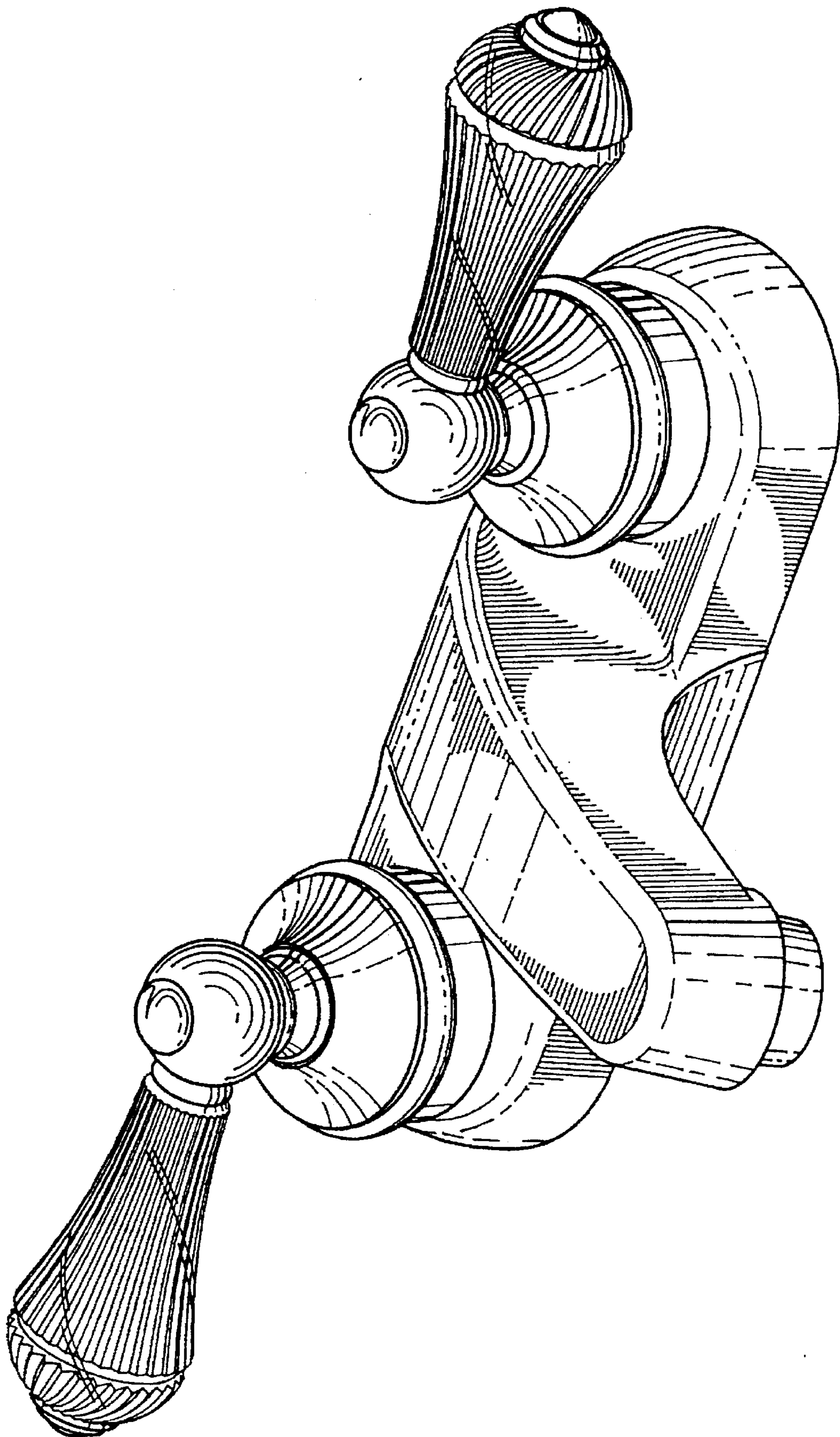


FIG. 1



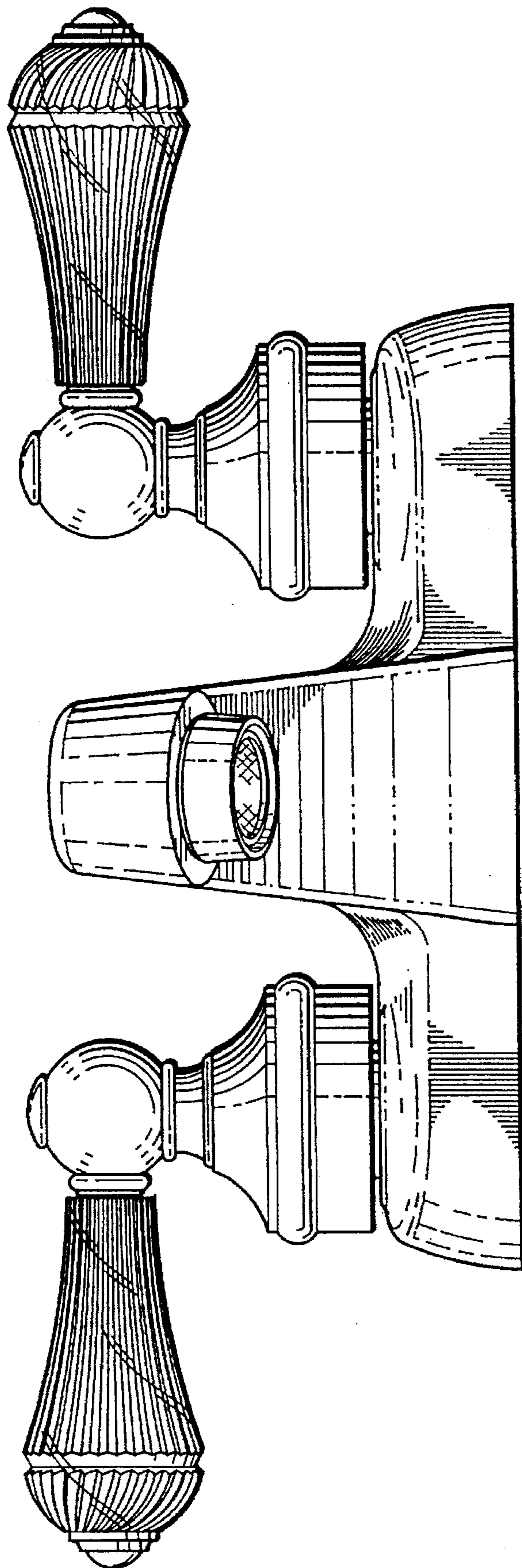


FIG. 2

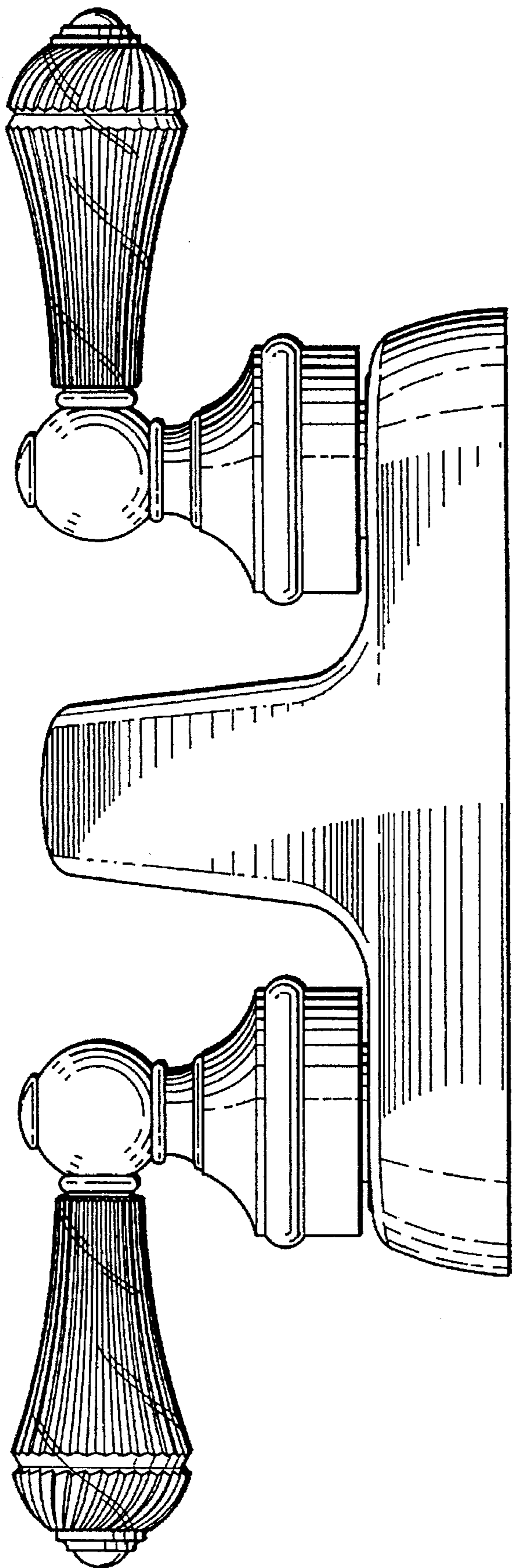


FIG. 3

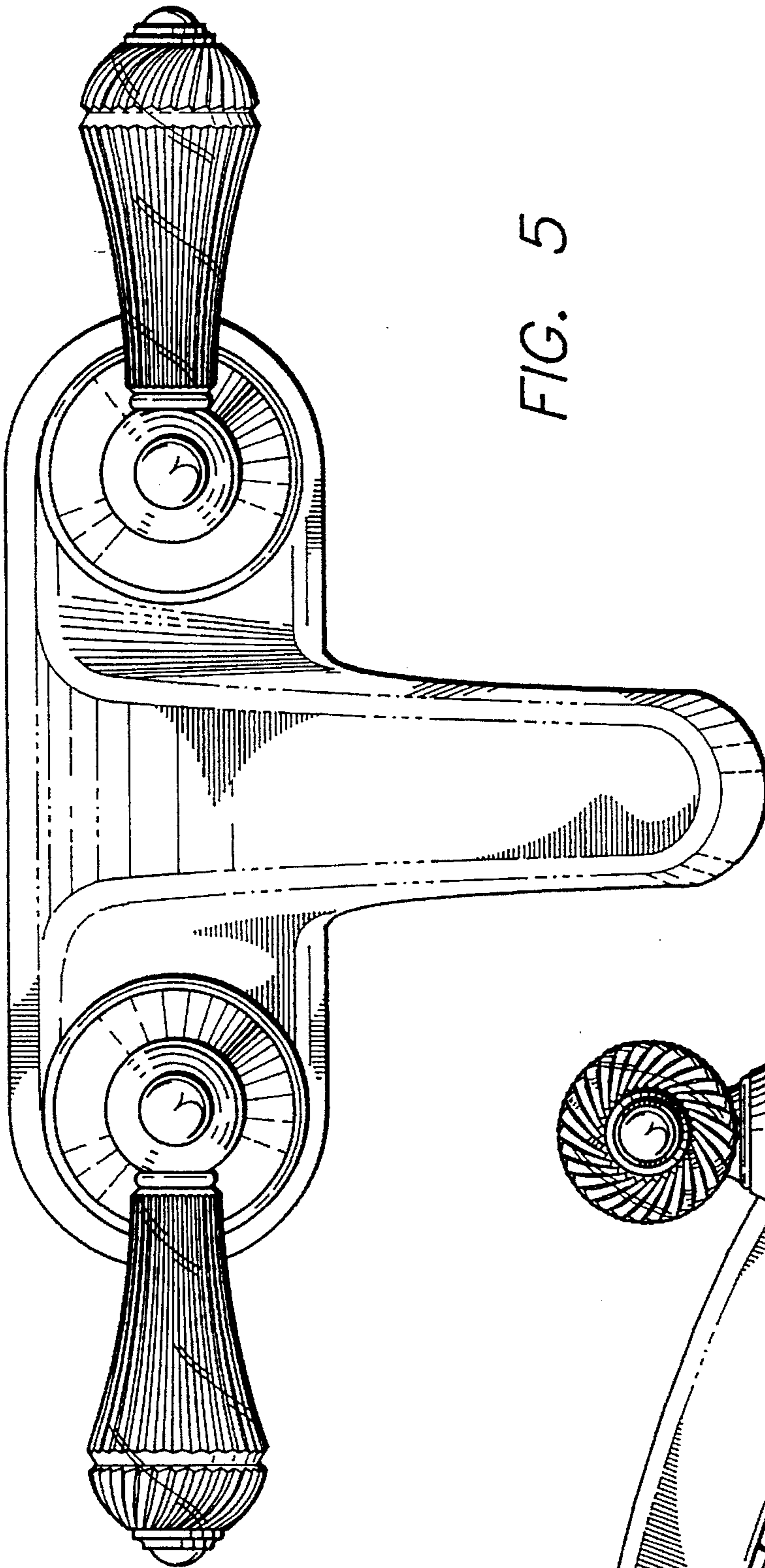


FIG. 5

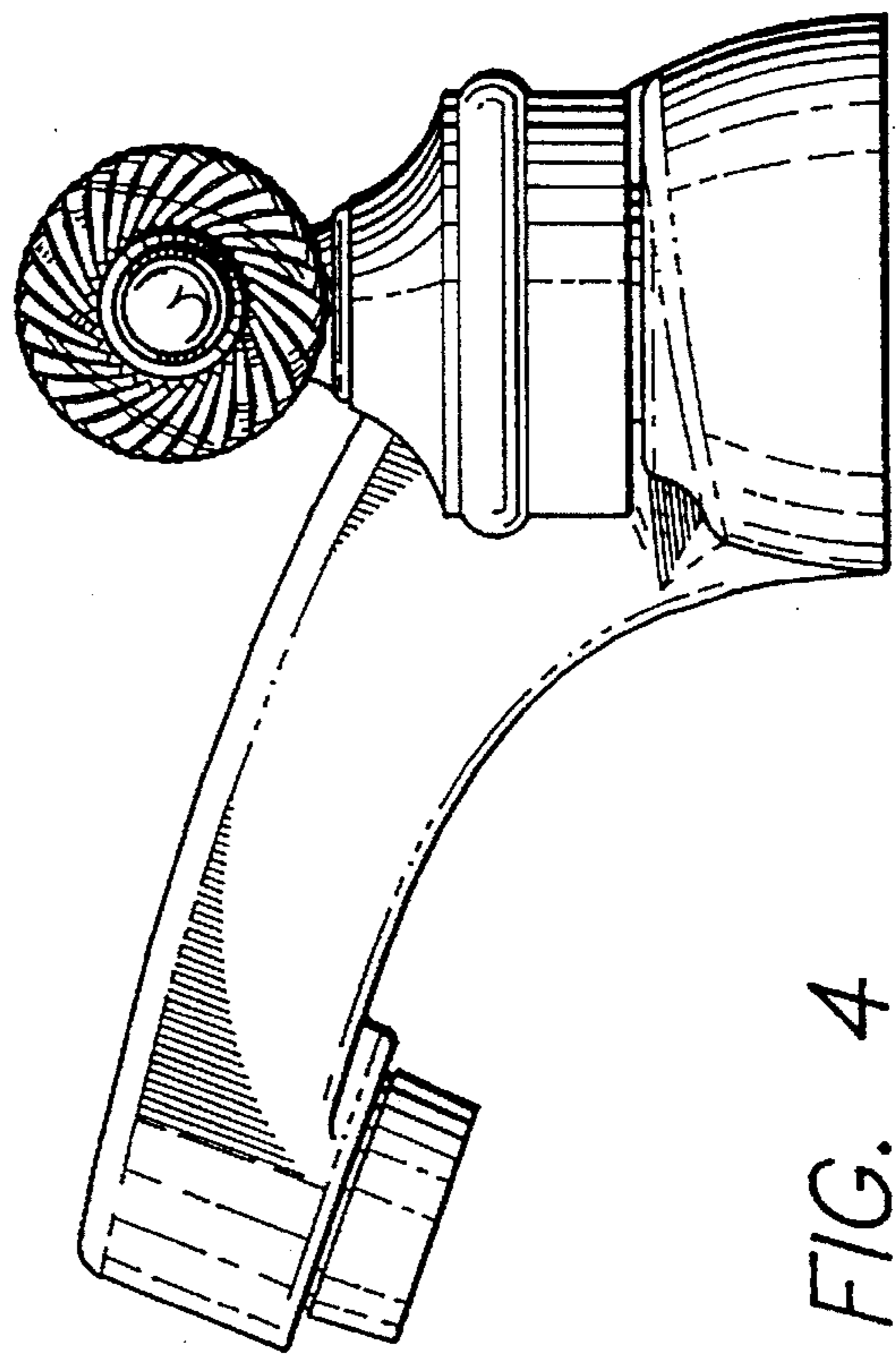


FIG. 4

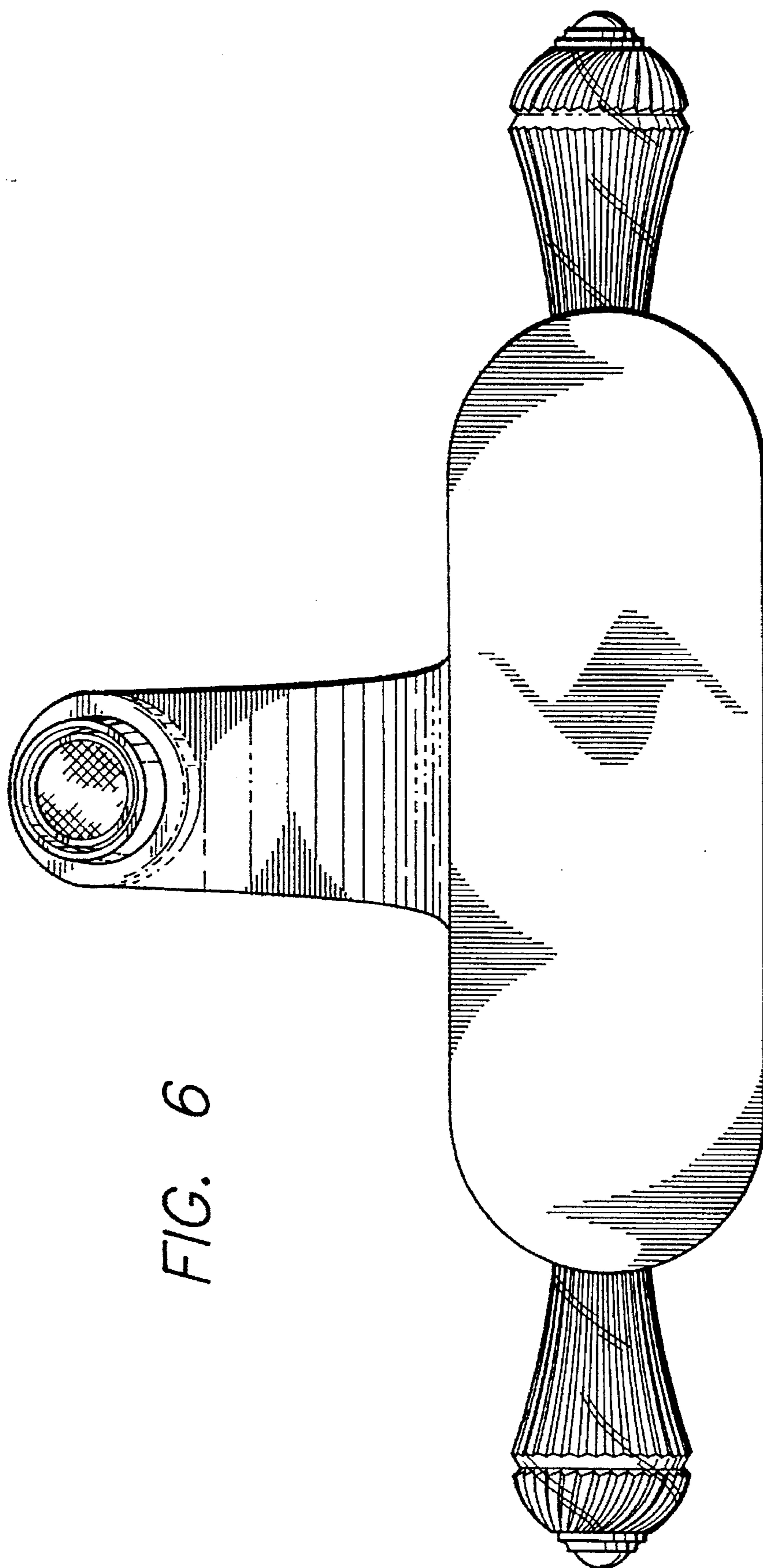


FIG. 6