



US00D382043S

# United States Patent [19]

Wang

[11] Patent Number: **Des. 382,043**

[45] Date of Patent: **\*\*Aug. 5, 1997**

[54] FAUCET

[76] Inventor: **Wen-Mu Wang**, No. 32, Lane 266, Fu Te I Rd., Hsi Tze Chen, Taipei Hsien, Taiwan

[\*\*] Term: **14 Years**

[21] Appl. No.: **55,234**

[22] Filed: **Jun. 3, 1996**

[51] LOC (6) Cl. .... **23-01**

[52] U.S. Cl. .... **D23/238**

[58] Field of Search ..... D23/238-243, D23/249-255; 4/675-678; 137/801

[56] **References Cited**

**U.S. PATENT DOCUMENTS**

- D. 350,389 9/1994 Gottwald ..... D23/238
- D. 355,243 2/1995 Chen ..... D23/238

- D. 355,706 2/1995 Chretien ..... D23/238
- D. 358,866 5/1995 Haug et al. .... D23/238

*Primary Examiner*—Stella Reid  
*Assistant Examiner*—Eric Watterson  
*Attorney, Agent, or Firm*—Varndell Legal Group

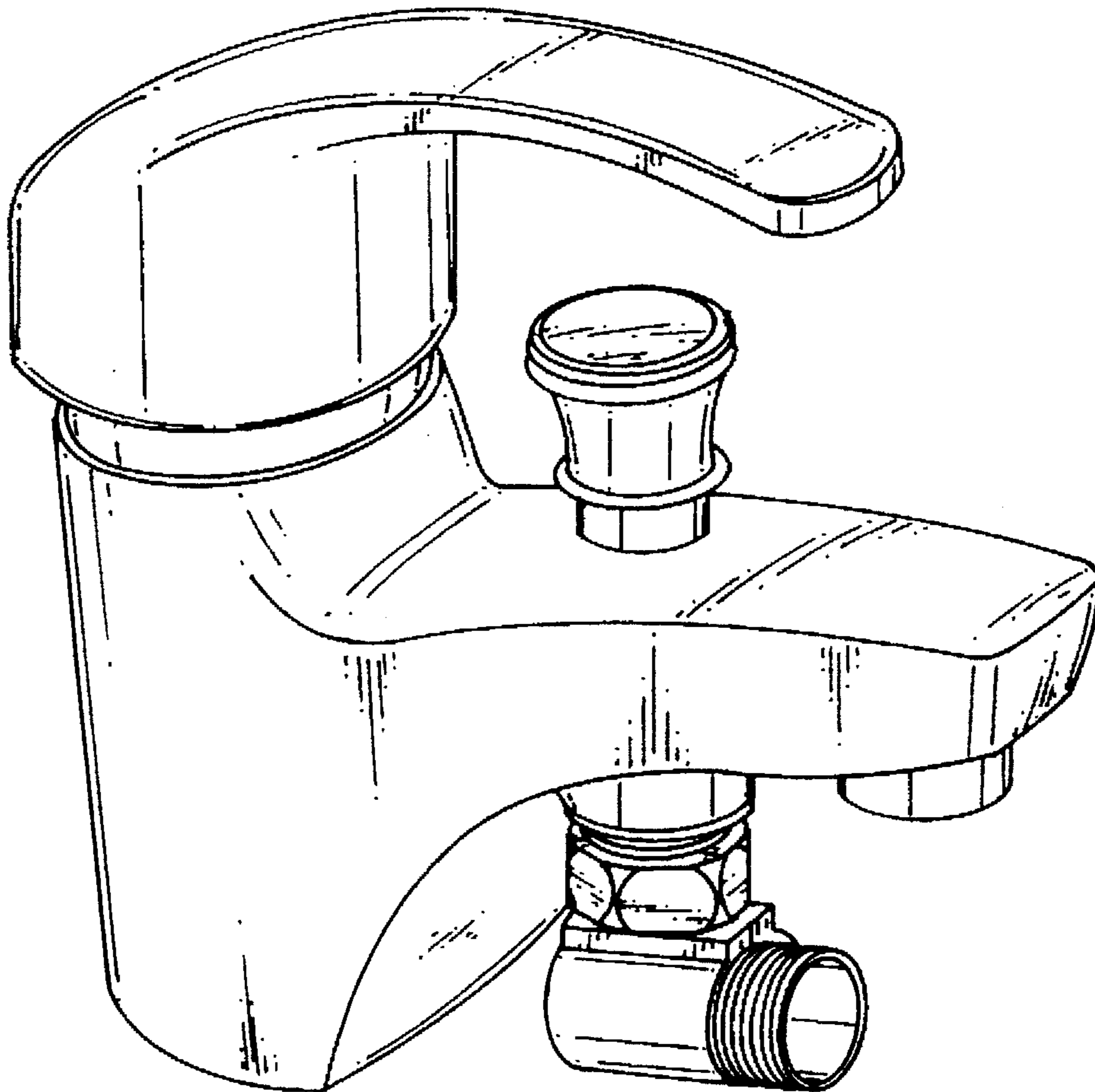
[57] **CLAIM**

The ornamental design for faucet, as shown and described.

**DESCRIPTION**

FIG. 1 is a perspective view of a faucet showing my new design;  
FIG. 2 is a front elevational view thereof;  
FIG. 3 is a rear elevational view thereof;  
FIG. 4 is a side elevational view thereof, the opposite side being a mirror image of that shown;  
FIG. 5 is a top plan view thereof; and,  
FIG. 6 is a bottom plan view thereof.

**1 Claim, 6 Drawing Sheets**



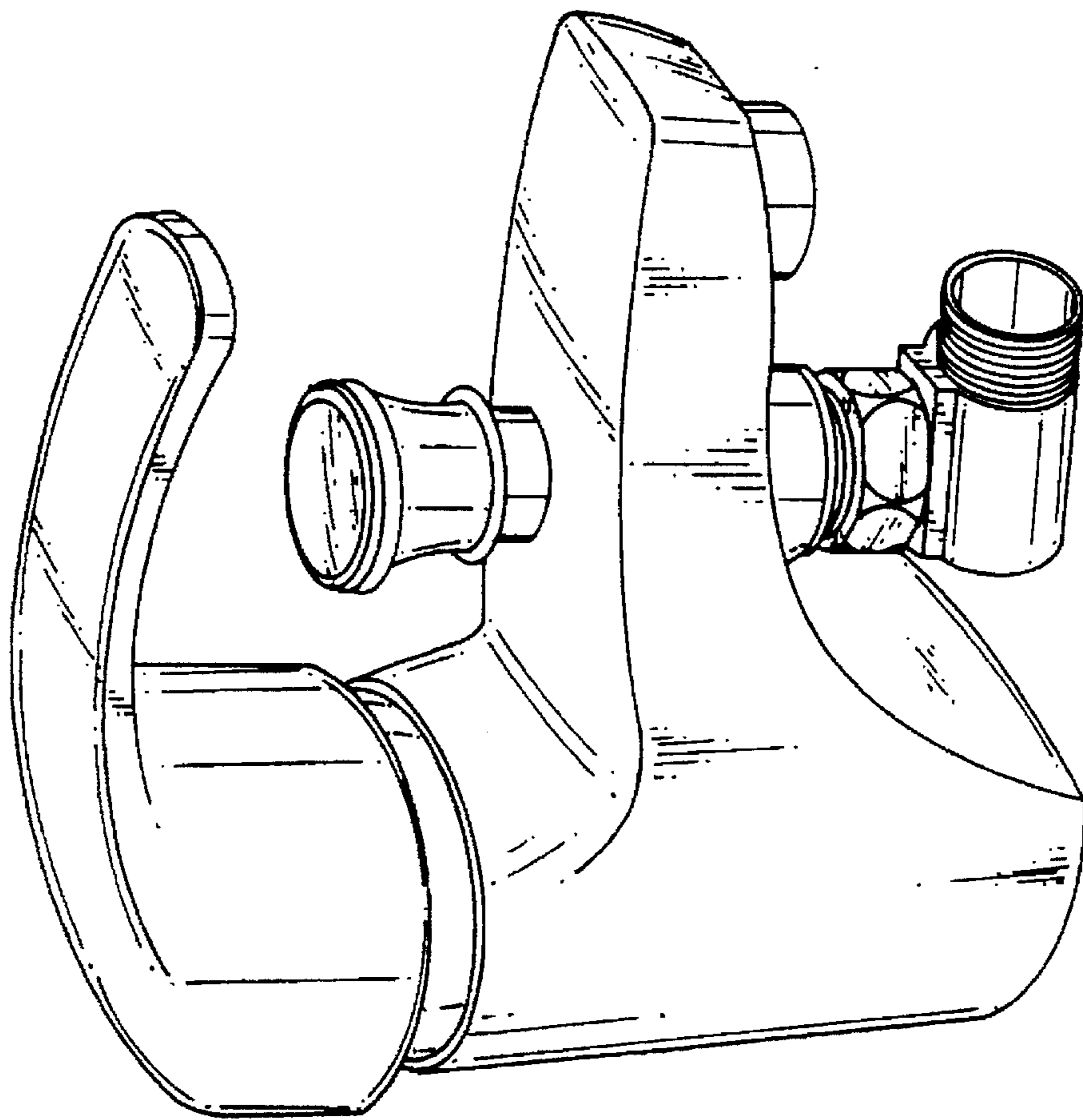


Fig. 1

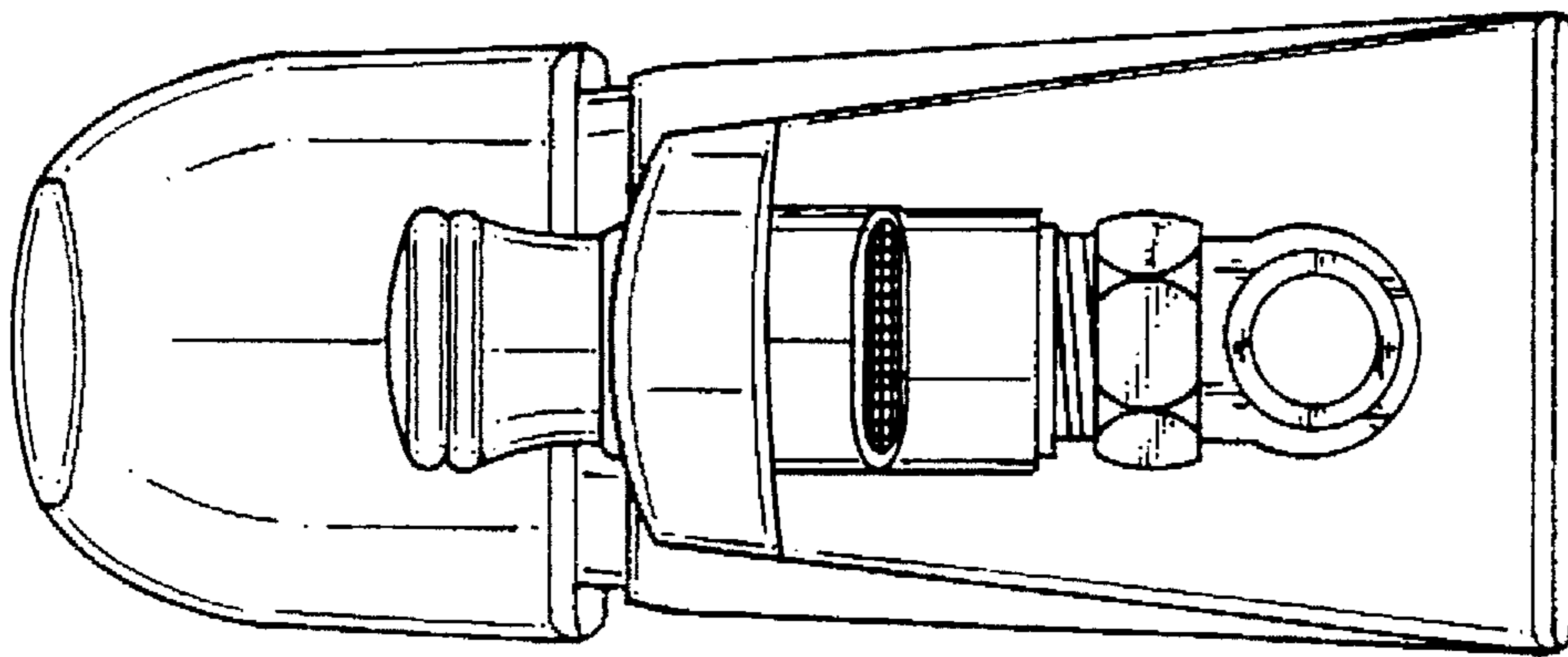


Fig. 2

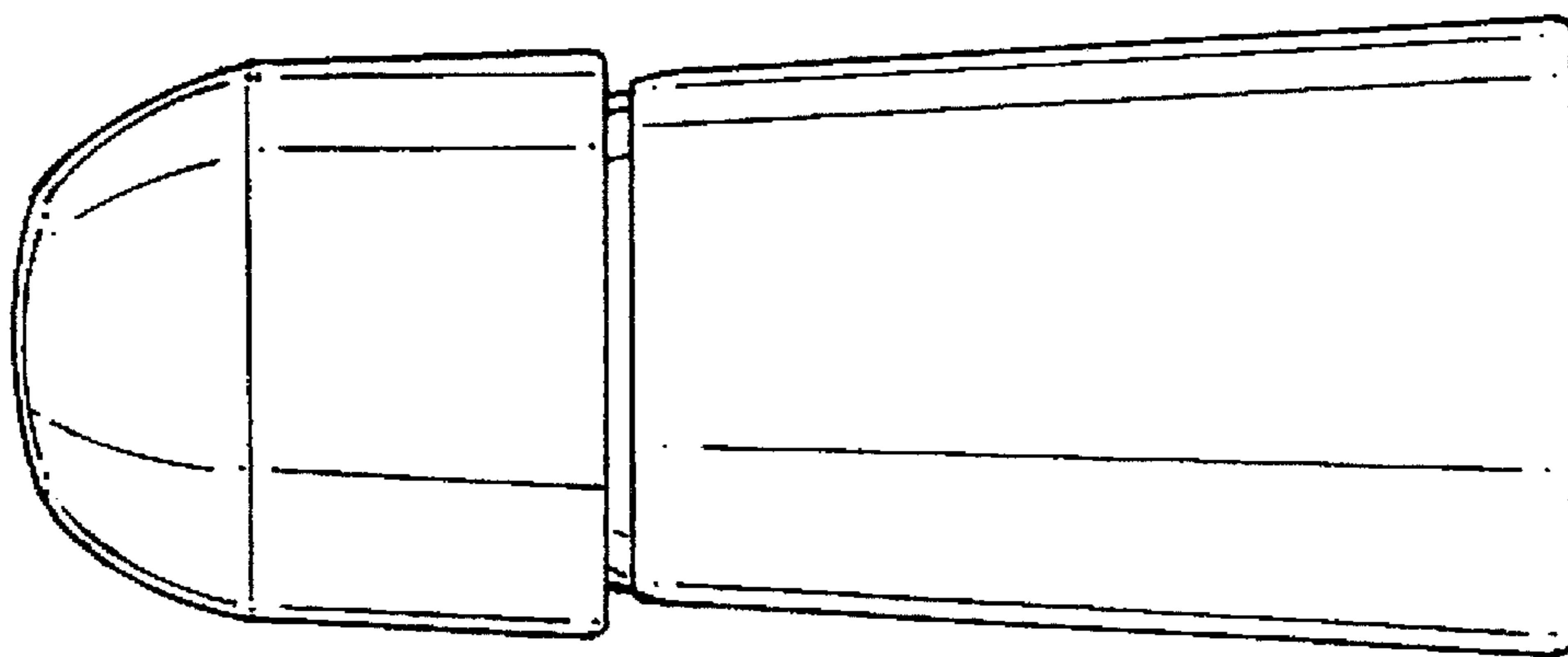


Fig. 3

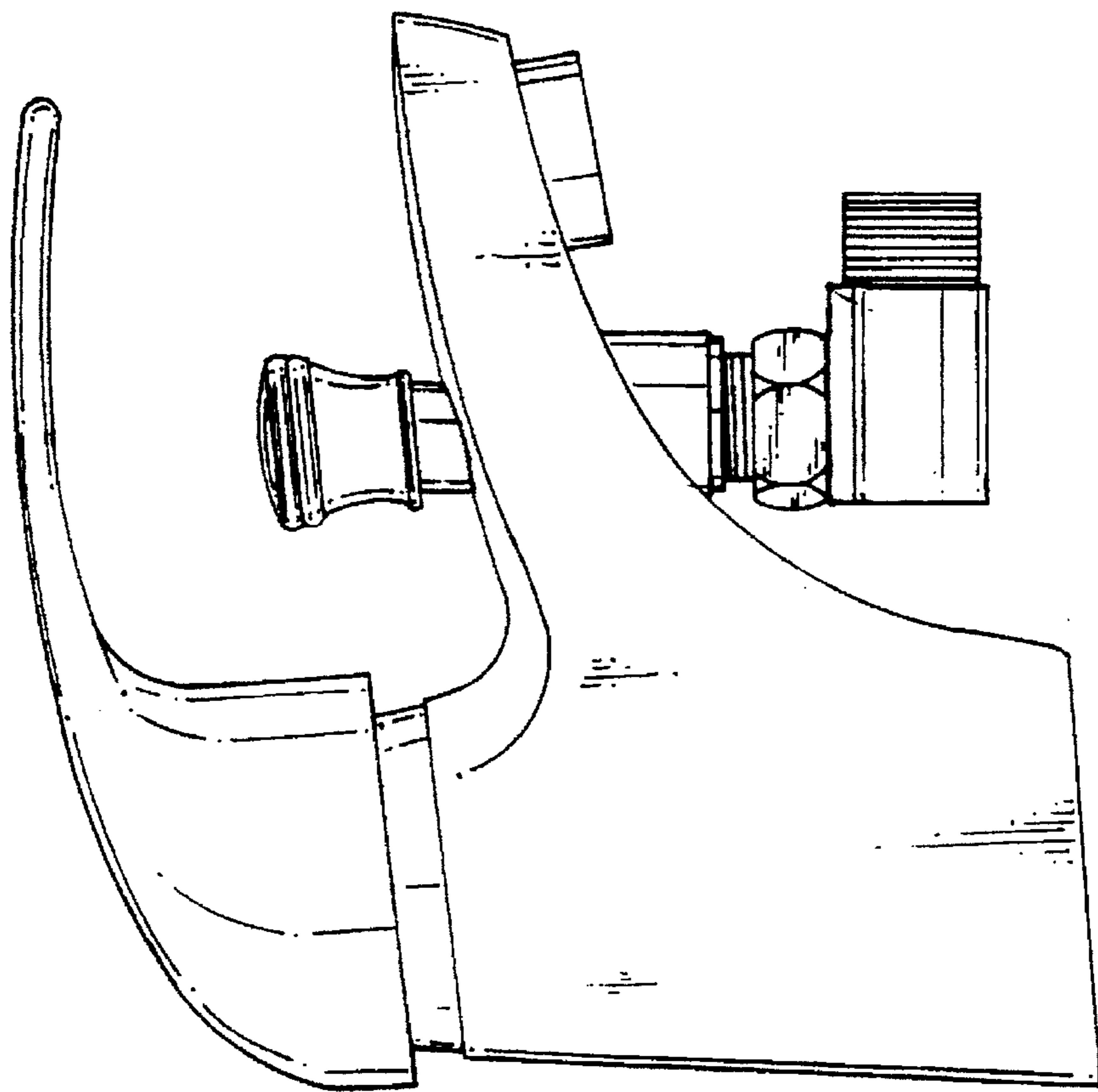


Fig. 4

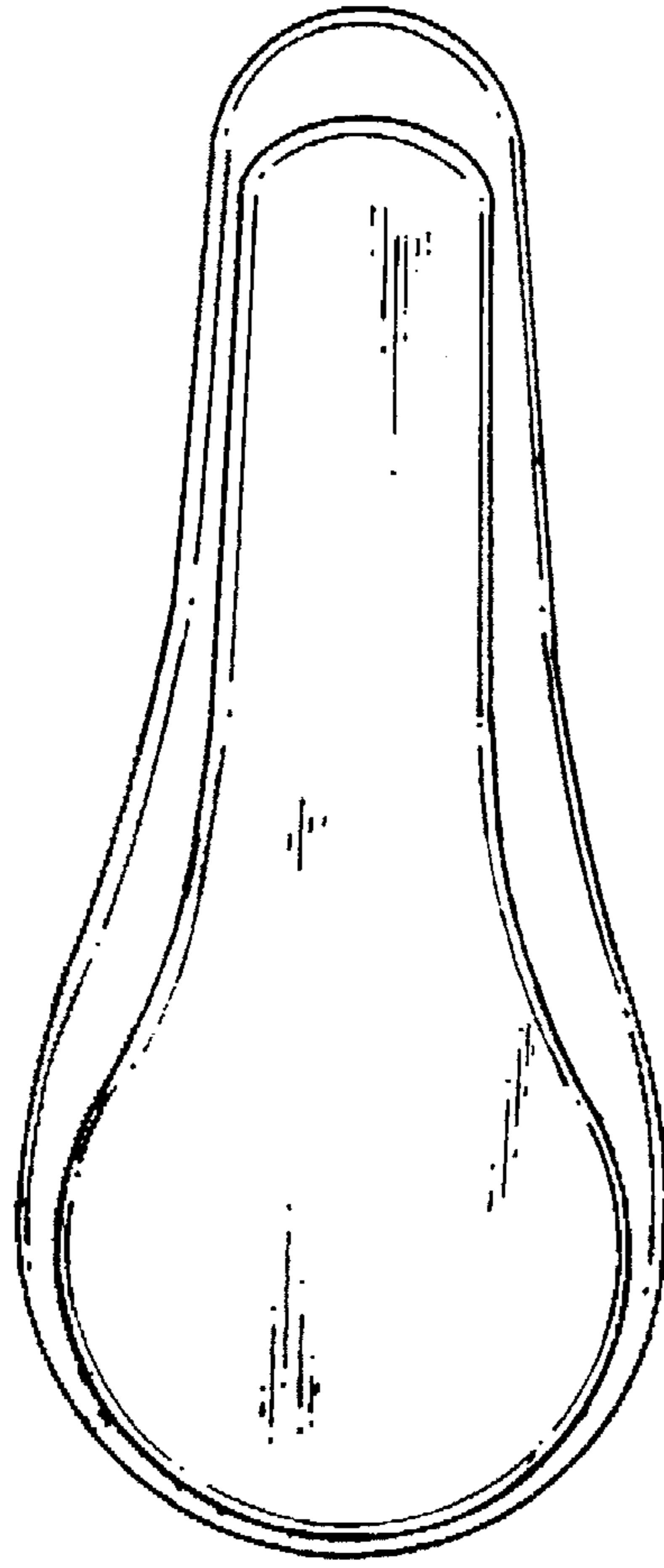


Fig. 5

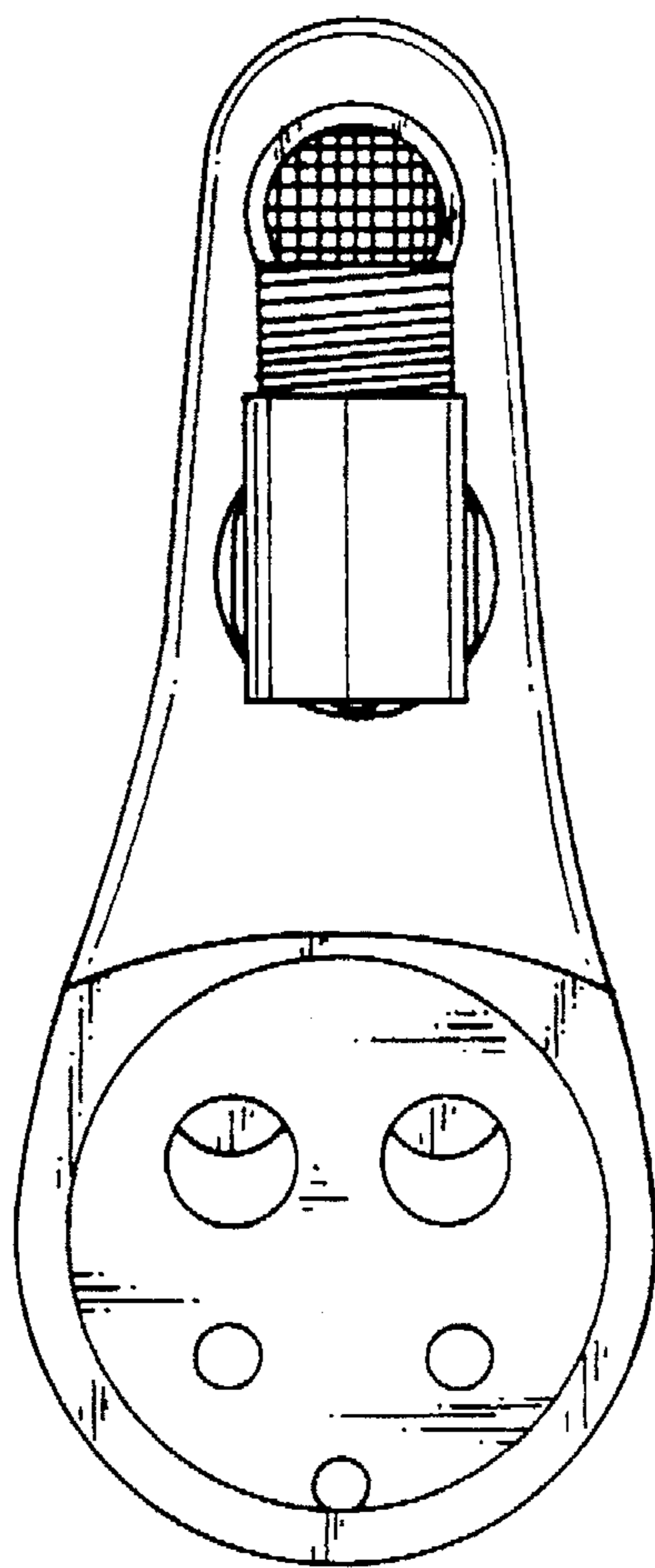


Fig. 6