



US00D382040S

United States Patent [19]

Atherton et al.

[11] Patent Number: **Des. 382,040**

[45] Date of Patent: ****Aug. 5, 1997**

[54] **SPINNING REEL**

[75] Inventors: **Randy Lee Atherton**, Tulsa, Okla.;
Young Kang, Seoul, Rep. of Korea;
Richard J. Robbins, Derby, Kans.

[73] Assignee: **Zebco Division of Brunswick Corp.**,
Tulsa, Okla.

[**] Term: **14 Years**

[21] Appl. No.: **44,763**

[22] Filed: **Sep. 29, 1995**

[51] LOC (6) Cl. **22-05**

[52] U.S. Cl. **D22/141**

[58] Field of Search **D22/141; 242/224,**
242/230, 231, 232, 233, 245, 246, 247,
248

[56] **References Cited**

U.S. PATENT DOCUMENTS

D. 281,346 11/1985 Inuma et al. D22/141

D. 352,765 11/1994 Onishi D22/141
4,881,699 11/1989 Emura D22/141 X
4,921,188 5/1990 Smith D22/141 X

Primary Examiner—Doris V. Coles
Attorney, Agent, or Firm—Wood, Phillips, VanSanten, Clark
& Mortimer

[57] **CLAIM**

The ornamental design for a spinning reel, shown and described.

DESCRIPTION

FIG. 1 is a front, top and left side perspective view of our spinning reel showing our new design;
FIG. 2 is a left side elevation view thereof;
FIG. 3 is a right side elevation view thereof;
FIG. 4 is a bottom view thereof;
FIG. 5 is a plan view thereof;
FIG. 6 is a front elevation view thereof; and,
FIG. 7 is a rear elevation view thereof.

1 Claim, 3 Drawing Sheets

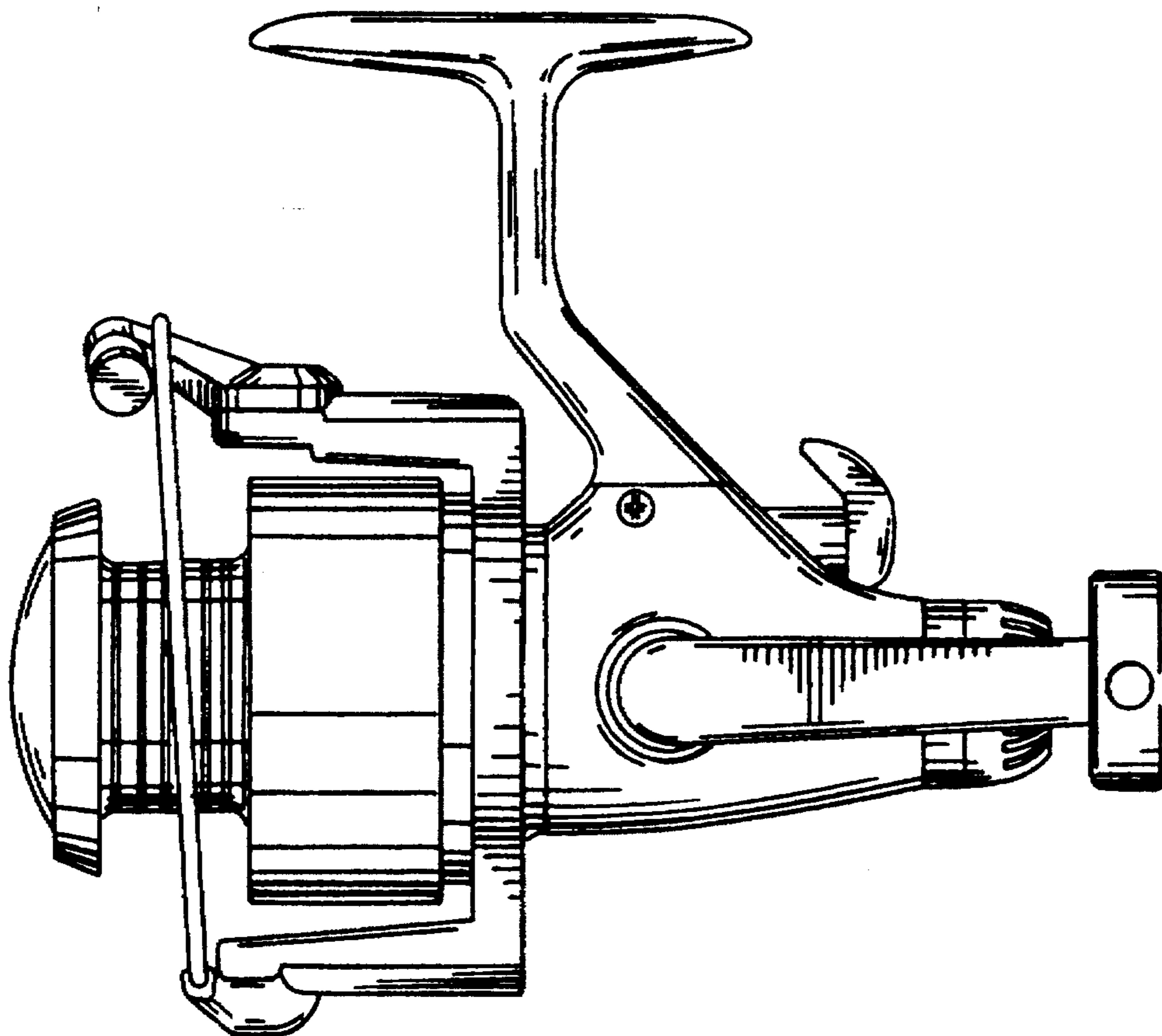


FIG. 1

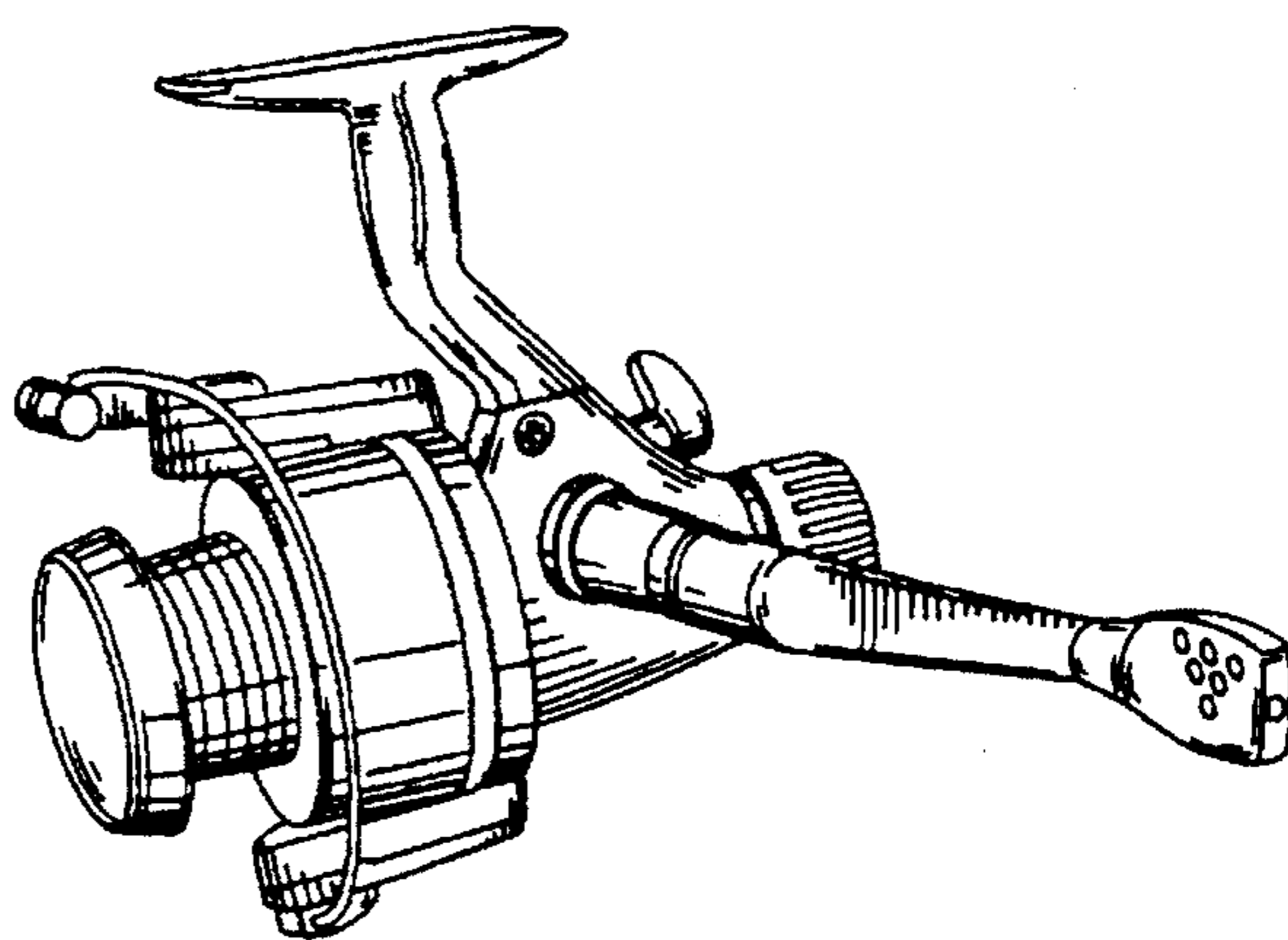


FIG. 2

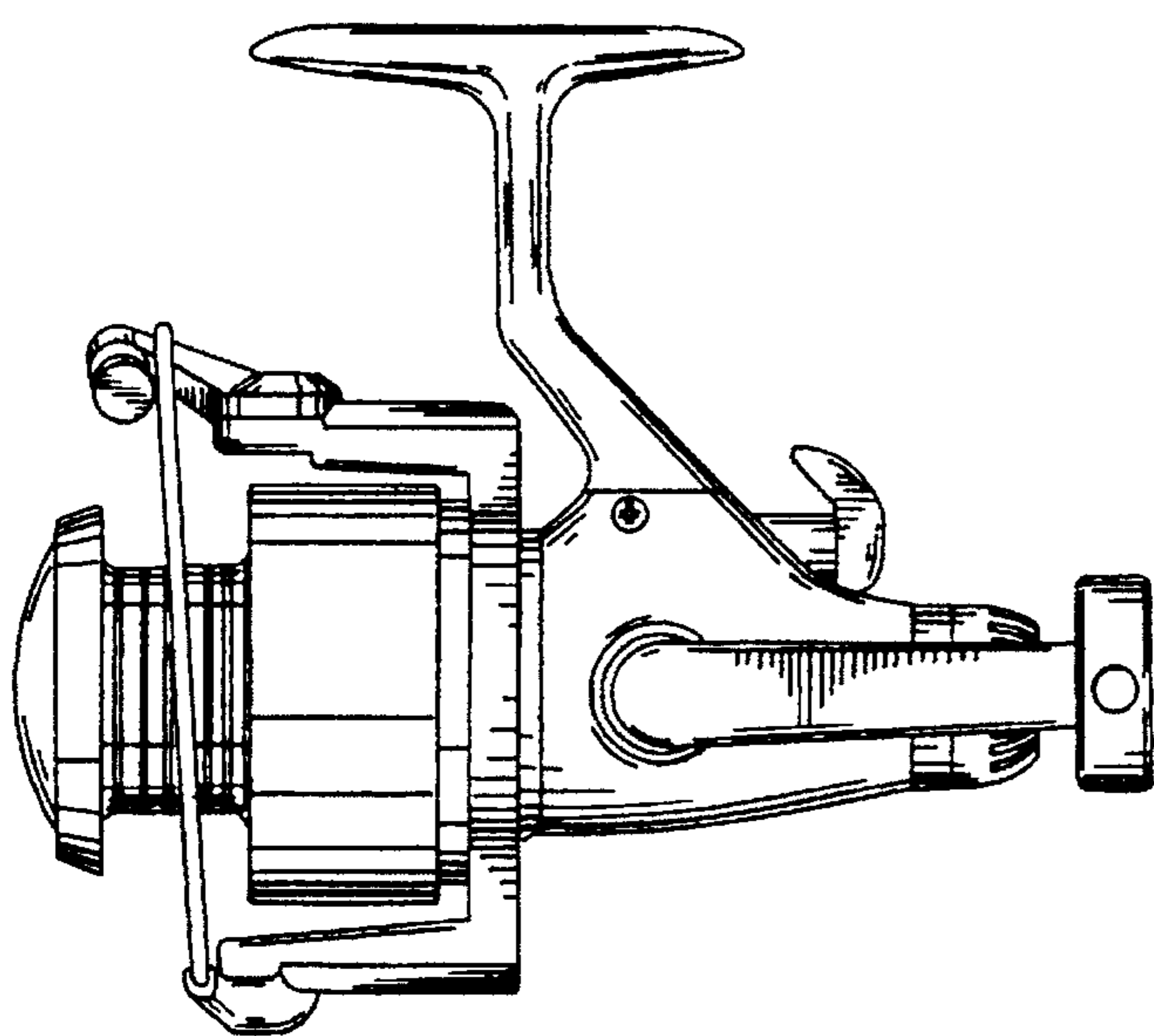
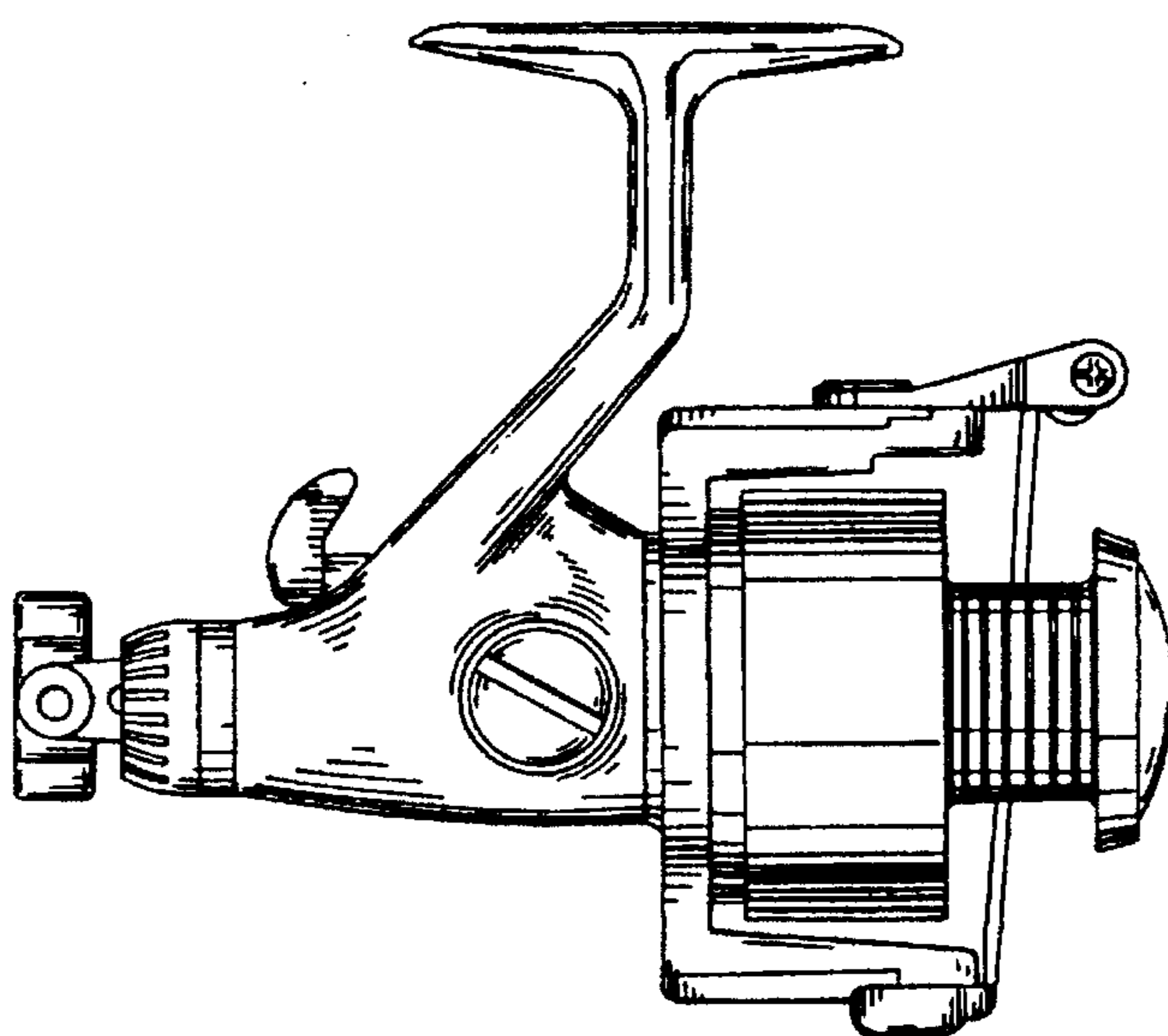


FIG. 3



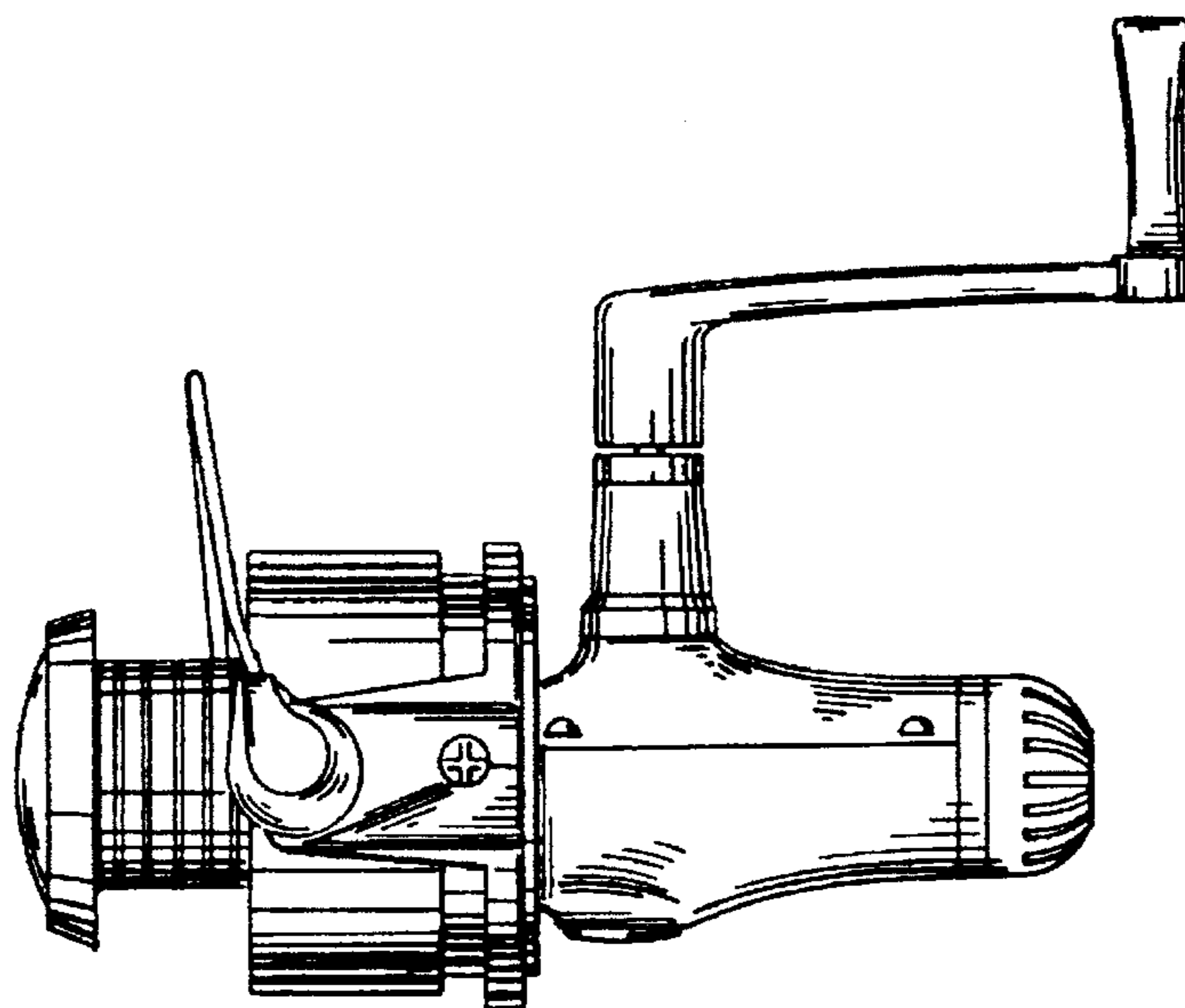


FIG. 4

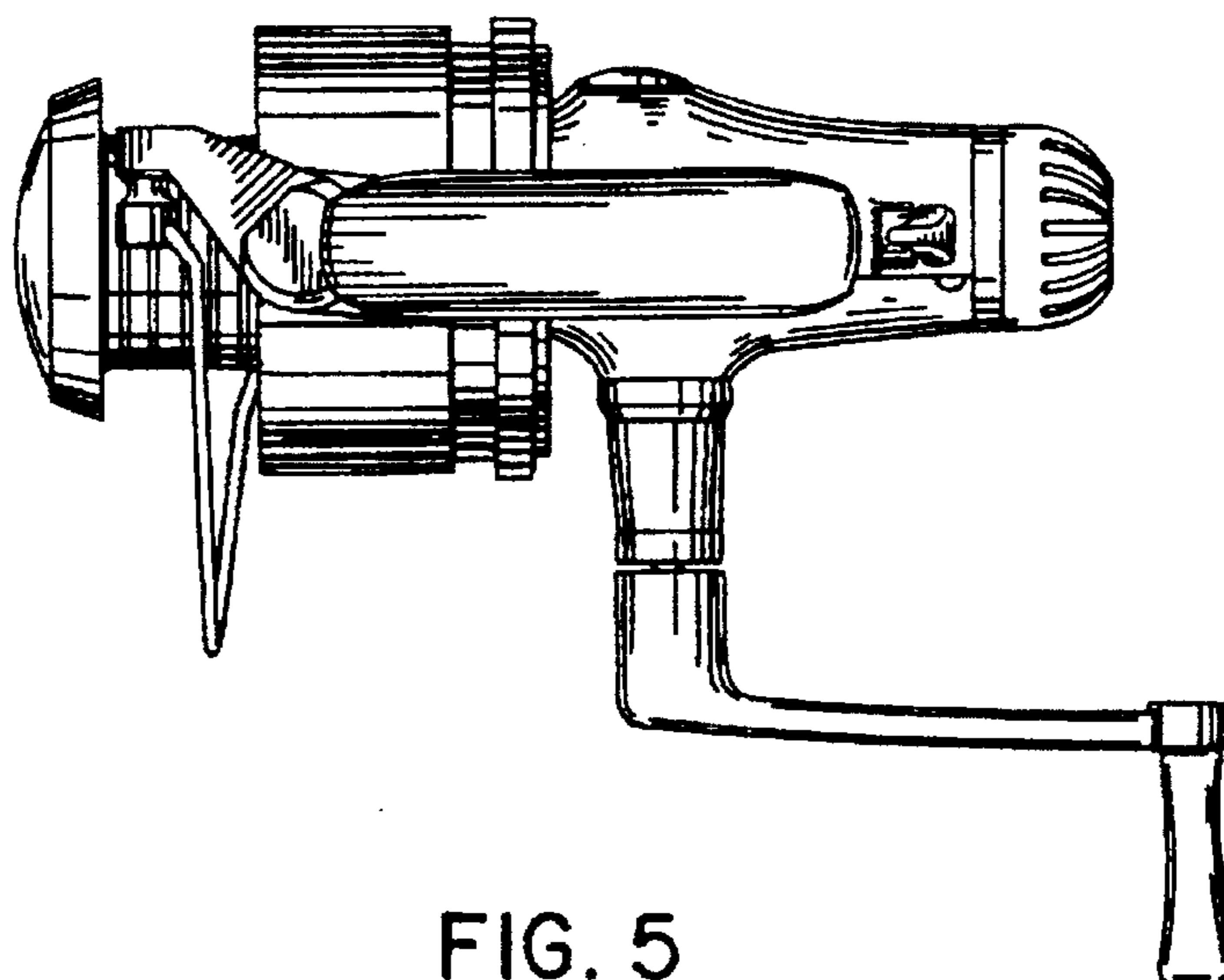


FIG. 5

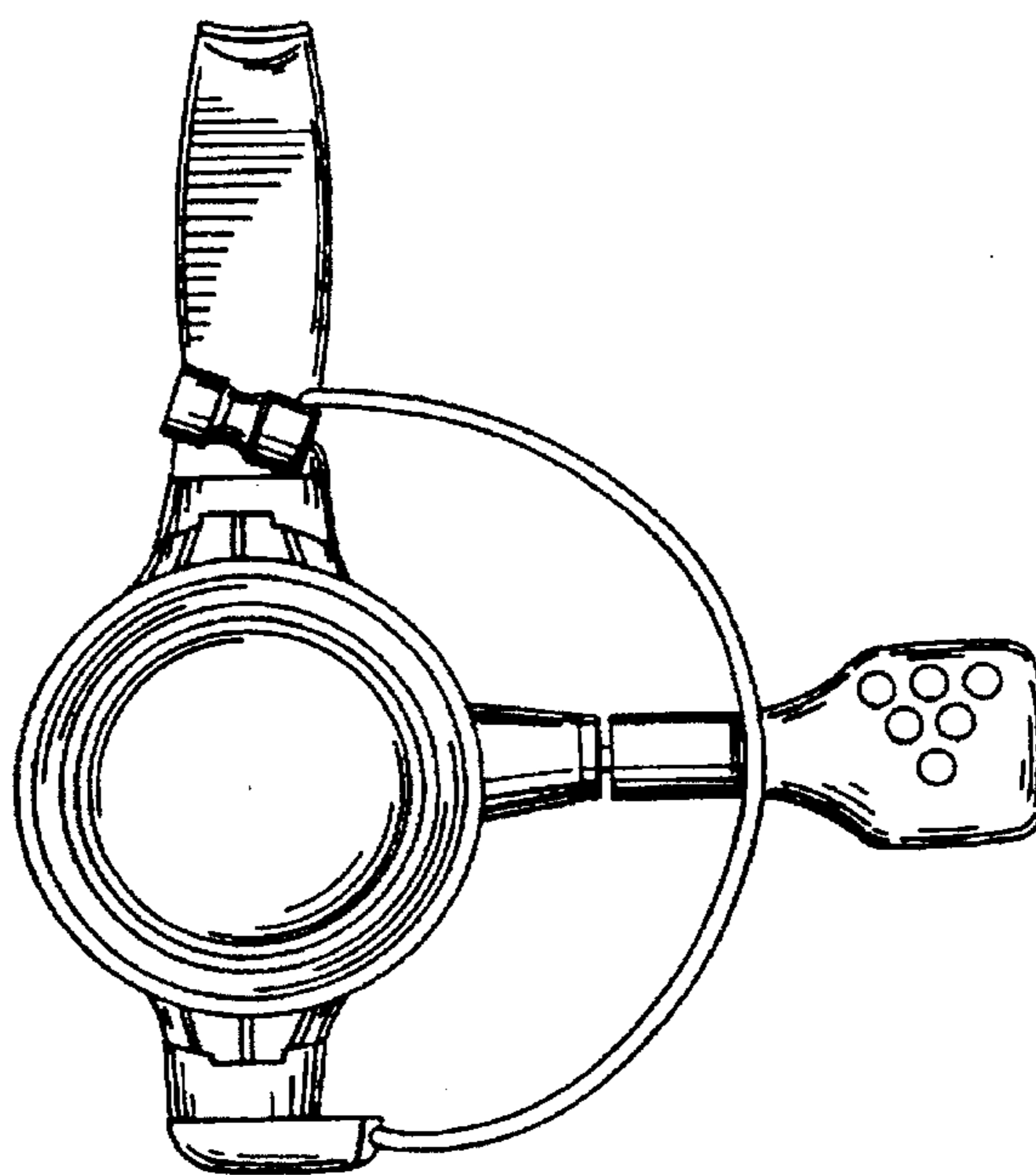


FIG. 6

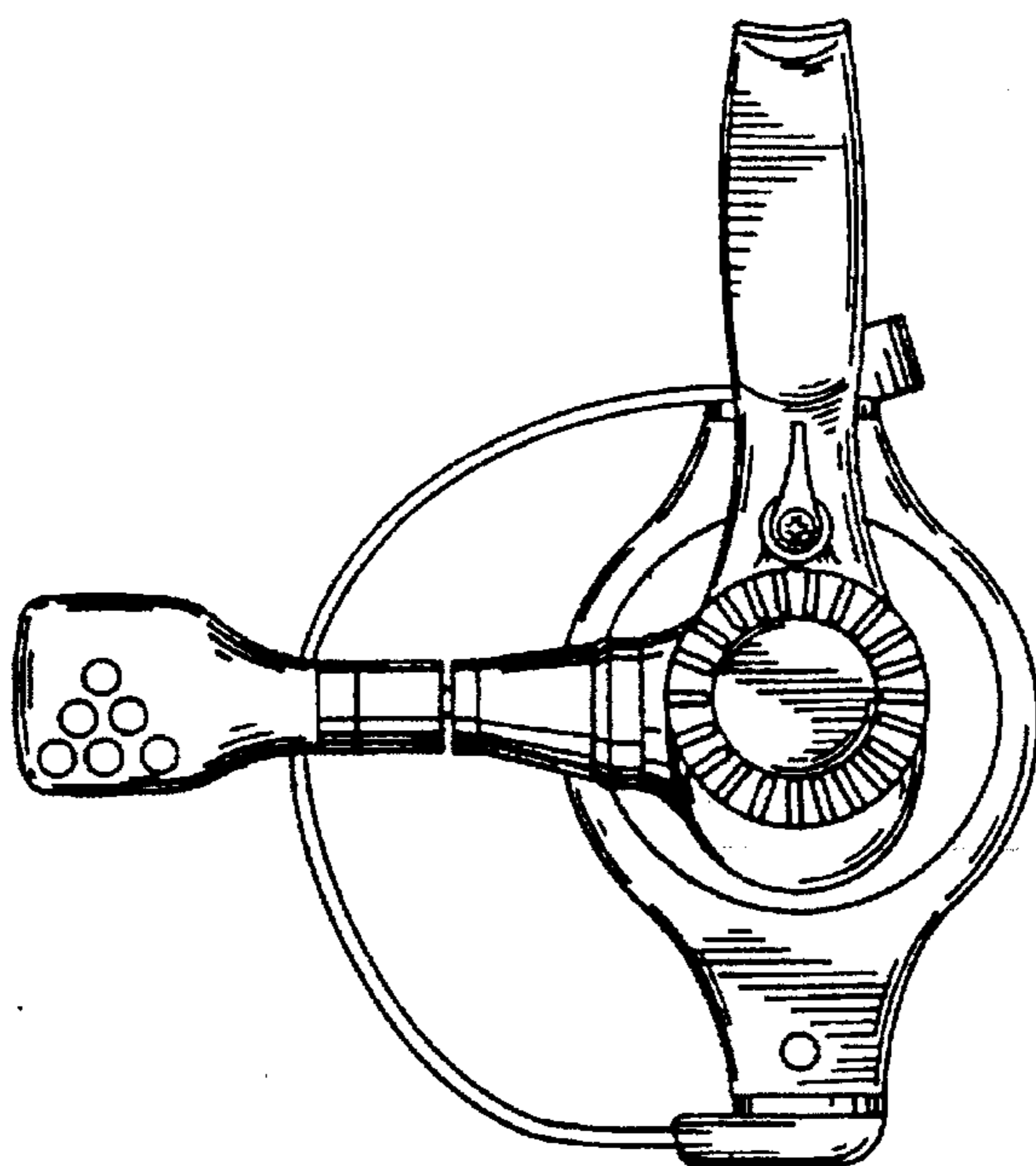


FIG. 7