



US00D382039S

United States Patent [19]

[11] Patent Number: **Des. 382,039**

Zyra

[45] Date of Patent: ****Aug. 5, 1997**

[54] **MOUSE TRAP WITH RAMP AND SPINNING BAIT BOBBIN**

3,778,923	12/1973	Cuoco	43/69
4,662,101	5/1987	Fisher	D22/119 X
5,517,784	5/1996	Sedore	43/69
5,528,852	6/1996	Sarff	43/69 X

[76] Inventor: **Thomas Joseph Zyra**, 216 Euclid Ave., Glassport, Pa. 15045

Primary Examiner—Doris V. Coles

[**] Term: **14 Years**

[57] **CLAIM**

[21] Appl. No.: **52,511**

The ornamental design for a mouse trap with ramp and spinning bait bobbin, as shown and described.

[22] Filed: **Apr. 1, 1996**

DESCRIPTION

[51] LOC (6) Cl. **22-06**

[52] U.S. Cl. **D22/119**

[58] Field of Search D22/119, 122;
43/69, 71, 74, 64

FIG. 1 is a front elevational view of the mouse trap with ramp and spinning bait bobbin showing my new design; FIG. 2 is a rear elevational view thereof; FIG. 3 is a right view thereof; FIG. 4 is a left view thereof; FIG. 5 is a top plan view thereof; FIG. 6 is a bottom plan view thereof; and, FIG. 7 is a cross-sectional view taken vertically at line 7—7 of FIG. 5.

The broken line showing of environment of FIG. 7 is for illustrative purposes only and forms no part of the claimed design.

[56] **References Cited**

U.S. PATENT DOCUMENTS

1,050,220	1/1913	Link	43/71
1,820,579	8/1931	Nakagawa	43/69
2,234,983	3/1941	Russell	43/69
2,374,691	5/1945	Middleton	43/69
2,579,093	12/1951	Roesner	43/69
2,775,844	1/1957	Barnes	43/69
2,825,995	3/1958	Snider	43/69

1 Claim, 4 Drawing Sheets

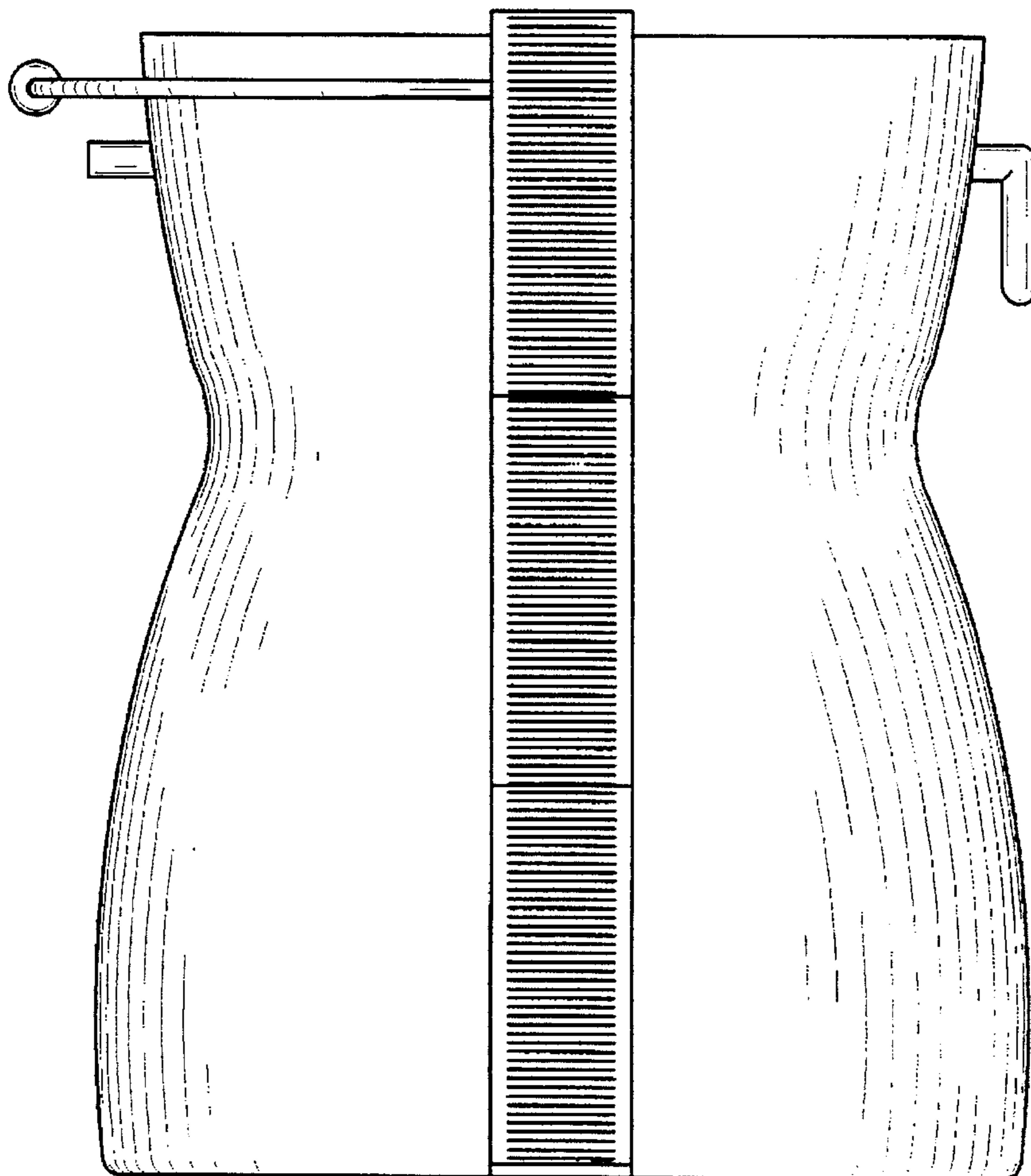


FIG. 1

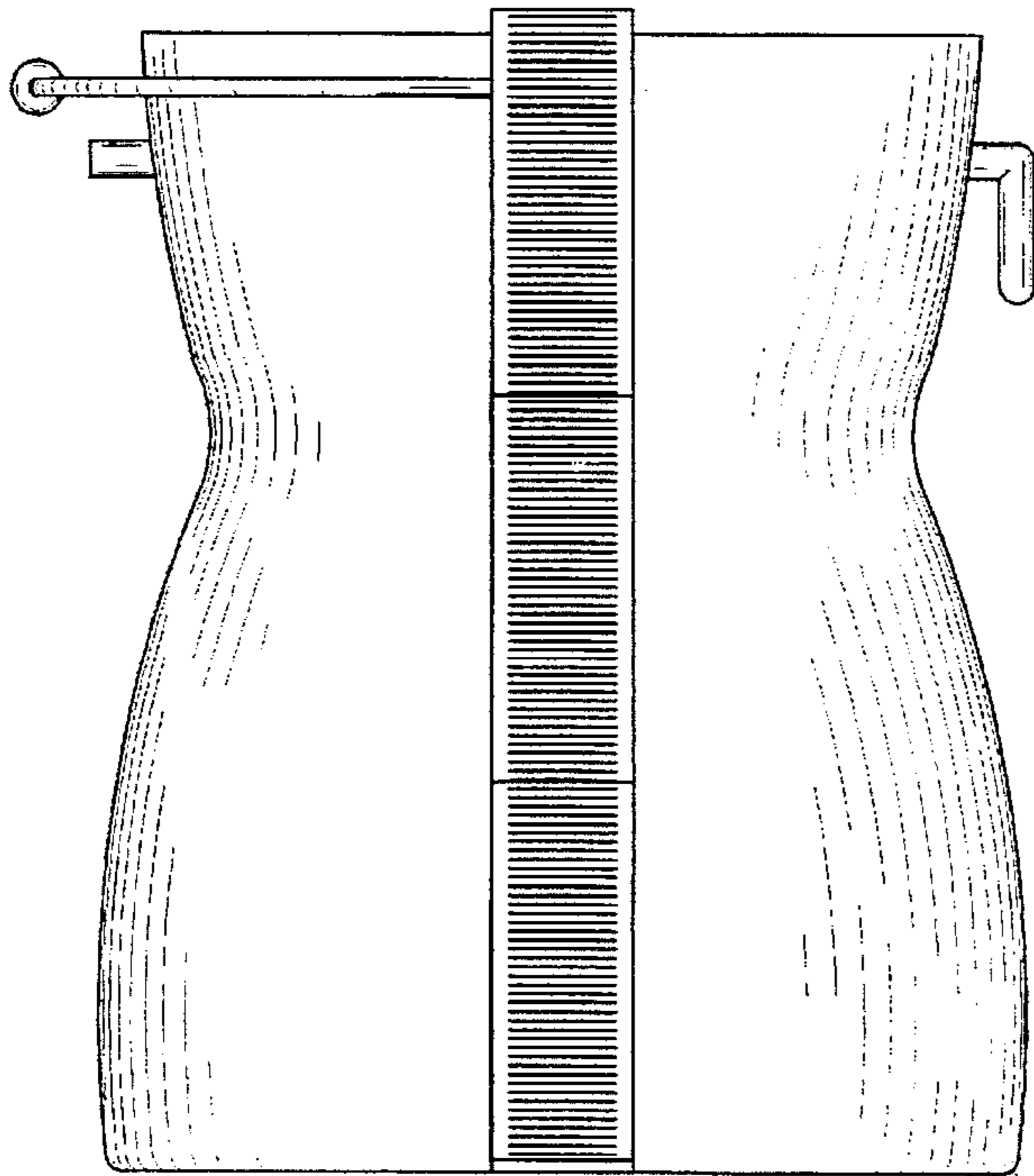


FIG. 2

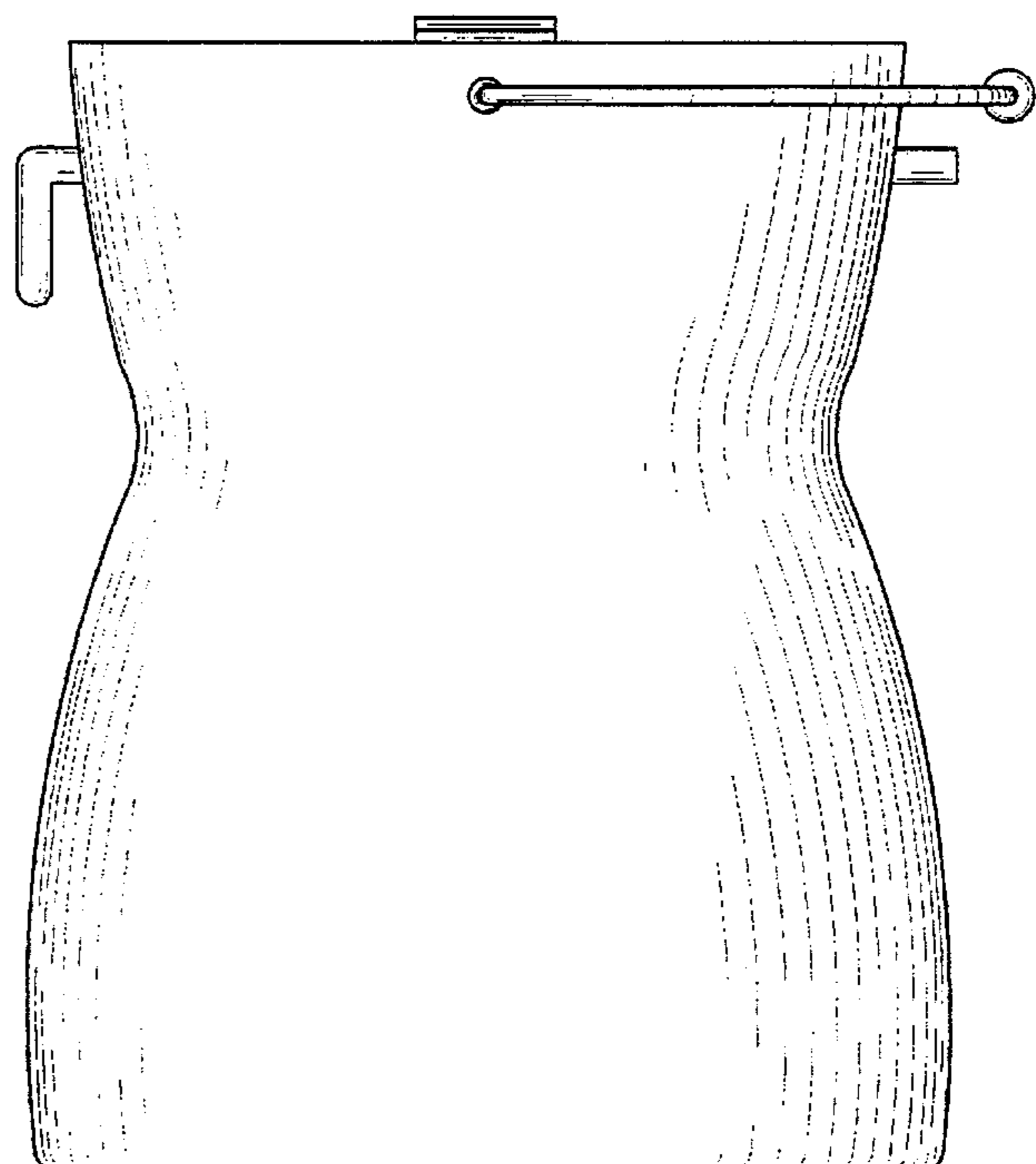


FIG. 3

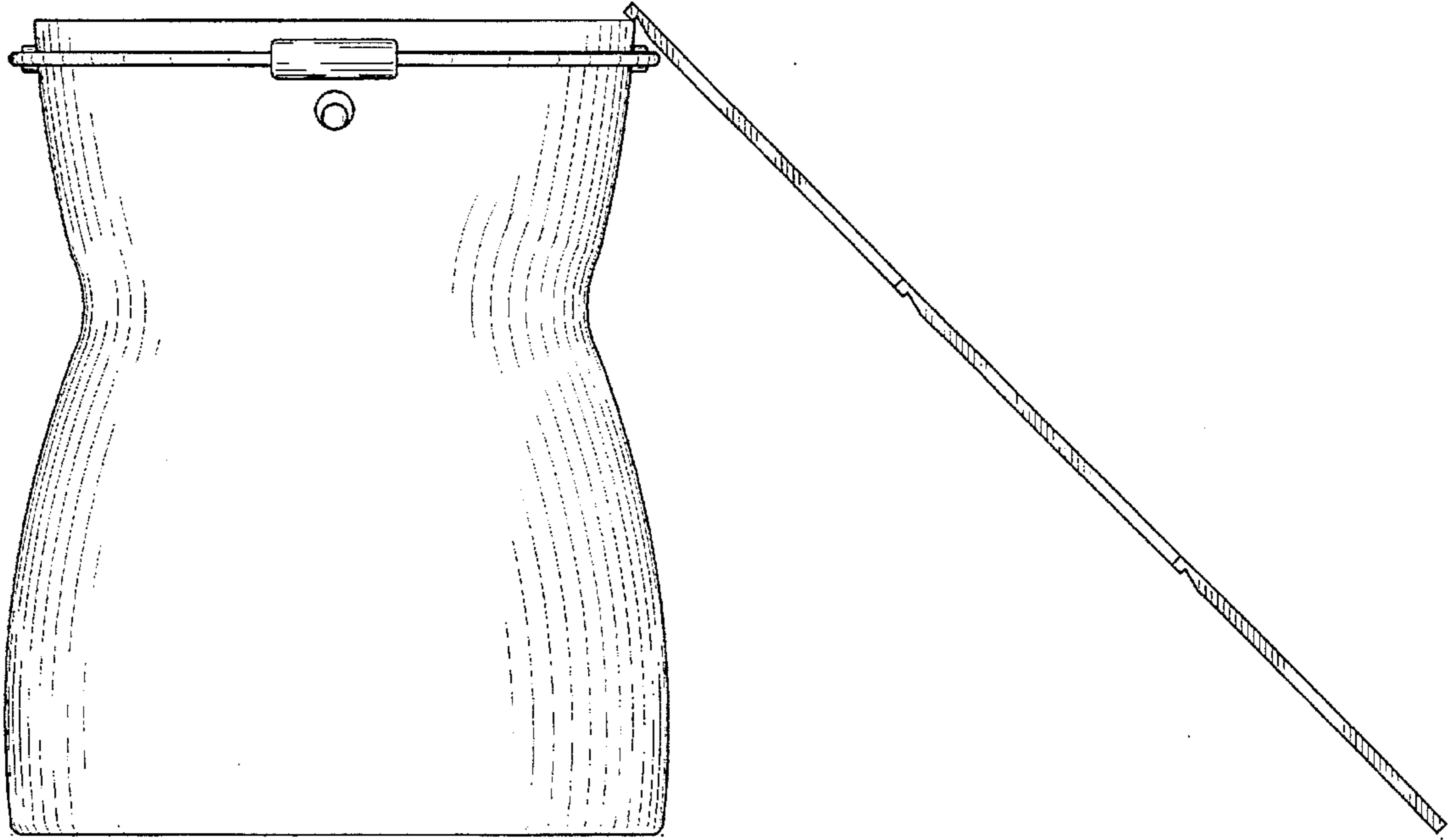


FIG. 4

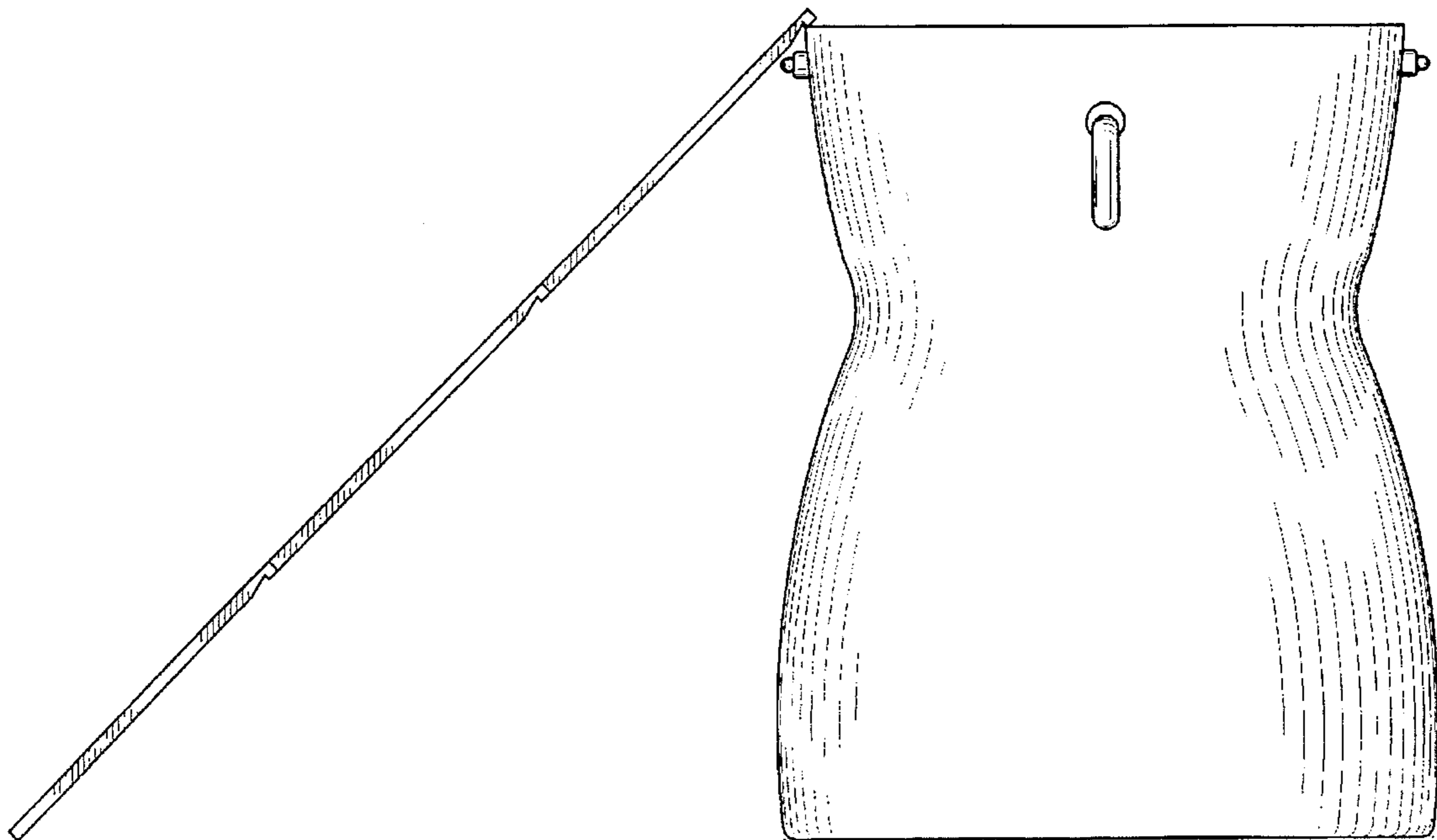


FIG. 5

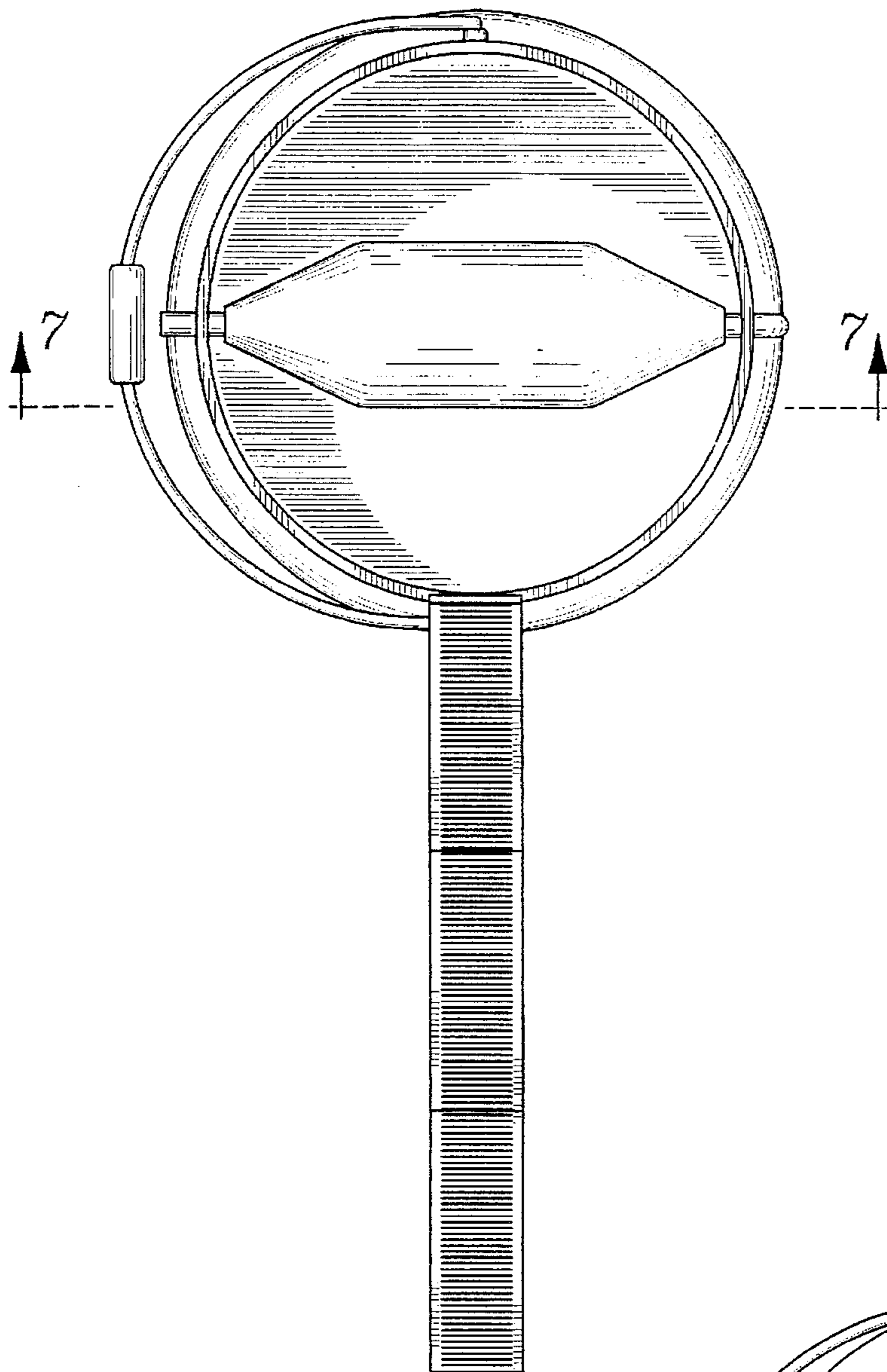


FIG. 6

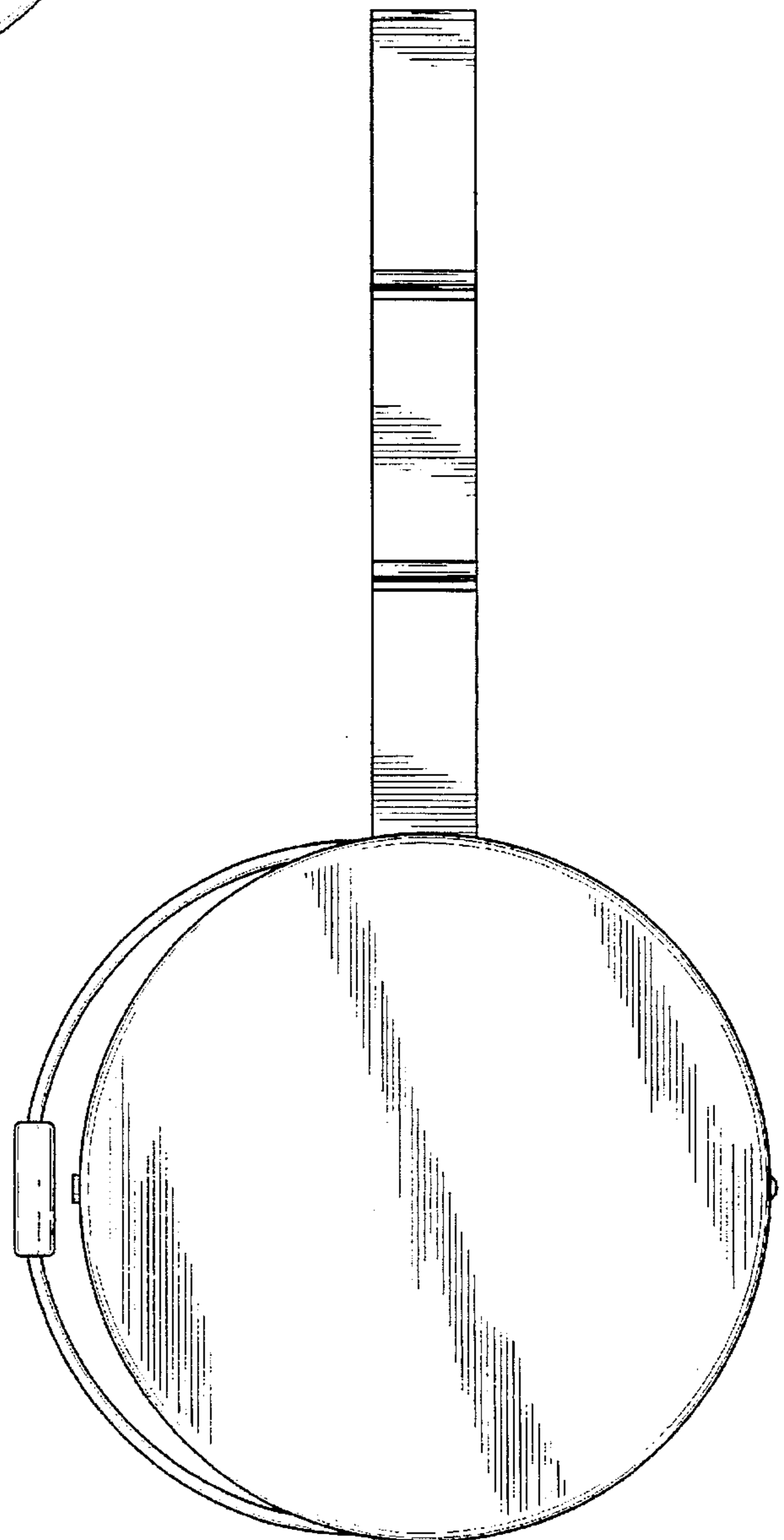


FIG. 7

